



US00D338958S

United States Patent [19]

[11] Patent Number: **Des. 338,958**

Jensen

[45] Date of Patent: **** Aug. 31, 1993**

[54] **HAND-HELD CONTROLLER FOR A THREE-Dimensionally ARTICULATED MEDICAL-INDUSTRIAL INVASIVE PROBE SYSTEM**

4,633,882 1/1987 Matsuo et al. 128/662.06
4,748,969 6/1988 Wardle 128/4
4,834,102 5/1989 Schwarzchild et al. 128/662.06

[75] Inventor: **Ted Jensen, Scottsdale, Ariz.**

Primary Examiner—Stella Reid
Attorney, Agent, or Firm—Gary A. Samuels

[73] Assignee: **W. L. Gore & Associates, Inc., Newark, Del.**

[57] **CLAIM**

The ornamental design for a hand-held controller for a three-dimensionally articulated medical-industrial invasive probe system, as shown and described.

[**] Term: **14 Years**

[21] Appl. No.: **556,699**

DESCRIPTION

[22] Filed: **Jul. 20, 1990**

[52] U.S. Cl. **D24/133; D24/137; D24/136**

FIG. 1 is a perspective view of a hand-held controller for a three-dimensionally articulated medical-industrial invasive probe system, showing my new design;

[58] Field of Search **D24/186, 144, 138, 133; 128/4, 6, 662.06, 660.09, 397, 662.03, 662.02, 635, 804; 606/27, 28**

FIG. 2 is a side elevational view thereof, the opposite side elevational view being identical thereto;

FIG. 3 is a top plan view thereof;

FIG. 4 is a bottom plan view thereof;

FIG. 5 is a front elevational view thereof; and,

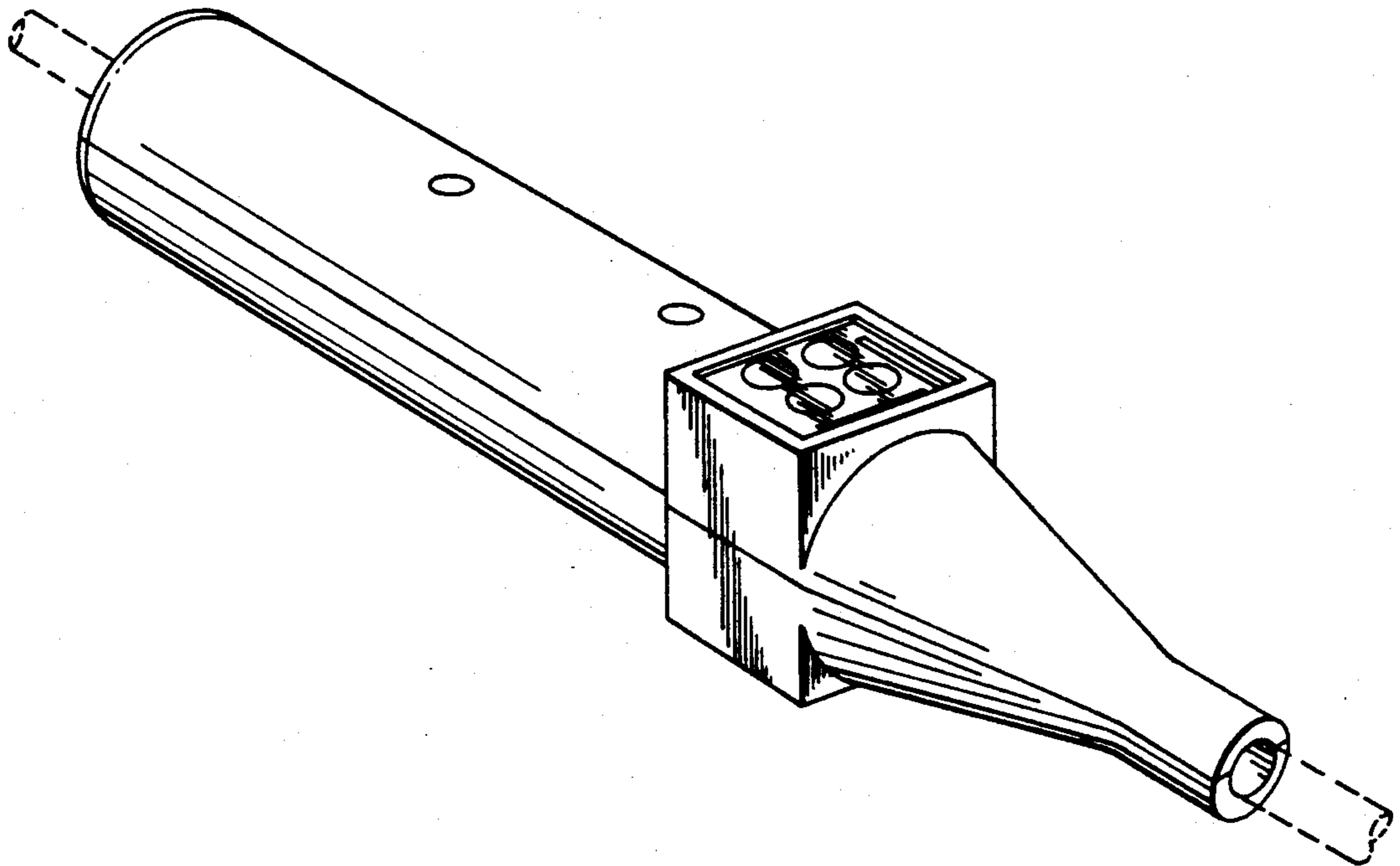
FIG. 6 is a rear elevational view thereof.

[56] **References Cited**

U.S. PATENT DOCUMENTS

4,530,568 7/1985 Haduch et al. 128/6 X

The broken line showing in FIGS. 1-4 is for illustrative purposes only and forms no part of the claimed design.



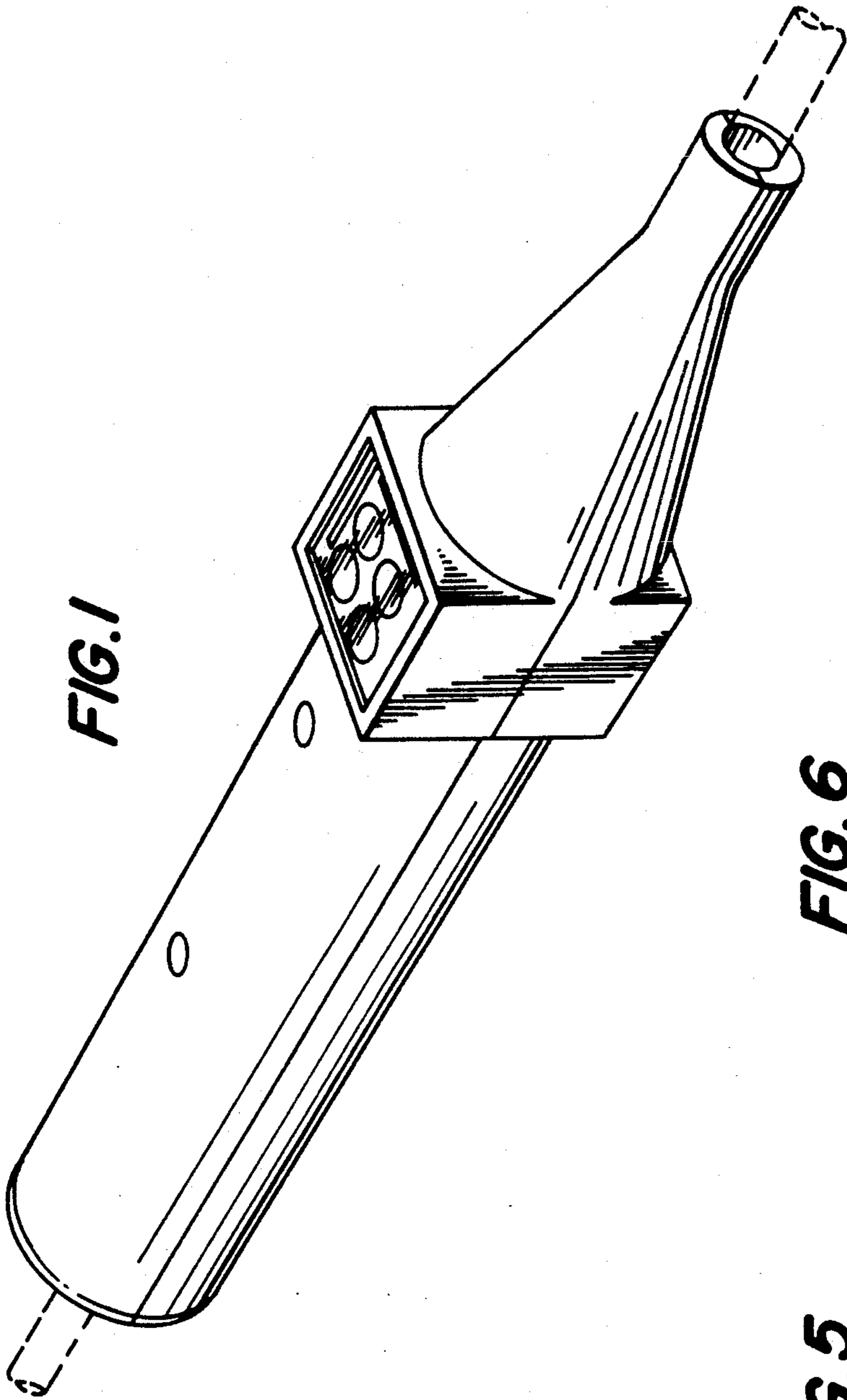


FIG. 1

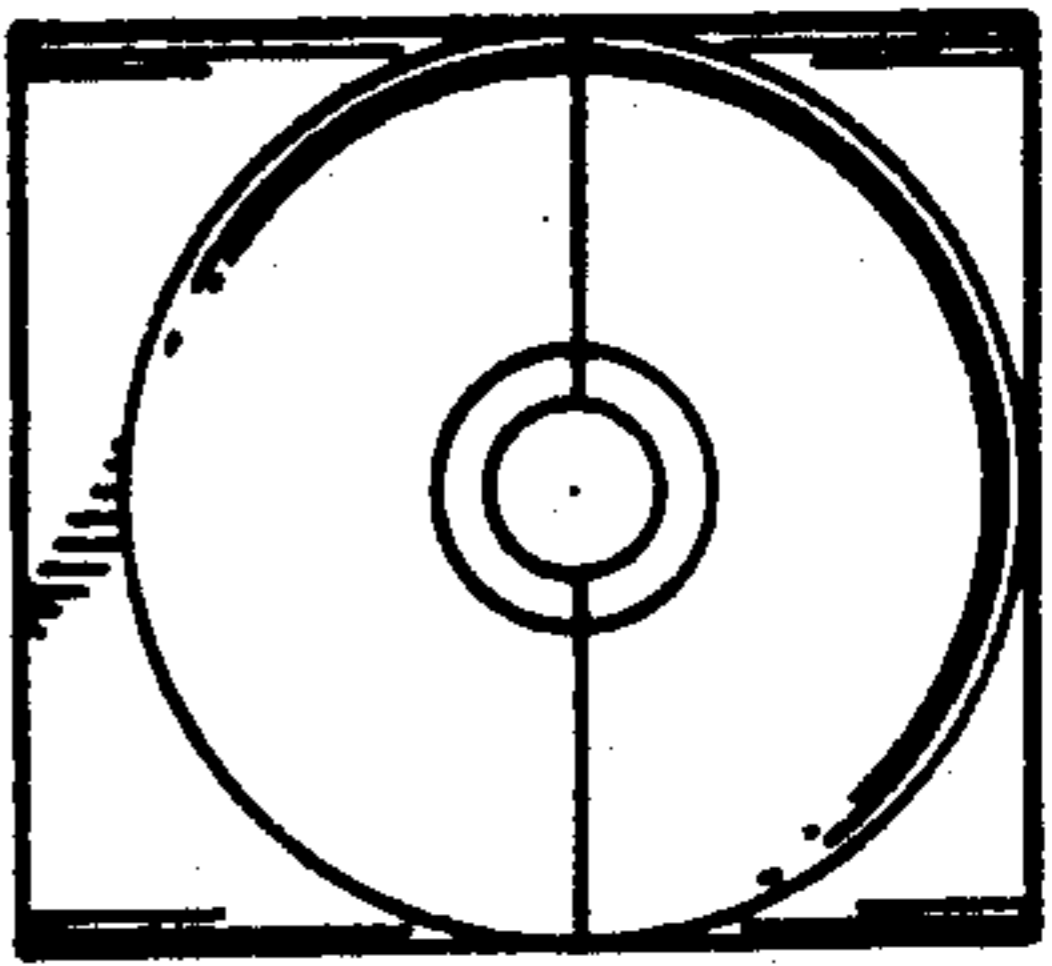


FIG. 6

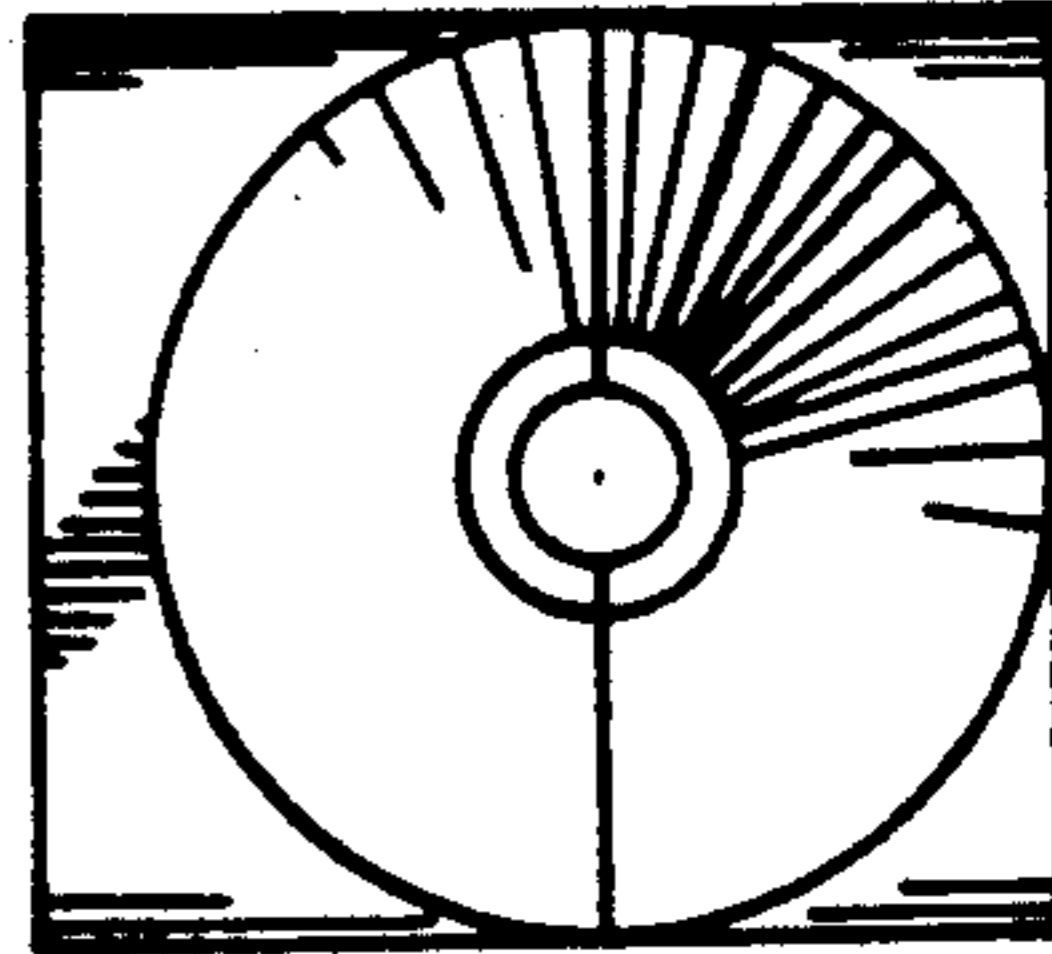


FIG. 5

