



US00D338957S

United States Patent [19]
de Faire et al.

[11] **Patent Number: Des. 338,957**

[45] **Date of Patent: ** Aug. 31, 1993**

[54] **DISPOSABLE SYRINGE**

[76] **Inventors: Johan de Faire, Hemdala varv, S-591 94 Motala; Bengt Ågerup, Hävelvägen 6, S-756 47 Uppsala, both of Sweden**

[**] **Term: 14 Years**

[21] **Appl. No.: 700,650**

[22] **Filed: May 15, 1991**

[30] **Foreign Application Priority Data**

Nov. 19, 1990 [SE] Sweden 90 2473

[52] **U.S. Cl. D24/130; D24/112**

[58] **Field of Search D24/112, 114, 130; 604/187, 214, 218, 203, 228, 220**

[56] **References Cited**

U.S. PATENT DOCUMENTS

D. 323,391 1/1992 Payne et al. D24/130

2,972,991 2/1961 Burke 604/228 X
3,985,122 10/1976 Topham 604/228 X
5,066,281 11/1991 Stevenson-Michener 604/218 X
5,115,816 5/1992 Lee 604/187 X

FOREIGN PATENT DOCUMENTS

8912475 12/1989 PCT Int'l Appl. 604/195

Primary Examiner—A. Hugo Word

Assistant Examiner—Ian Simmons

Attorney, Agent, or Firm—Young & Thompson

[57] **CLAIM**

The ornamental design for a disposable syringe, as shown and described.

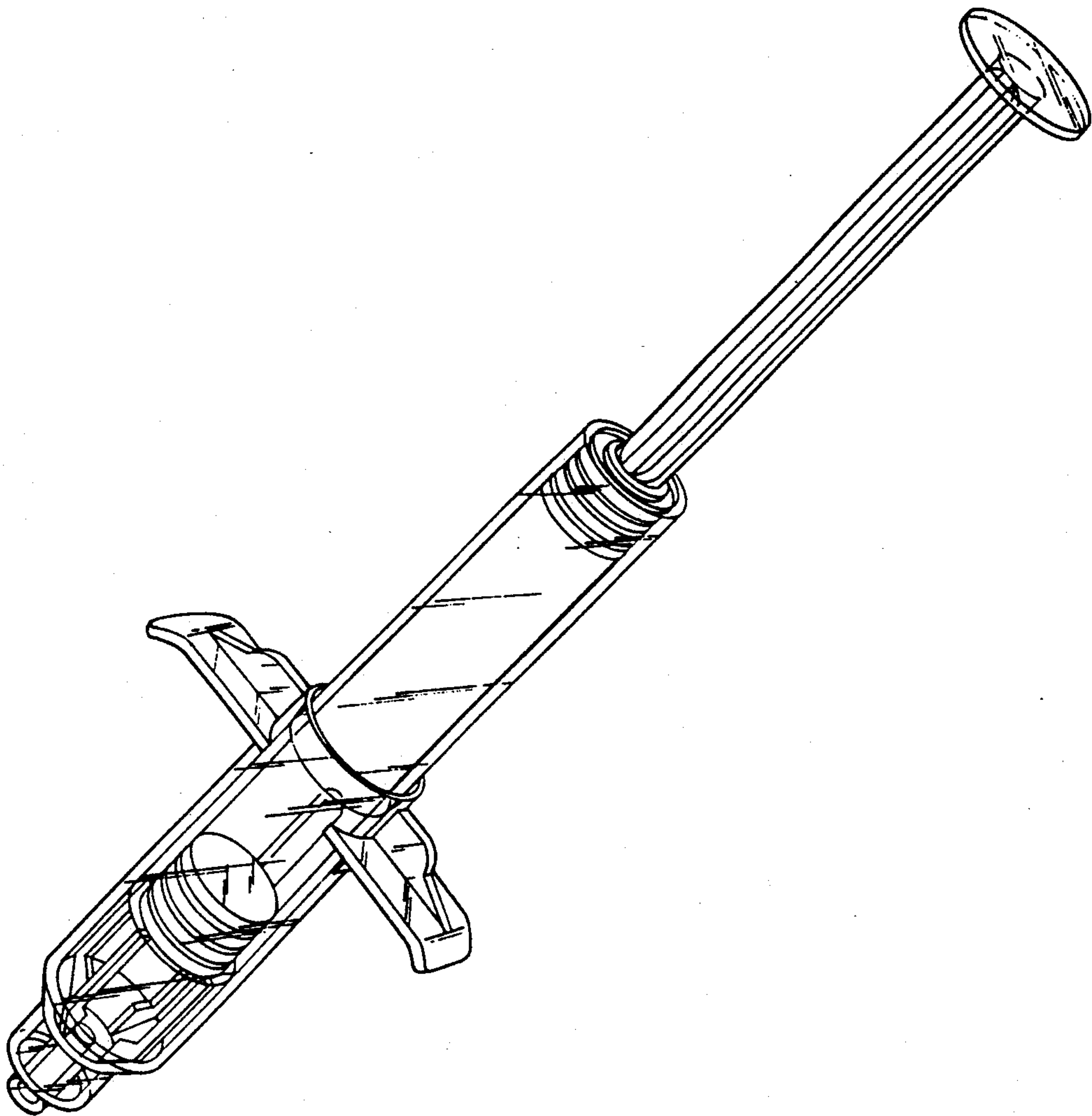
DESCRIPTION

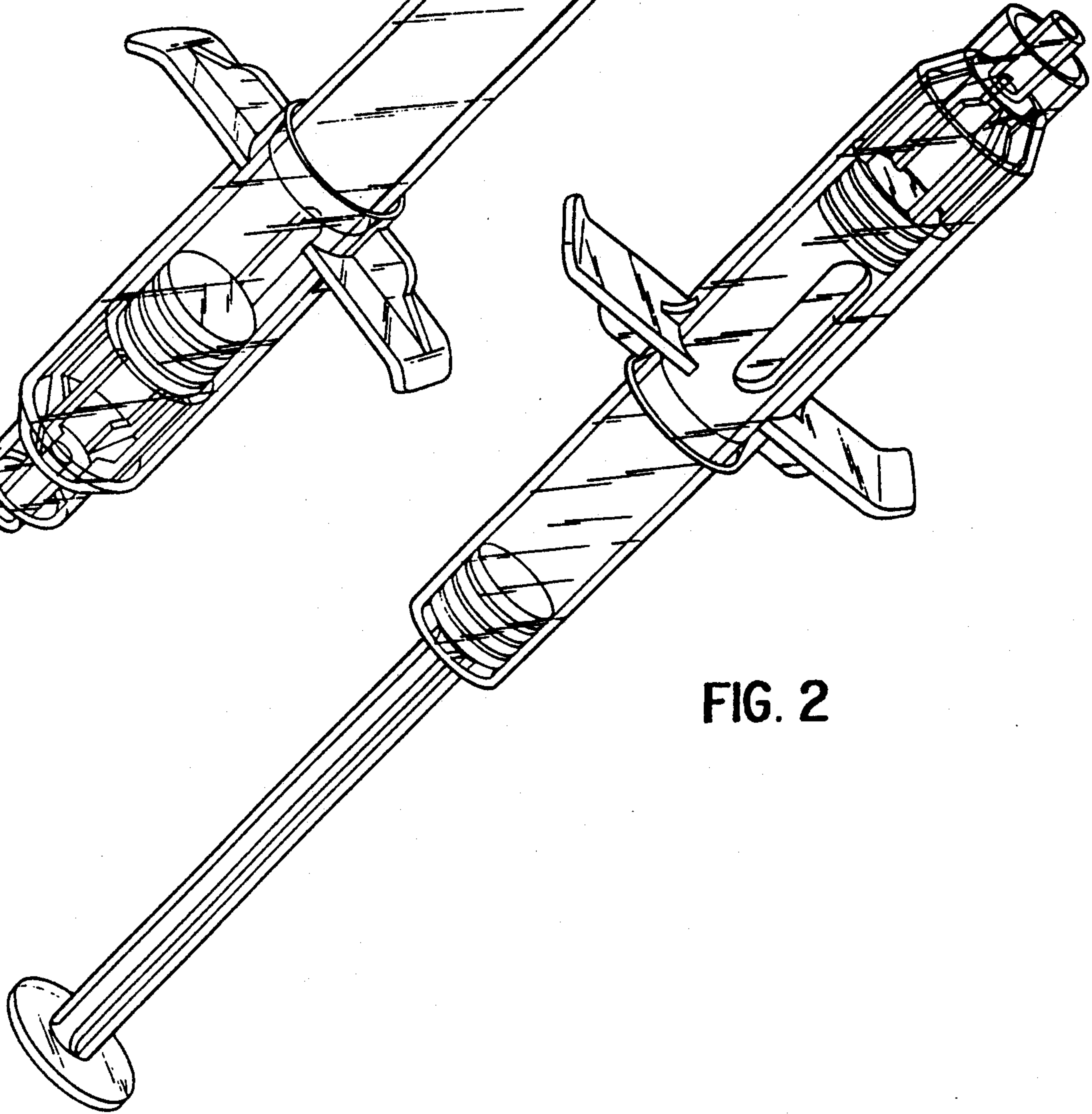
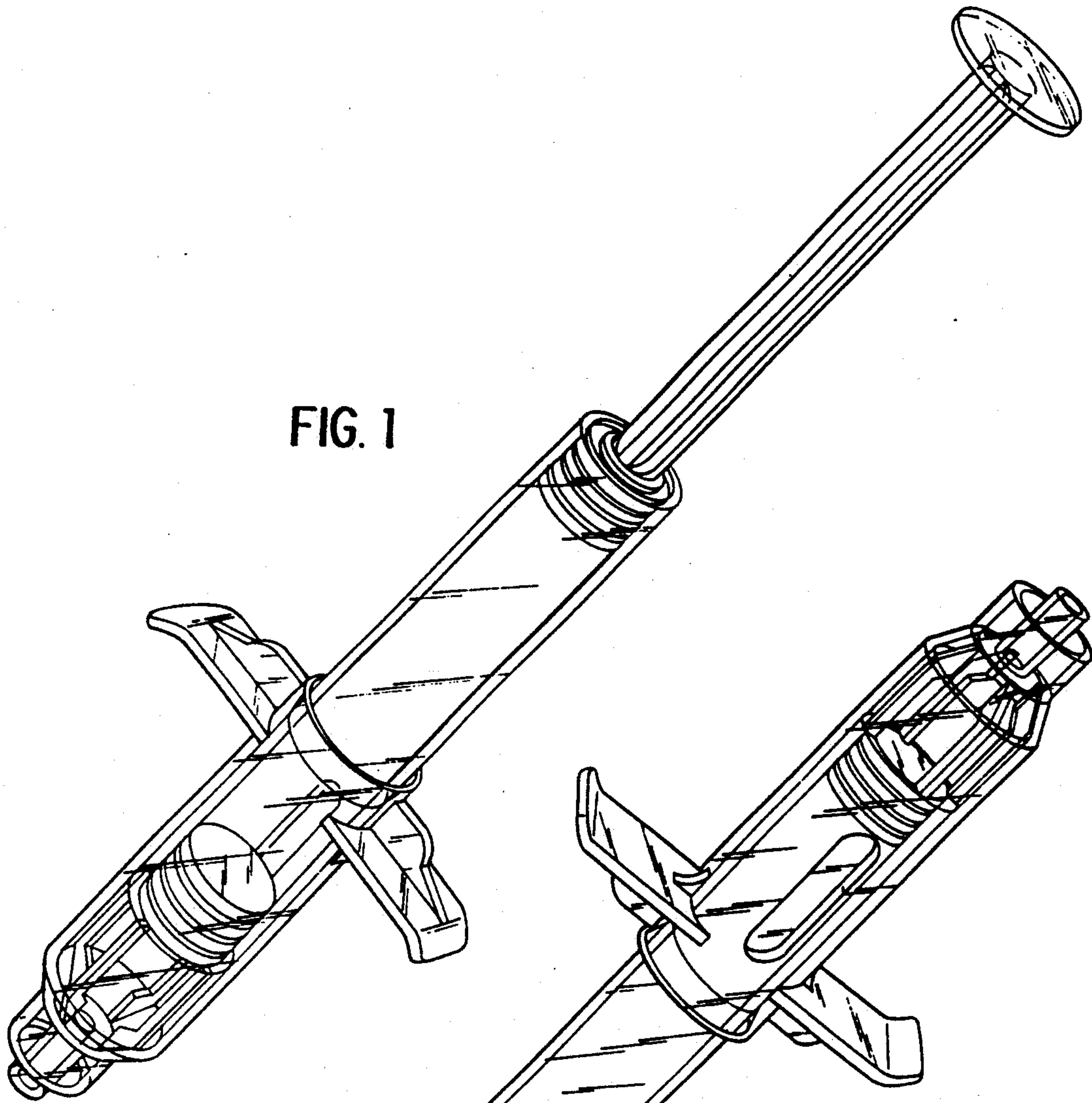
FIG. 1 is a top perspective view of a disposable syringe showing our new design;

FIG. 2 is a bottom perspective view thereof;

FIG. 3 is a top perspective view of the outer holder; and,

FIG. 4 is a bottom perspective view thereof.





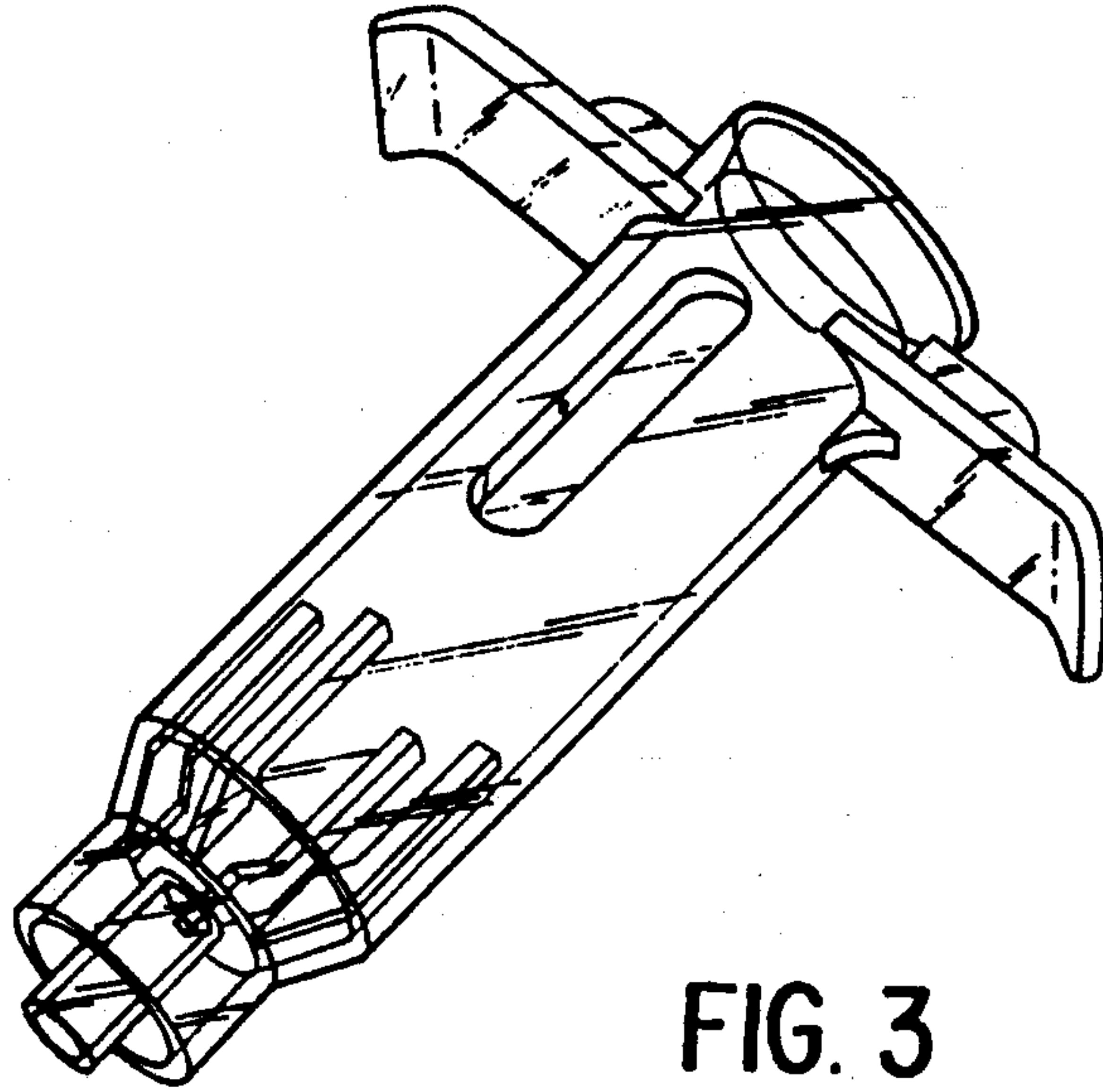


FIG. 3

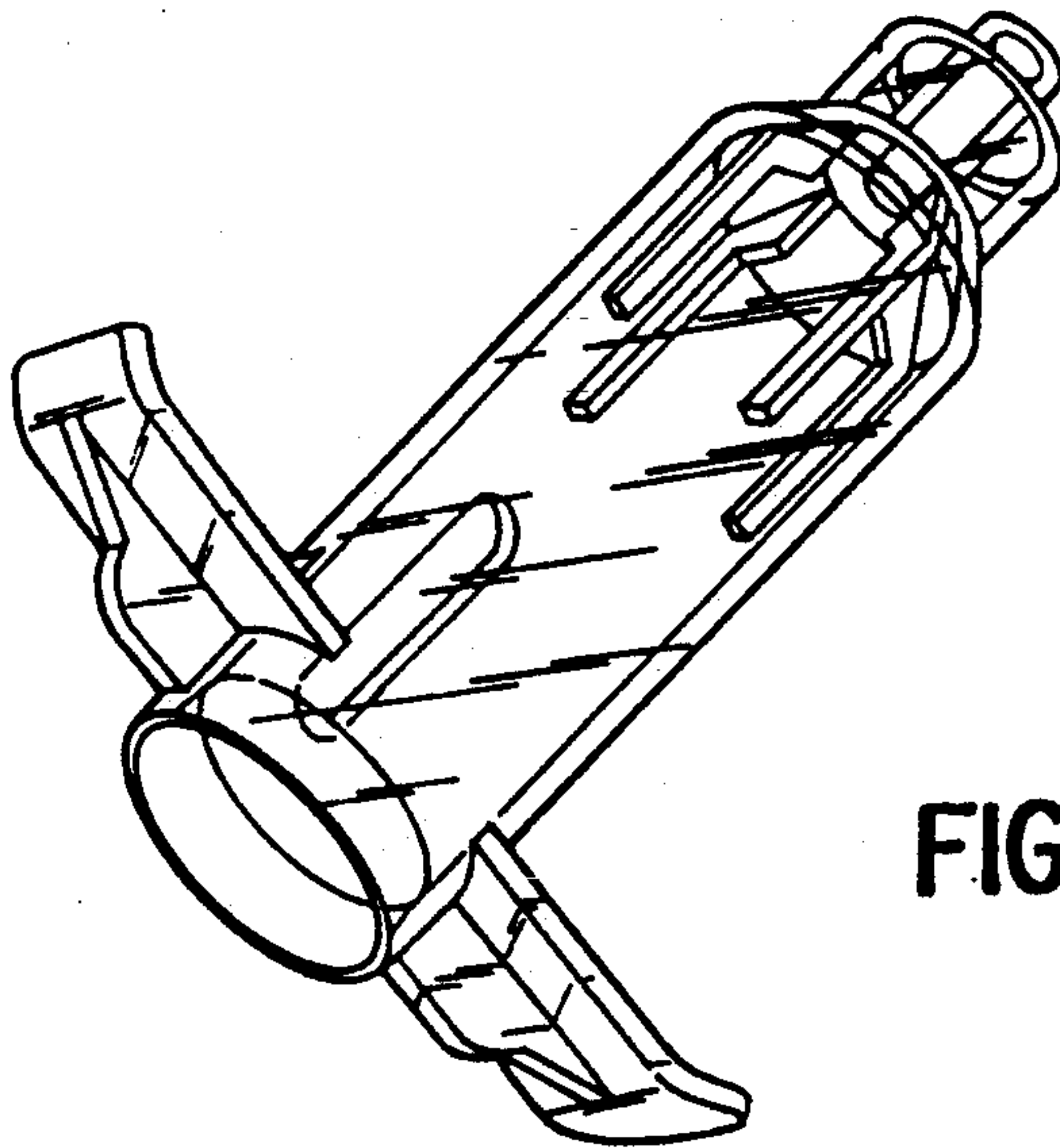


FIG. 4