



US00D338956S

# United States Patent [19]

[11] Patent Number: **Des. 338,956**

Hadaway et al.

[45] Date of Patent: **\*\* Aug. 31, 1993**

[54] **PROTECTIVE OVERCAP FOR A STICK HOLDER FOR MEDICAMENT**

5,000,193 3/1991 Heelis et al. .... 604/1 X  
5,132,114 7/1992 Stanley et al. .... 424/440

[75] Inventors: **Michelle A. Hadaway, Gurnee; David E. Kramer, Northbrook, both of Ill.**

*Primary Examiner*—Wallace R. Burke  
*Assistant Examiner*—M. Tung  
*Attorney, Agent, or Firm*—Thomas M. Breininger

[73] Assignee: **Abbott Laboratories, Abbott Park, Ill.**

[57] **CLAIM**

[\*\*] Term: **14 Years**

The ornamental design for a protective over cap for a for medicament stick holder, as shown and described.

[21] Appl. No.: **771,915**

**DESCRIPTION**

[22] Filed: **Oct. 4, 1991**

[52] U.S. Cl. .... **D24/100**

[58] Field of Search ..... **D24/100, 101, 119, 224, D24/226; D28/64; D9/300.2; D15/90; D1/102, 127; 604/1-3, 11, 15; 424/484, 440, 435, 439; 514/317, 777; D20/27**

FIG. 1 is a perspective view of a protective overcap for a stick holder for medicament showing our new design; FIG. 2 is a front elevational view thereof, the rear elevational view and the top and bottom plan views being the same;

FIG. 3 is a left end elevatioanl view thereof;

FIG. 4 is a right end elevational view thereof;

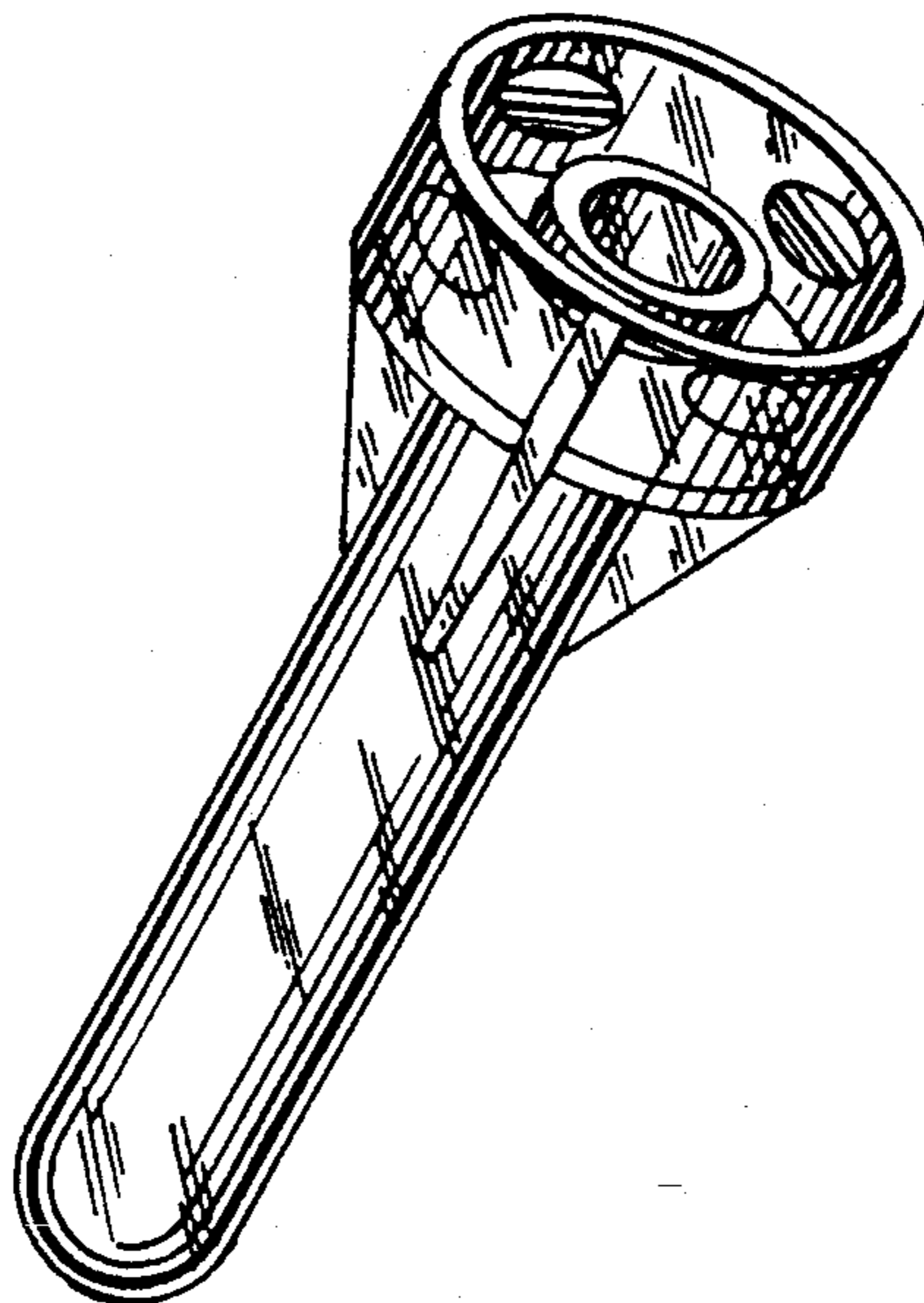
FIG. 5 is a longitudinal sectional view as taken generally along line 5—5 of FIG. 2; and,

FIG. 6 is an enlarged fragmentary sectional view taken generally along line 6—6 of FIG. 4.

[56] **References Cited**

**U.S. PATENT DOCUMENTS**

4,243,035 1/1981 Barrett ..... 604/1  
4,863,737 9/1989 Stanley et al. .... 424/440



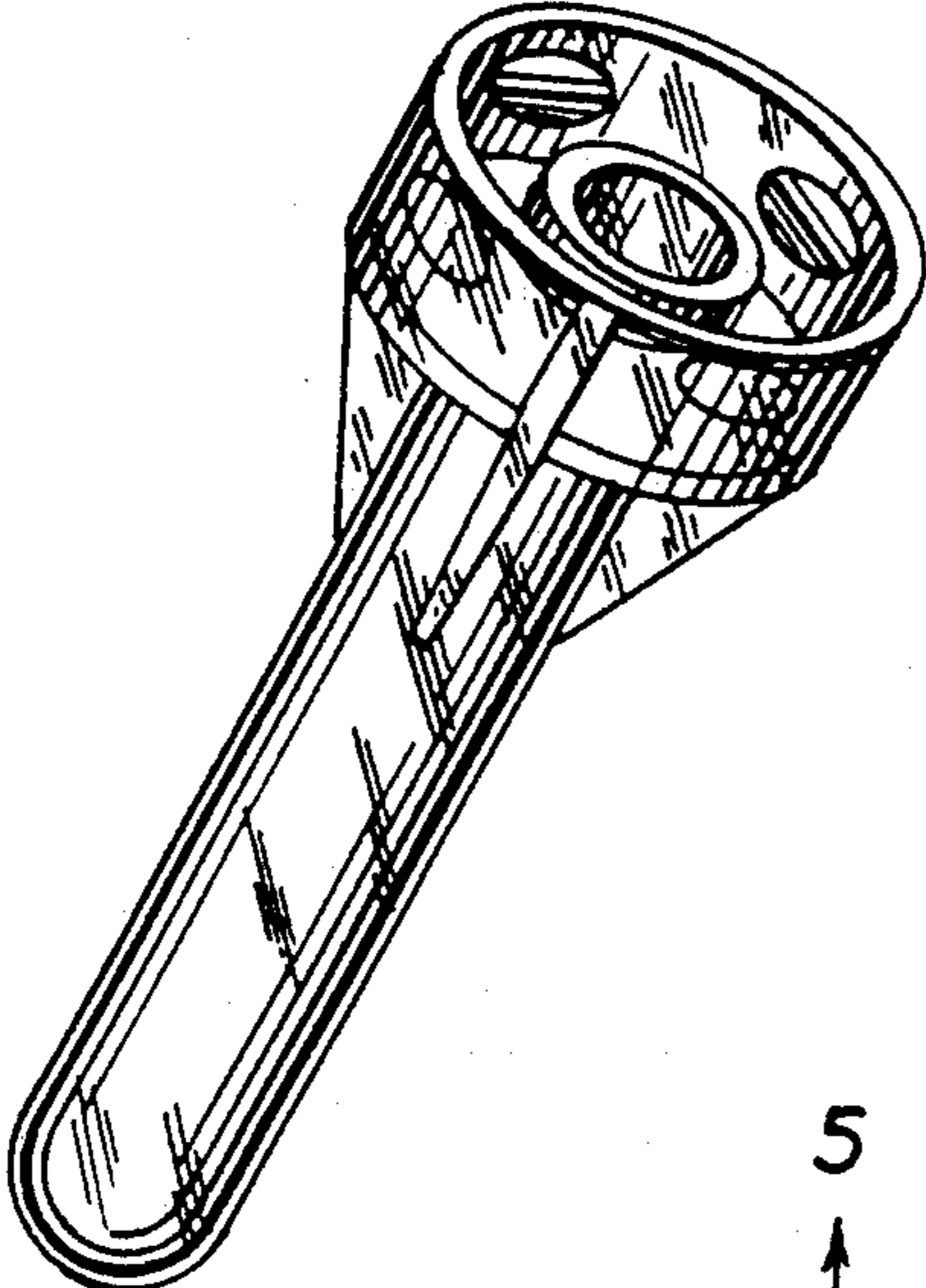


FIG. 1

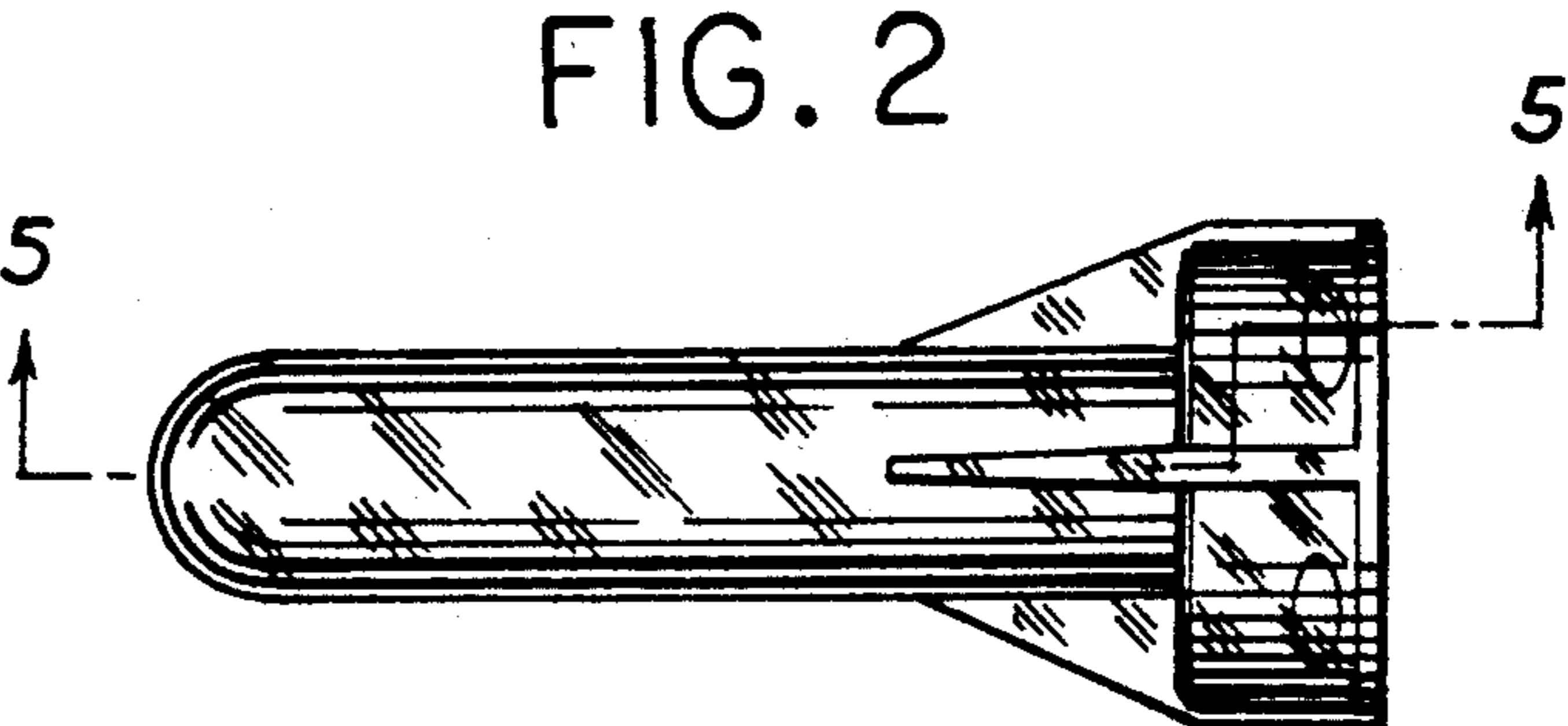


FIG. 2

FIG. 3

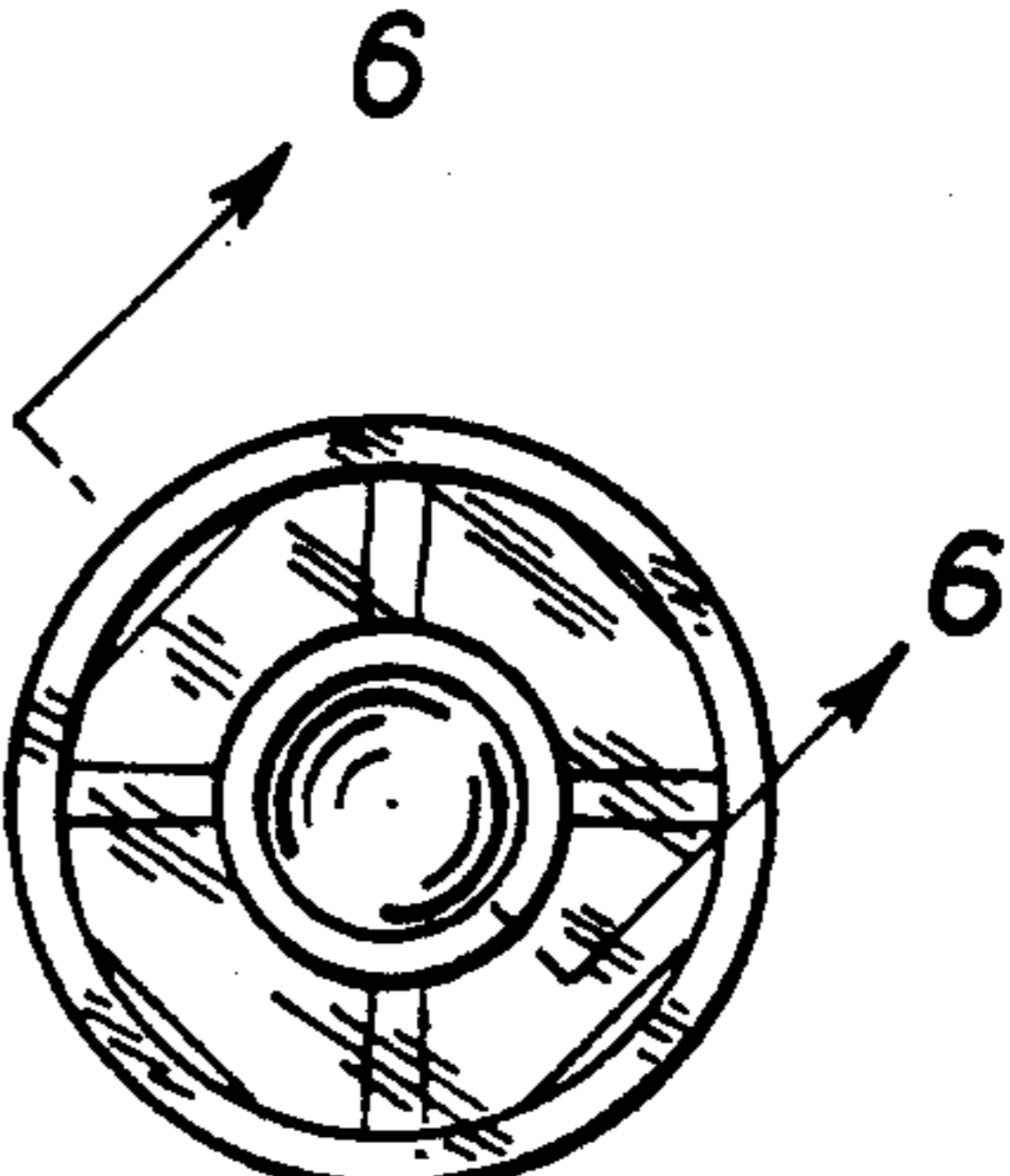
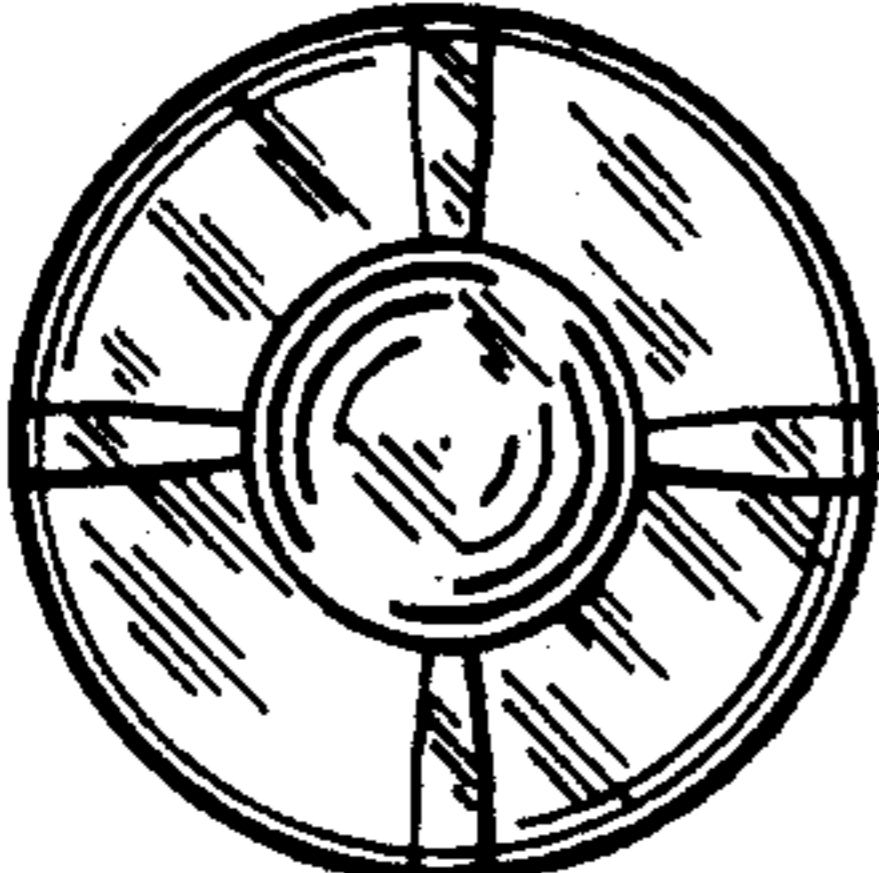


FIG. 4

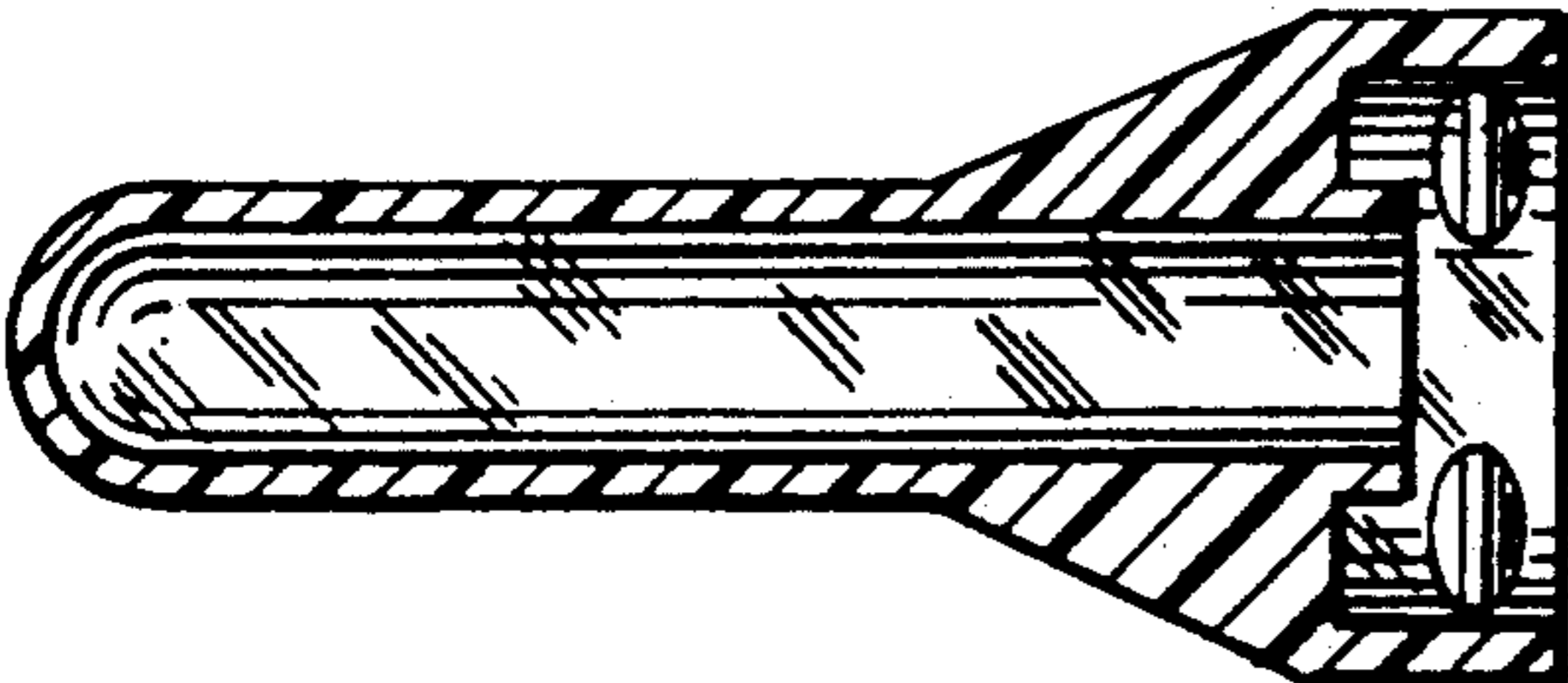


FIG. 5

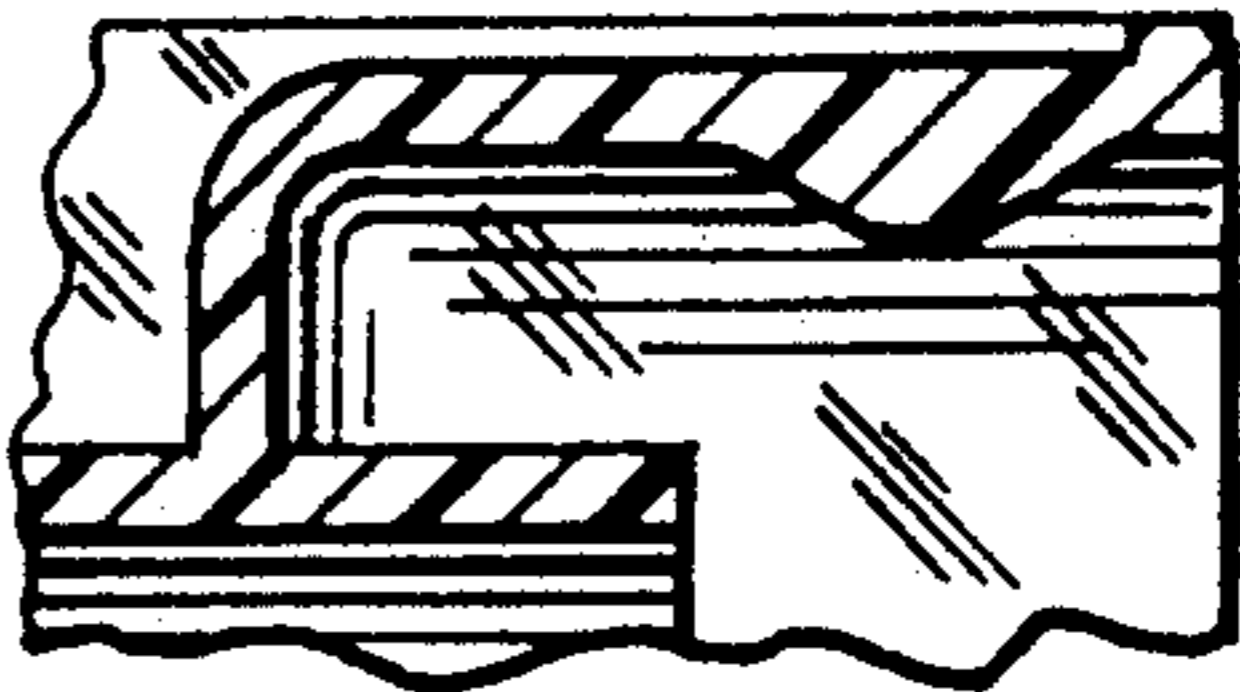


FIG. 6