



US00D338954S

United States Patent [19]

[11] Patent Number: **Des. 338,954**

Brock

[45] Date of Patent: **** Aug. 31, 1993**

[54] **RETROFIT LOUVER FOR EVAPORATIVE AIR COOLERS**

[75] Inventor: **James A. Brock, Alexander, Ark.**

[73] Assignee: **Walton Enterprises II L.P., Bentonville, Ark.**

[**] Term: **14 Years**

[21] Appl. No.: **897,344**

[22] Filed: **Jun. 11, 1992**

[52] U.S. Cl. **D23/387; D25/47**

[58] Field of Search **D23/387, 365, 360, 333; 454/277, 281, 282; D25/49, 47**

[56] **References Cited**

U.S. PATENT DOCUMENTS

D. 181,519 11/1957 Devereux D25/47
4,142,340 3/1979 Howard D25/47

OTHER PUBLICATIONS

Grainger's Spring '86 cat., p. 1096, Evaporative Cooler, bottom of page.

American Air Filters Brochure, published prior to 1990, p. 4, Weather Louver A, bottom right side of page. House & Home, March, 1968, p. 43, Ventilator A, middle of page.

Primary Examiner—Wallace R. Burke
Assistant Examiner—Lisa Lichtenstein
Attorney, Agent, or Firm—Stephen D. Carver

[57] **CLAIM**

The ornamental design for a retrofit louver for evaporative air coolers, as shown and described.

DESCRIPTION

FIG. 1 is a front perspective view showing my new retrofit louver design;
FIG. 2 is a top plan view thereof, the bottom being a mirror image of that shown;
FIG. 3 is a front elevational view thereof;
FIG. 4 is a left side elevational view thereof, the right side being a mirror image of that shown;
FIG. 5 is a cross-sectional view thereof, taken along line 5—5 in FIG. 3; and,
FIG. 6 is a cross-sectional view thereof, along line 6—6 in FIG. 3.

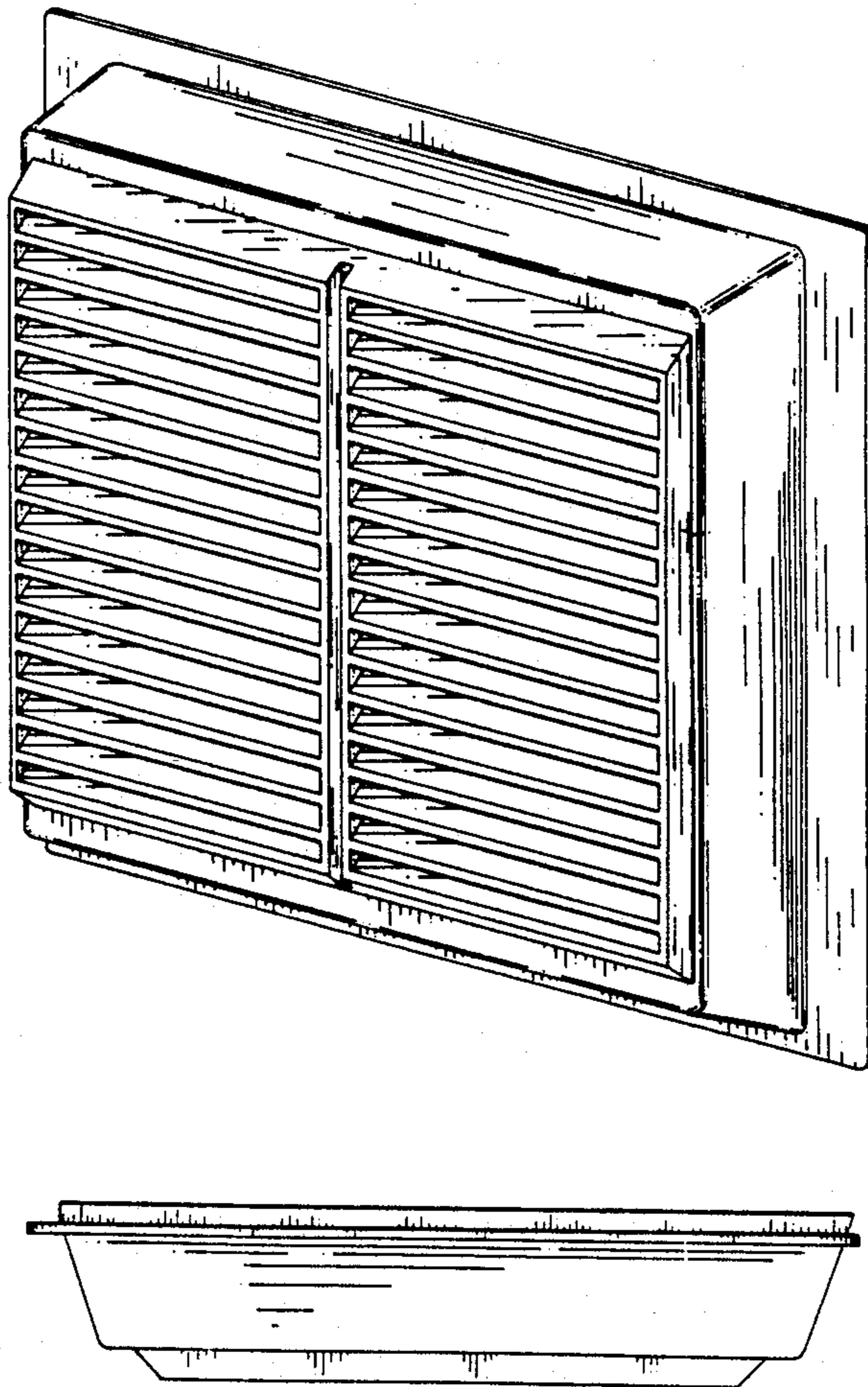


FIG. 1

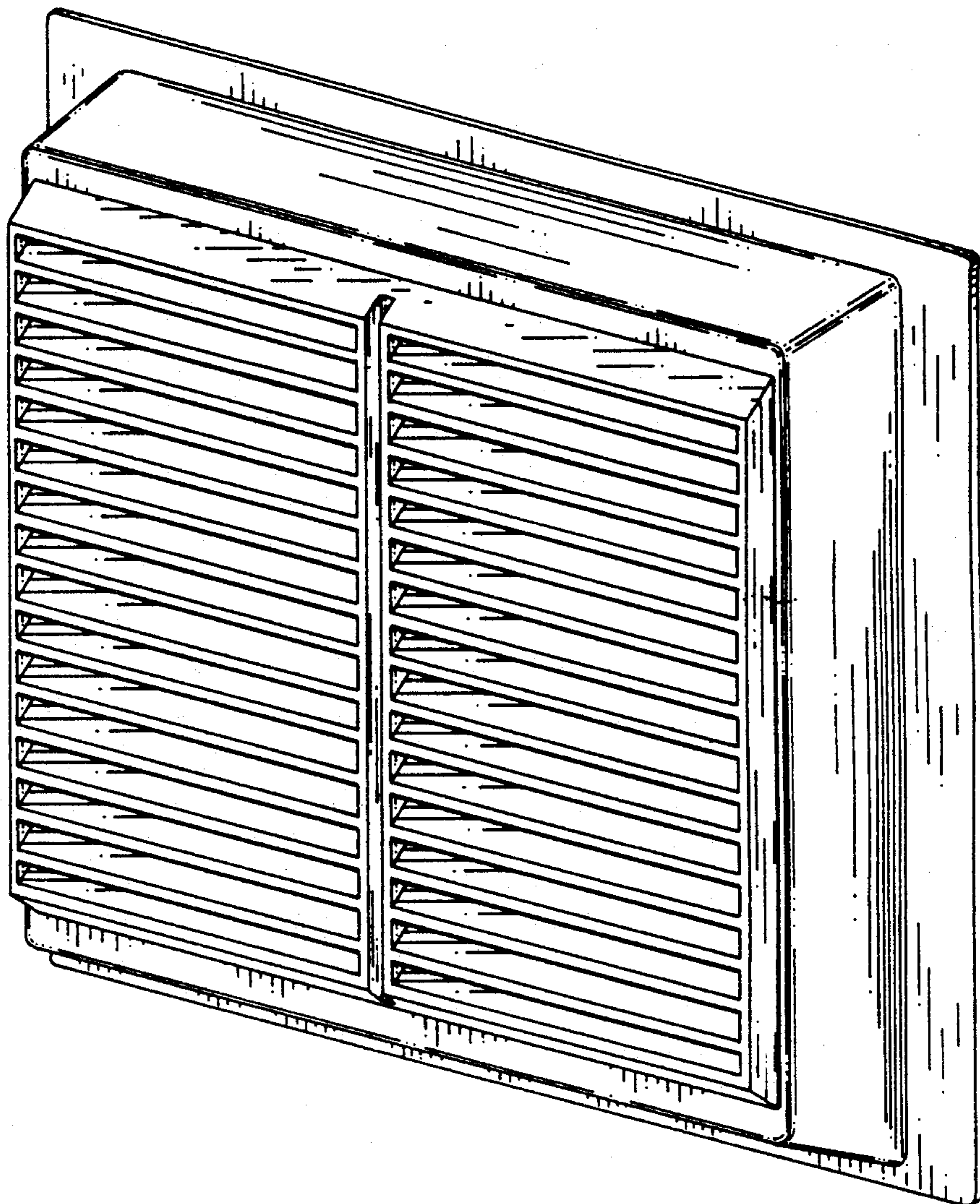


FIG. 2

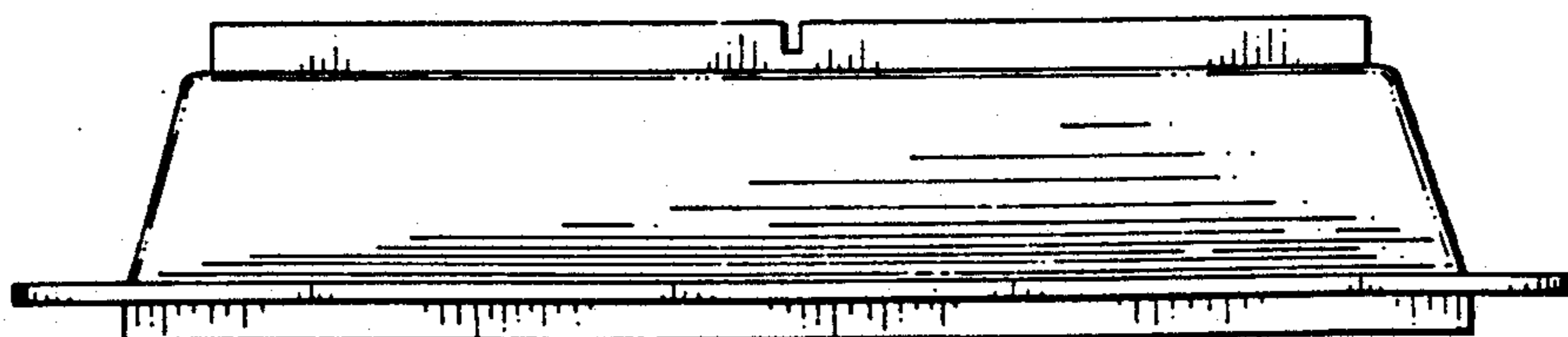


FIG. 3

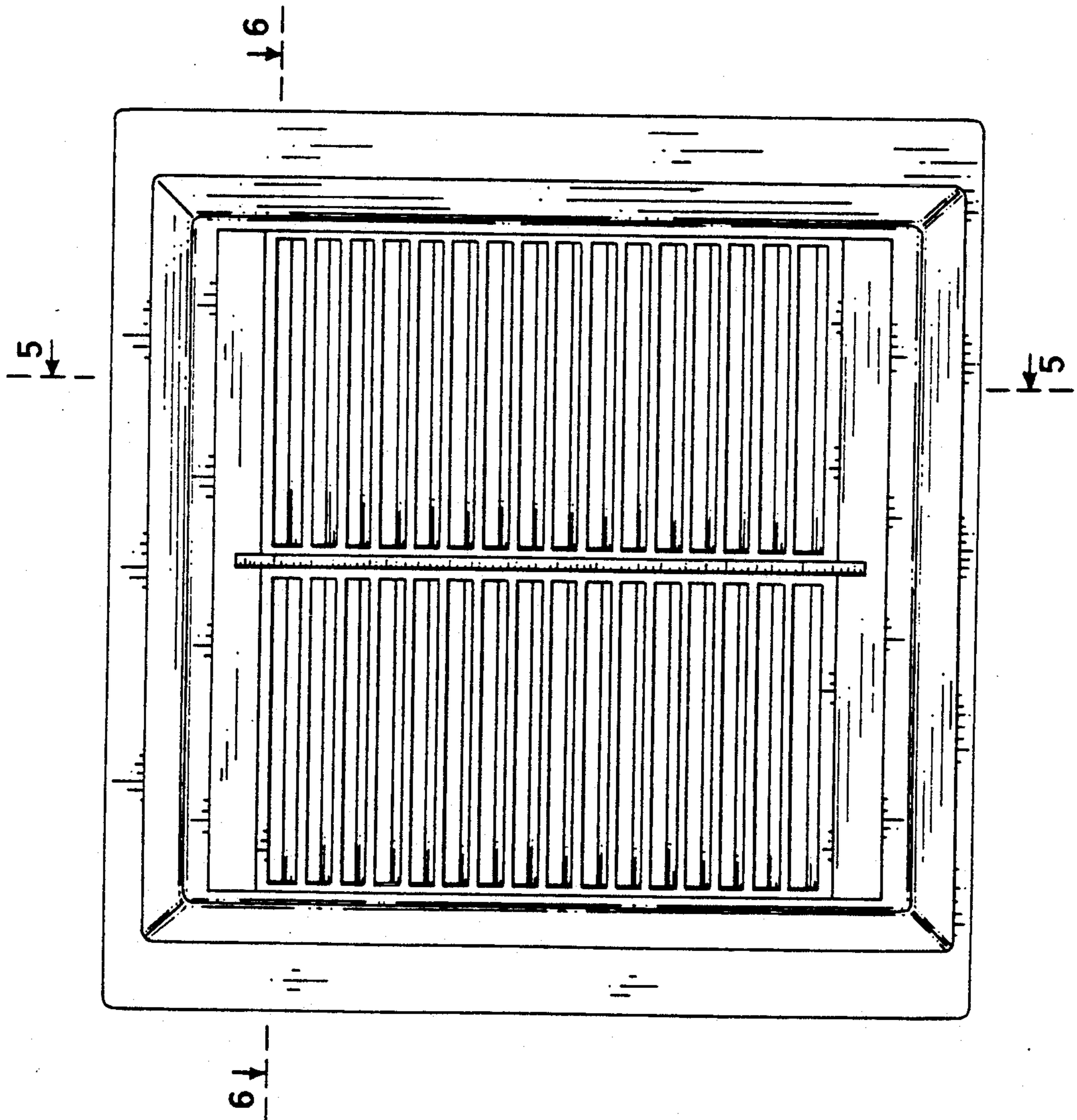


FIG. 4

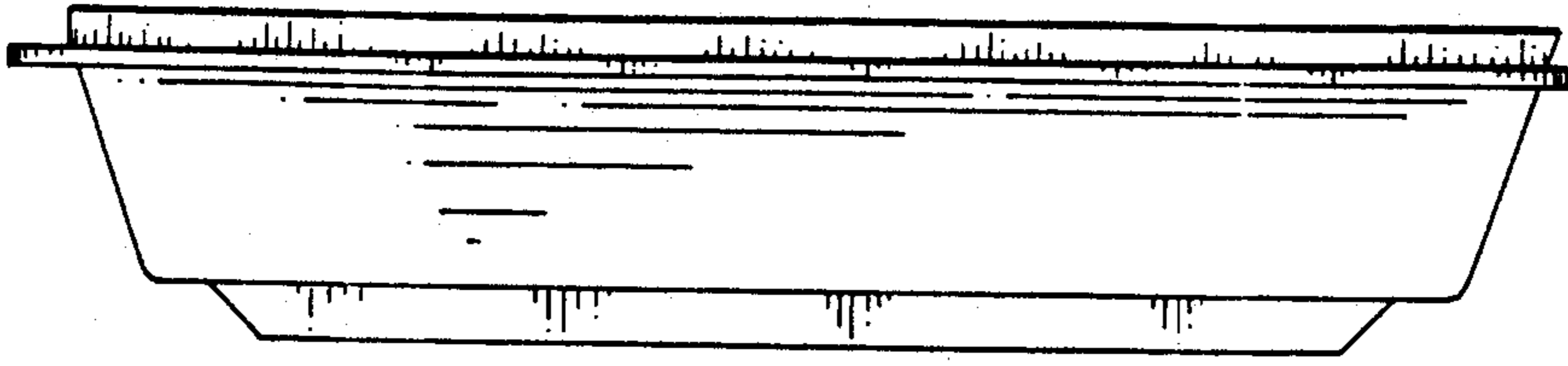


FIG. 5

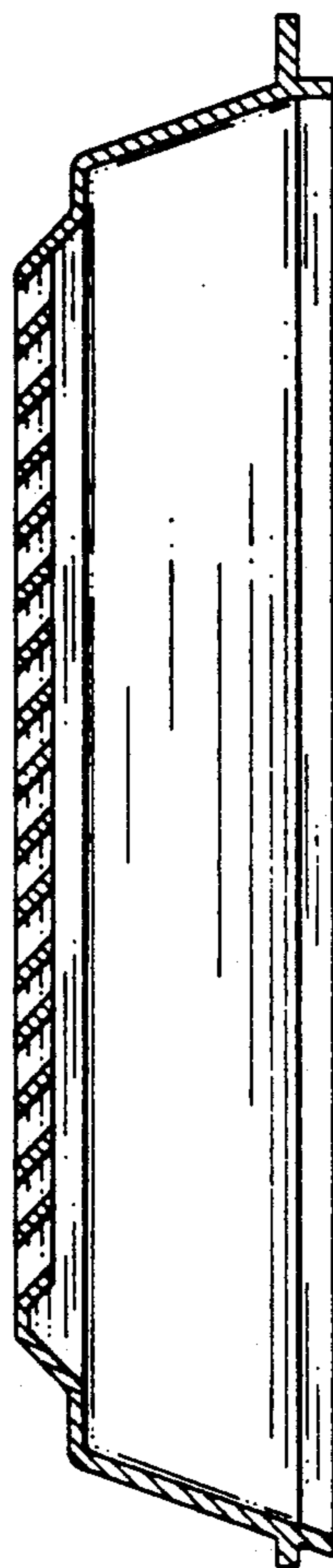


FIG. 6

