



US00D338953S

United States Patent [19]

[11] Patent Number: **Des. 338,953**

Kehrberger

[45] Date of Patent: **** Aug. 31, 1993**

[54] POTPOURRI CANISTER

[76] Inventor: **Ethel Kehrberger, 885 Hawthorne, Ypsilanti, Mich. 48198**

[**] Term: **14 Years**

[21] Appl. No.: **852,095**

[22] Filed: **Mar. 16, 1992**

[52] U.S. Cl. **D23/366**

[58] Field of Search **D23/366; 242/55.55; 239/52, 57, 58, 59; 422/305**

[56] **References Cited**

U.S. PATENT DOCUMENTS

D. 321,490 11/1991 Cronin **D23/366**
4,925,102 5/1990 Jones et al. **239/57**

FOREIGN PATENT DOCUMENTS

432381 7/1935 United Kingdom **239/55**
666307 2/1952 United Kingdom **239/60**

Primary Examiner—Wallace R. Burke
Assistant Examiner—Lisa Lichtenstein
Attorney, Agent, or Firm—Kraas & Young

[57] **CLAIM**

The ornamental design for a potpourri canister, as shown and described.

DESCRIPTION

FIG. 1 is a front perspective view of a potpourri canister embodying my inventive design;
FIG. 2 is a rear perspective view of the potpourri canister;
FIG. 3 is a right side view of the potpourri canister, the left side view is substantially identical;
FIG. 4 is a top view of the potpourri canister; and,
FIG. 5 is a bottom view of the potpourri canister.

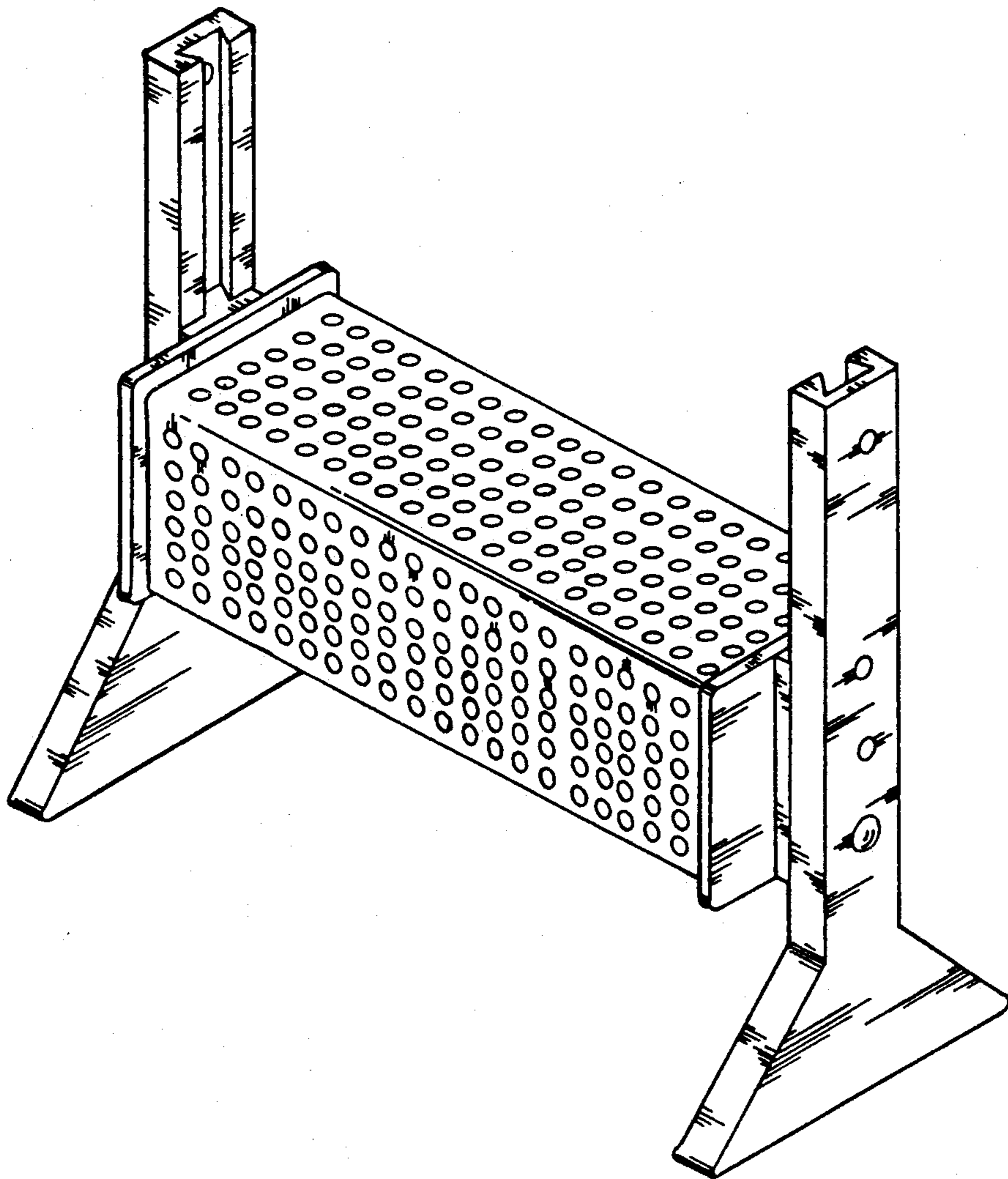


FIG-1

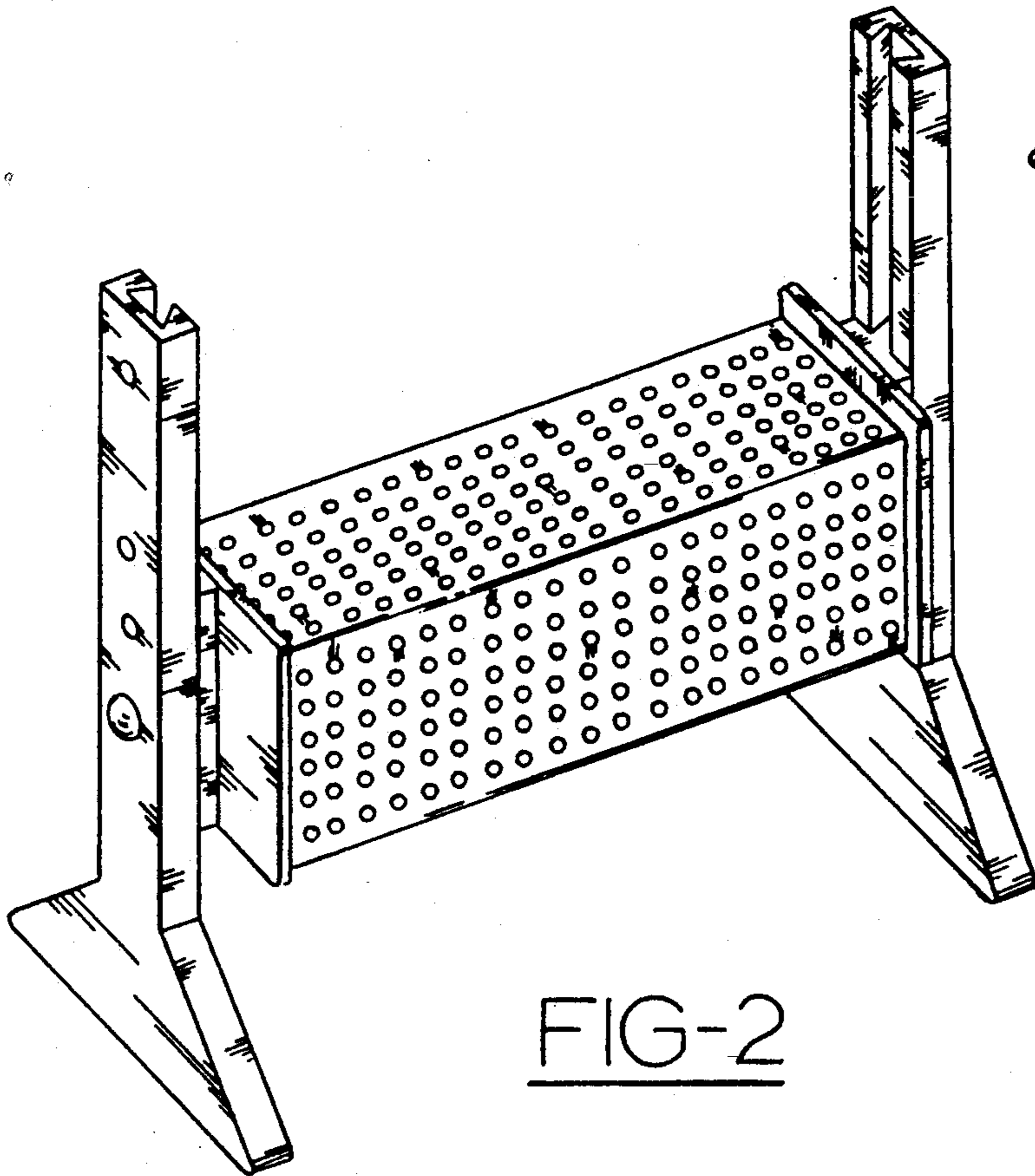
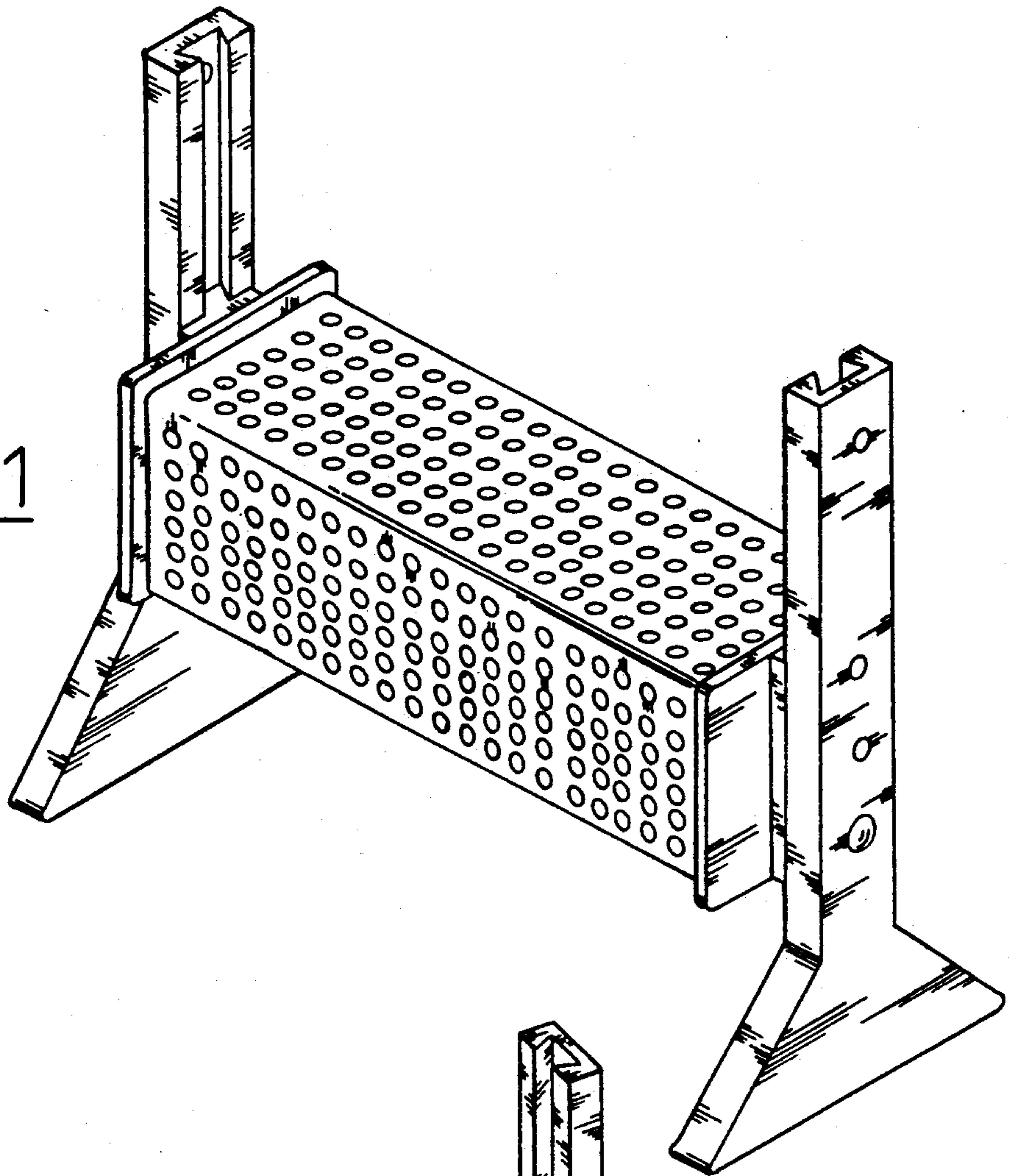


FIG-2

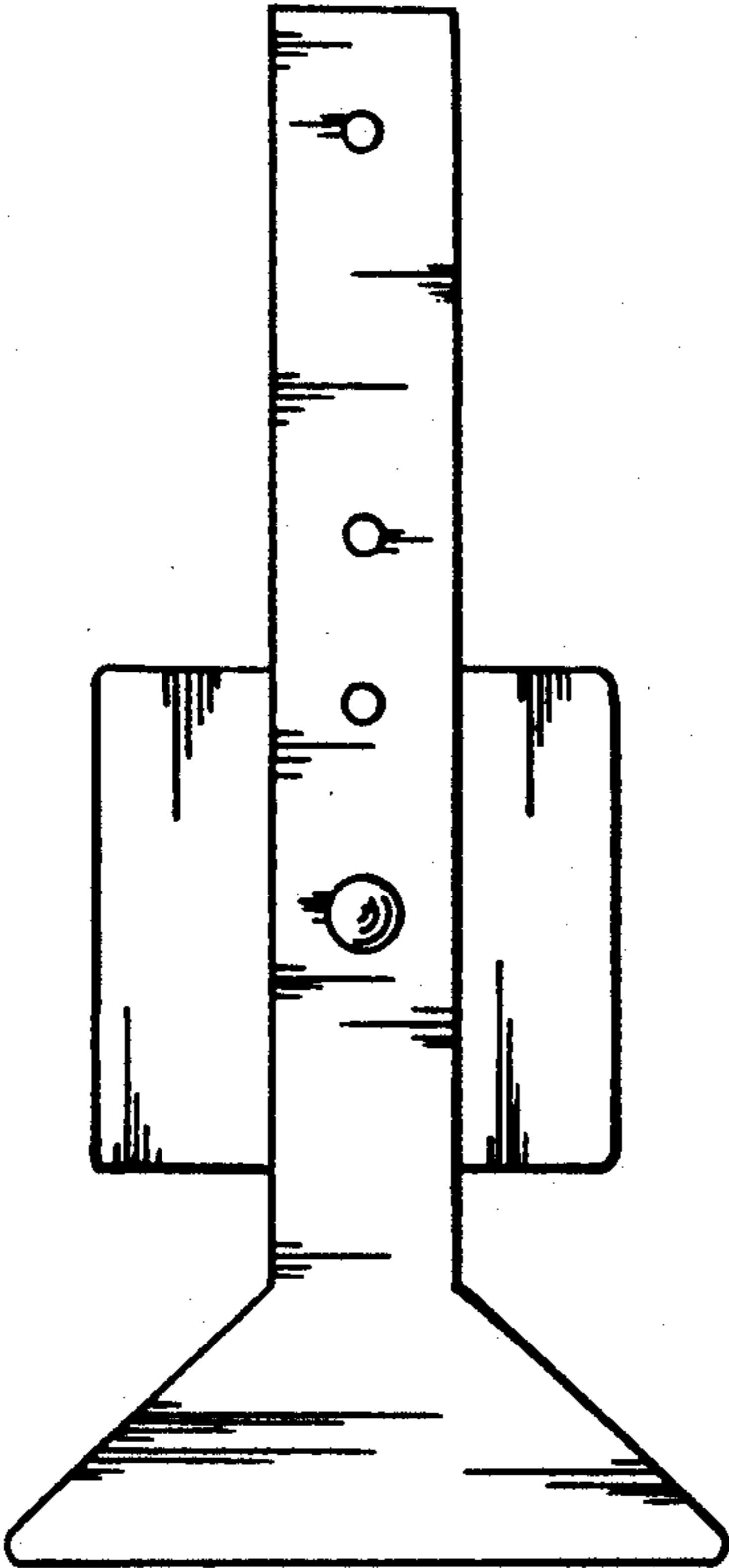


FIG-3

FIG-4

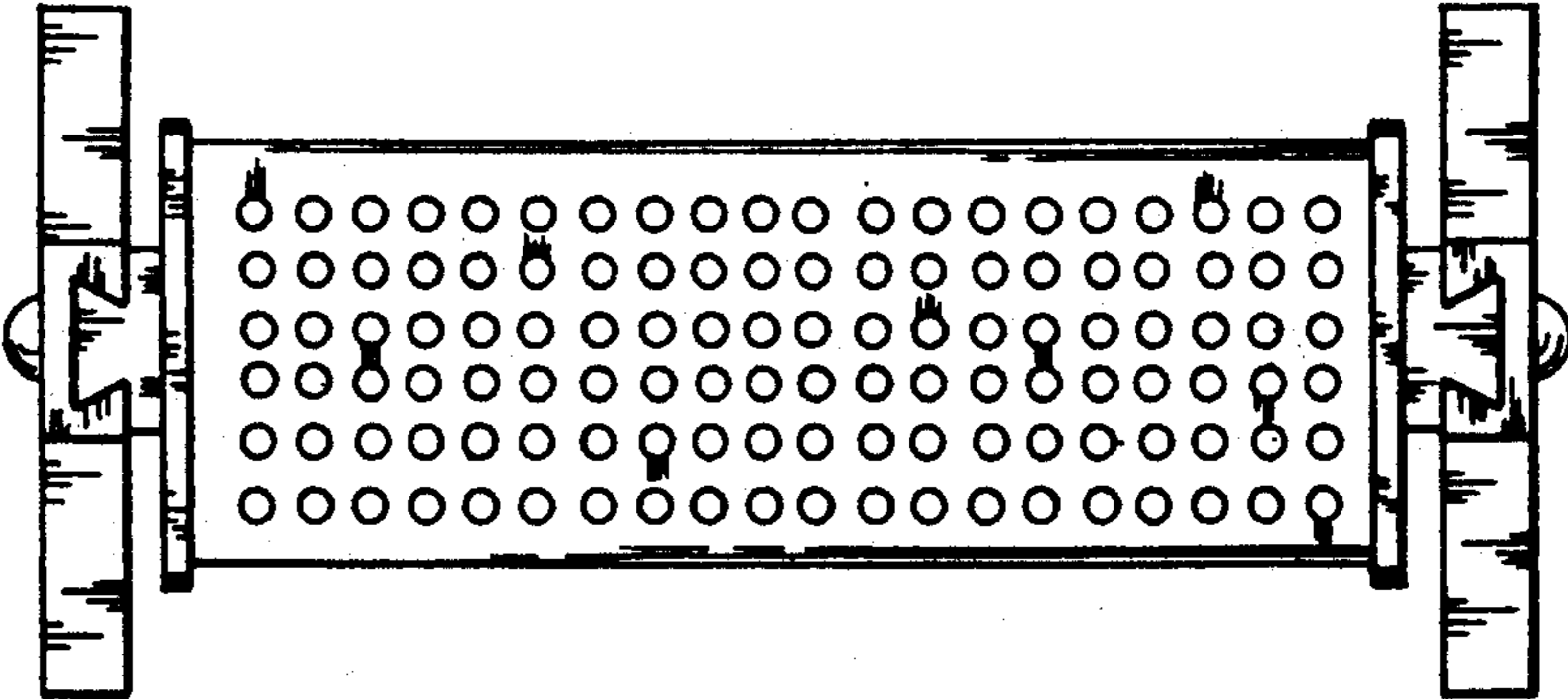


FIG-5

