



US00D338952S

# United States Patent [19]

[11] Patent Number: **Des. 338,952**

Snow

[45] Date of Patent: **\*\* Aug. 31, 1993**

[54] AIR FRESHENER

[56] References Cited

[75] Inventor: **Nicholas Snow, Folkestone, Great Britain**

### U.S. PATENT DOCUMENTS

D. 327,423 6/1992 Turner-Adams ..... D23/366  
2,315,697 4/1943 Glaskowsky ..... D23/366

[73] Assignee: **Unilever Patent Holdings B.V., Vlaardingen, Netherlands**

*Primary Examiner*—Wallace R. Burke  
*Assistant Examiner*—Lisa Lichtenstein  
*Attorney, Agent, or Firm*—Cushman, Darby & Cushman

[\*\*] Term: **14 Years**

### [57] CLAIM

The ornamental design for an air freshener, as shown and described.

[21] Appl. No.: **851,350**

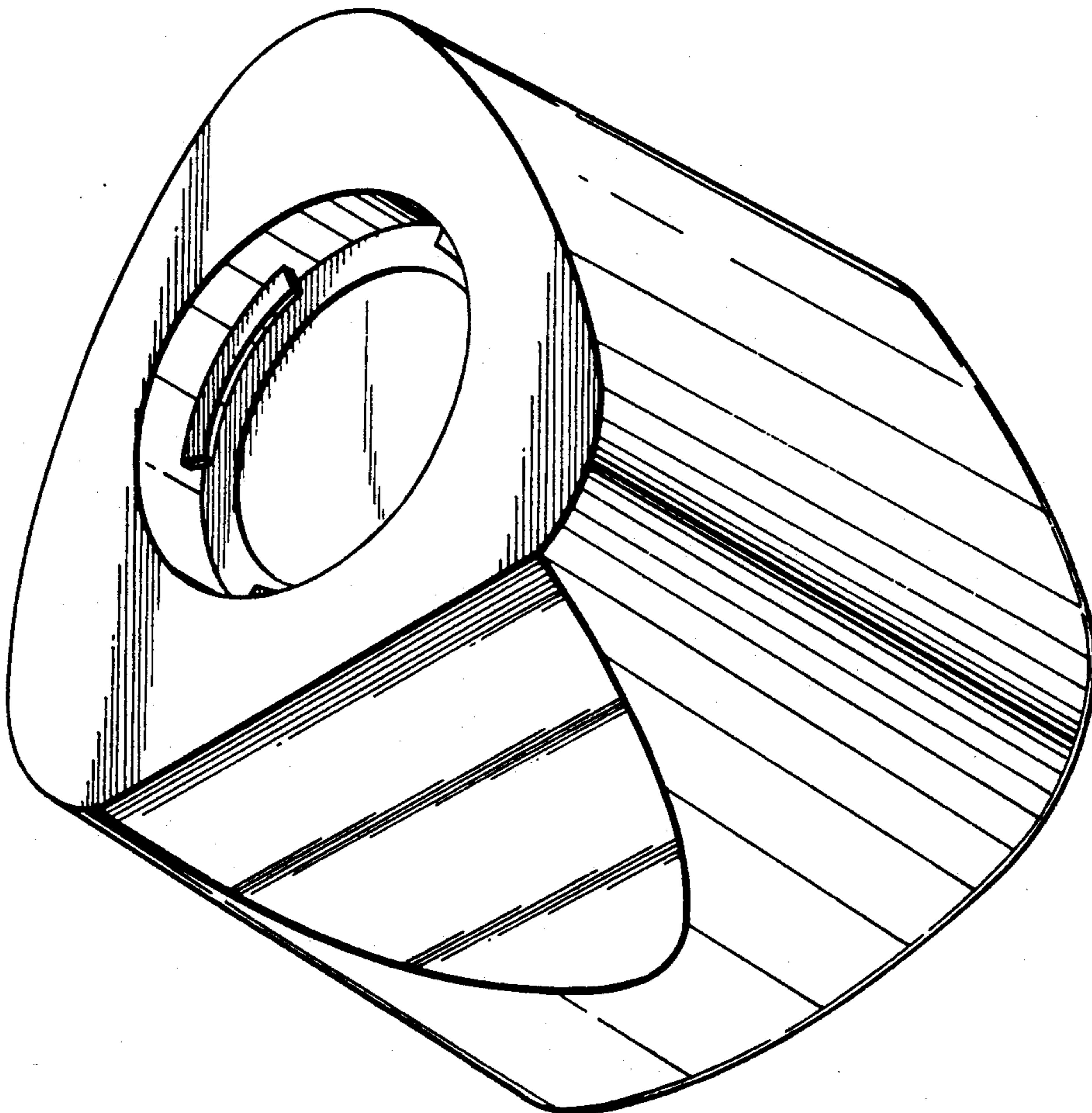
### DESCRIPTION

[22] Filed: **Mar. 12, 1992**

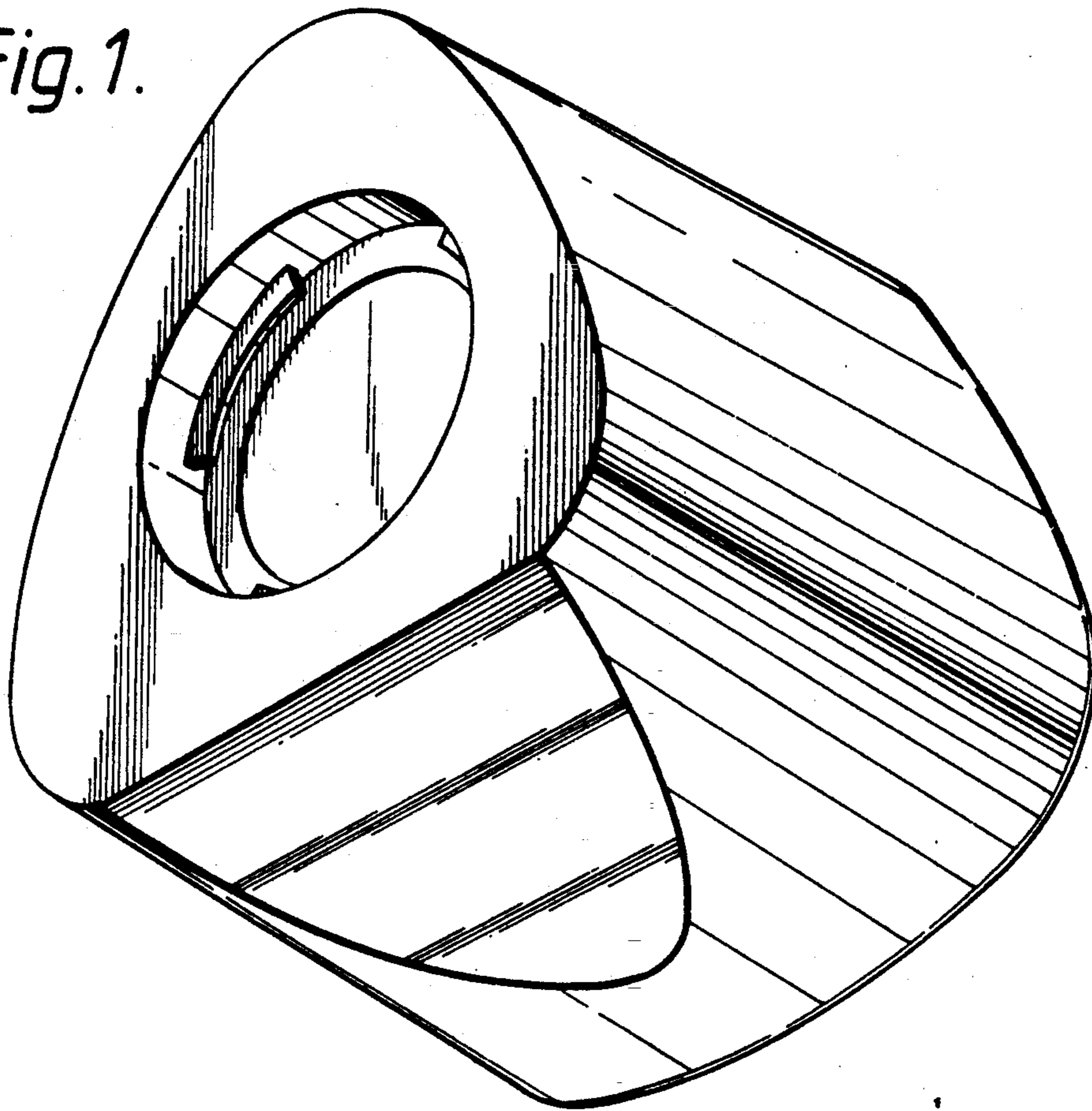
FIG. 1 is a front, bottom and right side perspective view of an air freshener showing my new design; FIG. 2 is a right side elevation view thereof, the opposite side being a mirror image of that shown; FIG. 3 is a top plan view thereof; FIG. 4 is a bottom plan view thereof; FIG. 5 is a rear elevation view thereof; and, FIG. 6 is a front elevation view thereof.

### [30] Foreign Application Priority Data

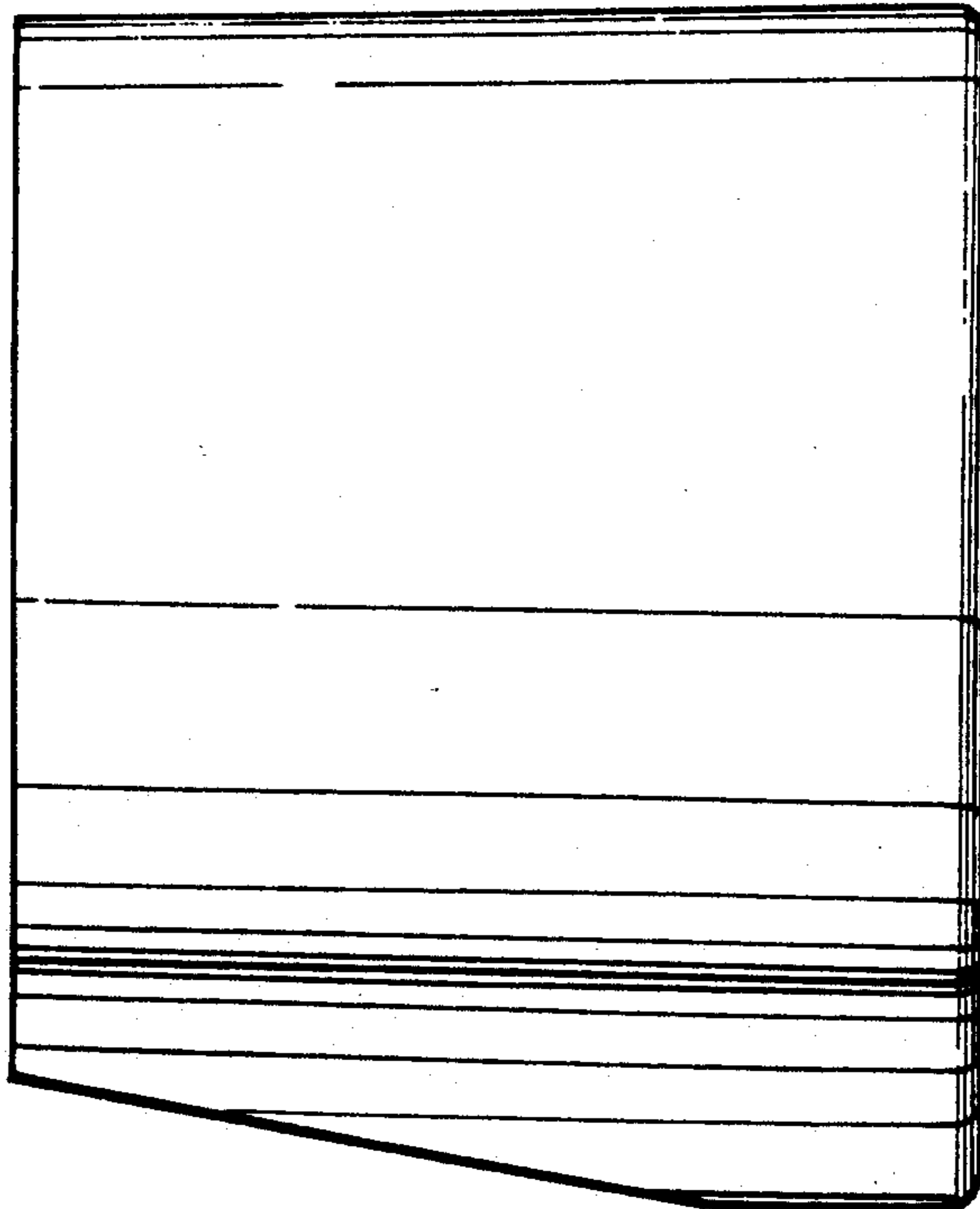
Sep. 12, 1991 [GB] United Kingdom ..... 2017415  
[52] U.S. Cl. .... **D23/366**  
[58] Field of Search ..... D23/366; 239/34, 54, 239/60; 422/305; D9/418, 430



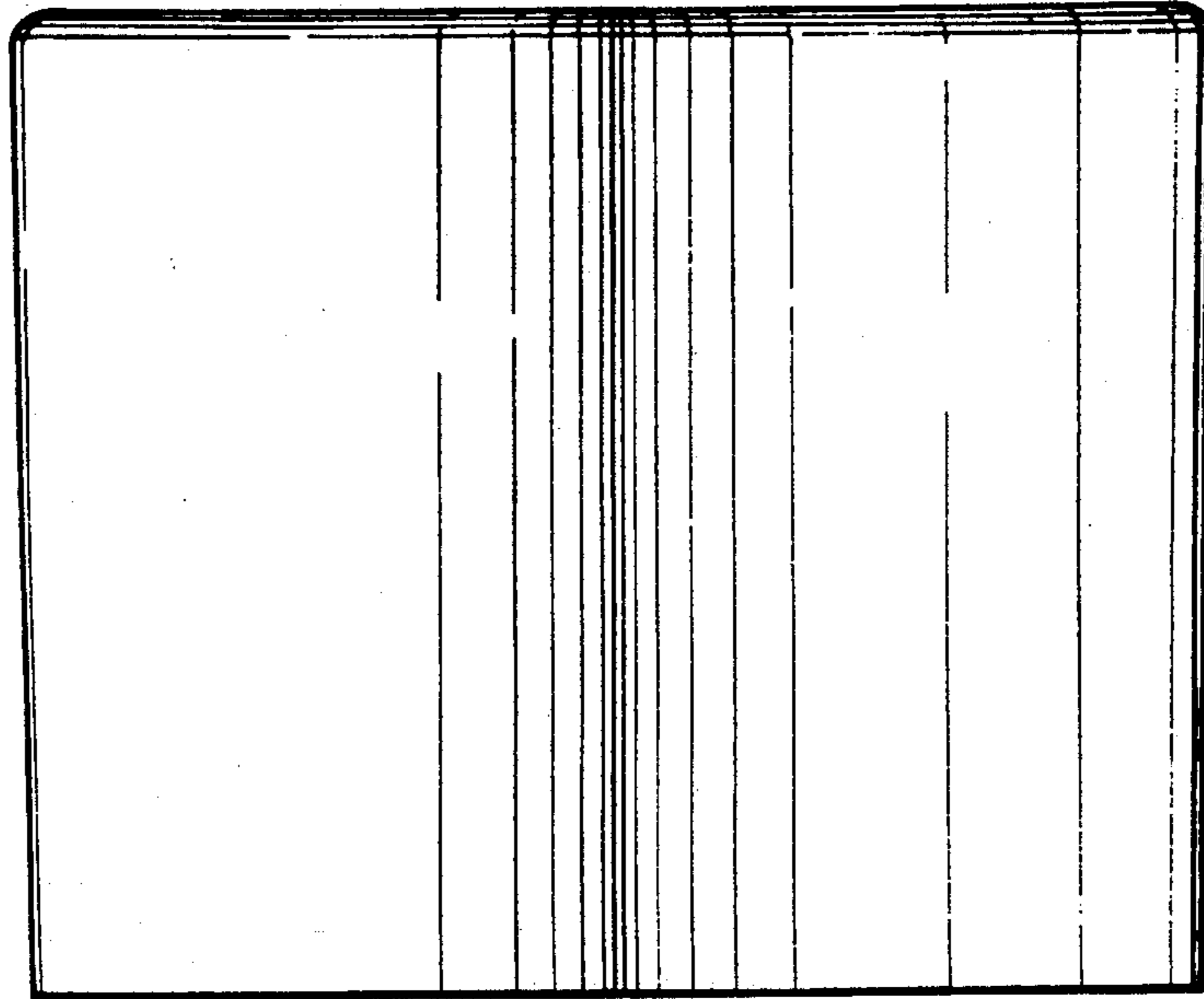
*Fig. 1.*



*Fig. 2.*



*Fig. 3.*



*Fig. 4.*

