



US00D338950S

# United States Patent [19]

[11] Patent Number: **Des. 338,950**

**Kohler, Jr. et al.**

[45] Date of Patent: **\*\* Aug. 31, 1993**

## [54] LAVATORY

[75] Inventors: **Herbert V. Kohler, Jr., Kohler, Wis.; Pierre H. Paulin; Francois Kergoet, both of Paris, France; Michel Chalard, Villemomble, France**

[73] Assignee: **Jacob Delafon, Paris, France**

[\*\*] Term: **14 Years**

[21] Appl. No.: **792,049**

[22] Filed: **Nov. 8, 1991**

[52] U.S. Cl. .... **D23/294**

[58] Field of Search ..... **D23/270-274, D23/284-294, 308; 4/619, 631, 643, 646-650**

## [56] References Cited

### U.S. PATENT DOCUMENTS

D. 85,516	10/1931	Ebinger .	
D. 98,227	1/1936	Callahan .....	D23/294
D. 260,678	9/1981	Hiller .....	D23/294 X
D. 261,929	11/1981	Primautt .....	D23/292
D. 293,930	1/1988	Reid .	
D. 295,071	4/1988	Kohler, Jr. ....	D23/294
D. 296,923	7/1988	Brossardt et al. ....	D23/294
D. 314,612	2/1991	Sauter et al. .	
D. 319,690	9/1991	Reid .....	D23/294
D. 325,626	4/1992	Ragonot .....	D23/292
D. 328,338	7/1992	Ragonot .....	D23/284
510,021	12/1893	Hodge .....	4/643
834,266	10/1906	Coxon .....	4/619
2,210,933	8/1940	Graf .....	D23/294 X

### OTHER PUBLICATIONS

P. 13-9 of an undated Kohler ad showing inter alia its K-3035 Alouette lavatory, admitted prior art.

Undated Ceramica ad for its lavatories, admitted prior art.

Undated Jacob Delafon ad showing inter alia its Cristal lavatory, admitted prior art.

P. 13-5 from an undated Kohler ad showing inter alia is Fleur lavatory, admitted prior art.

*Primary Examiner*—James R. Largen

*Attorney, Agent, or Firm*—Quarles & Brady

## [57] CLAIM

The ornamental design for a lavatory, as shown and described.

## DESCRIPTION

FIG. 1 is a perspective view taken from the top, front and left side of a lavatory showing our new design;

FIG. 2 is a top plan view thereof;

FIG. 3 is a front elevational view thereof;

FIG. 4 is a left side elevational view thereof, the right side being the mirror image of the left side shown;

FIG. 5 is a cross-sectional view taken on line 5—5 of FIG. 2;

FIG. 6 is a cross-sectional view taken on line 6—6 of FIG. 2;

FIG. 7 is a perspective view taken from the top, front and left side of a second embodiment thereof;

FIG. 8 is a top plan view of FIG. 7;

FIG. 9 is a front elevational view of FIG. 7;

FIG. 10 is a left side elevational view of FIG. 7, the right side being a mirror image of the left side;

FIG. 11 is a cross-sectional view taken on line 11—11 of FIG. 8;

FIG. 12 is a cross-sectional view taken on line 12—12 of FIG. 8;

FIG. 13 is another perspective view taken from the top, front and left side of FIG. 7 showing the lavatory mounted differently;

FIG. 14 is a perspective view taken from the top, front and left side of a third embodiment thereof;

FIG. 15 is a top plan view of FIG. 14;

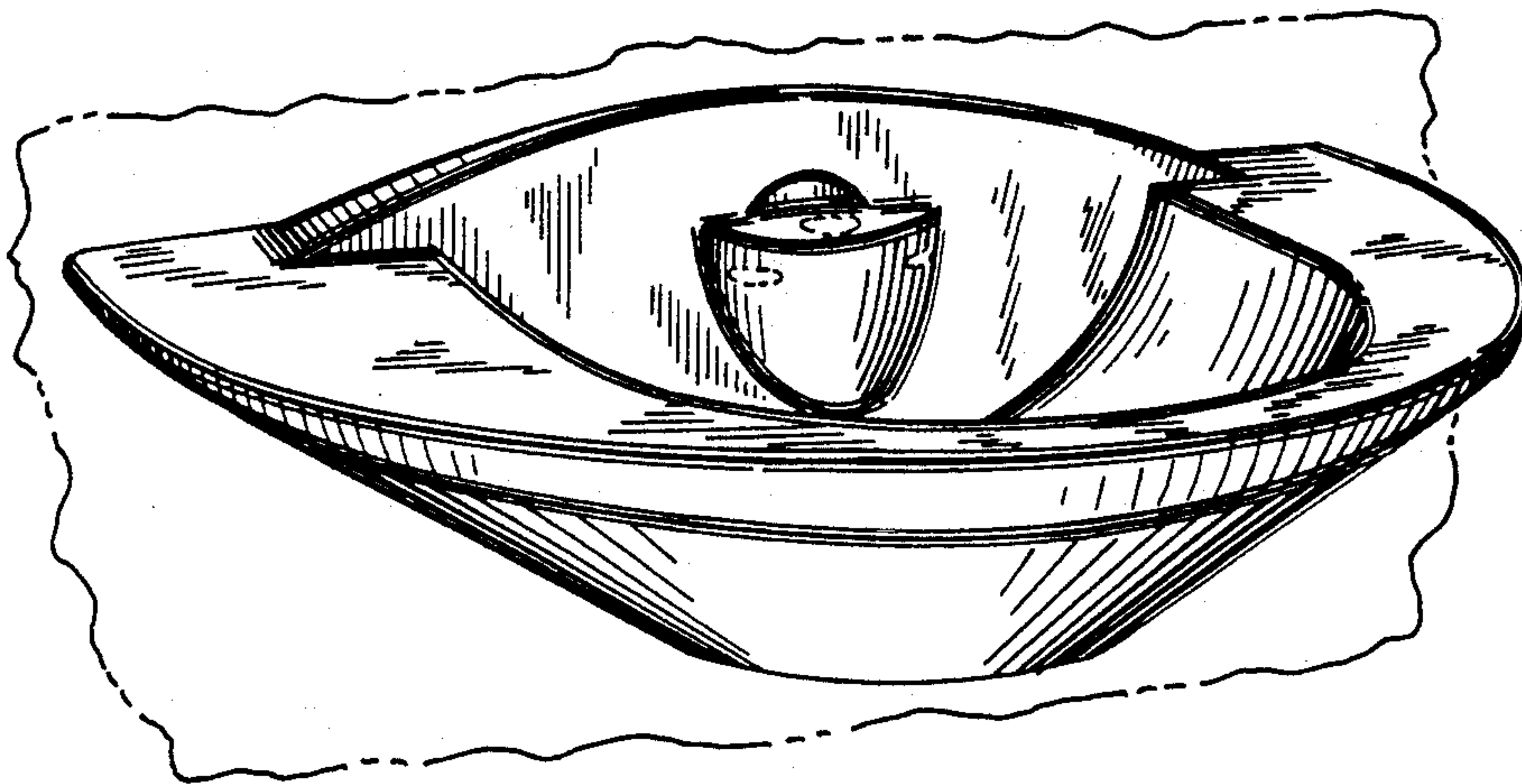
FIG. 16 is a front elevational view of FIG. 14;

FIG. 17 is a left side elevational view of FIG. 14, the right side being a mirror image of the left side;

FIG. 18 is a cross-sectional view taken on line 18—18 of FIG. 15; and,

FIG. 19 is a cross-sectional view taken on line 19—19 of FIG. 15.

The fragmentary broken line representation of a bathroom wall in FIGS. 1, 7 and 14, of a bathroom wall and floor in FIG. 13 and the broken line showing of a bathroom cabinet in FIG. 13 and openings in FIGS. 1, 2, 7, 8, 13, 14, 15 and 18 are for purposes of illustration only and form no part of the claimed design.





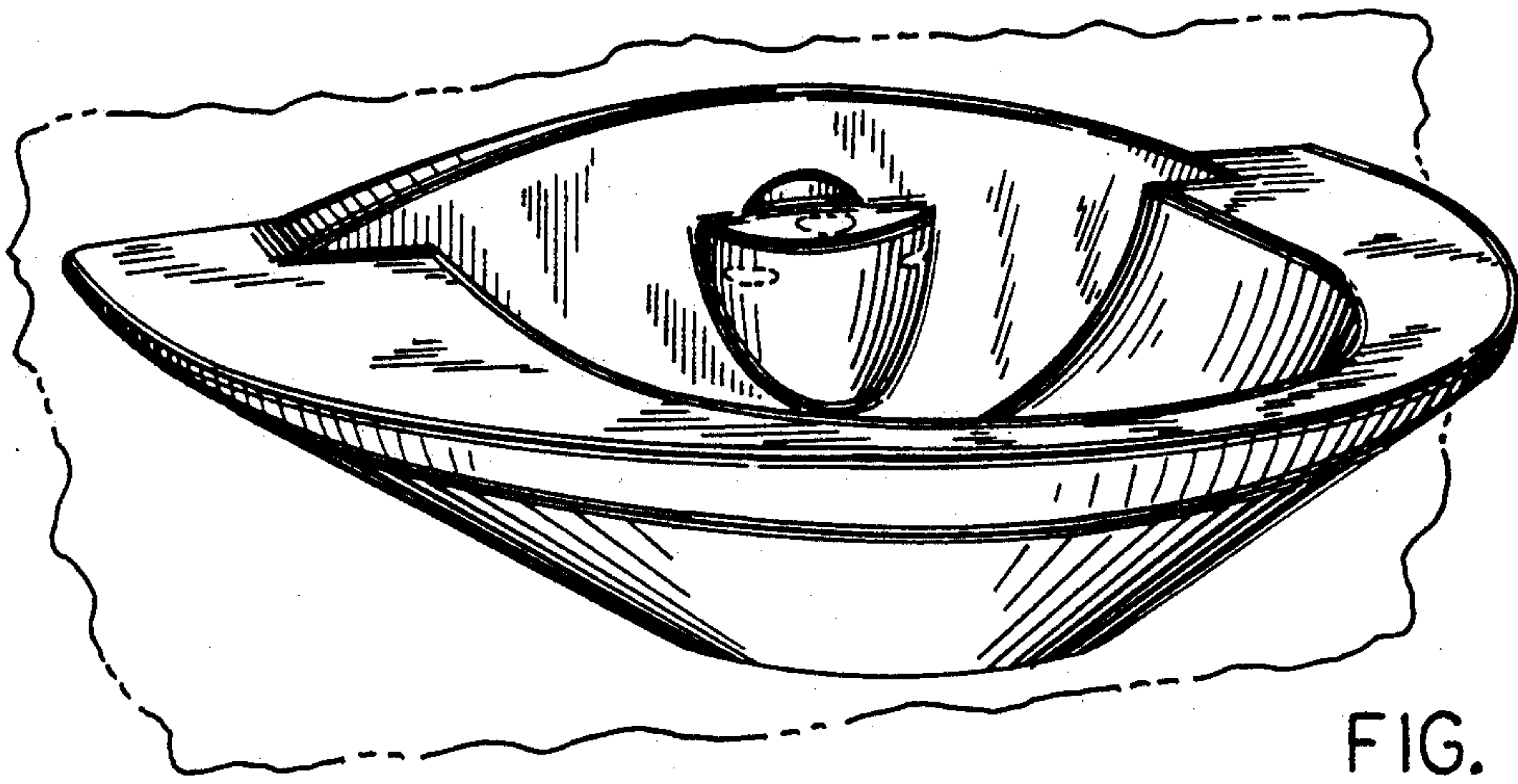


FIG. 1

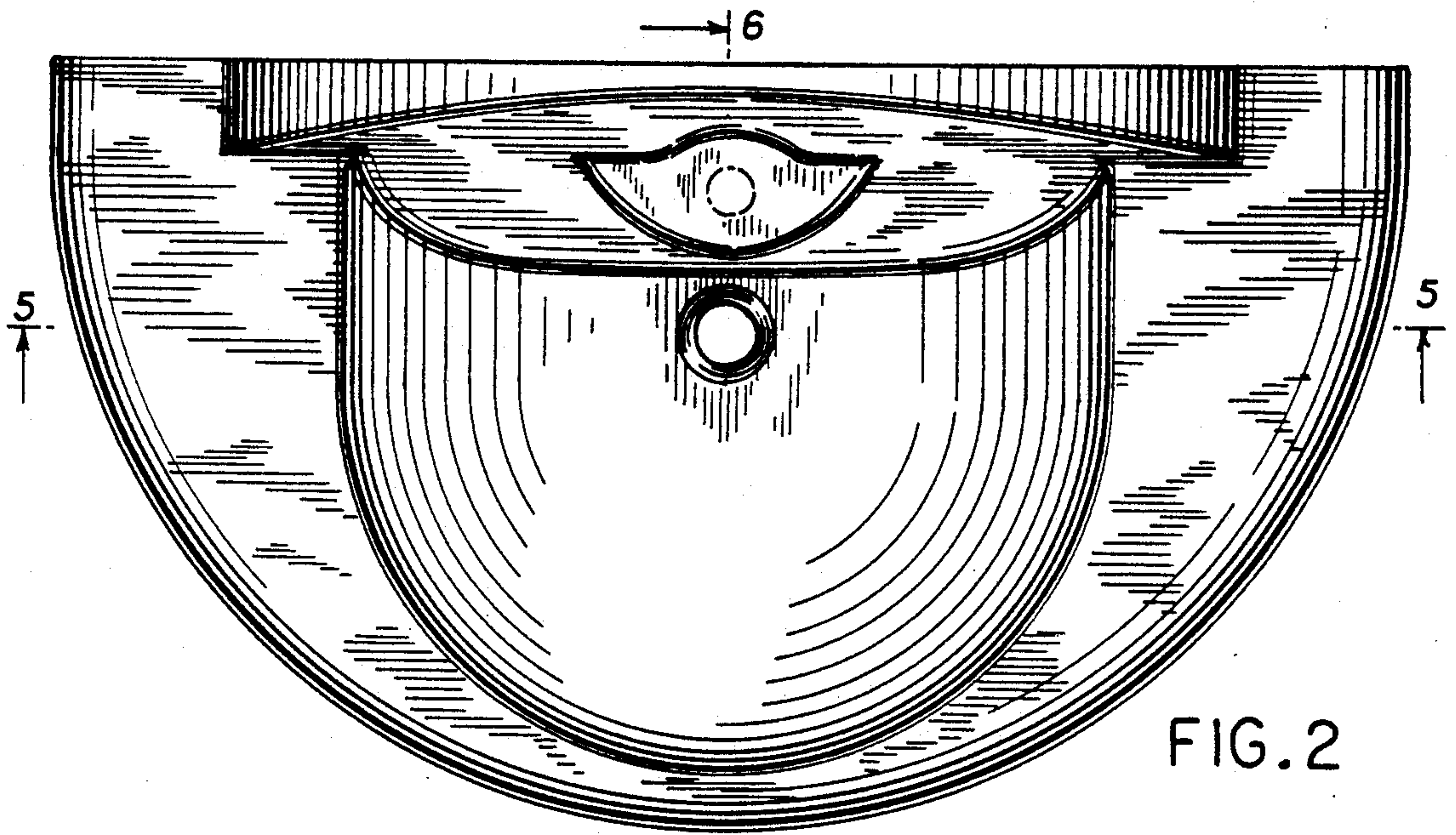


FIG. 2

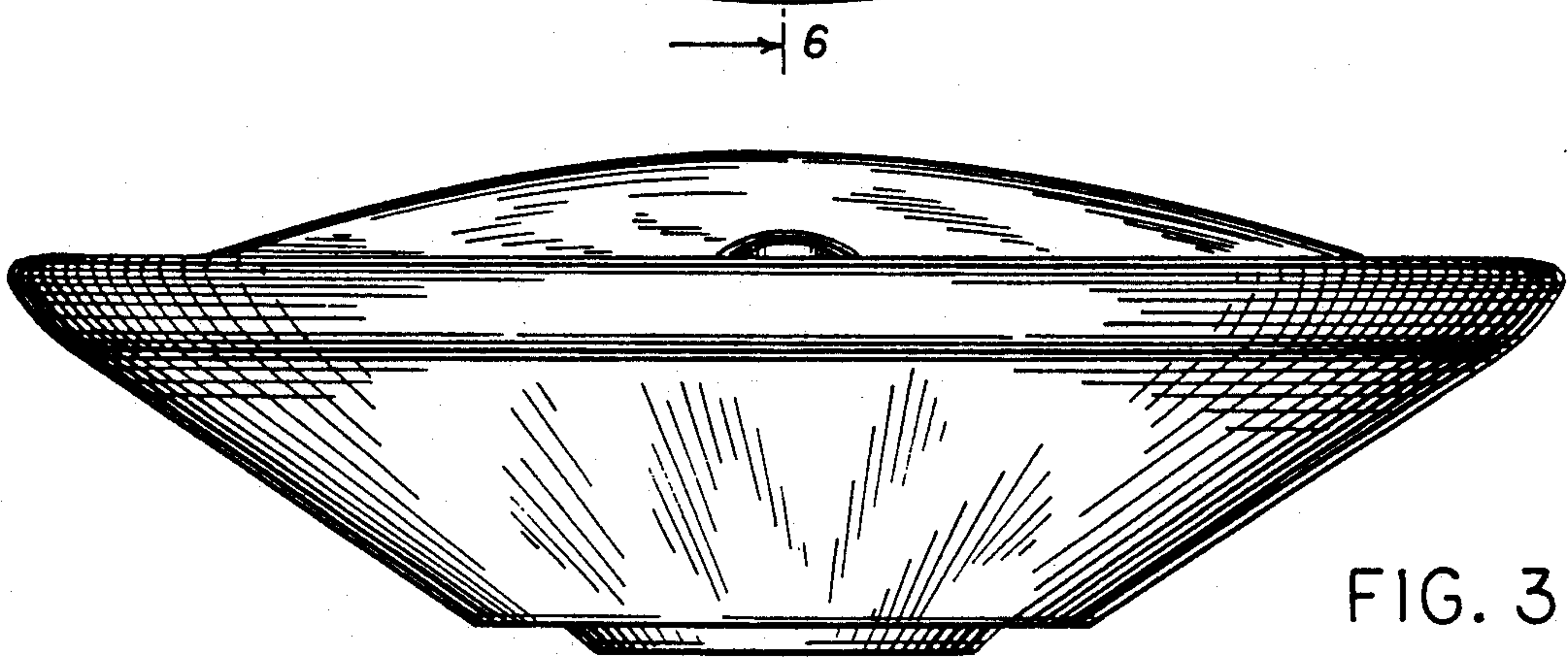


FIG. 3

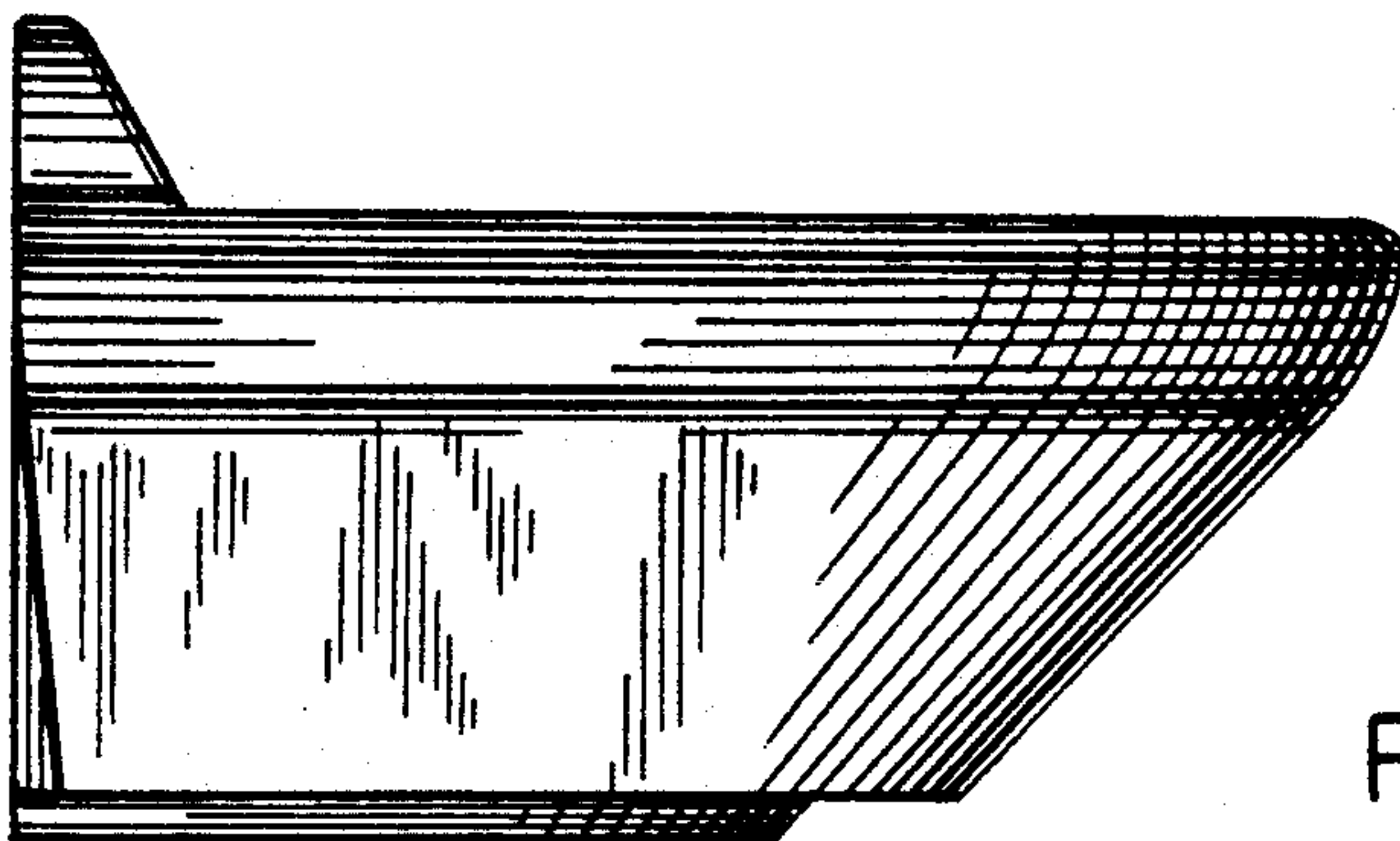


FIG. 4

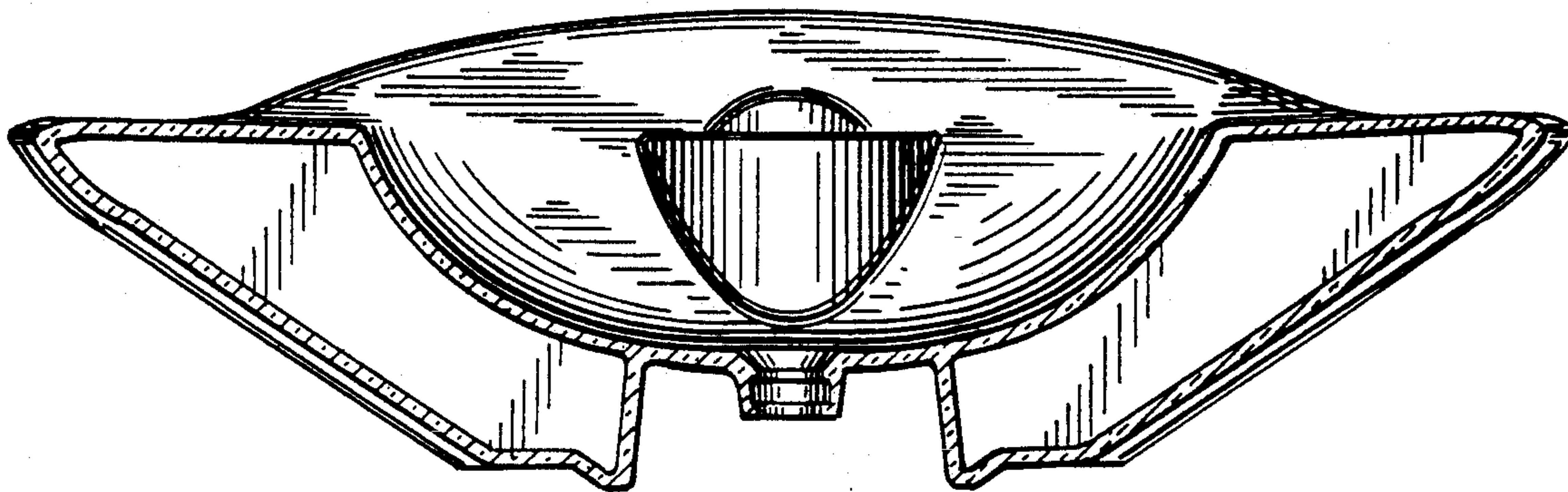


FIG. 5

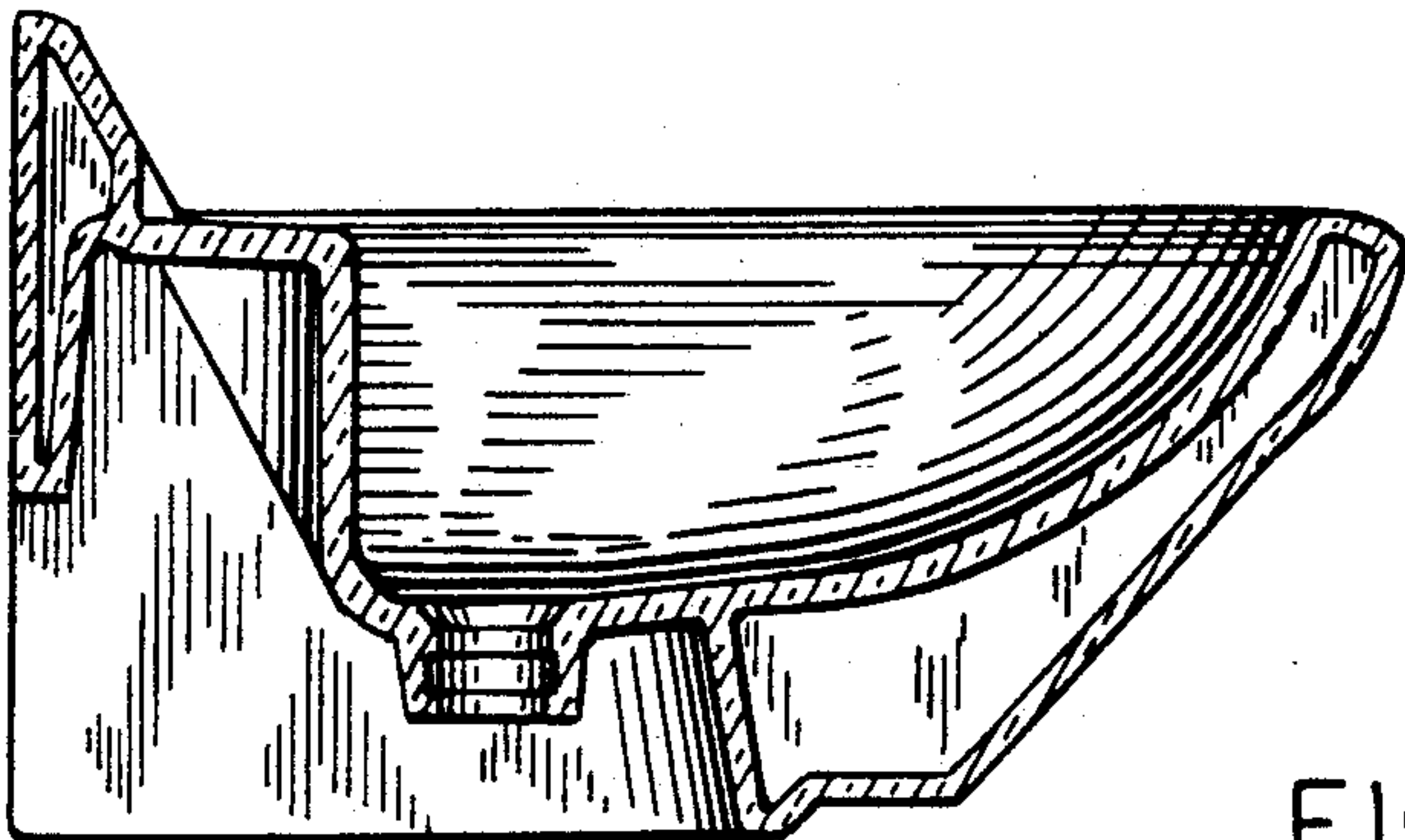


FIG. 6



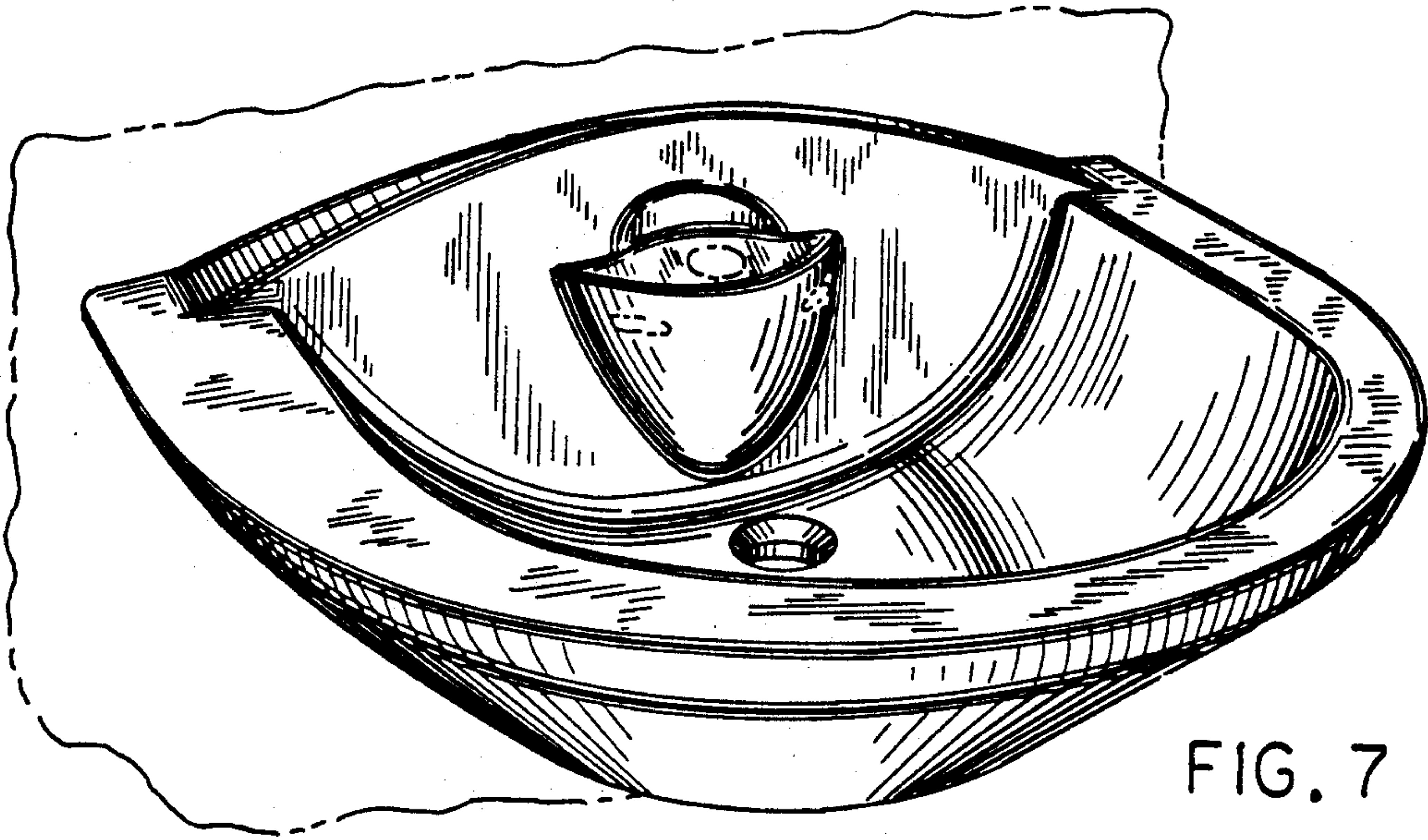


FIG. 7

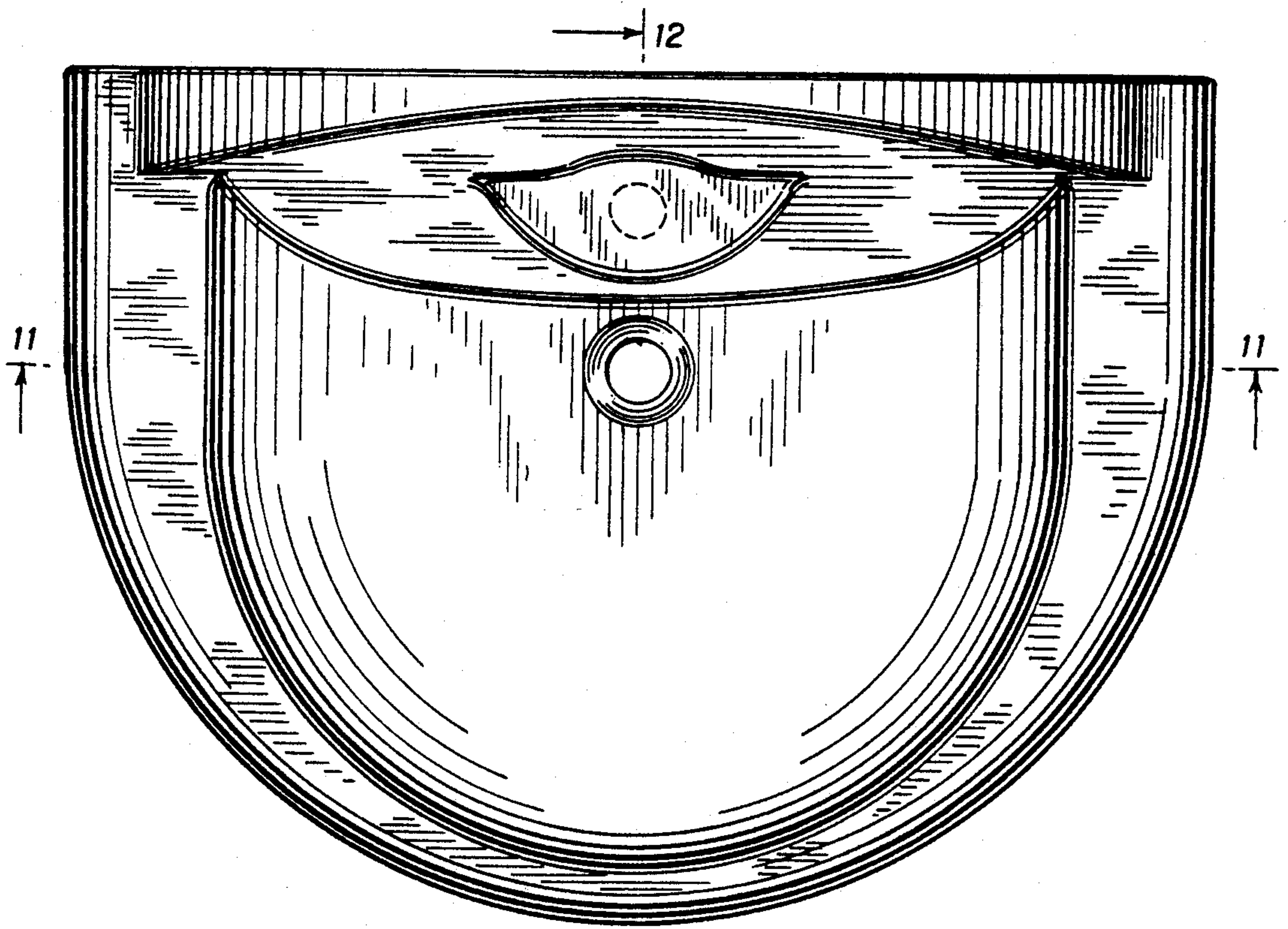


FIG. 8

FIG. 9

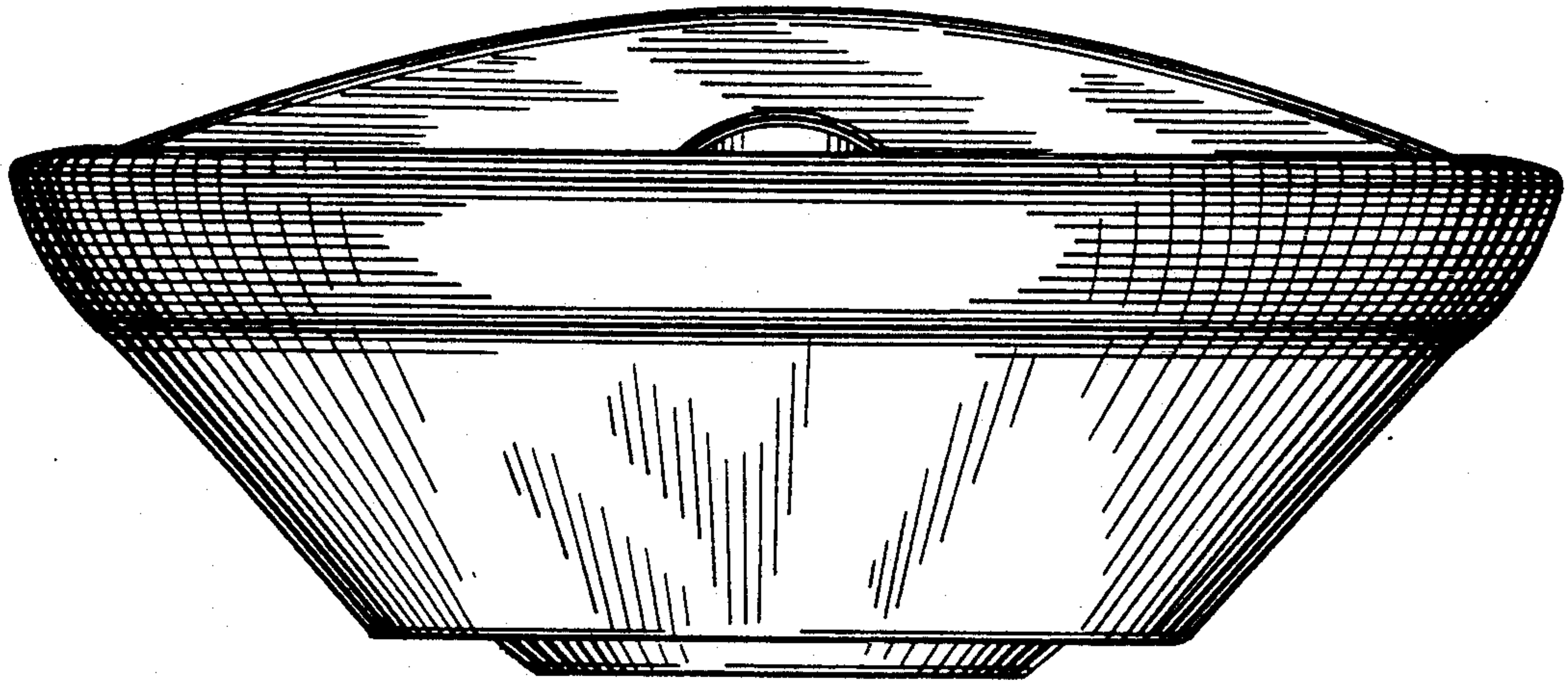


FIG. 10

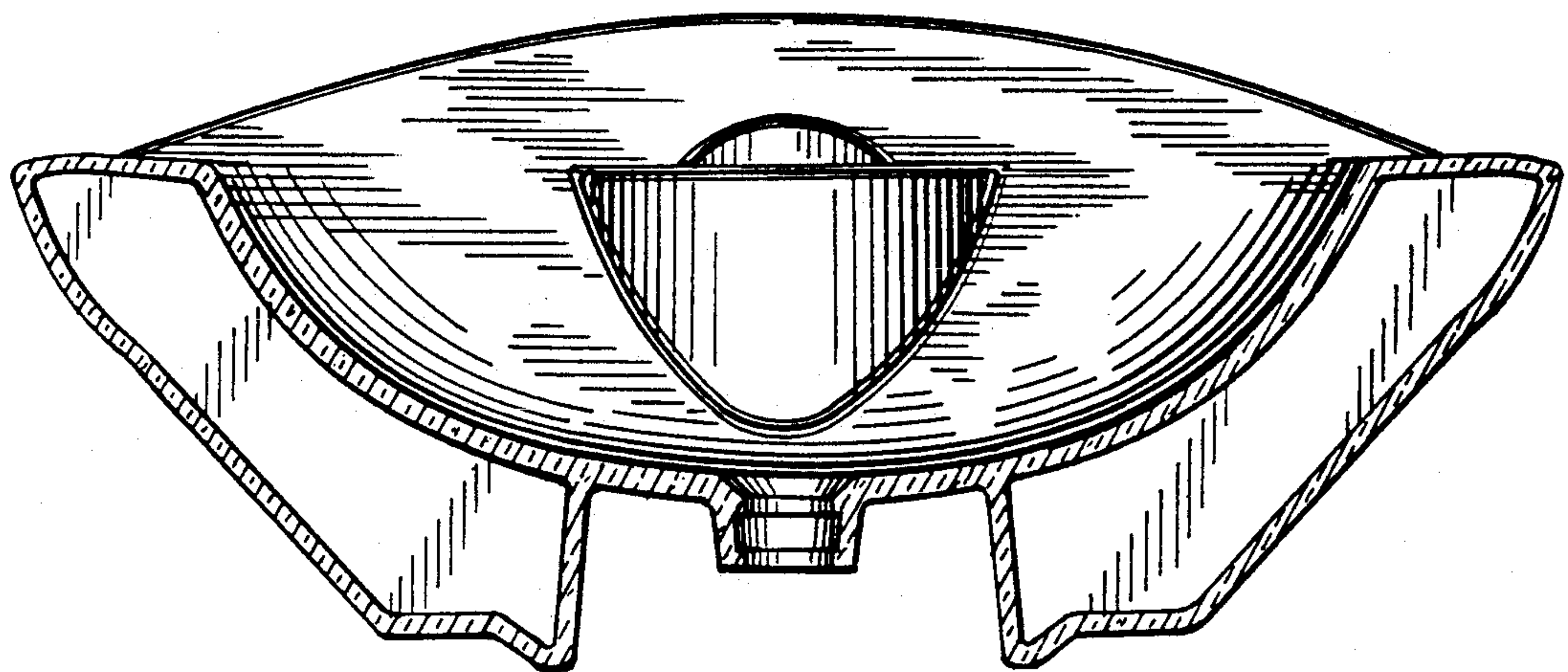
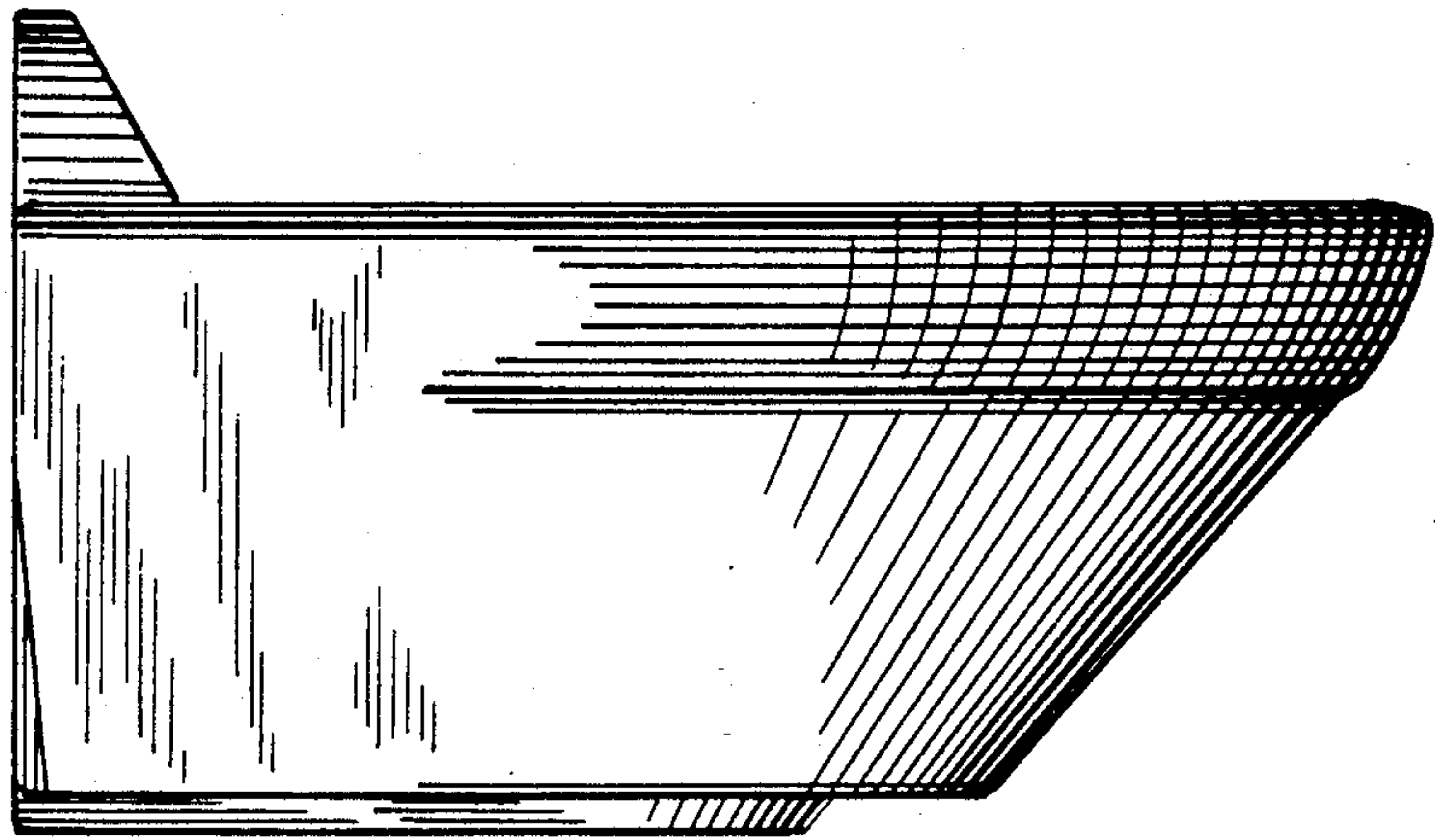


FIG. 11



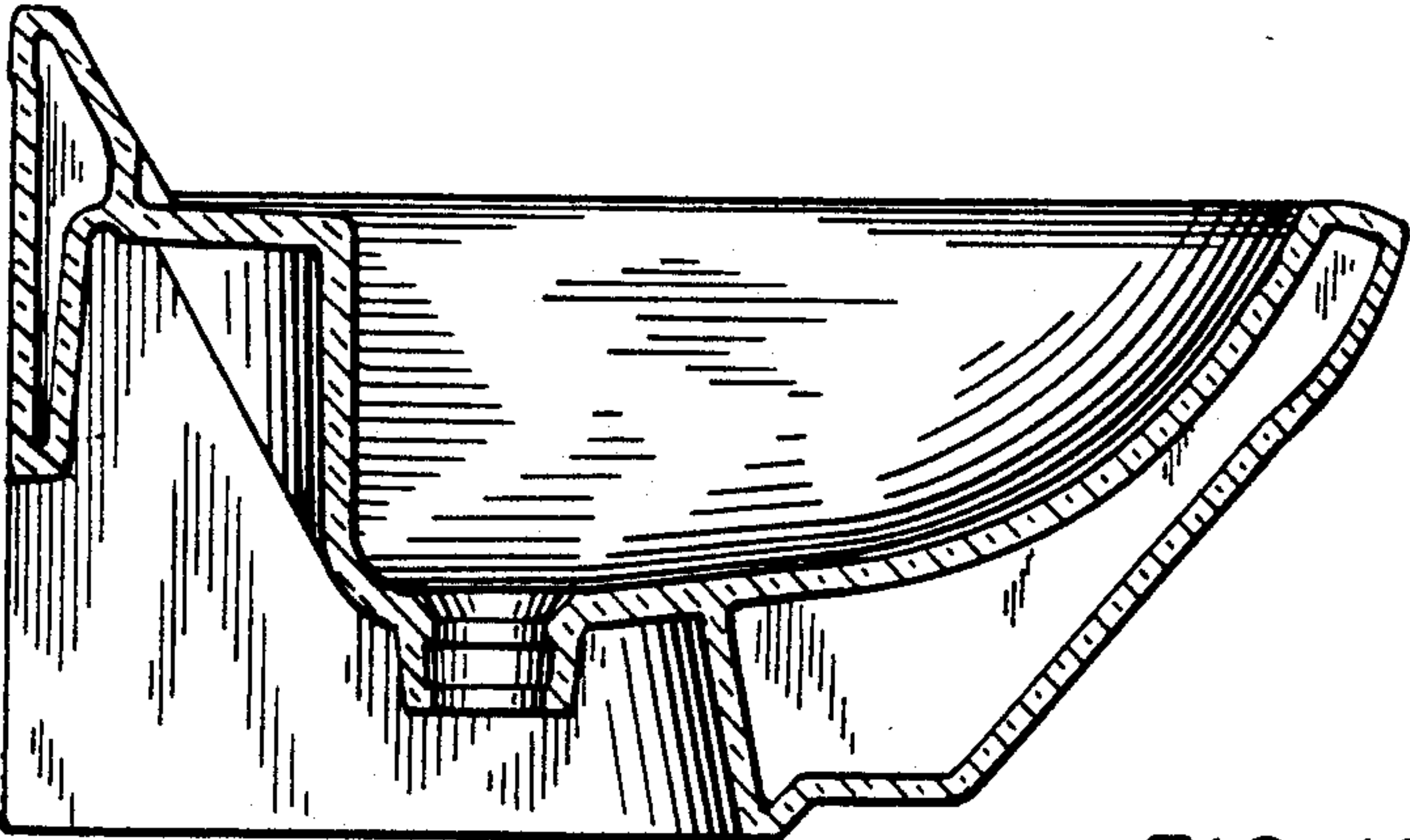
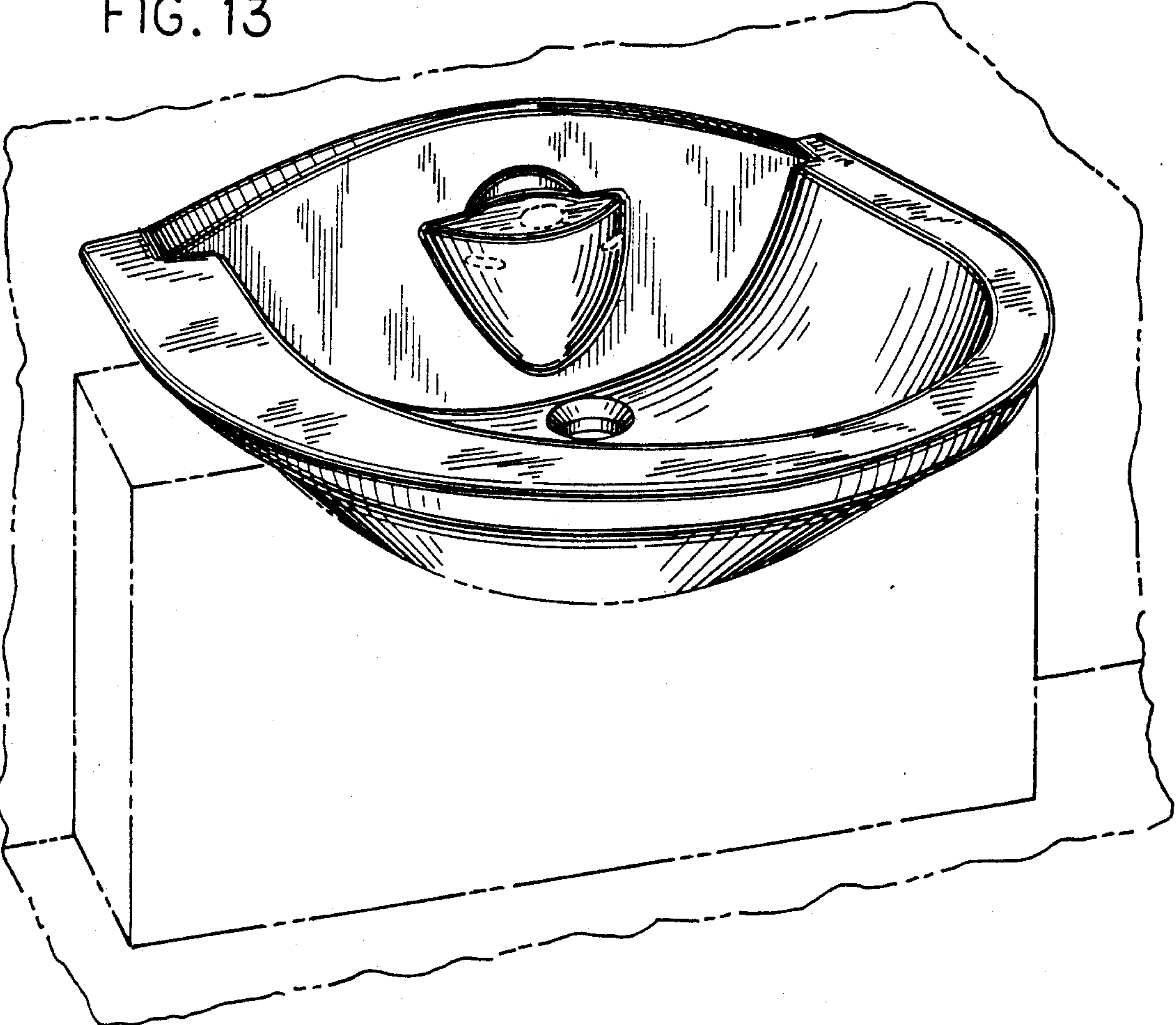


FIG. 12

FIG. 13



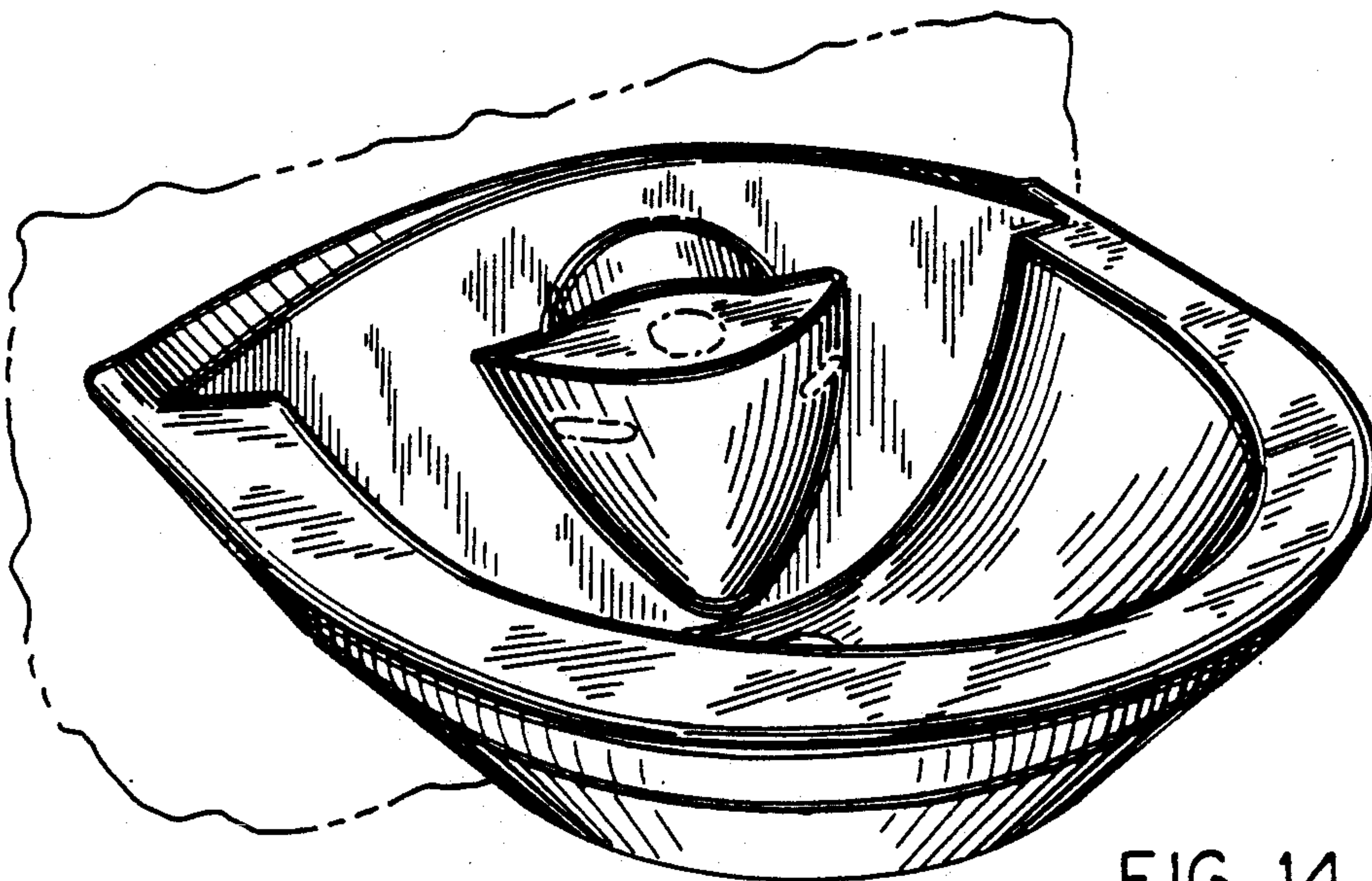


FIG. 14

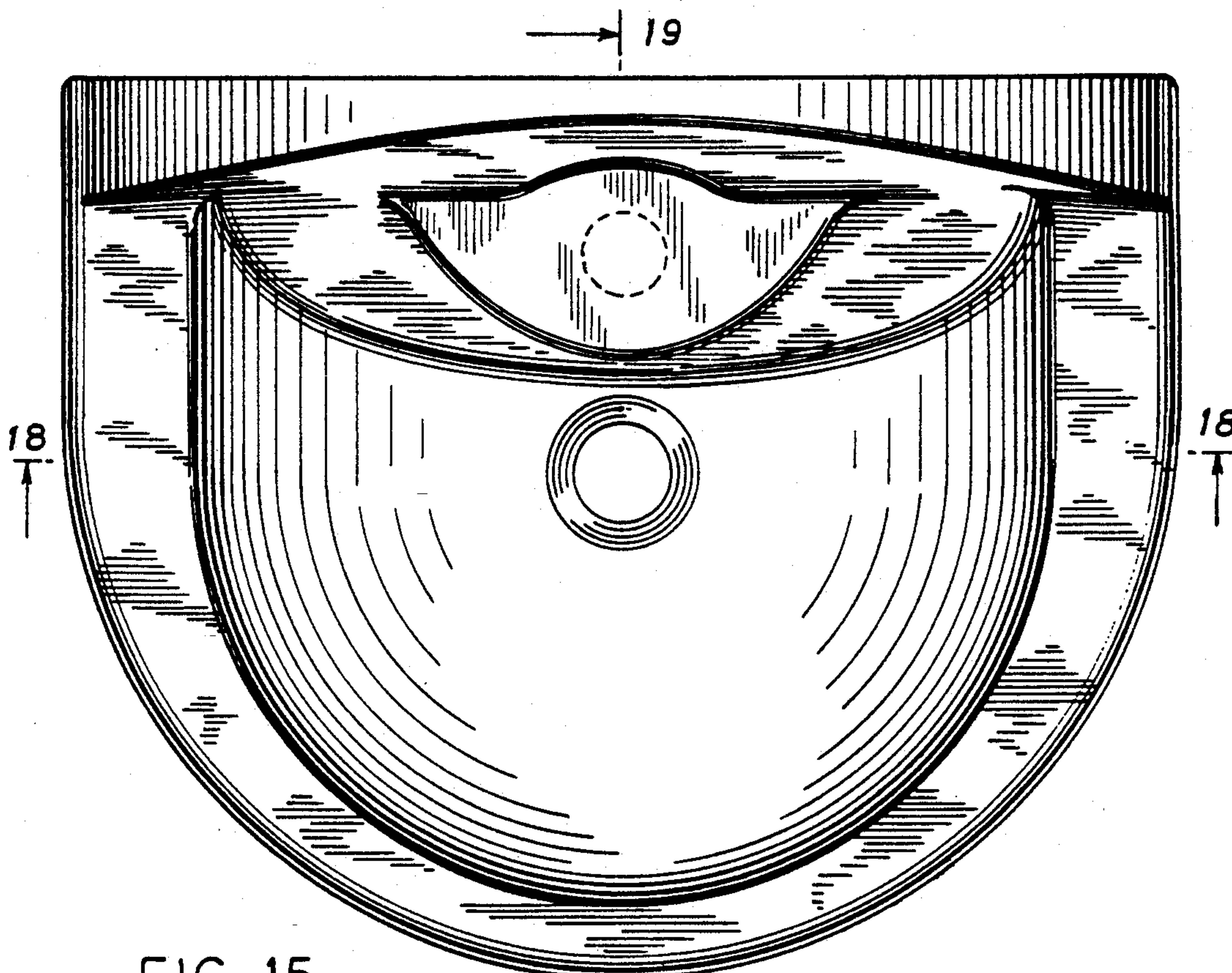


FIG. 15

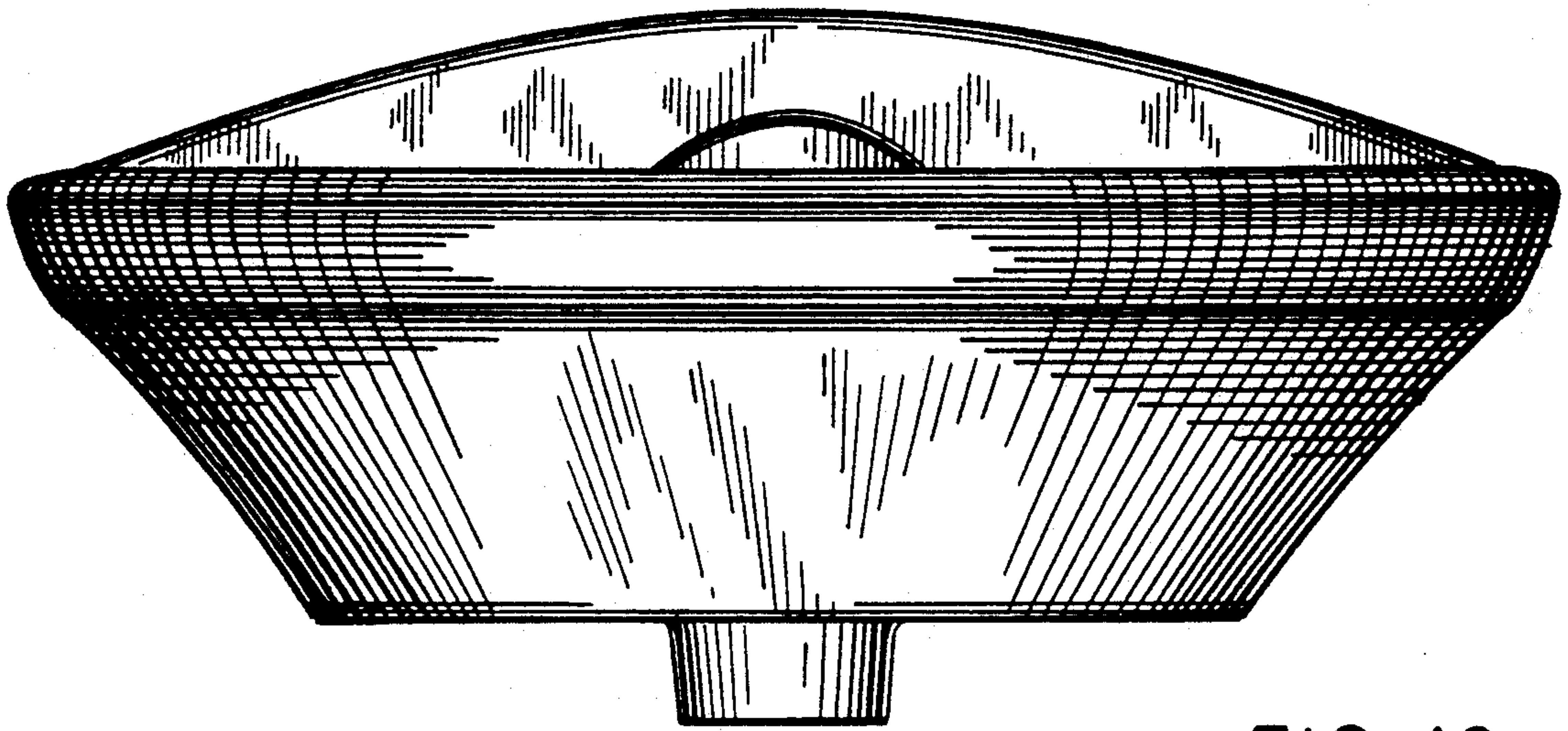


FIG. 16

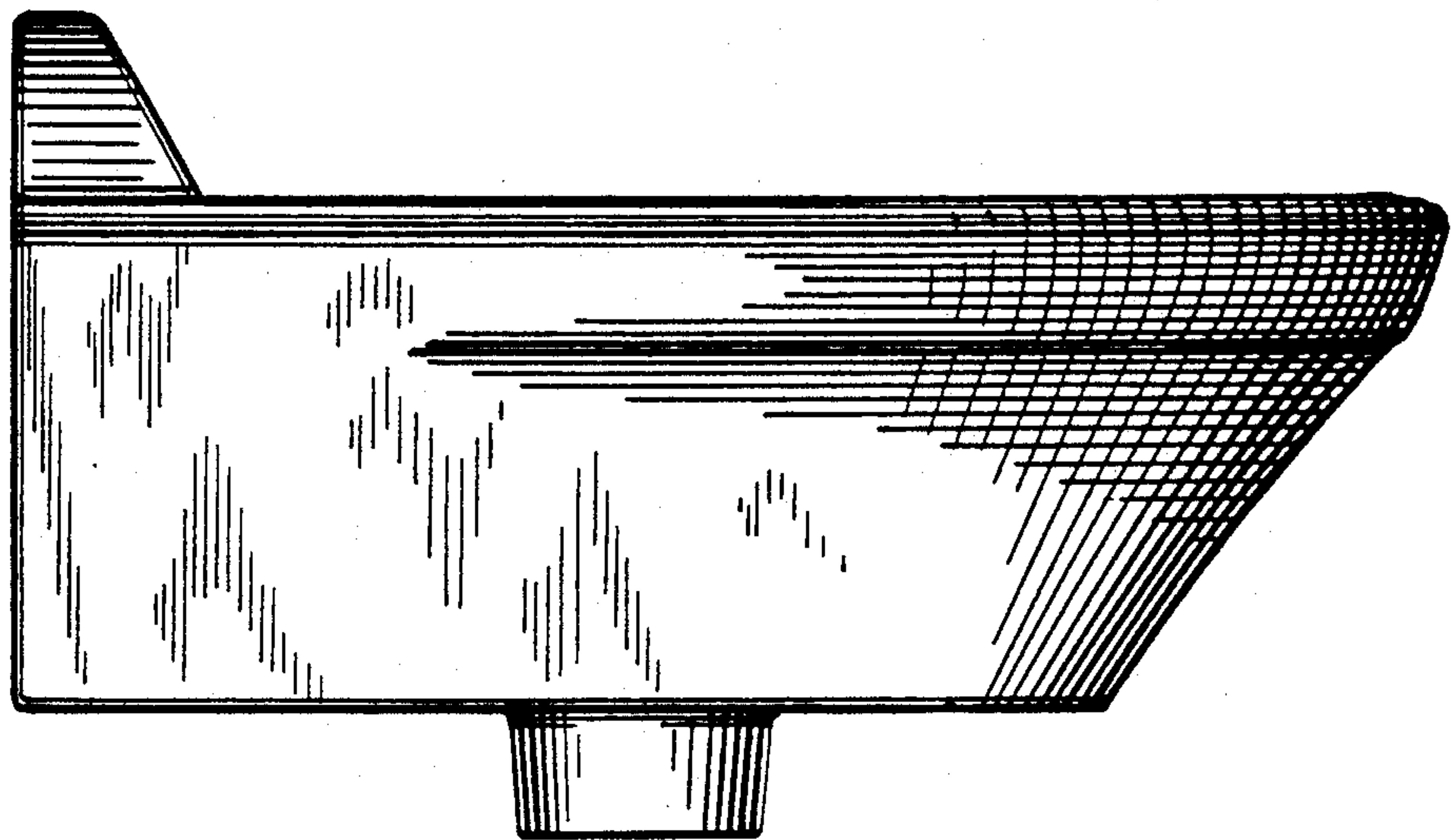


FIG. 17



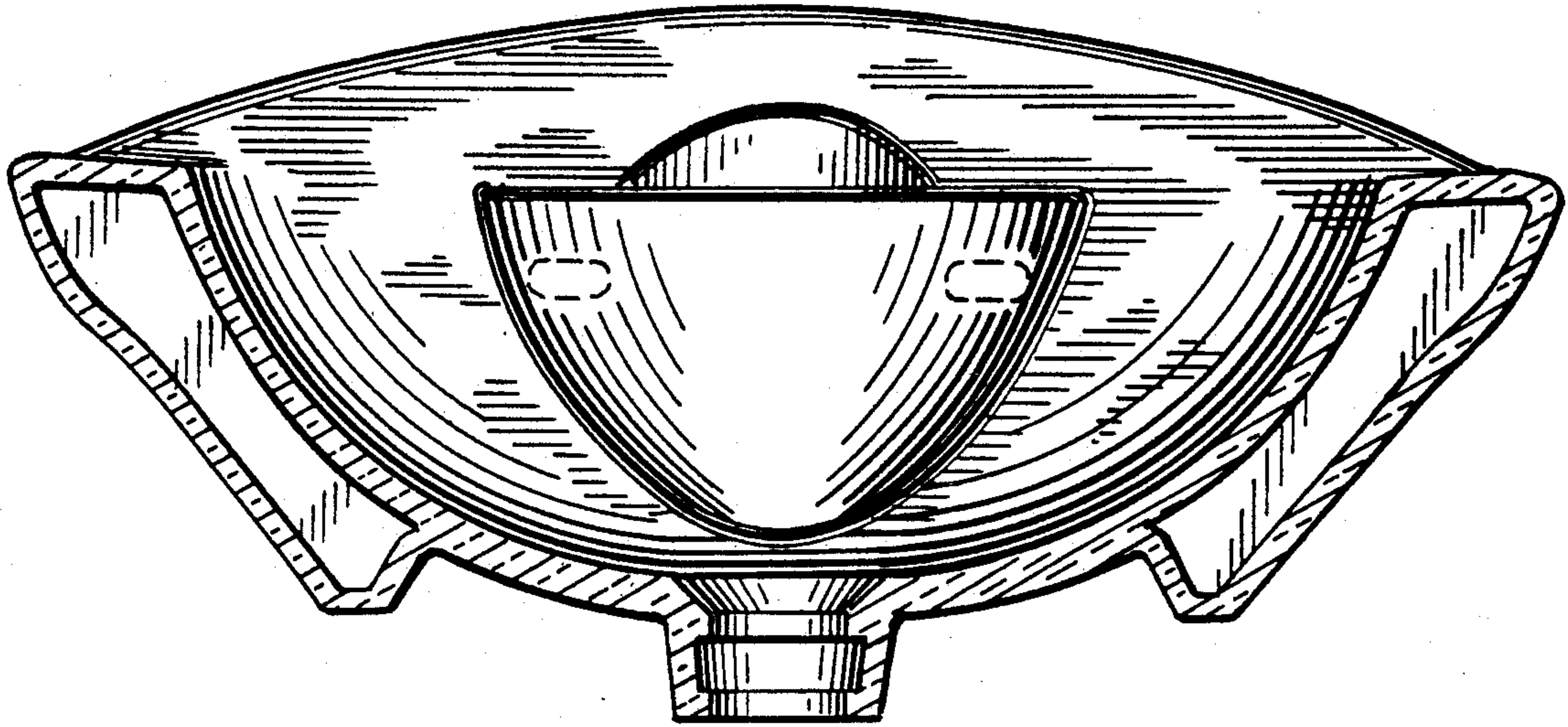


FIG. 18

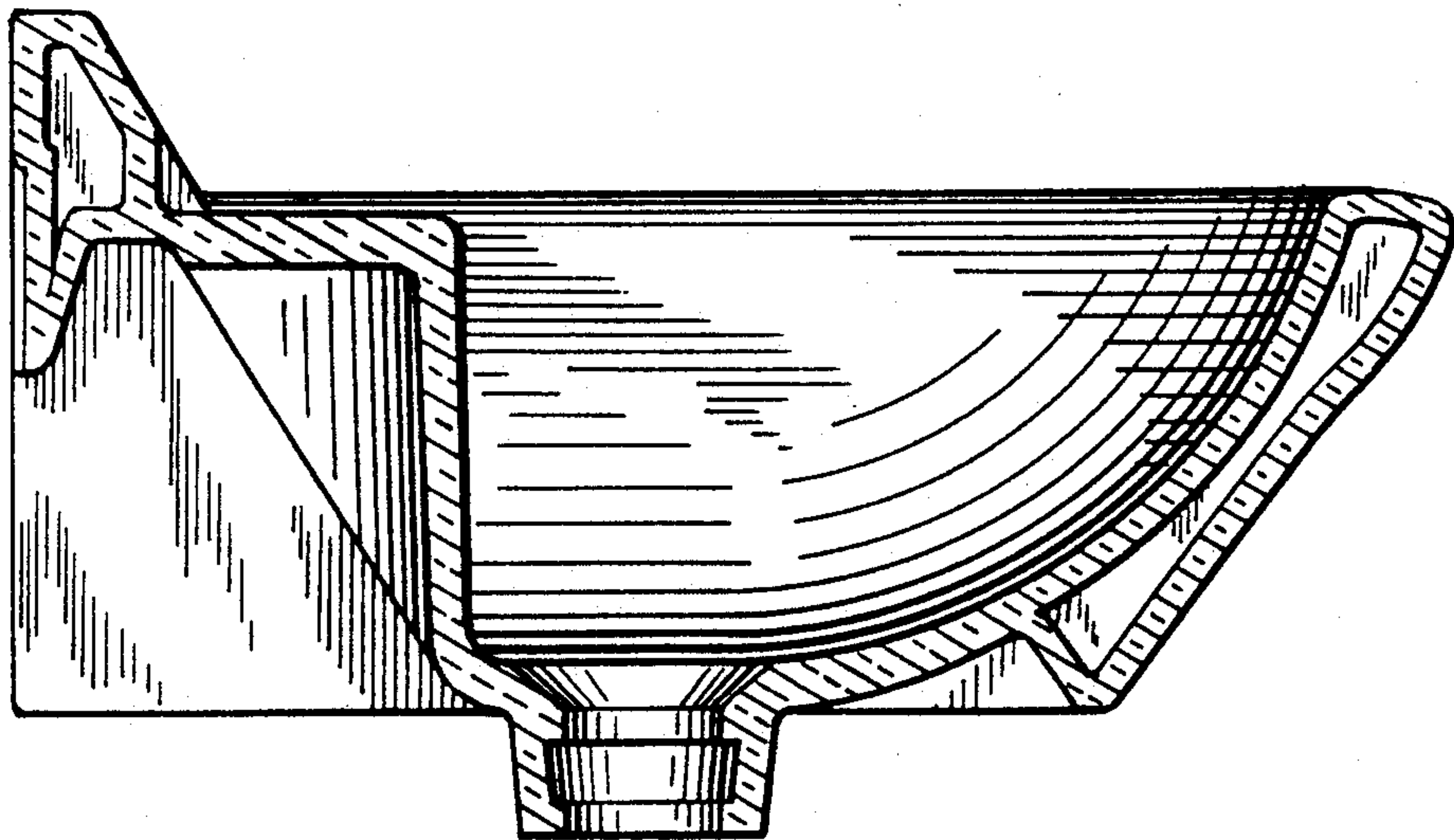


FIG. 19