



US00D338947S

United States Patent [19]

[11] Patent Number: **Des. 338,947**

Haruch et al.

[45] Date of Patent: **** Aug. 31, 1993**

[54] **SPRAY GUN**

| | | | |
|-----------|--------|-------------------|-----------|
| 4,389,017 | 6/1983 | Geberth, Jr. | 239/526 X |
| 4,457,472 | 7/1984 | Geberth, Jr. | 239/532 |
| 4,982,896 | 1/1991 | Crow | 239/532 X |

[75] Inventors: **James Haruch, Naperville; Binh N. Nguyen, Wheaton, both of Ill.**

Primary Examiner—Wallace R. Burke
Assistant Examiner—M. H. Tung
Attorney, Agent, or Firm—Leydig, Voit & Mayer

[73] Assignee: **Spraying Systems Co., Wheaton, Ill.**

[**] Term: **14 Years**

[57] **CLAIM**

[21] Appl. No.: **721,222**

The ornamental design for a spray gun, as shown and described.

[22] Filed: **Jun. 25, 1991**

[52] U.S. Cl. **D23/223**

[58] Field of Search **D23/213, 223-227;**
239/301, 332, 373, 394, 414-415, 525-528, 532,
554, 556

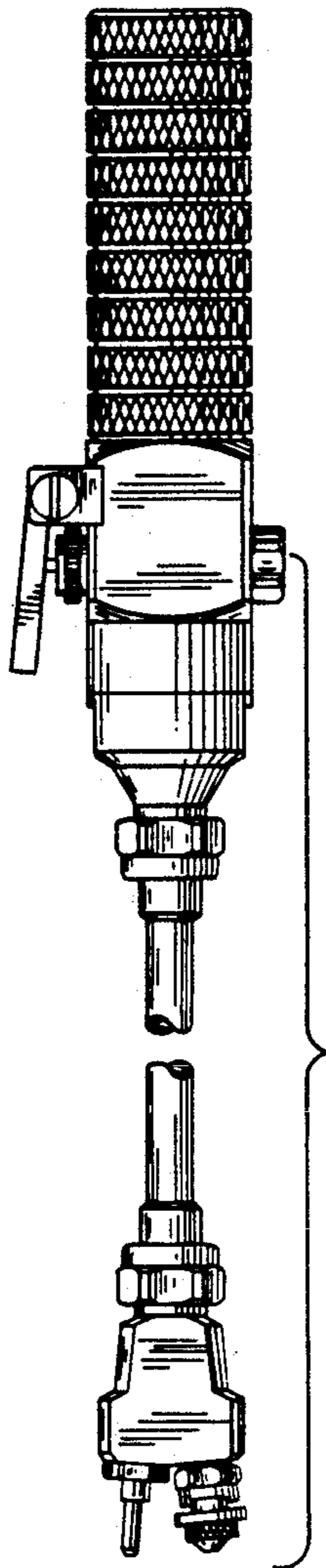
DESCRIPTION

[56] **References Cited**

U.S. PATENT DOCUMENTS

| | | | |
|------------|--------|---------------------|-----------|
| D. 310,405 | 9/1990 | Proctor et al. | D23/223 X |
| D. 327,943 | 7/1992 | Tsai | D23/213 |
| 2,993,650 | 7/1961 | Badberg | 239/525 X |
| 3,387,627 | 6/1968 | Marshall | 239/525 X |

FIG. 1 is a top plan view of a spray gun showing our new design;
FIG. 2 is a front elevational view thereof, the rear view being a mirror image;
FIG. 3 is a bottom plan view thereof;
FIG. 4 is an end elevational view thereof, on an enlarged scale; and,
FIG. 5 is an opposite end elevational view thereof, on an enlarged scale.



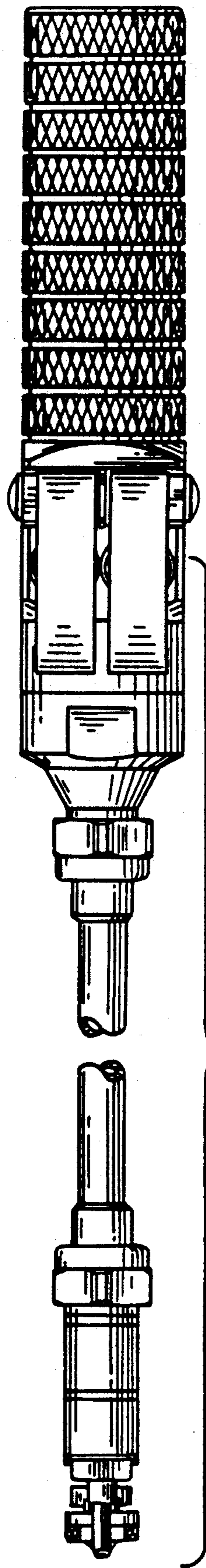


FIG. 1

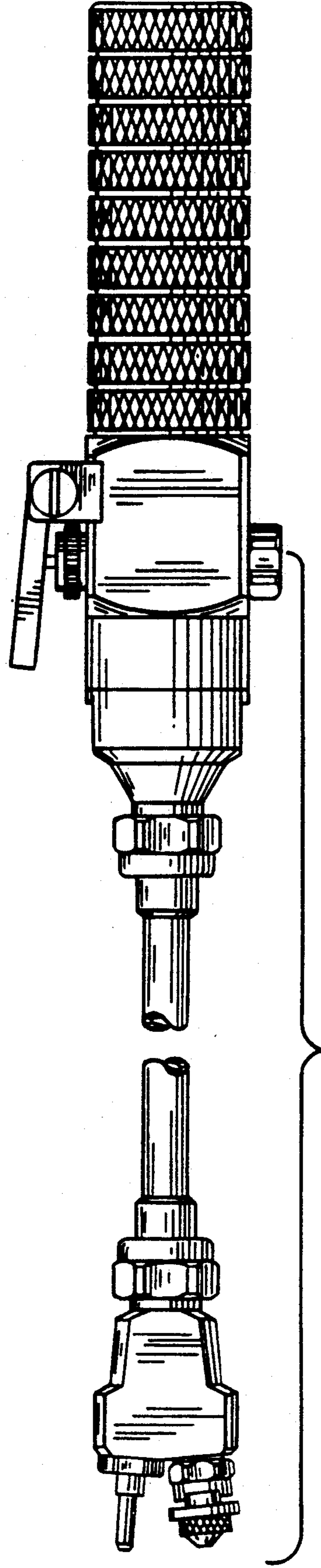


FIG. 2

