



US00D338946S

United States Patent [19]

[11] Patent Number: **Des. 338,946**

Taylor et al.

[45] Date of Patent: **** Aug. 31, 1993**

[54] **FAUCET MOUNTED WATER PURIFIER**

[75] Inventors: **John Taylor**, St. Louis Park; **H. David Dalquist, III**, Minnetonka, both of Minn.

[73] Assignee: **Northland Aluminum Products, Inc.**, Minneapolis, Minn.

[**] Term: **14 Years**

[21] Appl. No.: **819,924**

[22] Filed: **Jan. 13, 1992**

[52] U.S. Cl. **D23/209**

[58] Field of Search **D23/207-210;**
210/97, 198.1, 205-206, 231, 244-246, 257.1,
-257.2, 258, 260-261, 275, 282, 287-290, 295,
321.6, 321.78, 348, 416.3, 443-449

[56] **References Cited**

U.S. PATENT DOCUMENTS

D. 224,105	7/1972	Turturro	D23/209
D. 277,305	1/1985	Grube	D23/209
D. 285,958	9/1986	Koizumi et al.	D23/209
D. 328,942	8/1992	Igami et al.	D23/209
4,770,768	9/1988	Lang	210/282 X

Primary Examiner—Wallace R. Burke

Assistant Examiner—M. H. Tung
Attorney, Agent, or Firm—Haugen and Nikolai

[57] **CLAIM**

The ornamental design for a faucet mounted water purifier, as shown and described.

DESCRIPTION

FIG. 1 is a side perspective view of the faucet mounted water purifier embodying the design of the present invention;

FIG. 2 is a right side view of the faucet mounted water purifier of the present invention, the broken line drawing of a faucet is for illustrative purposes only and forms no part of the claimed design;

FIG. 3 is a front view of the faucet mounted water purifier of the present invention;

FIG. 4 is a left side view of the faucet mounted water purifier of the present invention;

FIG. 5 is a rear view of the faucet mounted water purifier of the present invention;

FIG. 6 is a top view of the faucet mounted water purifier of the present invention;

FIG. 7 is a bottom view of the faucet mounted water purifier of the present invention; and,

FIG. 8 is a cut-away view along line 8—8 of the faucet mounted water purifier of the present invention.

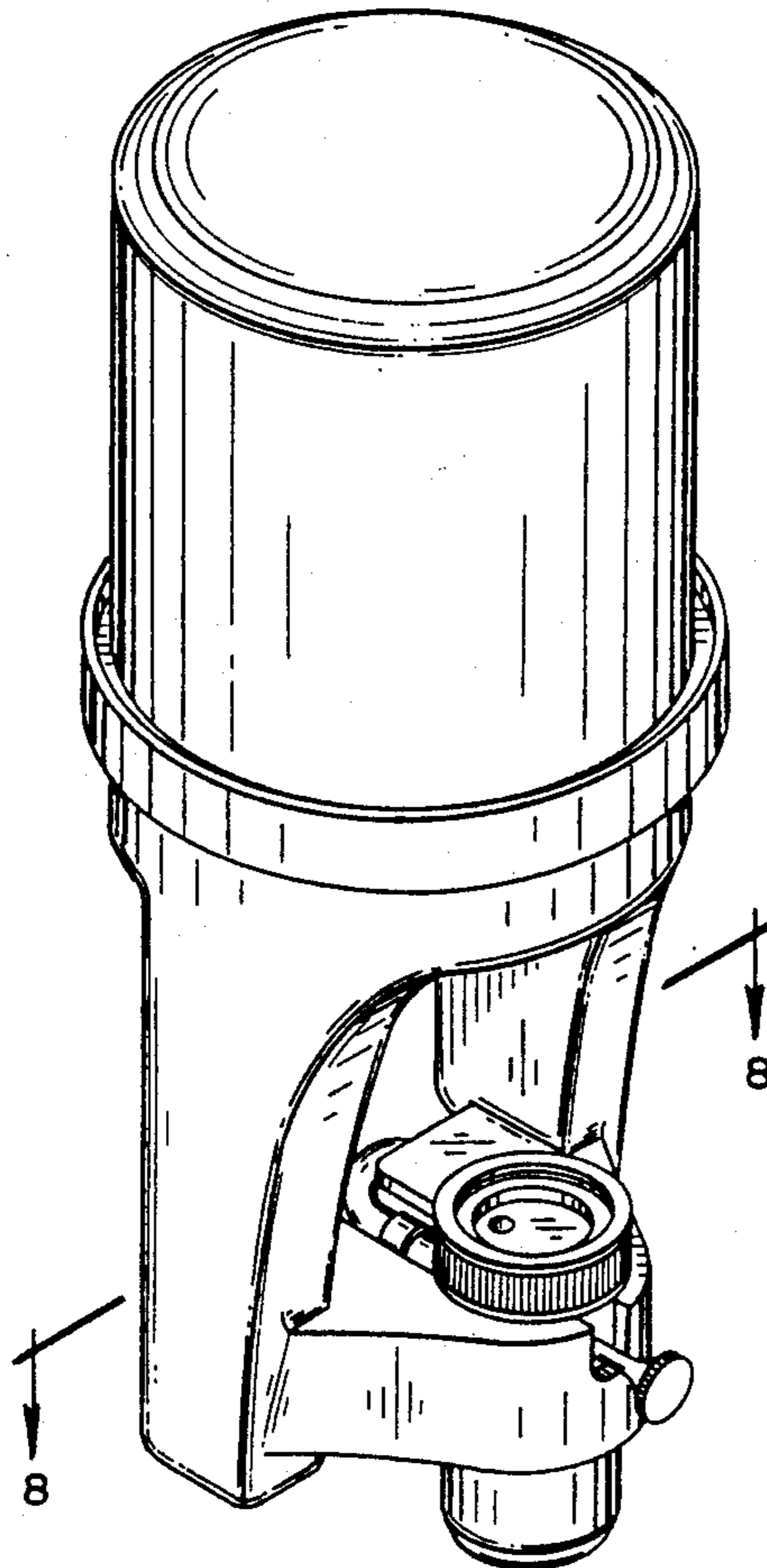


Fig.-1

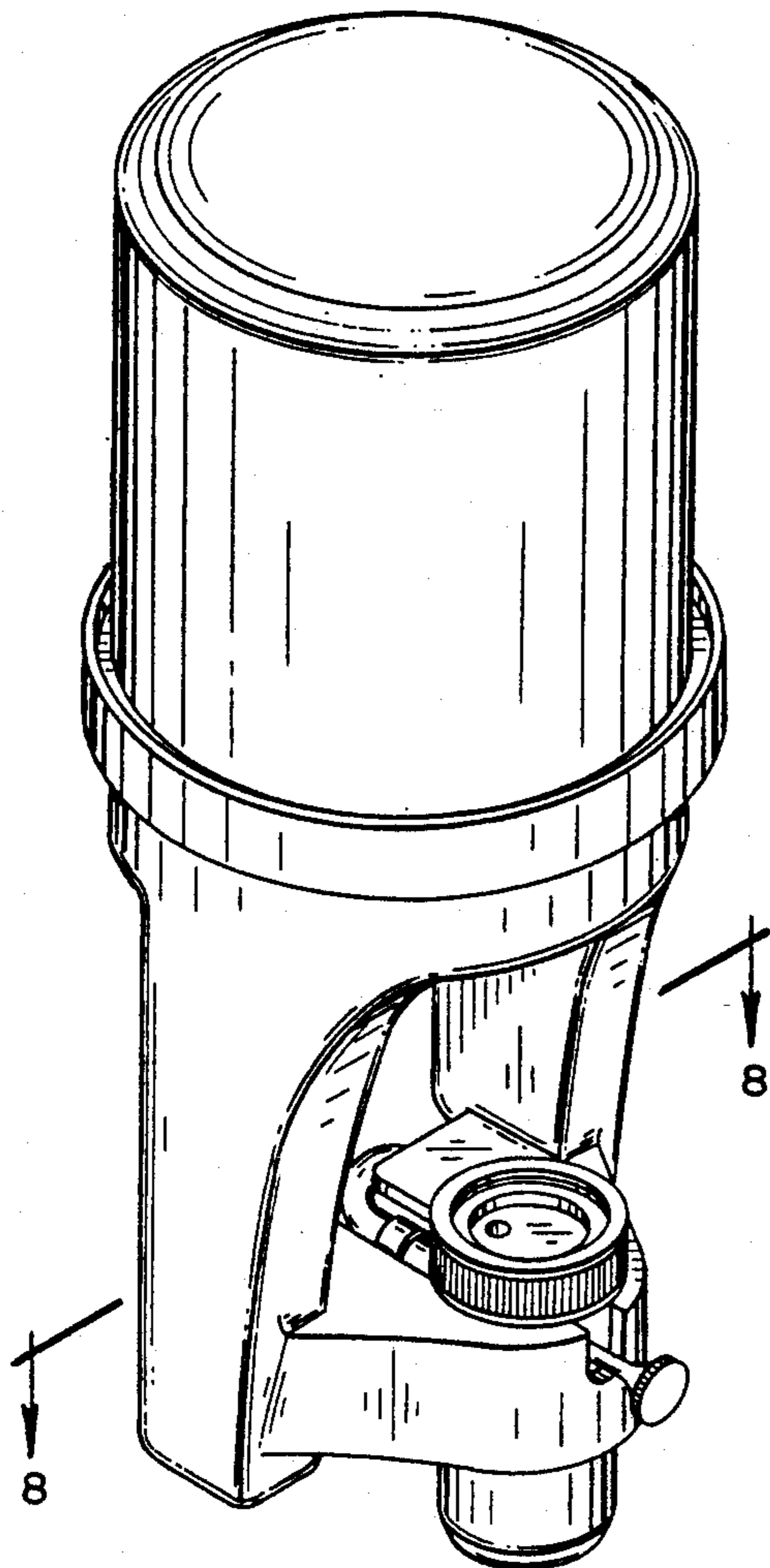


Fig.-2

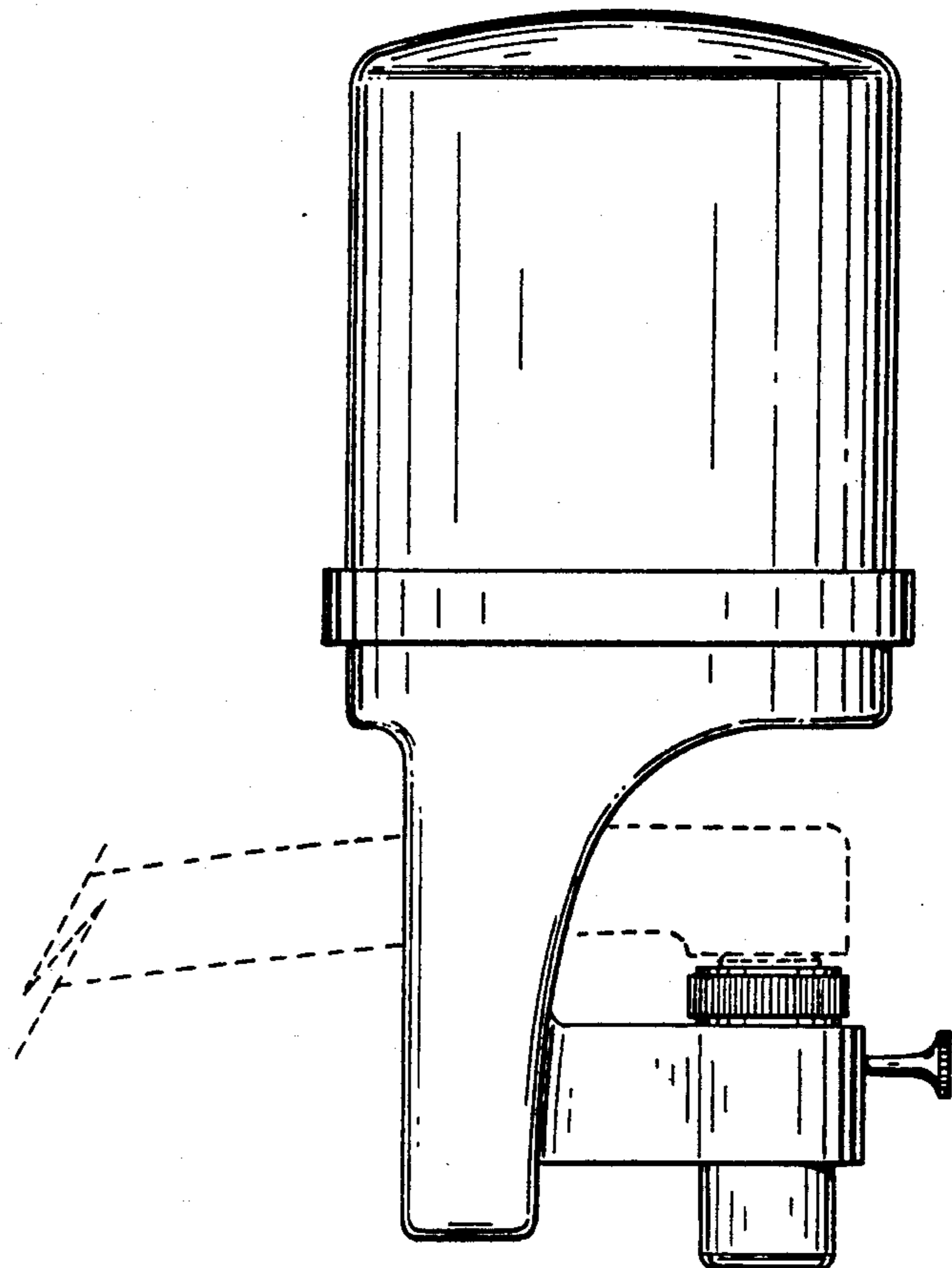


Fig.-3

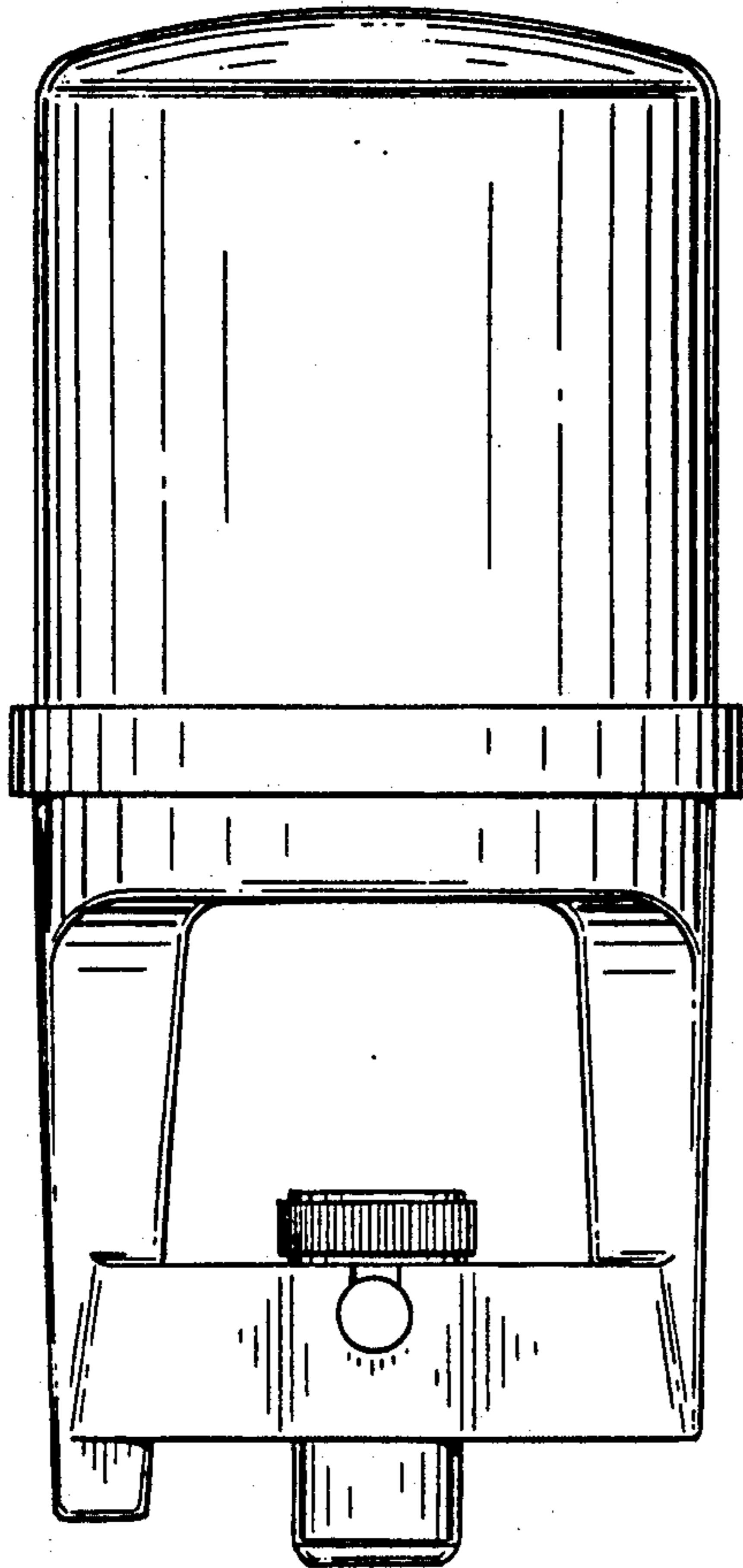


Fig.-4

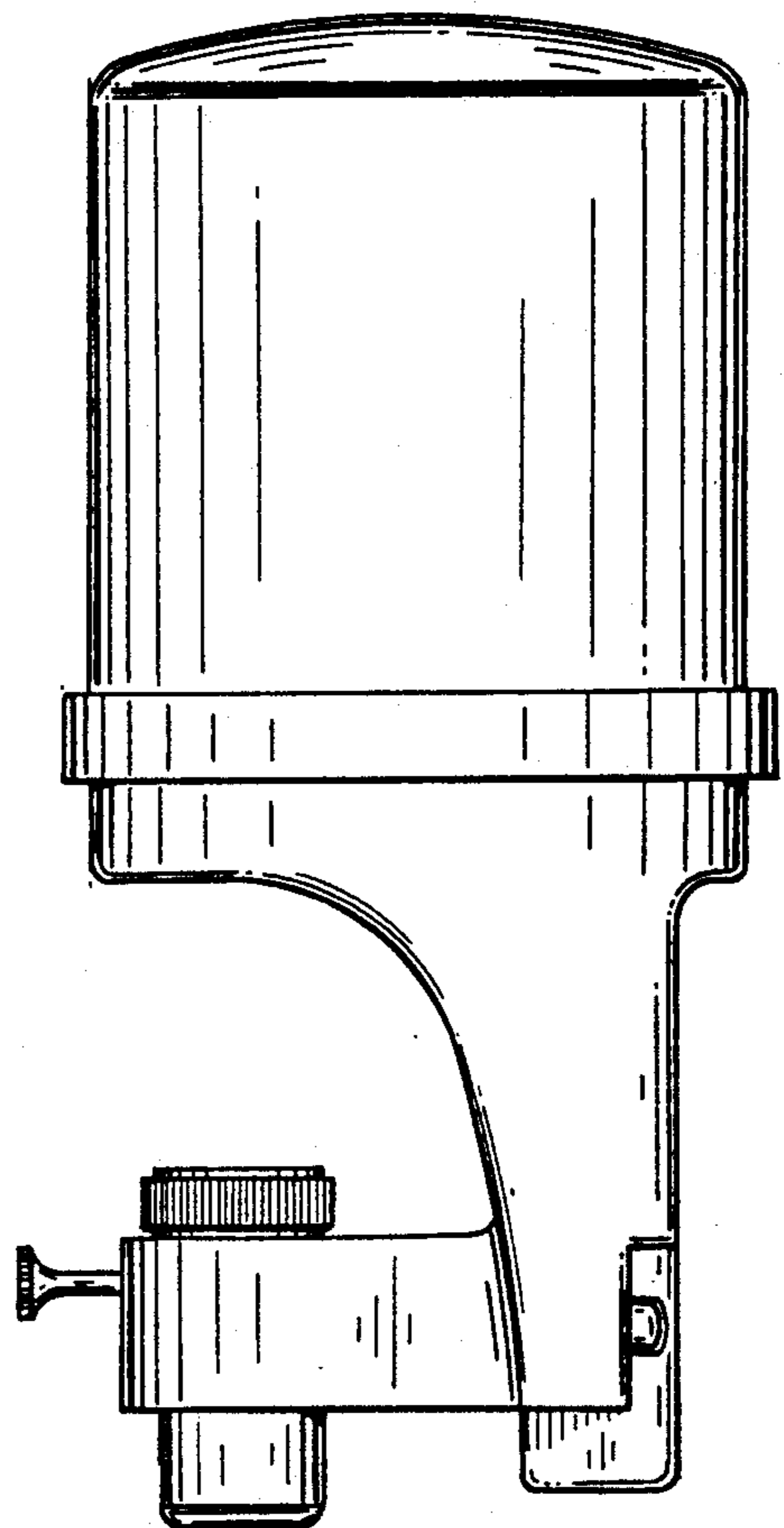


Fig.-5

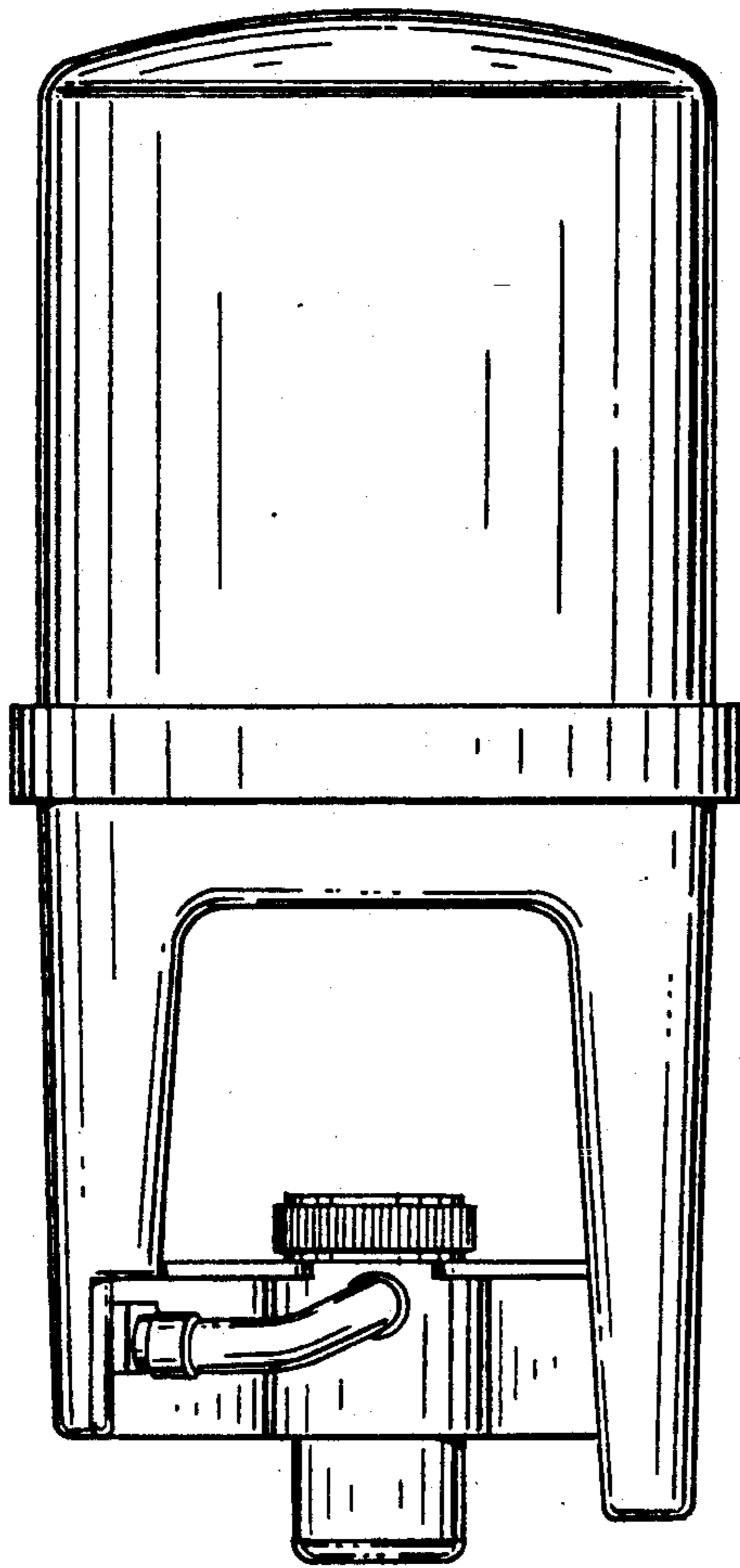


Fig.-6

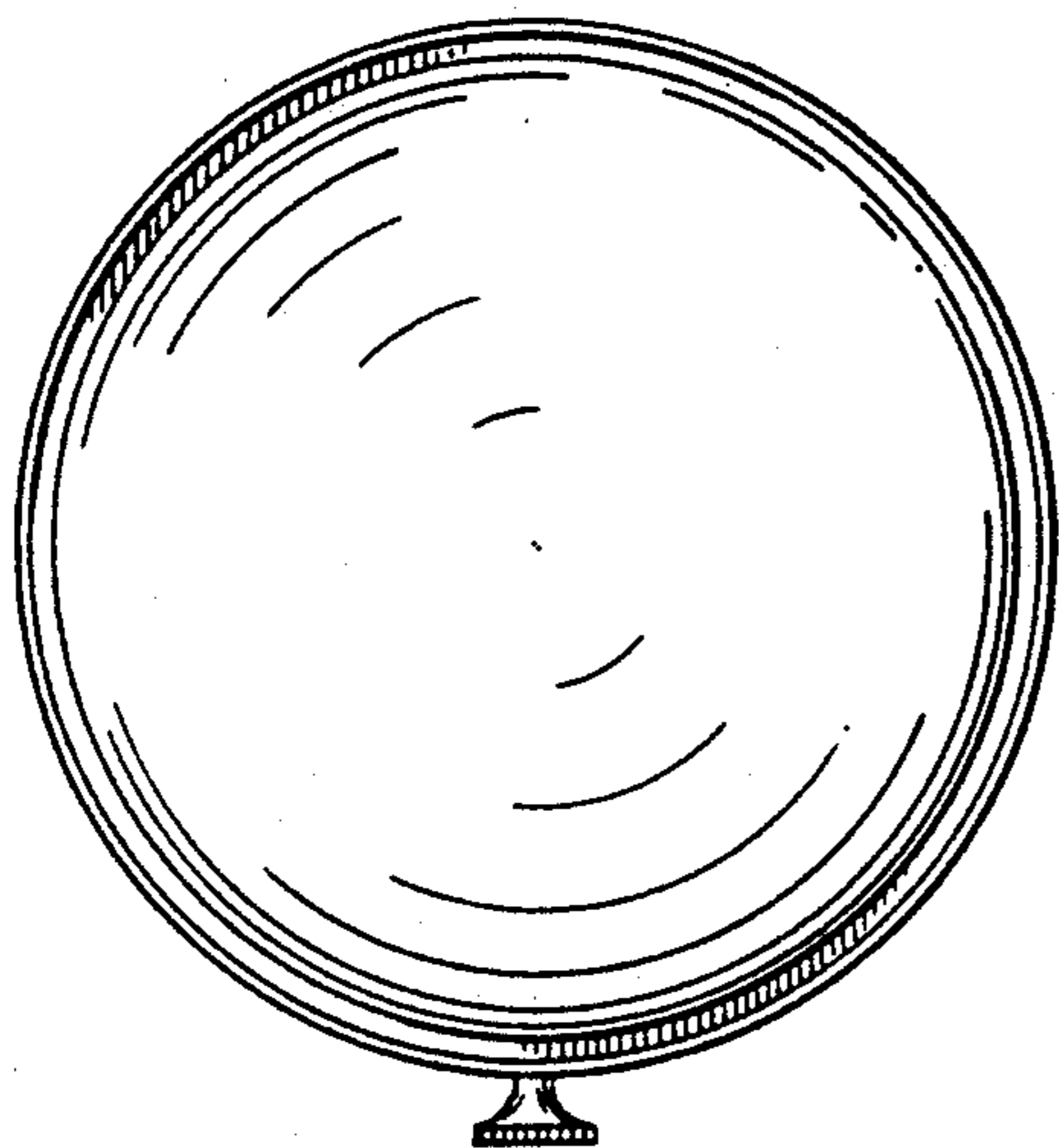


Fig.-7

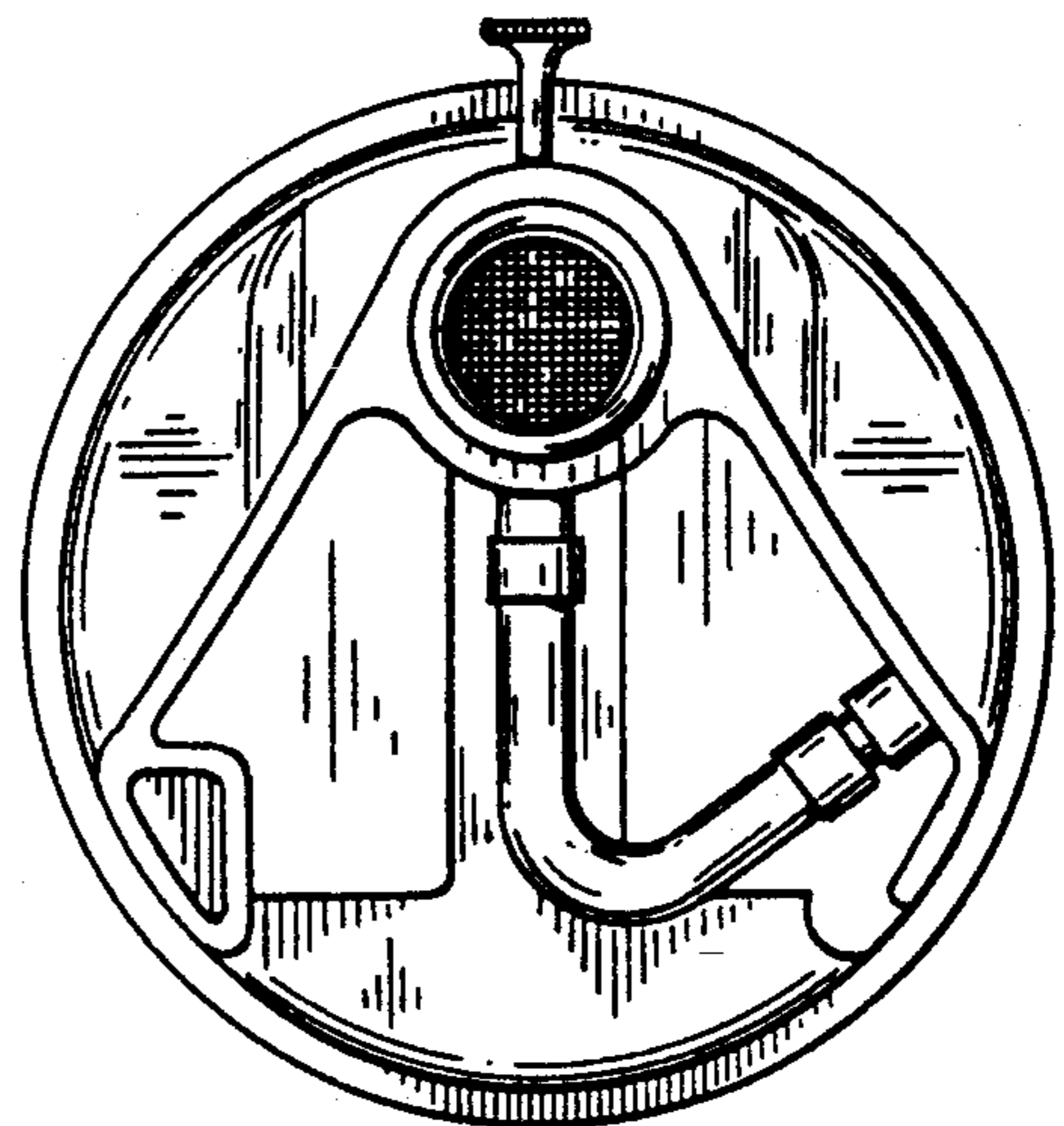


Fig. - 8

