



US00D338942S

# United States Patent [19]

[11] Patent Number: **Des. 338,942**

Giannetti

[45] Date of Patent: **\*\* Aug. 31, 1993**

[54] **BROADHEAD CONNECTOR FOR CARBON-SHAFT BOW ARROWS**

*Primary Examiner*—A. Hugo Word  
*Assistant Examiner*—Doris V. Coles  
*Attorney, Agent, or Firm*—Charles I. Brodsky

[76] Inventor: **Nickolas J. Giannetti, R.D. #1, Box 86, Pleasant Mountain, Pa. 18453**

[57] **CLAIM**

[\*\*] Term: **14 Years**

The ornamental design for a broadhead connector for carbon-shaft bow arrows, as shown and described.

[21] Appl. No.: **681,381**

**DESCRIPTION**

[22] Filed: **Apr. 8, 1991**

FIG. 1 is a right-rear perspective view of a broadhead connector for carbon-shaft bow arrows showing my new design, a left-rear perspective view being a mirror image;

[52] U.S. Cl. .... **D22/115**

[58] Field of Search ..... **D22/115, 199; 273/416, 273/418, 419, 421, 422**

FIG. 2 is a front elevational view;

FIG. 3 is a left side elevational view, the right side being a mirror image; and,

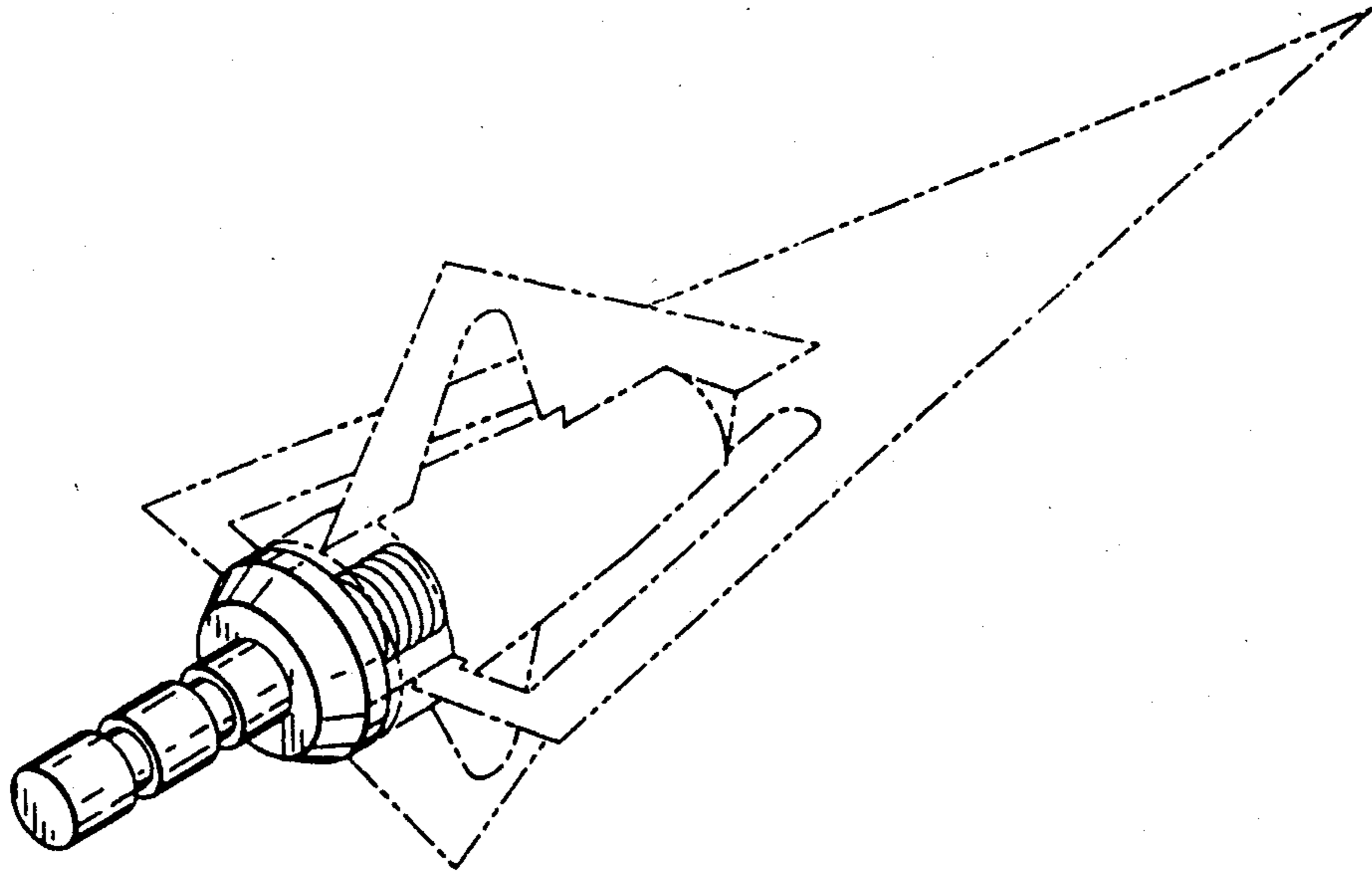
FIG. 4 is a rear elevational view thereof.

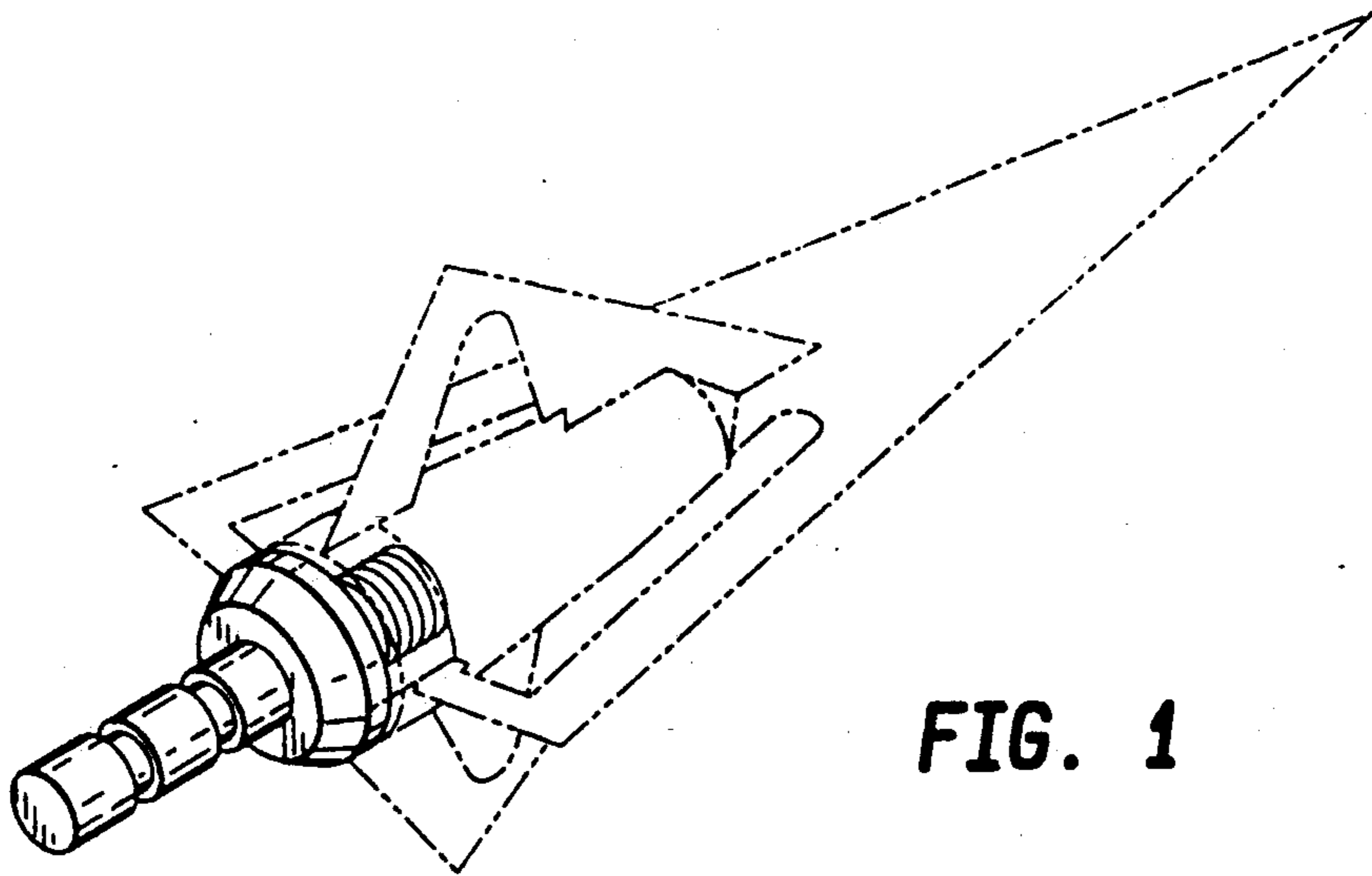
[56] **References Cited**

**U.S. PATENT DOCUMENTS**

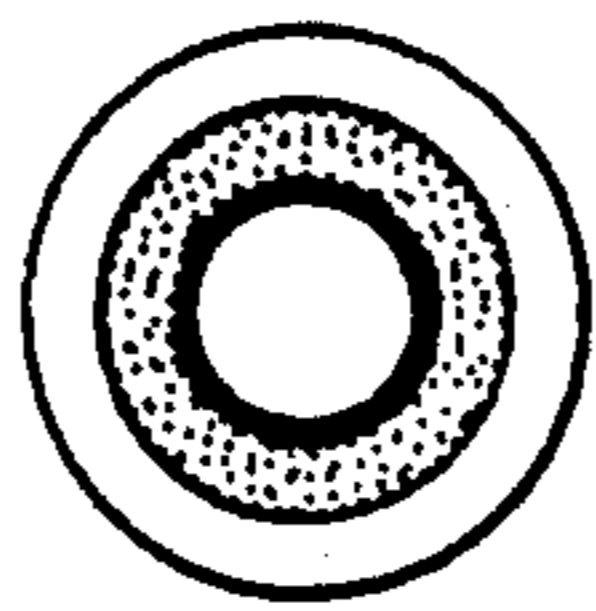
4,341,391	7/1982	Anderson .....	273/422
4,504,063	3/1985	LeBus .....	273/422
4,570,941	2/1986	Saunders .....	273/422

The broken line showing of an arrowhead in FIG. 1 is for illustrative purposes only and forms no part of the claimed design.

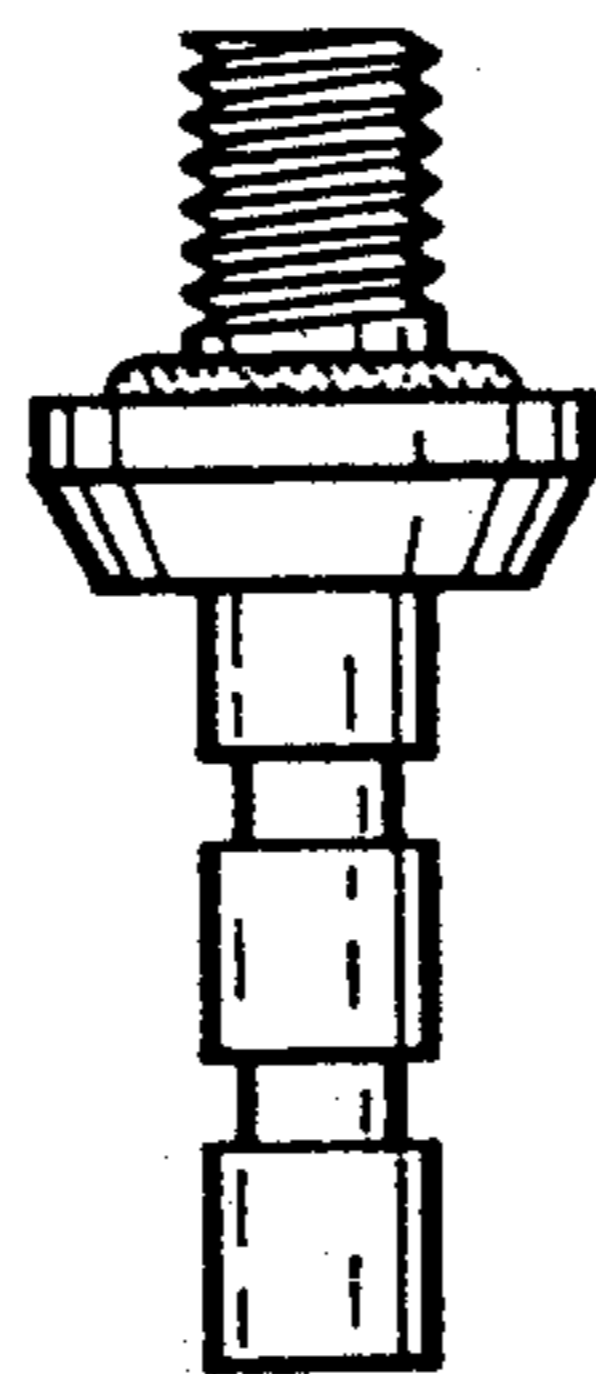




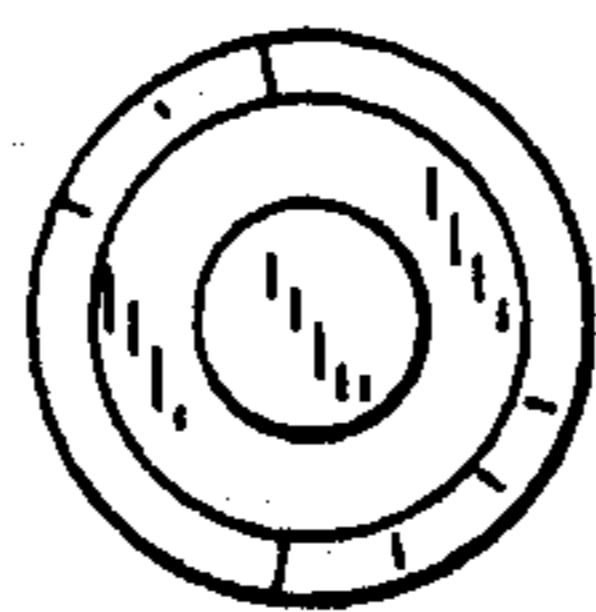
**FIG. 1**



**FIG. 2**



**FIG. 3**



**FIG. 4**