



US00D338934S

United States Patent [19]

[11] Patent Number: **Des. 338,934**

Vander Weide

[45] Date of Patent: **** Aug. 31, 1993**

[54] BALL GAME GOAL

4,786,053 11/1988 Barnes 273/1.5 R

[76] Inventor: **David B. Vander Weide**, 3043
Anastasia Ct., Apopka, Fla. 32703

Primary Examiner—Melvin B. Feifer
Attorney, Agent, or Firm—Warner, Norcross & Judd

[**] Term: **14 Years**

[57] **CLAIM**

[21] Appl. No.: **695,889**

The ornamental design for a ball game goal, as shown and described.

[22] Filed: **May 3, 1991**

[52] U.S. Cl. **D21/201**

[58] Field of Search **D21/201; 273/1.5**

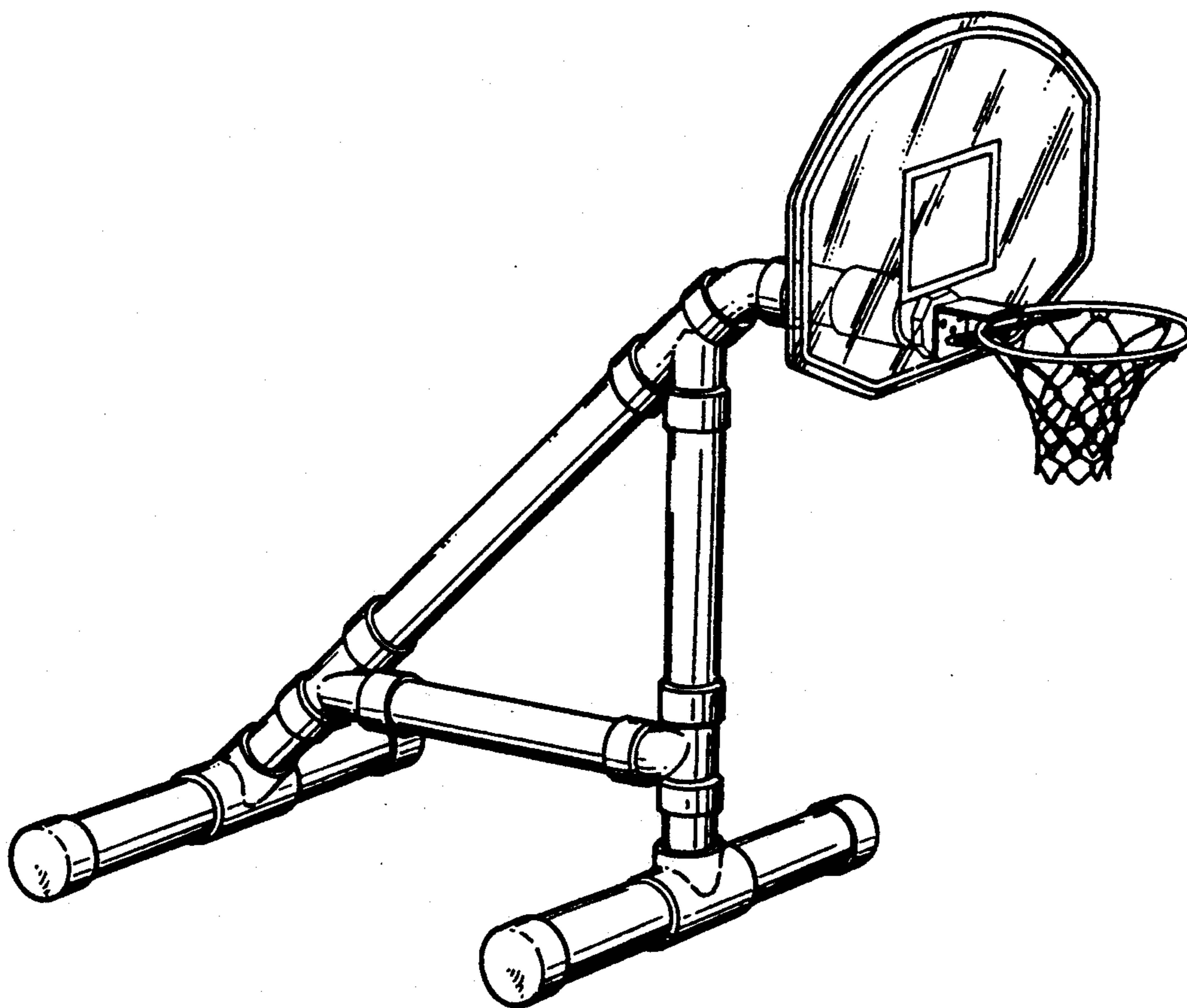
DESCRIPTION

[56] **References Cited**

U.S. PATENT DOCUMENTS

D. 193,097	6/1962	Pohrer	D21/201
2,818,254	12/1957	Dunn	273/1.5 R
3,743,286	7/1973	Weinhagen et al.	273/1.5 R
4,762,319	8/1988	Krumholz	273/1.5 R

FIG. 1 is a front and side perspective view of a ball game goal showing my new design;
FIG. 2 is a front elevational view thereof;
FIG. 3 is a side elevational view thereof, the other side being a mirror image;
FIG. 4 is a rear elevational view thereof;
FIG. 5 is a top plan view thereof; and,
FIG. 6 is a bottom plan view thereof.



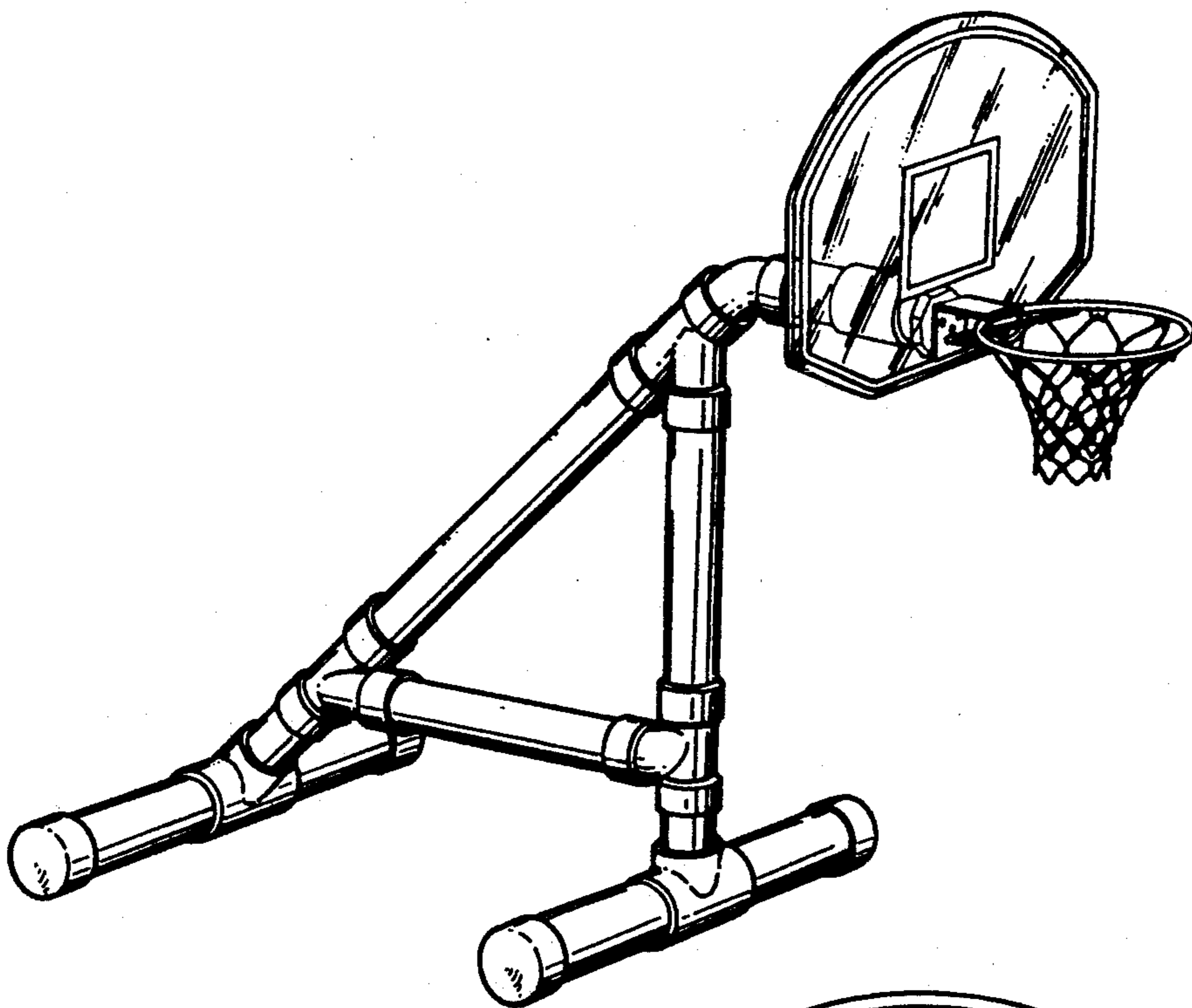


FIG. 1

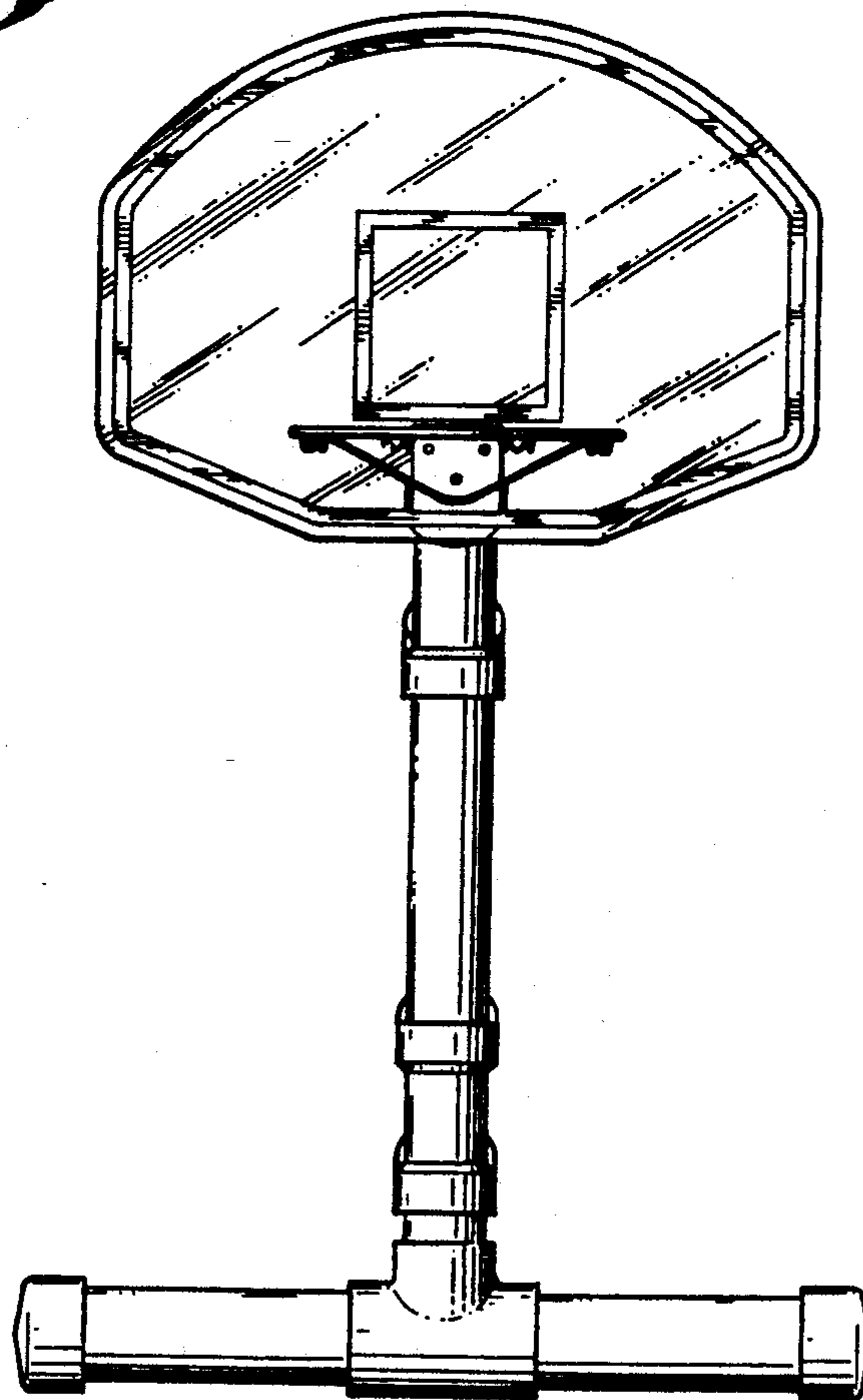


FIG. 2

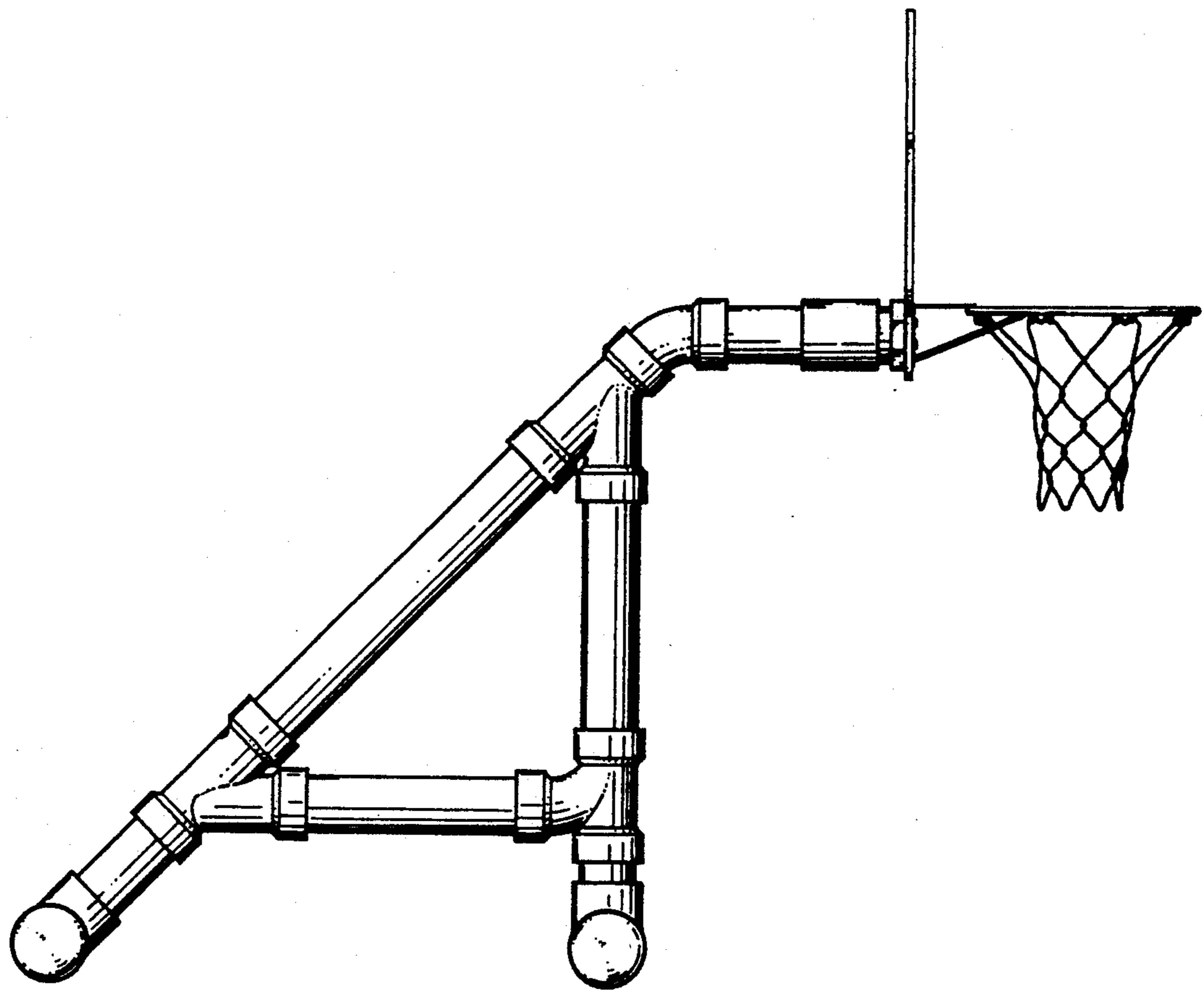


FIG. 3

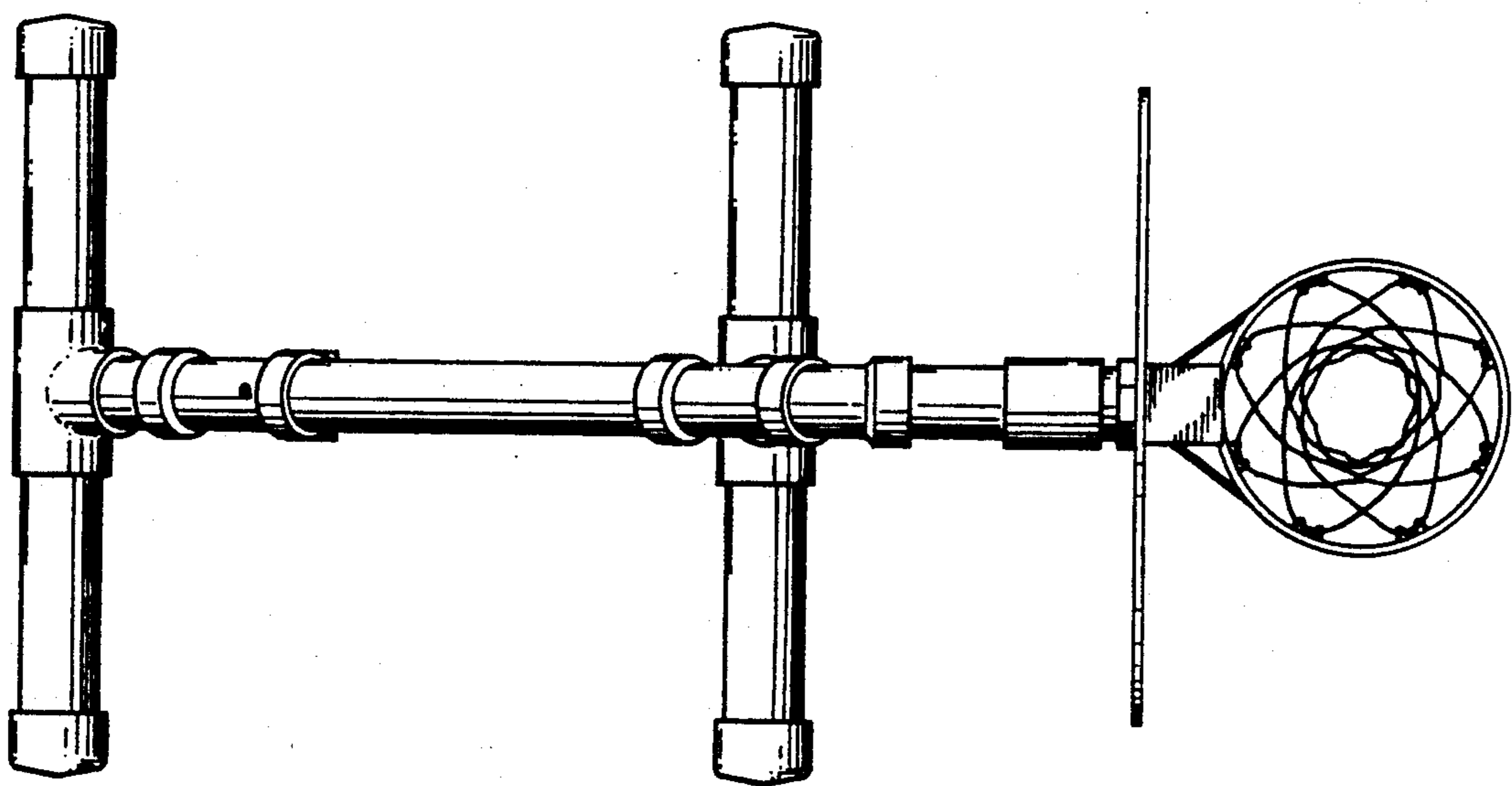


FIG. 5

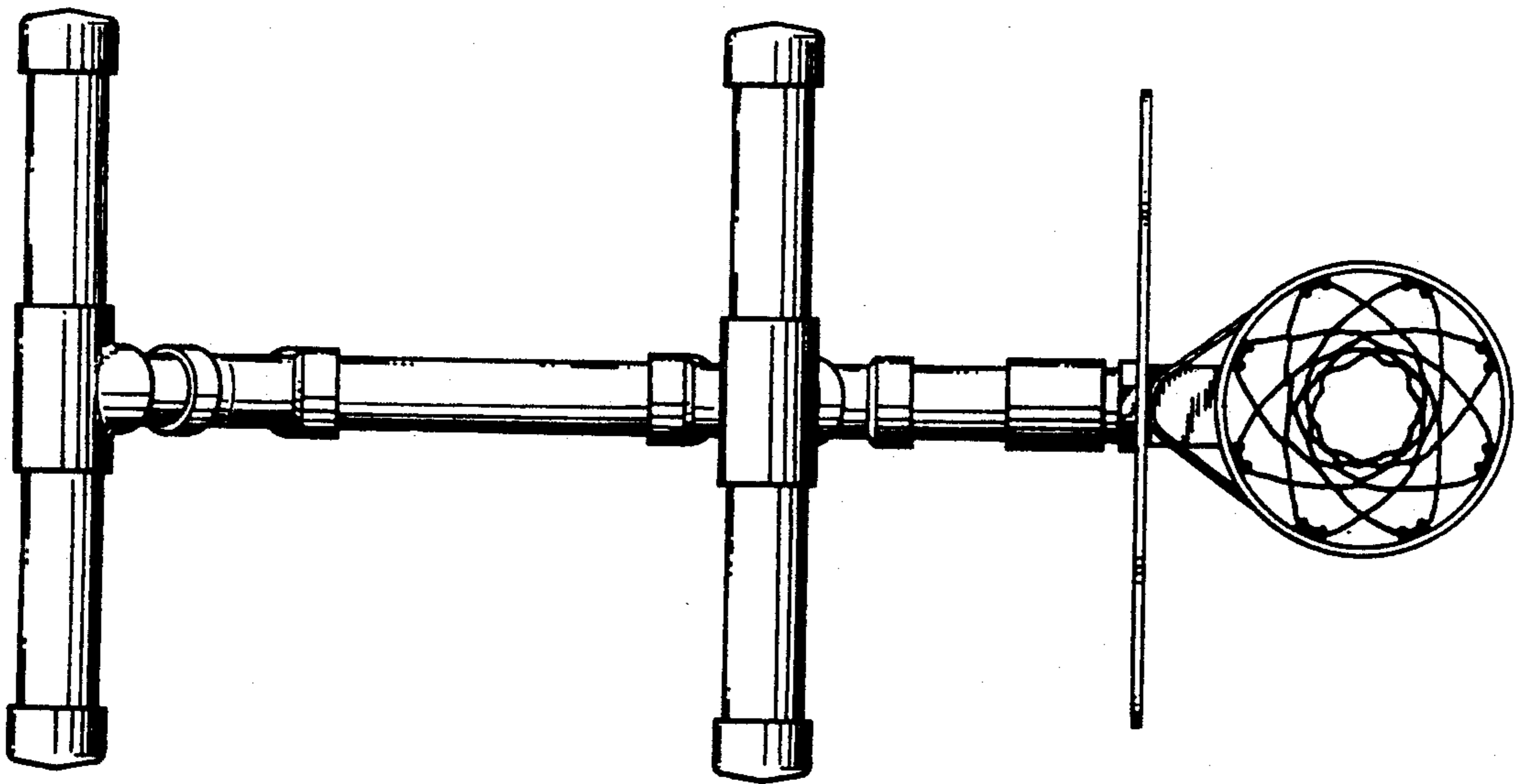


FIG. 6

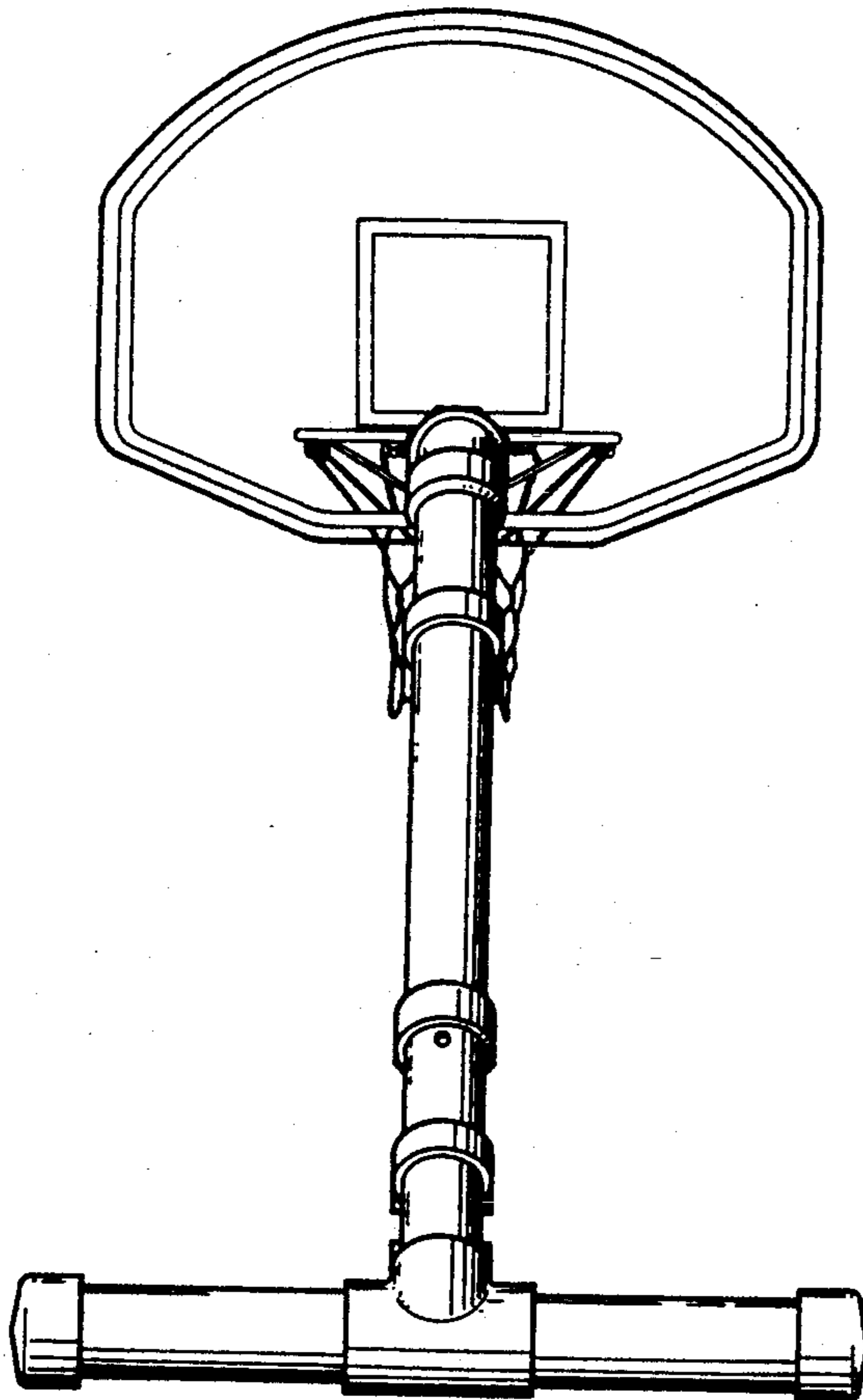


FIG. 4