



US00D338933S

United States Patent [19]

[11] Patent Number: **Des. 338,933**

Nelly

[45] Date of Patent: **** Aug. 31, 1993**

[54] **FOOT MASSAGER**

[76] Inventor: **Edward S. Nelly, 727 Honeyspot Rd., Ste. 215, Stratford, Conn. 06497**

[**] Term: **14 Years**

[21] Appl. No.: **755,345**

[22] Filed: **Sep. 5, 1991**

[52] U.S. Cl. **D21/191**

[58] Field of Search **D21/191, 193; 482/79, 482/80, 132; 128/58**

4,347,838 9/1982 McCauley 482/79
 4,679,549 7/1987 Quam et al. 482/80
 4,679,550 7/1987 Quam et al. 482/79

Primary Examiner—Bernard Ansher
Assistant Examiner—Philip Hyder
Attorney, Agent, or Firm—Melvin I. Stoltz

[57] CLAIM

The ornamental design for a foot massager, as shown and described.

DESCRIPTION

FIG. 1 is a perspective view of the foot massager showing my new design;
 FIG. 2 is a top plan view thereof;
 FIG. 3 is a right side elevational view thereof; the opposite side being a mirror image thereof;
 FIG. 4 is a front elevational view thereof;
 FIG. 5 is a rear elevational view thereof; and,
 FIG. 6 is a bottom plan view thereof.

- [56] **References Cited**
- U.S. PATENT DOCUMENTS**
- | | | | |
|------------|--------|---------------|---------|
| D. 243,557 | 3/1977 | Kientz | D21/191 |
| D. 253,967 | 1/1980 | Miyadai | D21/191 |
| D. 254,507 | 3/1980 | Redding | D21/191 |
| 3,662,749 | 5/1972 | Simjian | 128/58 |
| 4,011,862 | 3/1977 | Kosiak | 128/58 |

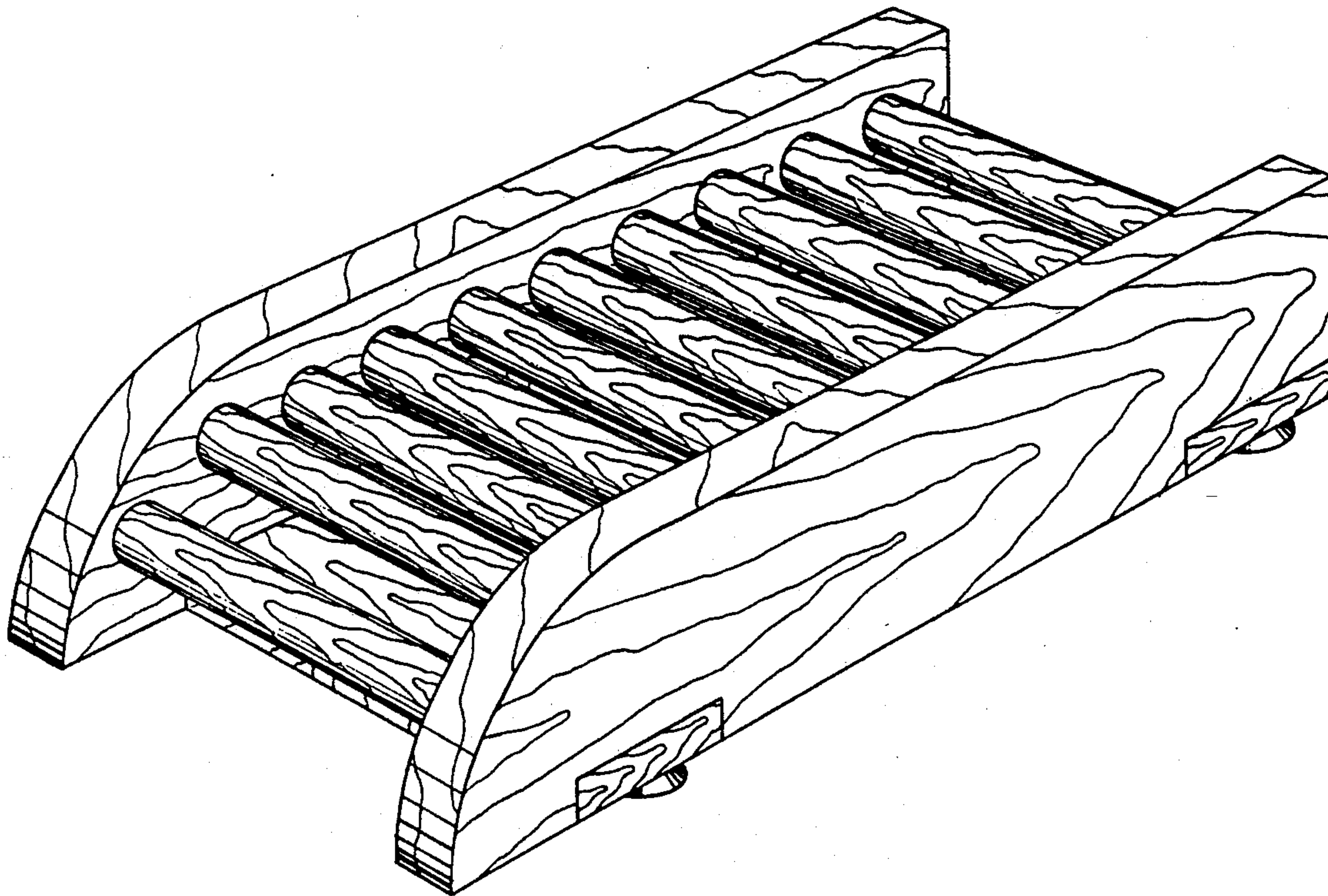


FIG. 1

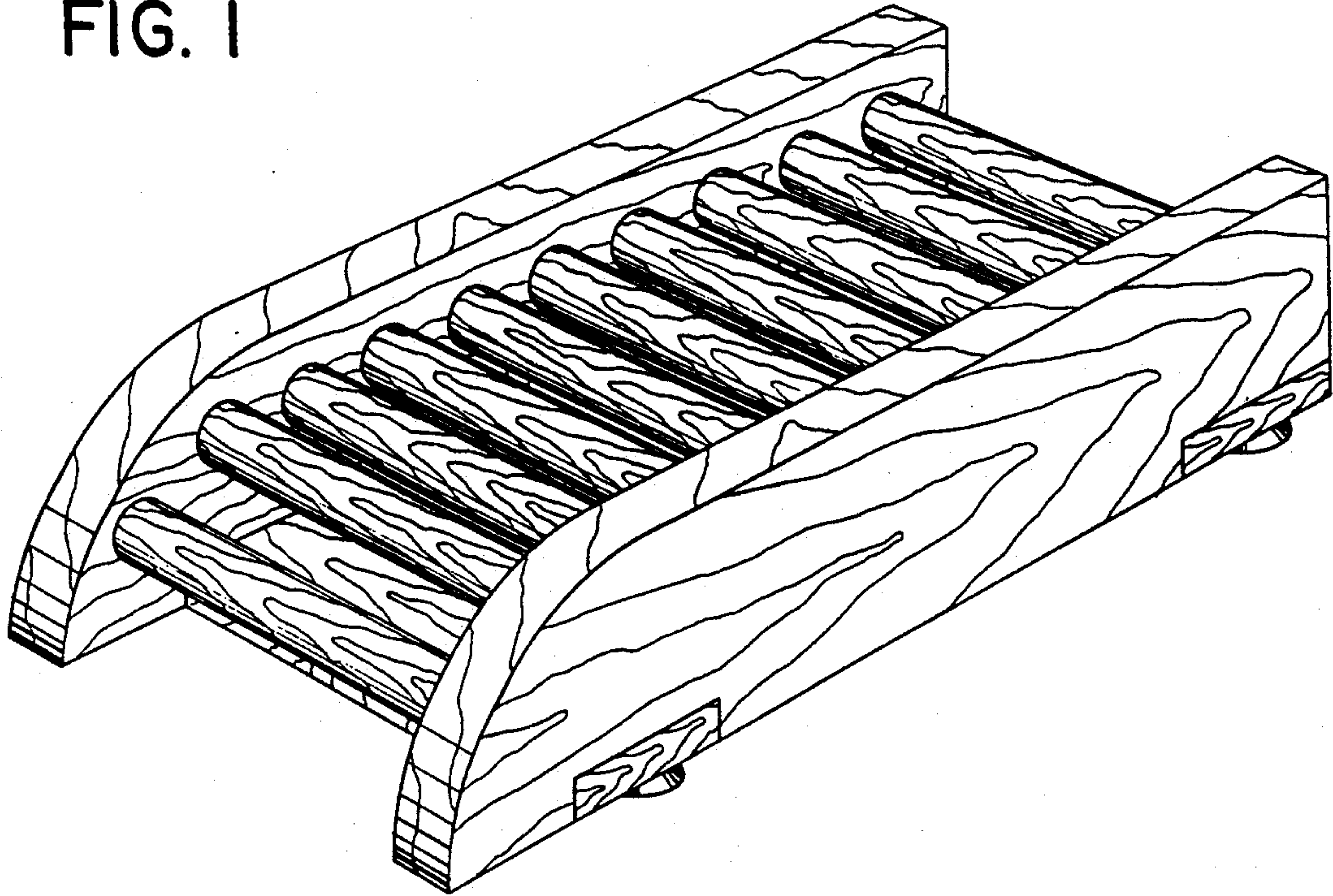


FIG. 2

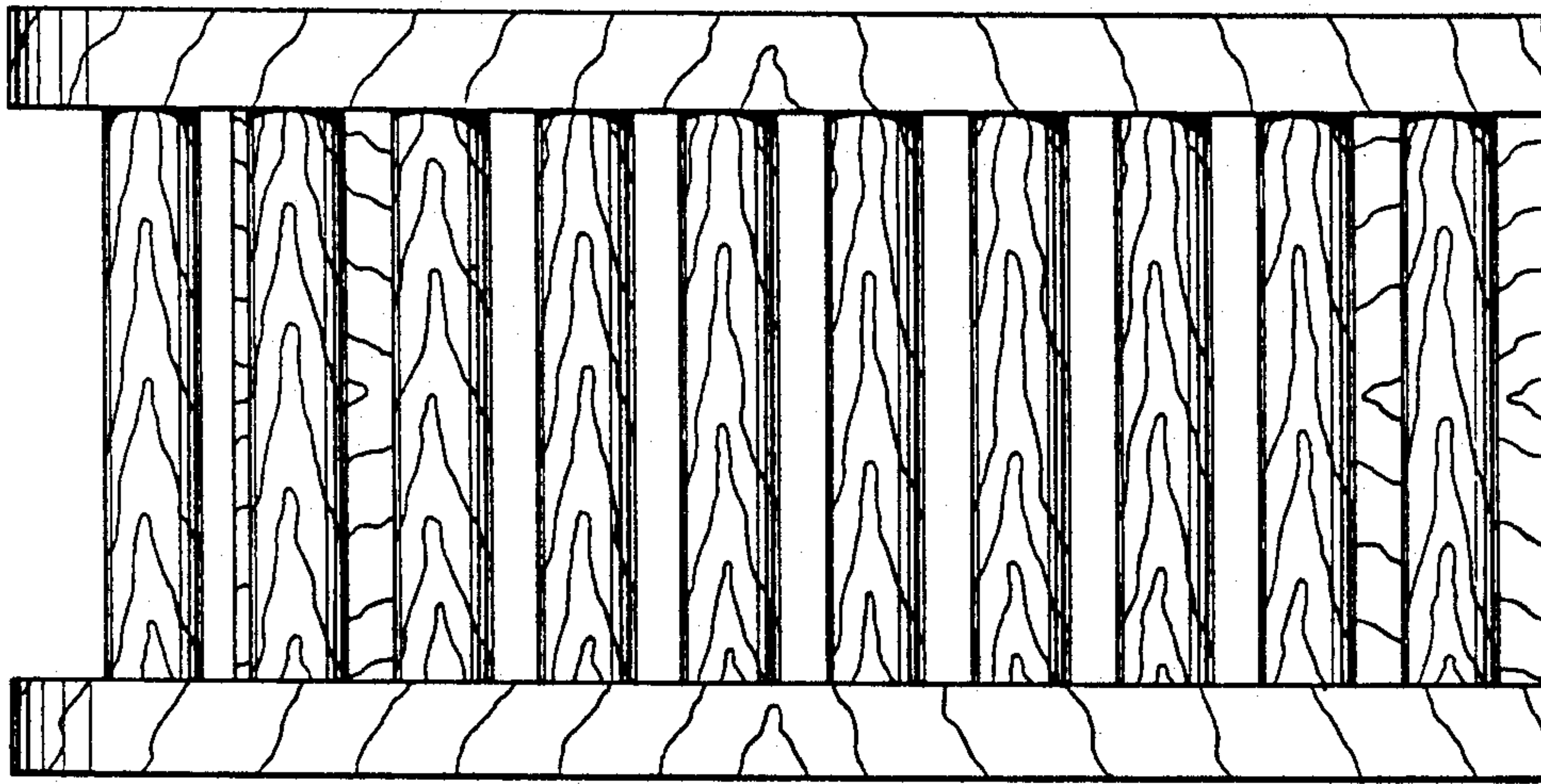


FIG. 3

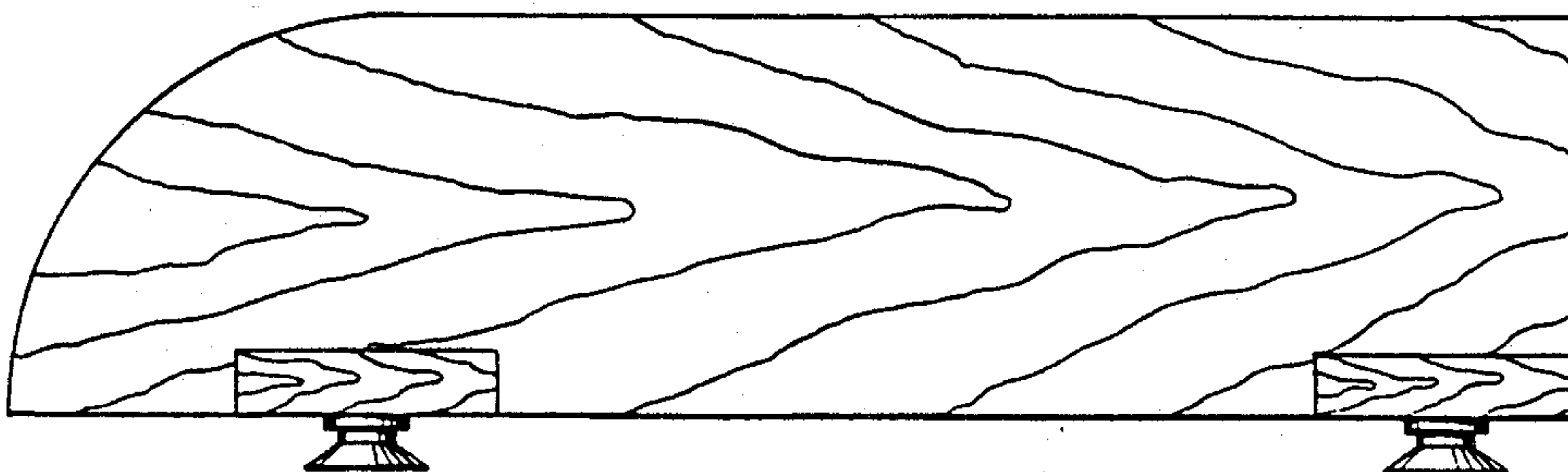


FIG. 4

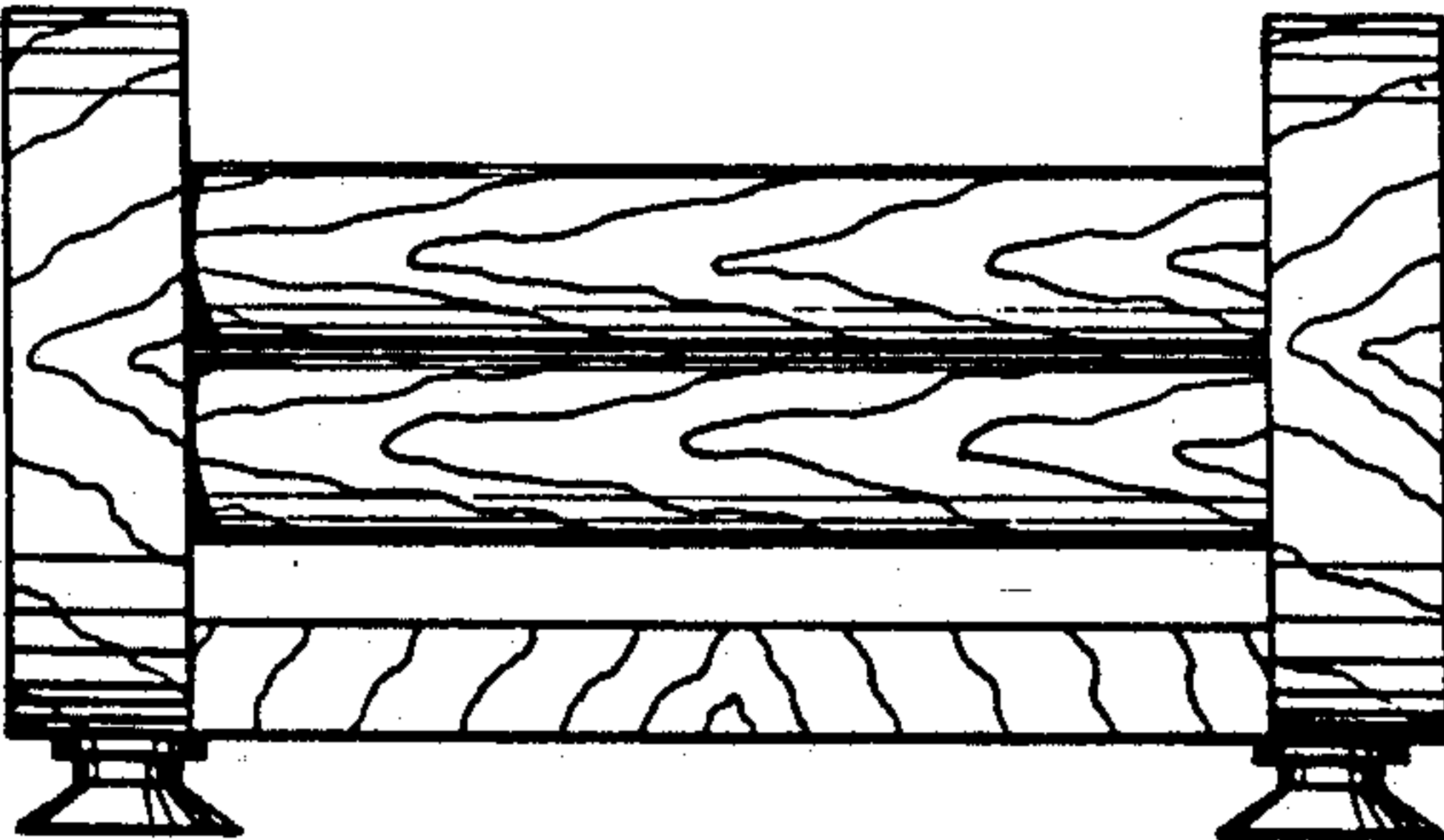


FIG. 5

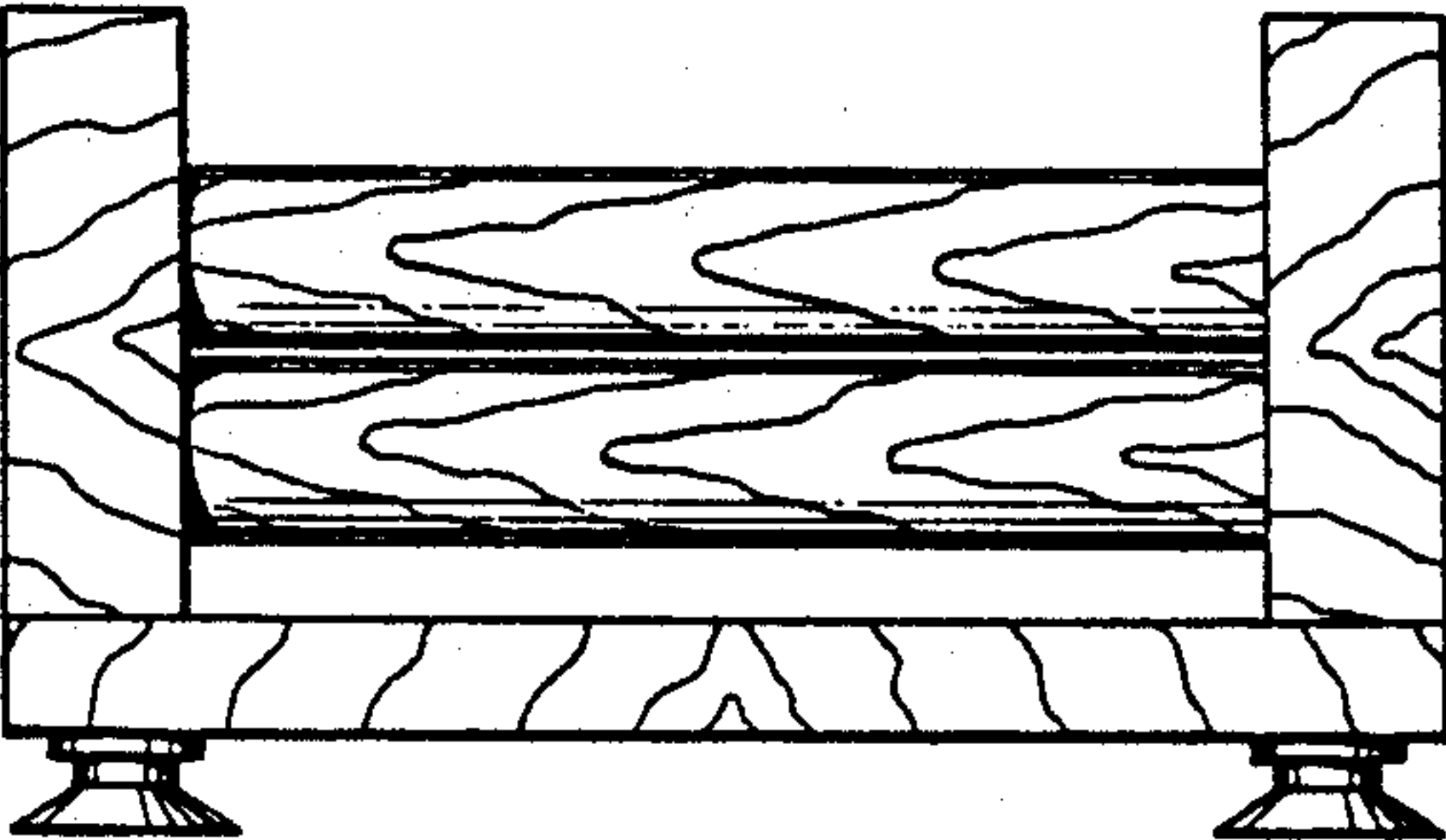


FIG. 6

