



US00D338931S

United States Patent [19]

[11] Patent Number: **Des. 338,931**

Glonek et al.

[45] Date of Patent: **** Aug. 31, 1993**

[54] **TRUNK FOR DOLL CLOTHES**

[76] Inventors: **Catherine Glonek; Catherine Gerlt,**
both of 2102 NE. 64, Kansas City,
Mo. 64118

[**] Term: **14 Years**

[21] Appl. No.: **781,297**

[22] Filed: **Oct. 23, 1991**

[52] U.S. Cl. **D21/121; D3/70**

[58] Field of Search **D21/121; D3/76, 78,**
D3/74, 70; 190/40, 18 A, 26, 104, 110-119;
446/482; D6/446; D9/423; 312/114

[56] **References Cited**

U.S. PATENT DOCUMENTS

D. 88,346	11/1932	Fleisig	D21/121
D. 173,199	10/1954	Goodhue	D3/70
D. 183,474	9/1958	Wintersteen	D3/74
D. 203,315	12/1965	Bullock	D3/70 X
D. 213,240	1/1969	Litner	D3/39
D. 261,825	11/1981	Benson	D3/74
D. 263,896	4/1982	Glasgow	D3/30.1
D. 274,739	7/1984	Nagode	D21/121

611,063	9/1898	Davis	190/16
1,440,944	1/1923	Tarr	446/482
4,054,191	10/1977	Schoenfield	190/109
4,478,340	4/1988	Gespi	190/18 A

FOREIGN PATENT DOCUMENTS

891812	3/1962	United Kingdom	312/224
--------	--------	----------------	-------	---------

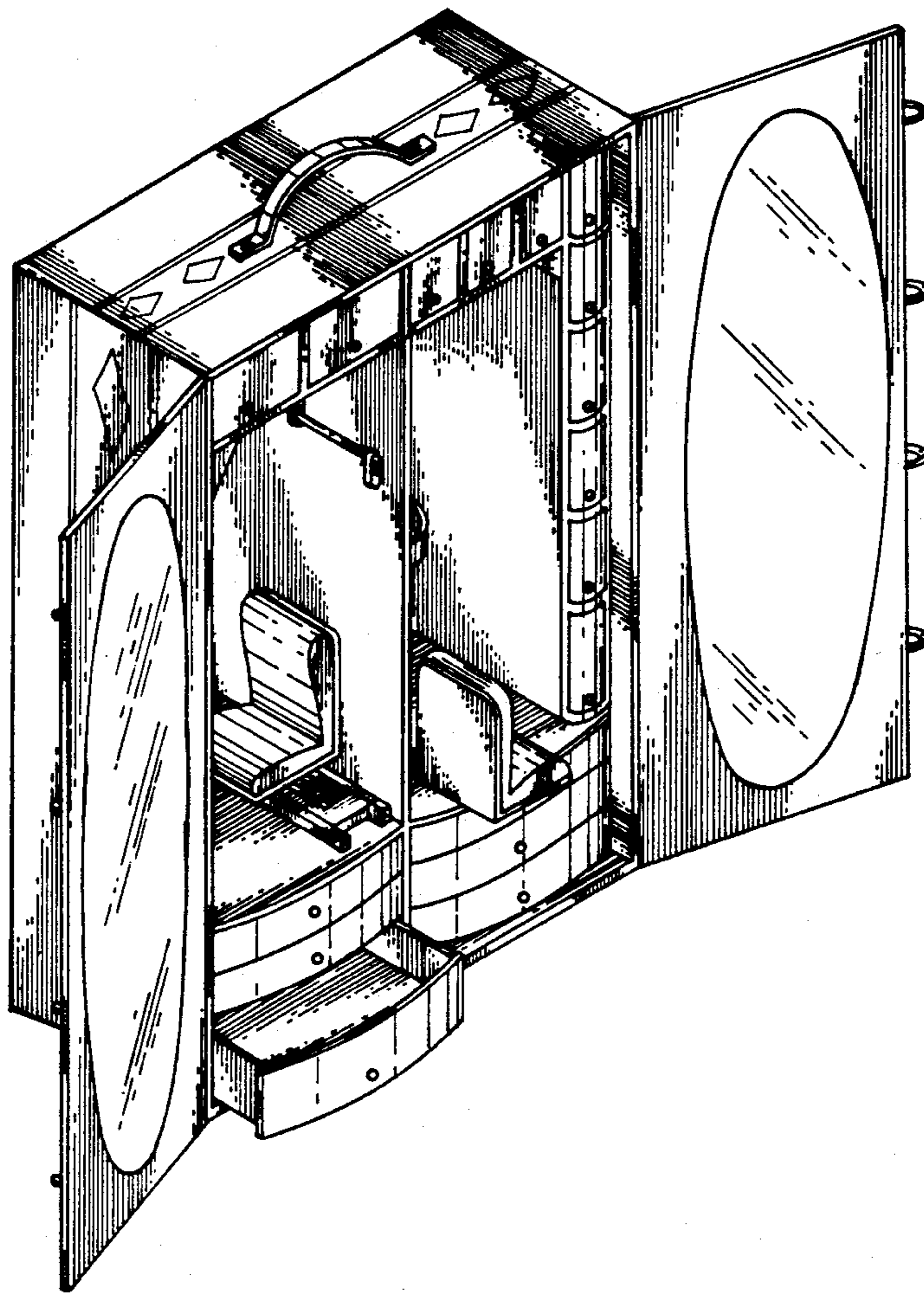
Primary Examiner—Bernard Ansher
Assistant Examiner—Paula A. Mortimer
Attorney, Agent, or Firm—Terry M. Gernstein

[57] **CLAIM**

The ornamental design for a trunk for doll clothes, as shown and described.

DESCRIPTION

FIG. 1 is a front perspective view of a trunk for doll clothes showing my new design;
FIG. 2 is a front elevational view thereof;
FIG. 3 is a rear elevational view thereof;
FIG. 4 is an end elevational view with the door member in an alternative position from that shown in FIG. 1;
FIG. 5 is a top plan view with the door member in an alternative position from that shown in FIG. 1; and,
FIG. 6 is a bottom plan view.



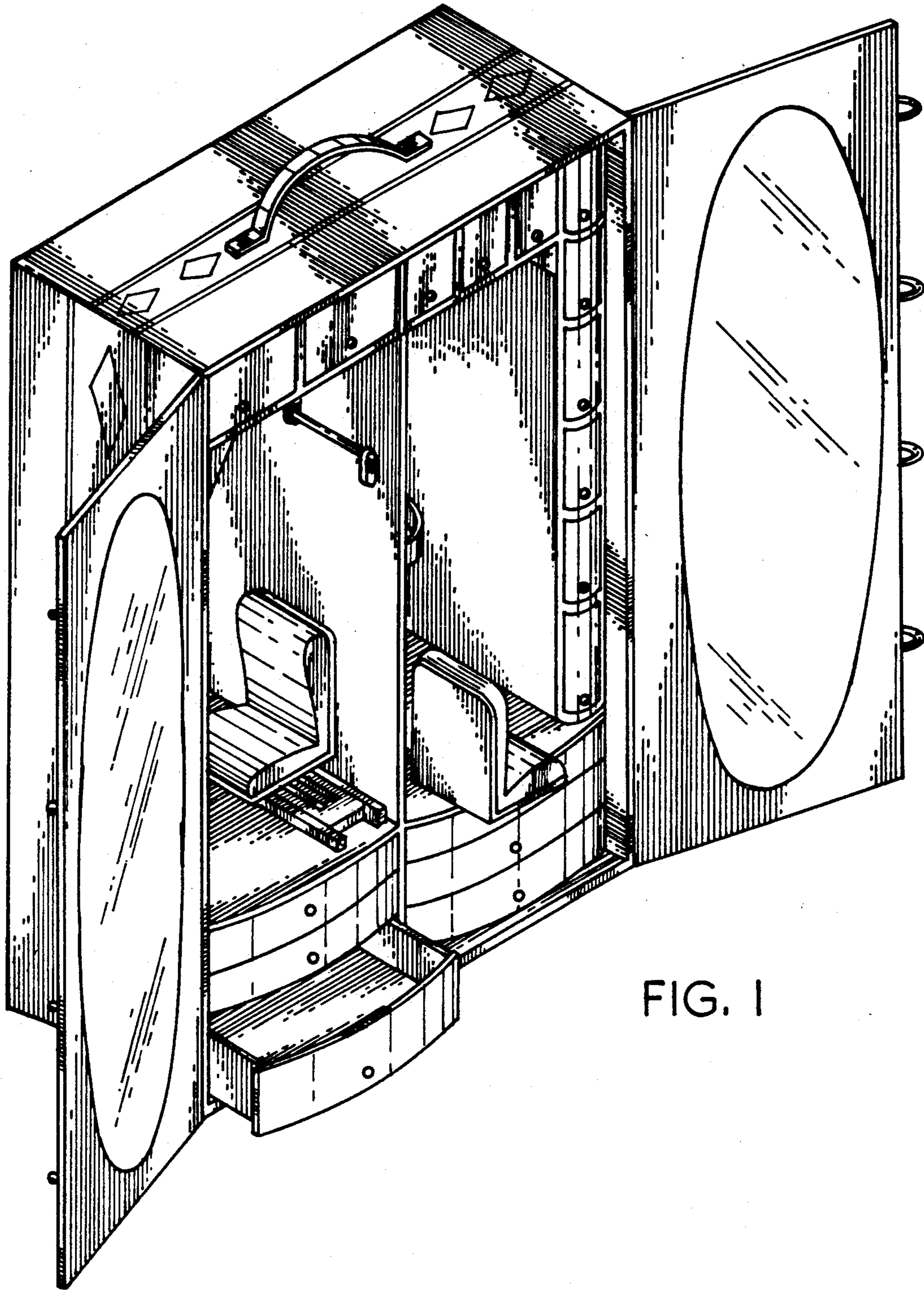


FIG. 1

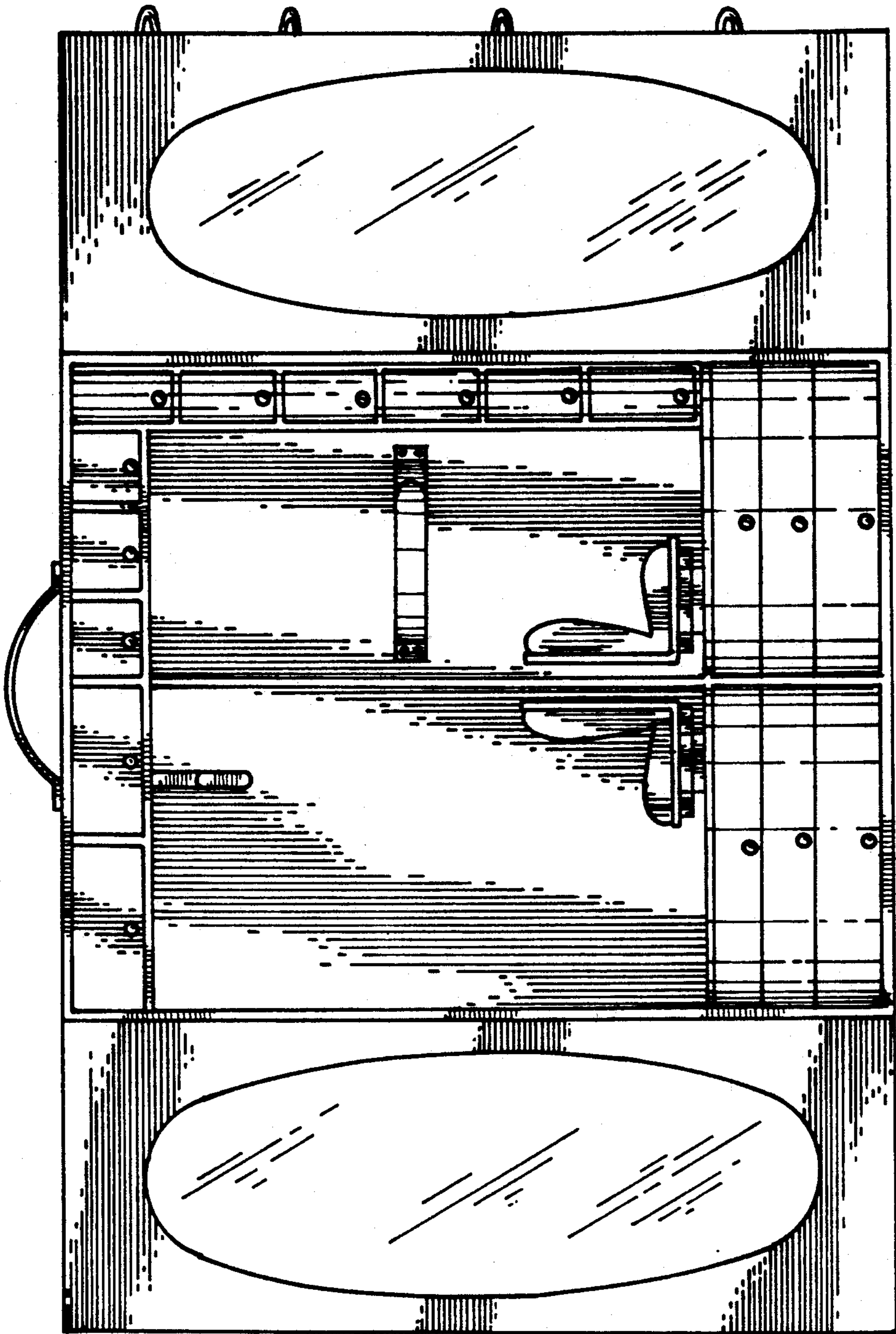


FIG. 2

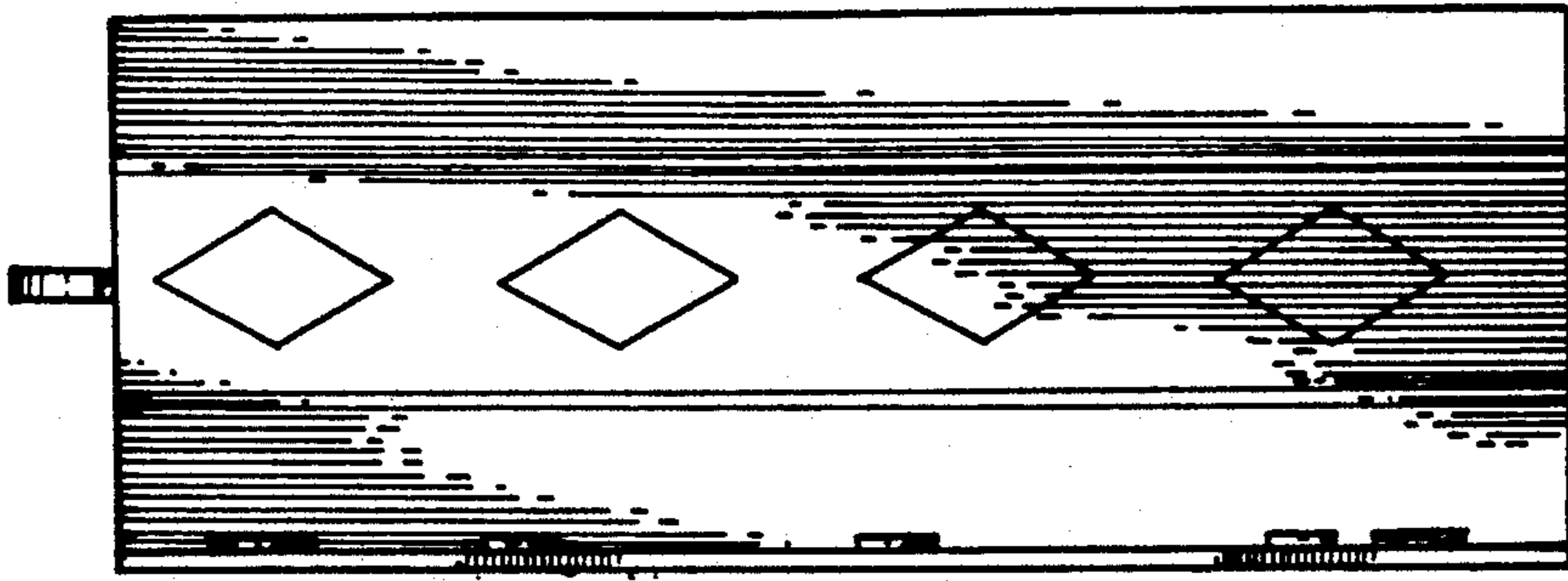


FIG. 4

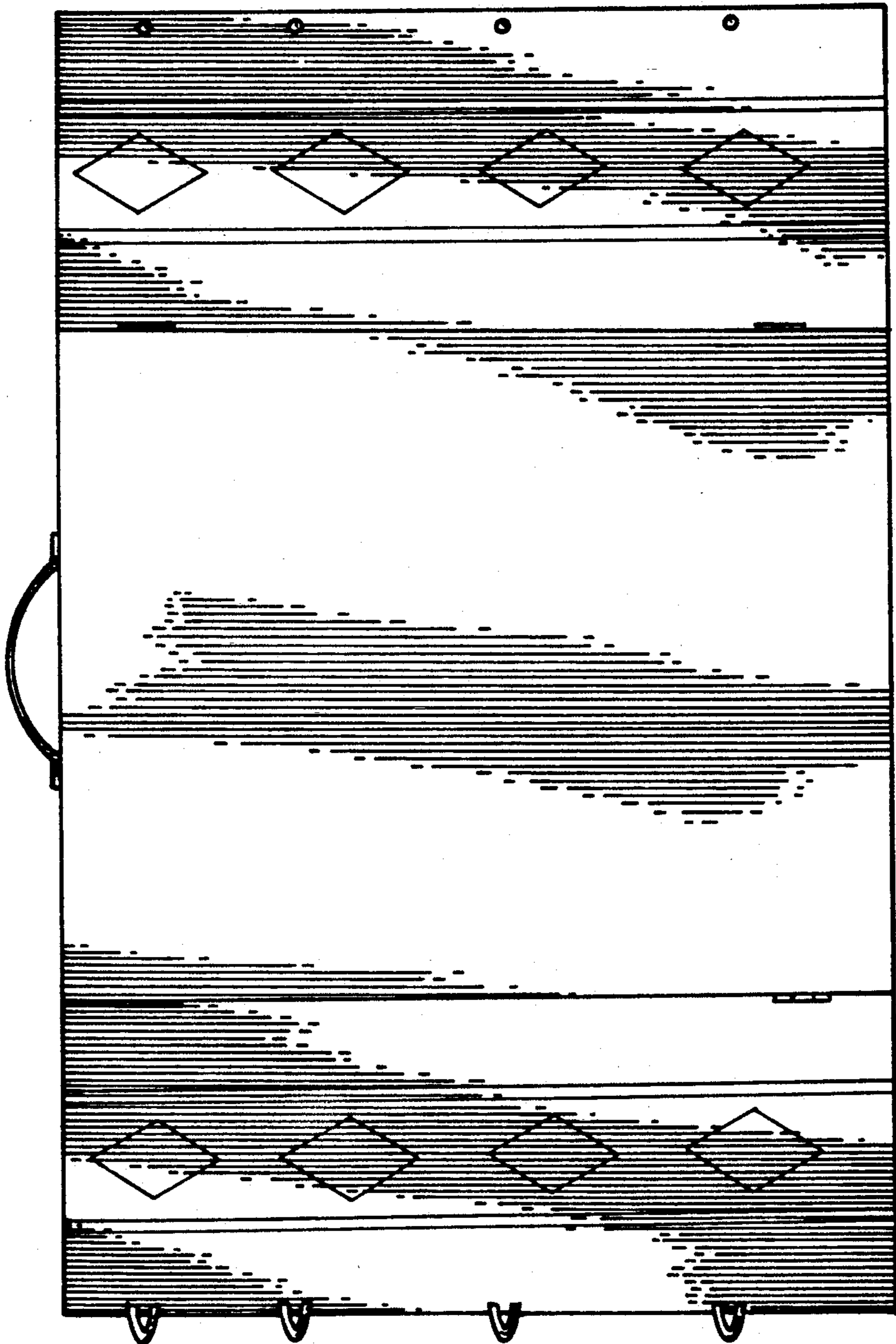


FIG. 3

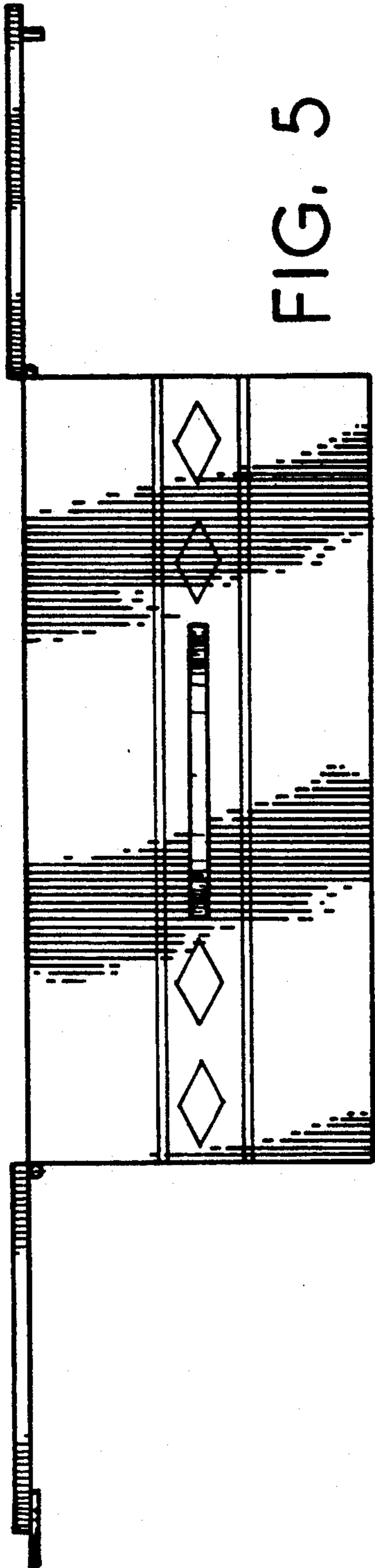


FIG. 5

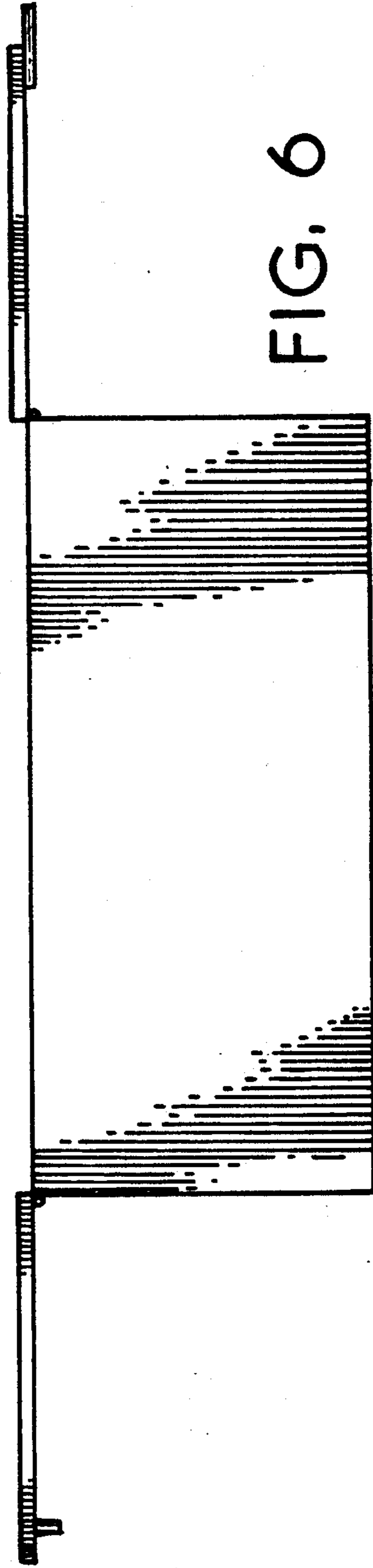


FIG. 6