



US00D338927S

# United States Patent [19]

[11] Patent Number: **Des. 338,927**

Burke et al.

[45] Date of Patent: **\*\* Aug. 31, 1993**

[54] **KITE CONTROLLER**

[56] **References Cited**

[75] Inventors: **Randy L. Burke**, 6000 Foxhound Rd., Raleigh, N.C. 27604; **William C. Humphrey**, Raleigh, N.C.

### U.S. PATENT DOCUMENTS

D. 251,356	3/1979	Bogaert .....	D21/88 X
4,111,387	9/1978	Leary .....	244/155 A
4,796,827	1/1989	Munt, III et al. ....	244/155 A X
4,884,765	12/1989	Reneclé .....	244/155 A X
5,064,150	11/1991	Priority .....	244/155 A

[73] Assignee: **Randy L. Burke**, Wake Forest, N.C.

*Primary Examiner*—Bernard Ansher  
*Assistant Examiner*—Dominic Simone

[\*\*] Term: **14 Years**

### [57] CLAIM

The ornamental design for a kite controller, as shown and described.

[21] Appl. No.: **733,246**

### DESCRIPTION

[22] Filed: **Jul. 22, 1991**

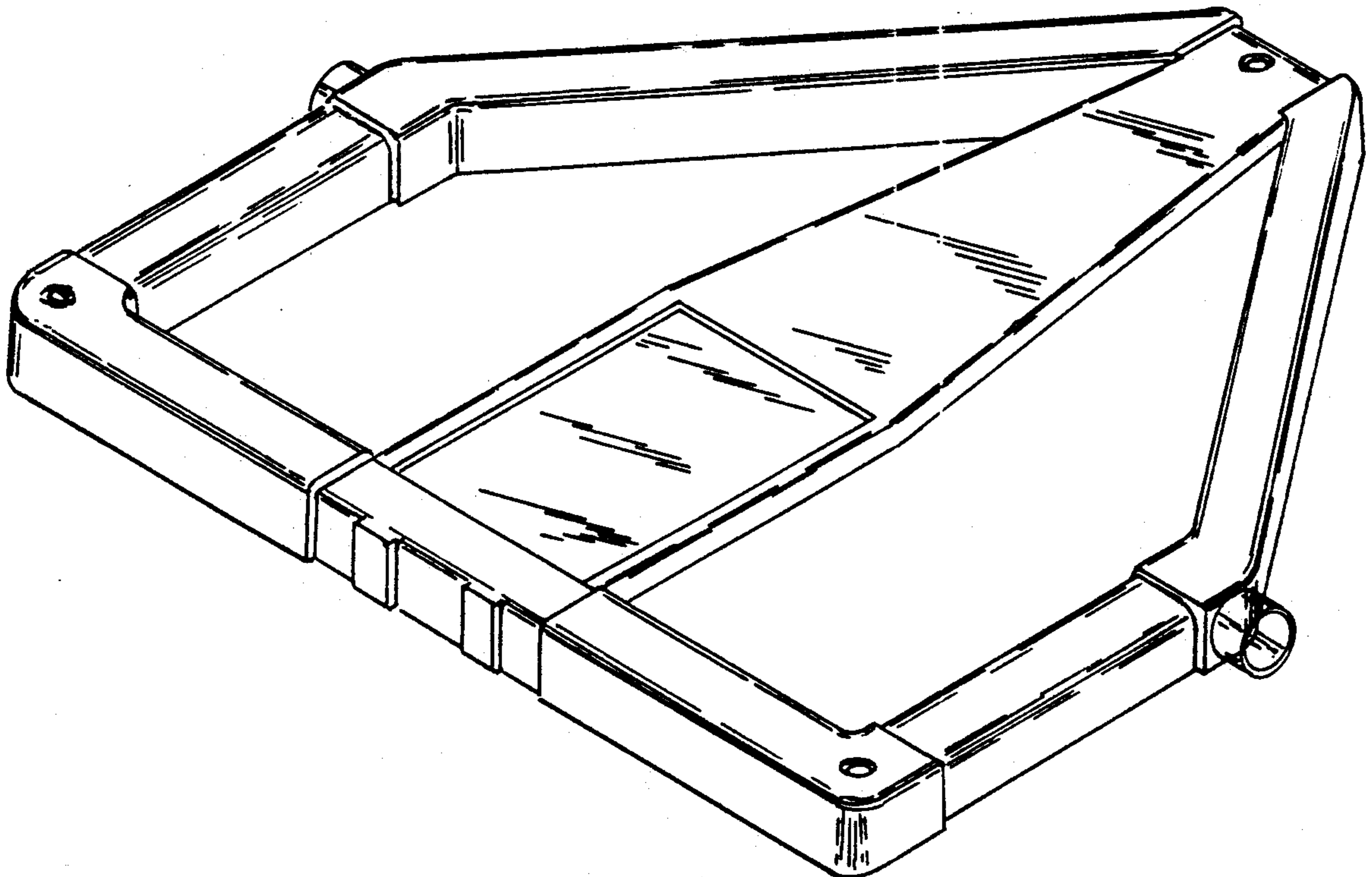
FIG. 1 is a perspective view of a kite controller showing our new design;

[52] U.S. Cl. .... **D21/88**

FIG. 2 is a top plan view thereof;

[58] Field of Search ..... **D21/88; D8/358, 359; 242/77, 96; 244/155 A**

FIG. 3 is a right side elevational view thereof; and,  
FIG. 4 is a front elevational view thereof.



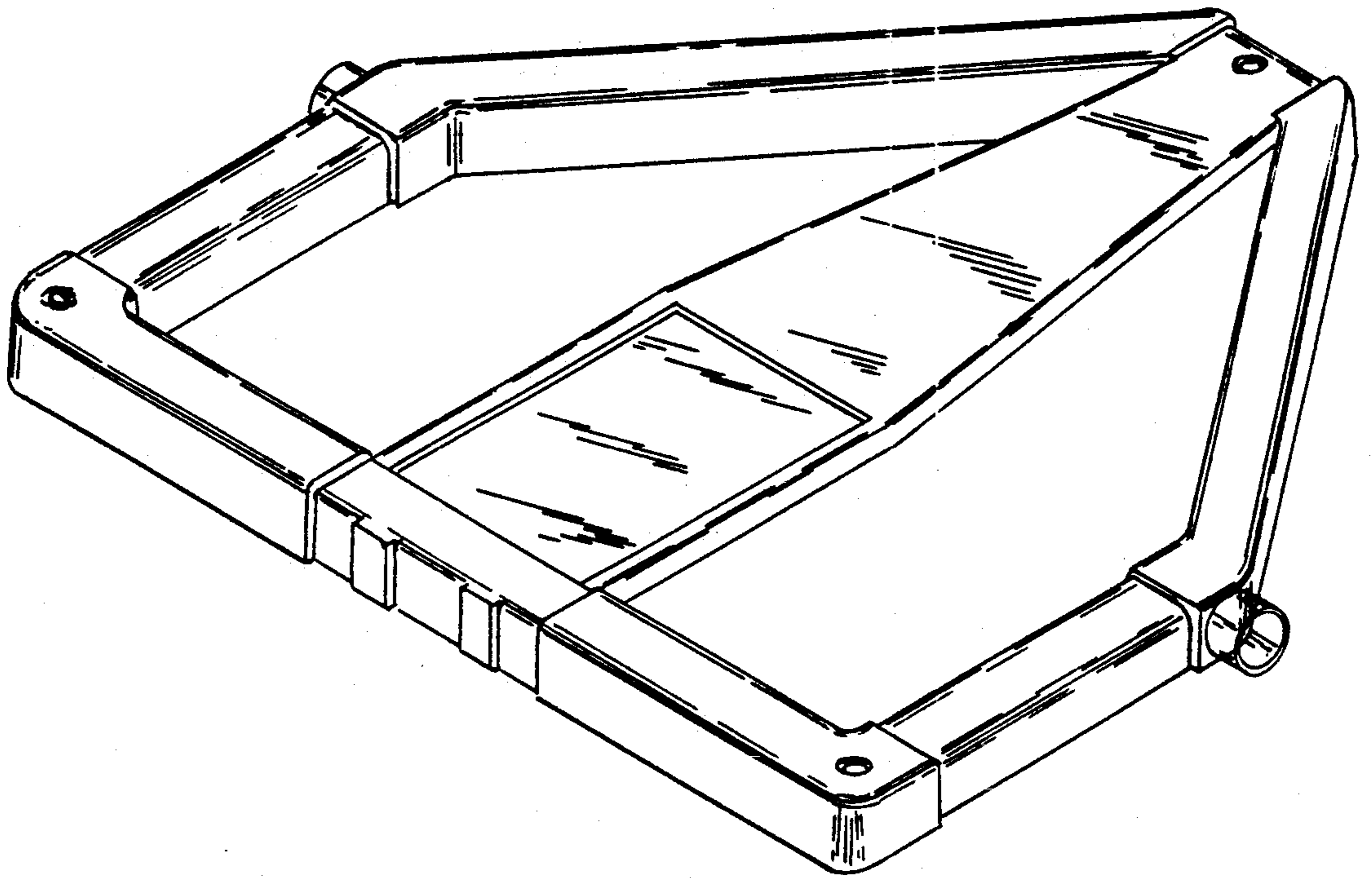


Fig 1

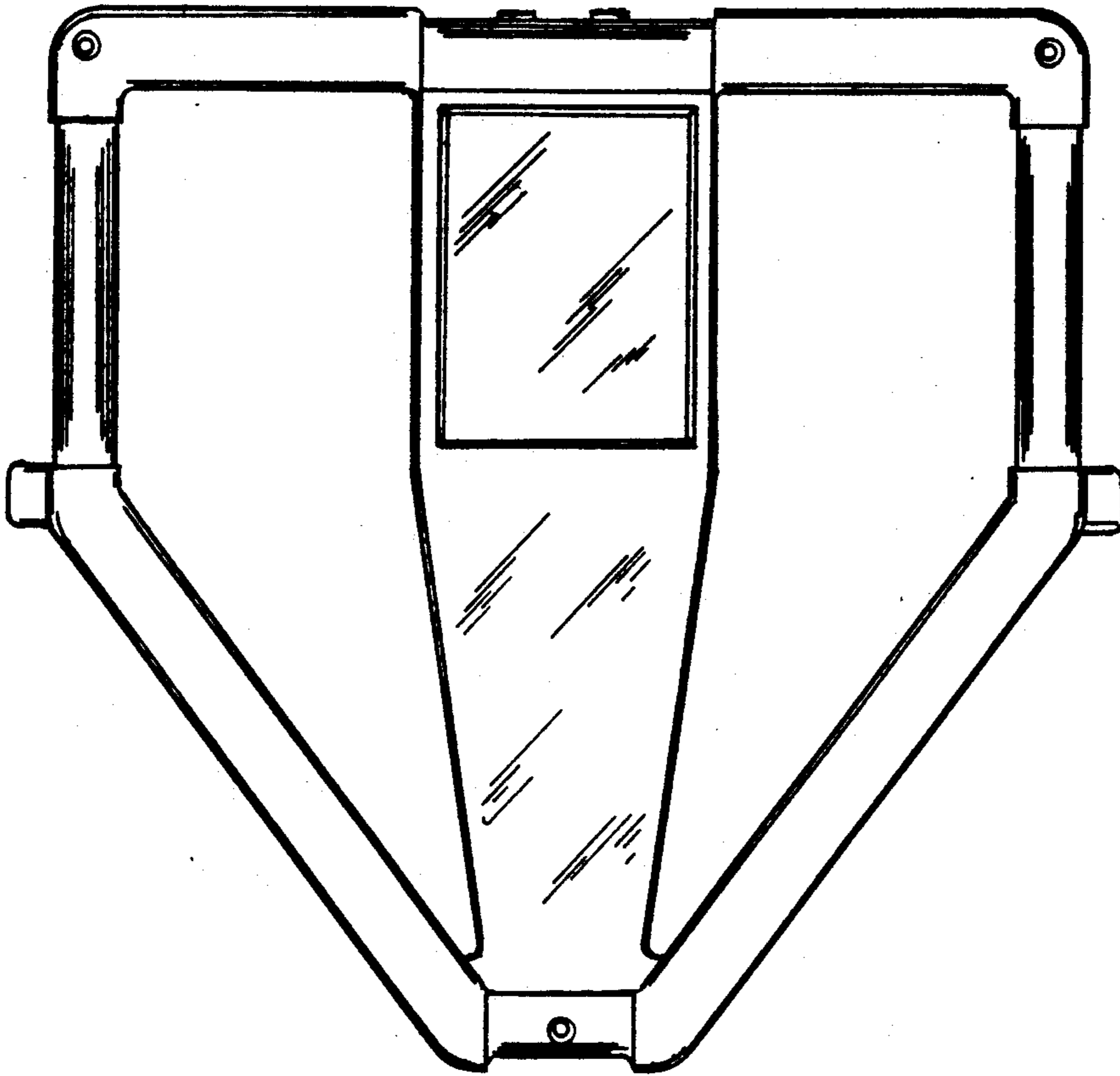


Fig 2



Fig 3



Fig 4