



US00D338922S

# United States Patent [19]

[11] Patent Number: **Des. 338,922**

Schreib

[45] Date of Patent: **\*\* Aug. 31, 1993**

## [54] SURFACE MOUNTABLE BINGO CARD HOLDER

[76] Inventor: **Randall C. Schreib**, 3921 S. 322nd St., Auburn, Wash. 98001

[\*\*] Term: **14 Years**

[21] Appl. No.: **803,391**

[22] Filed: **Dec. 4, 1991**

[52] U.S. Cl. .... **D21/54**

[58] Field of Search ..... **D21/54-58;**  
273/148 A, 150, 309, 287; **D25/119, 121, 125,**  
126, 123; **52/242**

### [56] References Cited

#### U.S. PATENT DOCUMENTS

D. 242,626	12/1976	Scrivener	.....	D25/123
D. 255,903	7/1980	Cable	.....	D25/125 X
2,631,042	3/1953	Bertram	.....	273/148 A
3,276,175	10/1966	Birum, Jr.	.....	52/242
3,386,216	6/1968	Zwickert	.....	52/242
4,453,714	6/1984	Houser	.....	273/148 A
5,094,455	3/1992	Persuy	.....	273/148 A

### OTHER PUBLICATIONS

Detroit Macoid Cat. 1946 ©, p. 15, Item #84.  
Trimedge Cat. Nov. 1978, p. 51, Item #A-1706.  
B and T Metals, 1955, p. 50, Item #789-1.

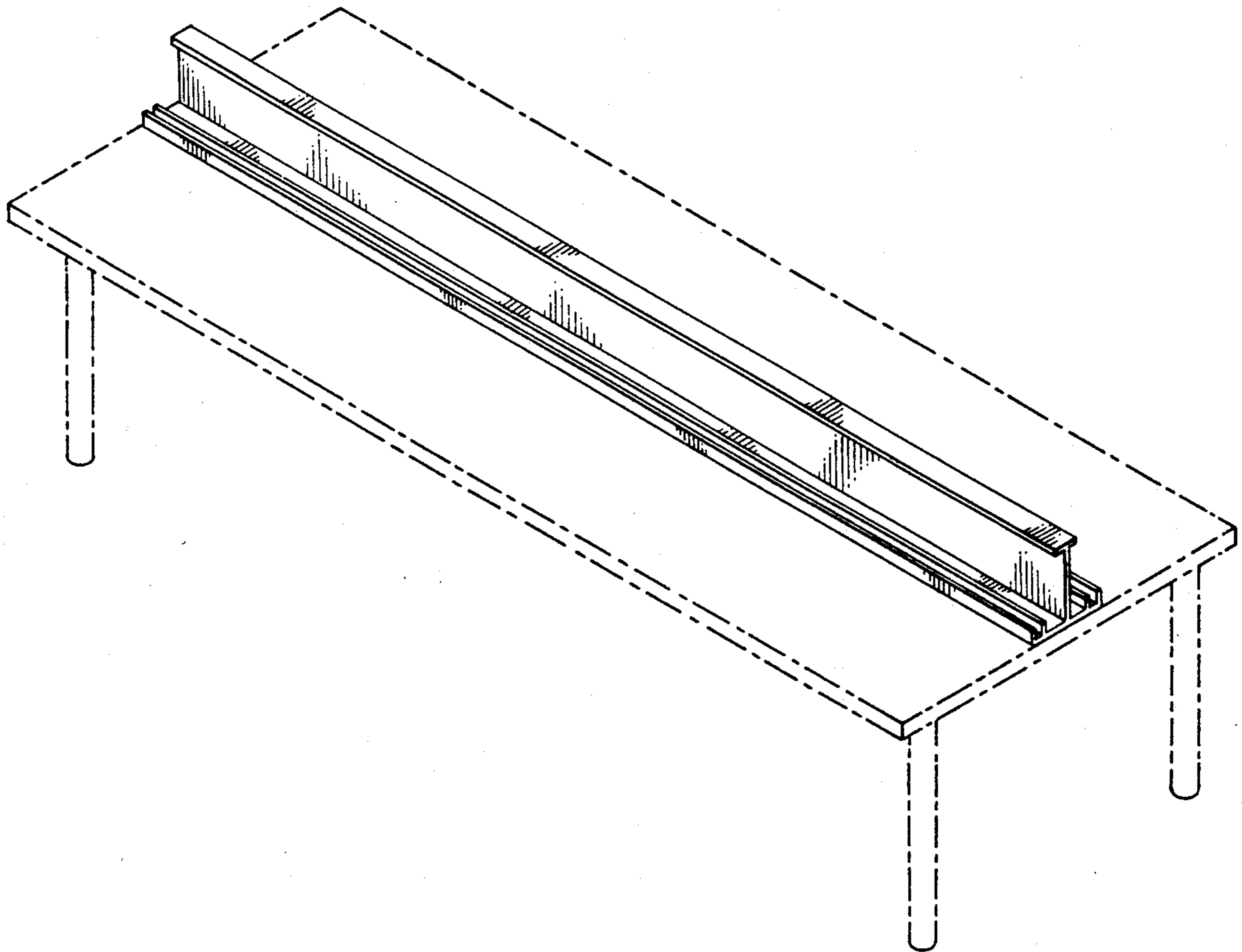
*Primary Examiner*—Bernard Ansher  
*Assistant Examiner*—Prabhakar Deshmukh  
*Attorney, Agent, or Firm*—Glenn D. Bellamy

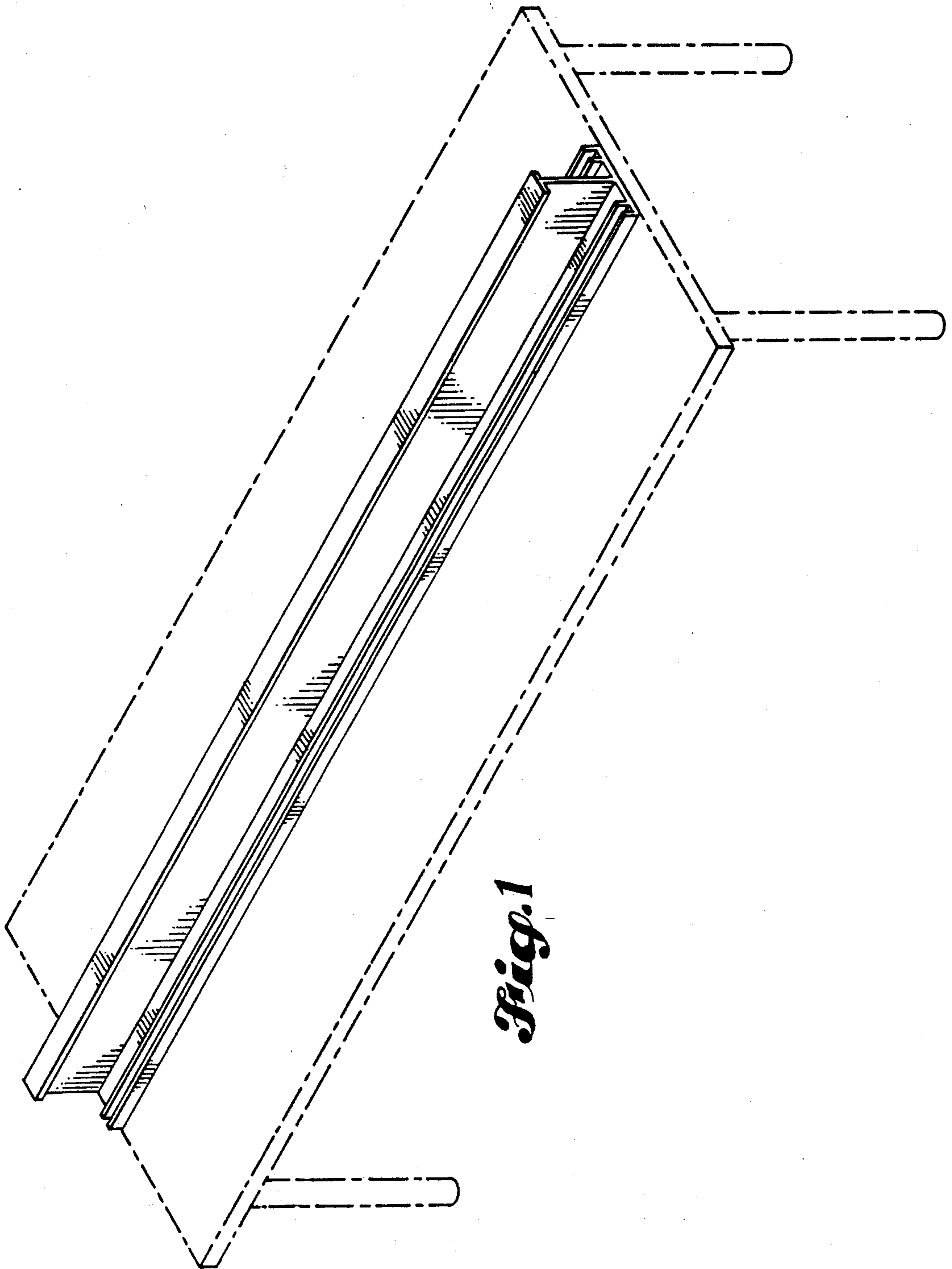
### [57] CLAIM

The ornamental design for a surface mountable bingo card holder, as shown and described.

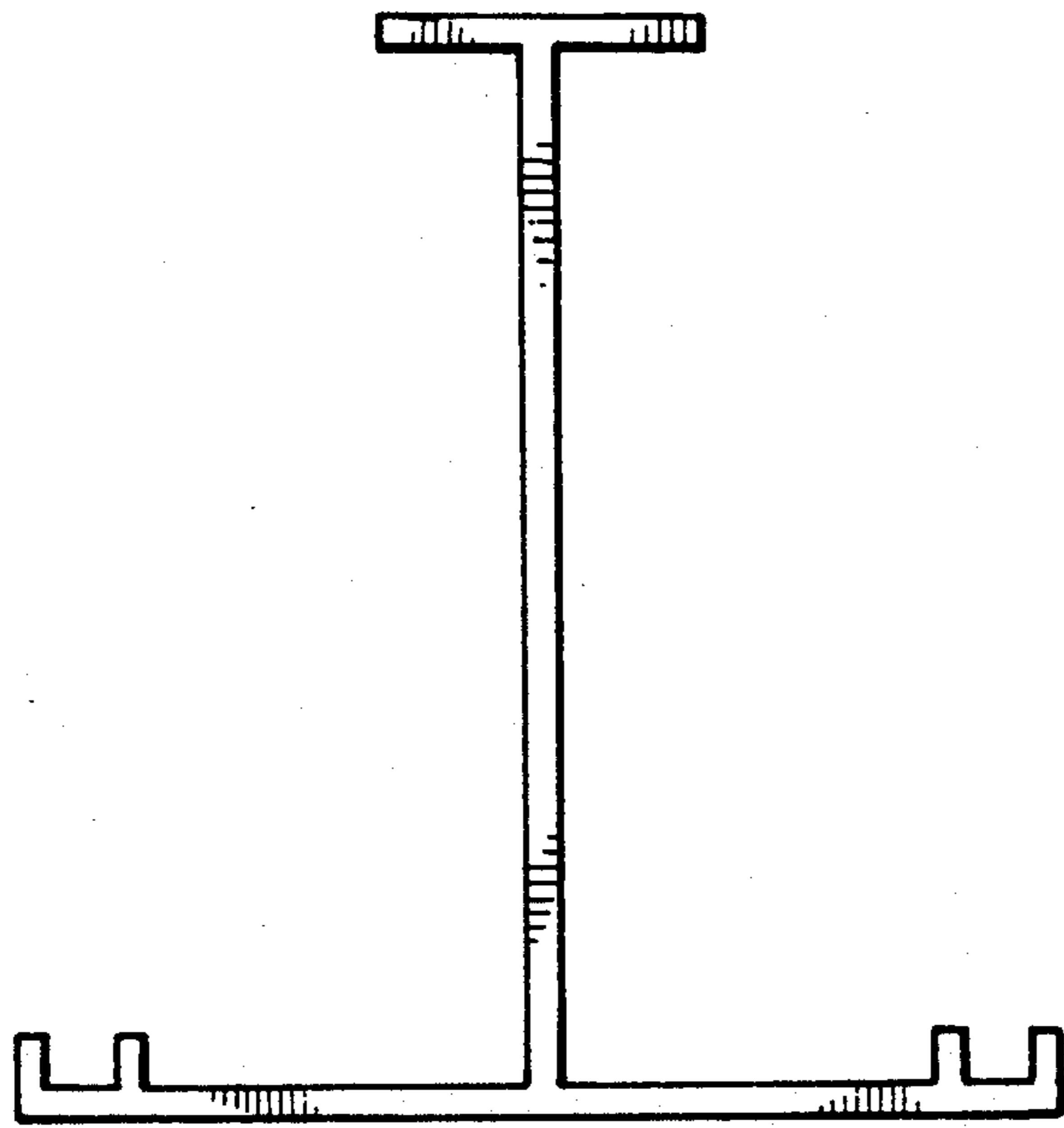
### DESCRIPTION

FIG. 1 is a perspective view of a surface mountable bingo card holder showing my new design; FIG. 2 is a right side elevational view thereof; the left side elevational view being a mirror image thereof; FIG. 3 is a front elevational view thereof; the rear elevational view being a mirror image thereof; FIG. 4 is a top plan view thereof; and, FIG. 5 is a bottom plan view thereof. FIGS. 2-5 are shown in an enlarged scale and fragmentary for ease of illustration. The broken line showing of a table is for illustrative purposes only and forms no part of the design.

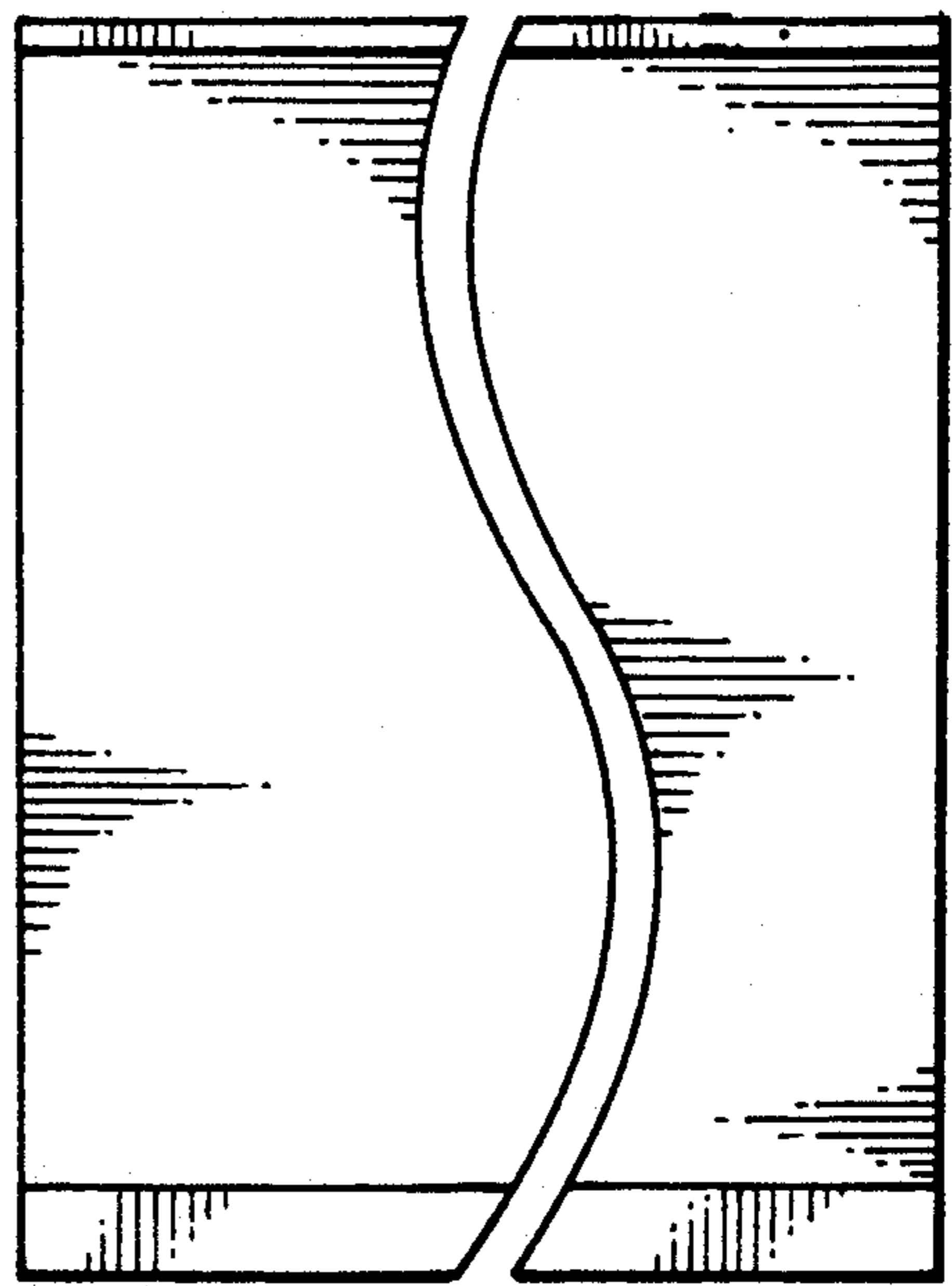




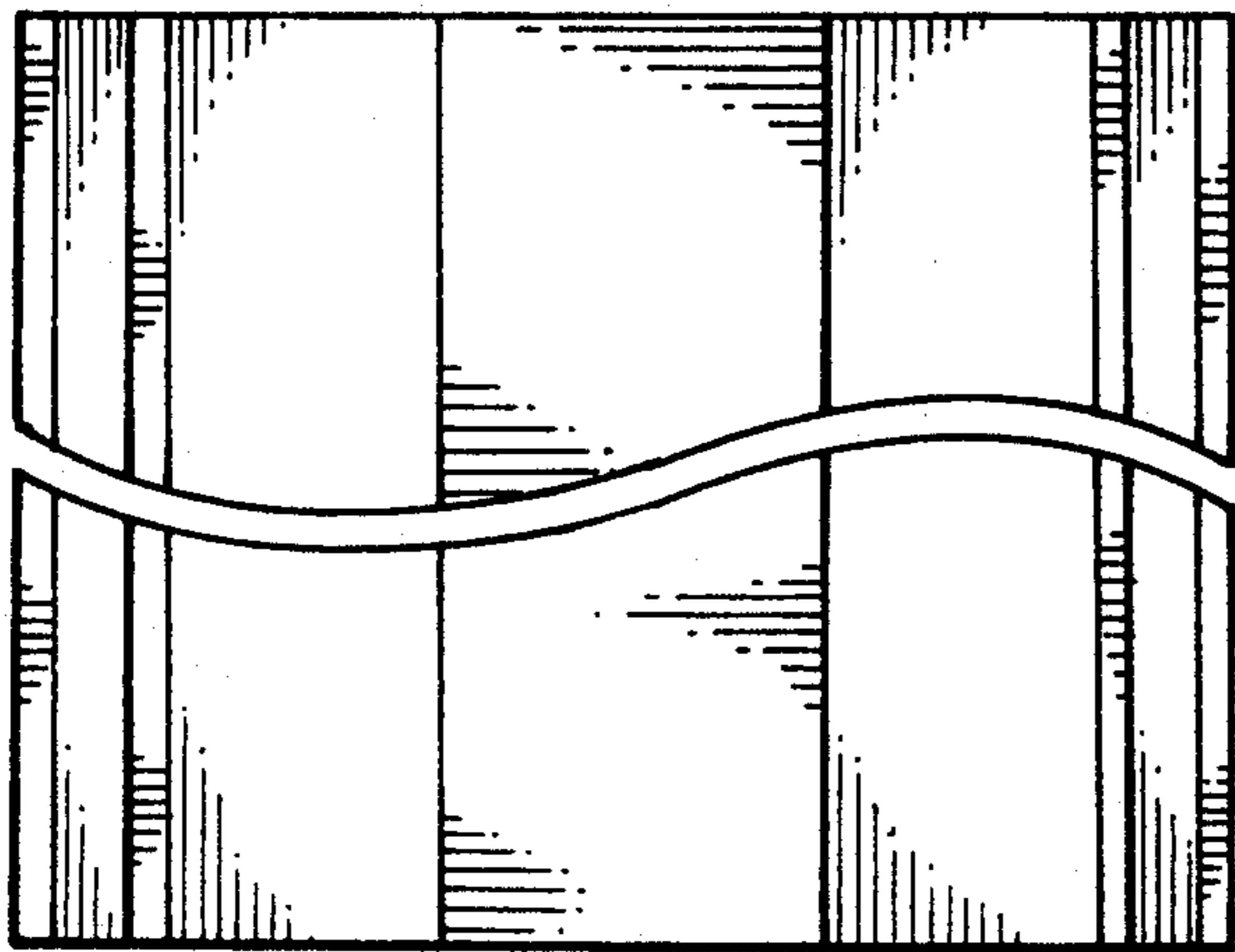
*Fig. 1*



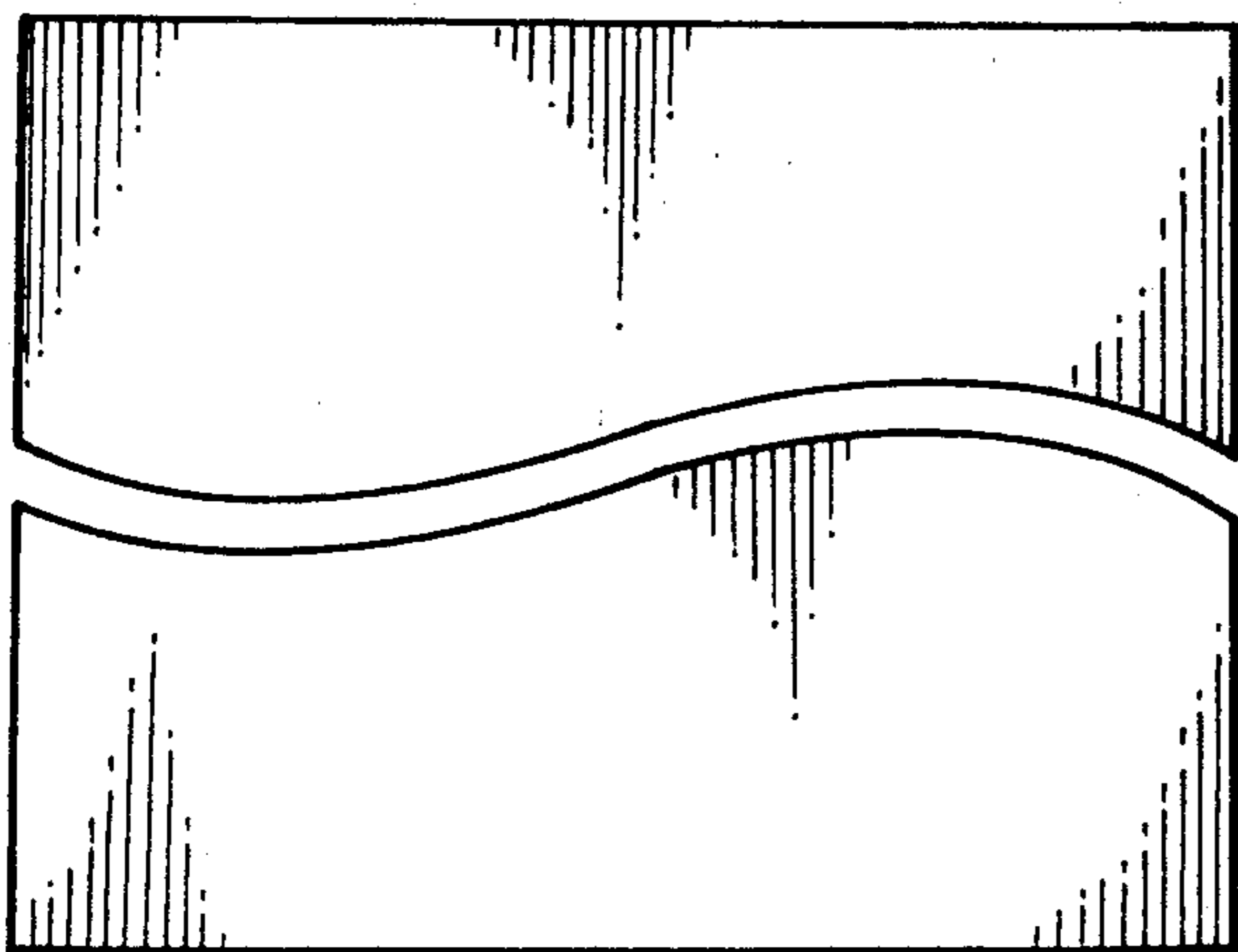
*Fig. 2*



*Fig. 3*



*Fig. 4*



*Fig. 5*