



US00D338902S

United States Patent [19]

[11] Patent Number: **Des. 338,902**

Kozak

[45] Date of Patent: **** Aug. 31, 1993**

[54] **POLISHING BOB ARBOR**

3,819,193	6/1974	Kyriakov	279/2.03
3,858,362	1/1975	Welsch .	
3,871,138	3/1975	Welsch .	
4,602,798	7/1986	Wettstein	279/48
4,866,319	9/1989	Crutchfield .	

[76] Inventor: **Conrad F. Kozak, Wild Run Rd.,
Pennsburg, Pa. 18073**

[**] Term: **14 Years**

Primary Examiner—Alan P. Douglas
Assistant Examiner—Antoine D. Davis
Attorney, Agent, or Firm—Terry M. Gernstein

[21] Appl. No.: **731,904**

[22] Filed: **Jul. 18, 1991**

[57] **CLAIM**

[52] U.S. Cl. **D15/140; D15/1138**

[58] Field of Search **D15/140, 138, 139, 141,
D15/199, 130, 140; 15/3.53; 51/170 PT, 403,
58, 68, 166 TS, 1, 339; 74/25; 200/61.85;
279/46.2, 42, 48, 143; 310/47, 89; 368/140, 322**

The ornamental design for a polishing bob arbor, as shown and described.

DESCRIPTION

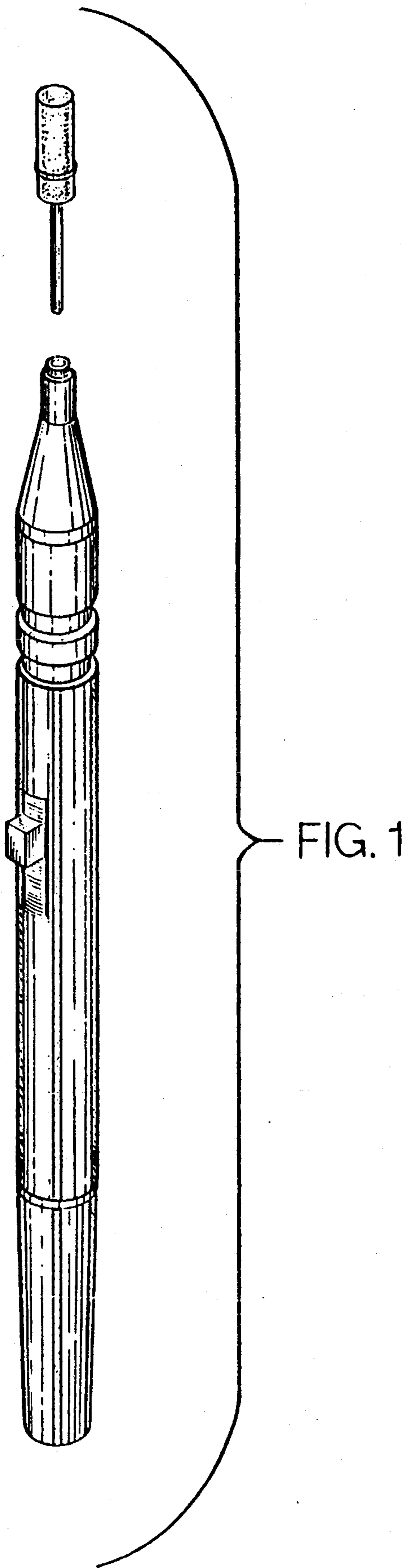
[56] **References Cited**

U.S. PATENT DOCUMENTS

D. 148,210	12/1947	Bamberger	D15/140
D. 148,211	12/1947	Bamberger	D15/140
3,626,794	12/1971	Seethaler	82/162

FIG. 1 is a perspective view of the polishing bob arbor; FIG. 2 is a front elevational view thereof; FIG. 3 is a rear elevational view thereof; FIG. 4 is a side elevational view thereof, the side opposite being a mirror image of the side shown in FIG. 4; FIG. 5 is a top plan view thereof; and, FIG. 6 is a bottom view thereof.





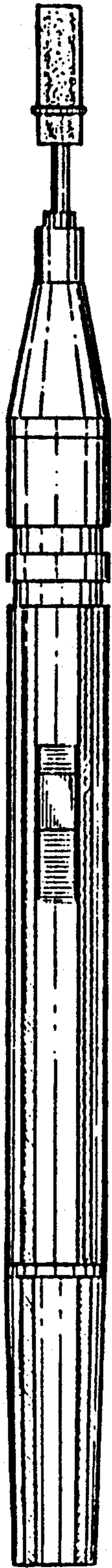


FIG. 2

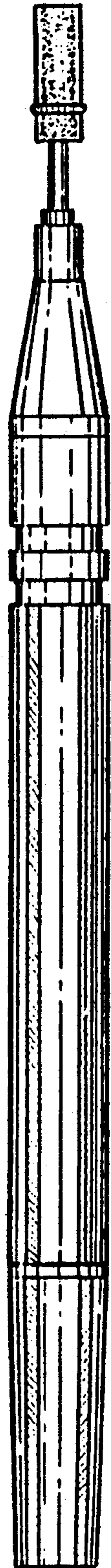


FIG. 3



FIG. 4

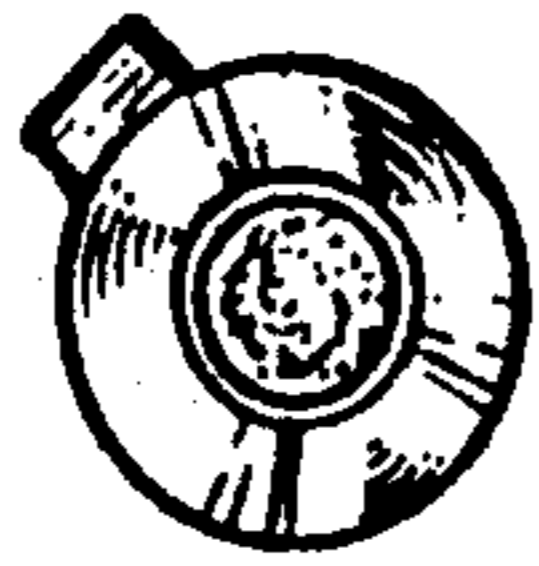


FIG. 5



FIG. 6