



US00D338901S

United States Patent [19]
Chen

[11] **Patent Number: Des. 338,901**
[45] **Date of Patent: ** Aug. 31, 1993**

[54] **GRINDING MACHINE**

[76] **Inventor: Chao-Hsin Chen, No. 37, Lane 690, Fengshih Rd., Fengyuan City, Taichung County, Taiwan**

[**] **Term: 14 Years**

[21] **Appl. No.: 816,041**

[22] **Filed: Jan. 2, 1992**

[52] **U.S. Cl. D15/124; D15/123**

[58] **Field of Search D15/122, 124, 125, 126; 51/109 R, 109 BS, 110, 111 R, 111 BR, 112, 113, 114**

[56] **References Cited**

U.S. PATENT DOCUMENTS

4,938,104 7/1990 Iseli 51/111 R X

OTHER PUBLICATIONS

Cheieshenn, Bench dry/wet Grinder, (no date provided), cover.

Primary Examiner—Alan P. Douglas
Assistant Examiner—Antoine D. Davis
Attorney, Agent, or Firm—Rogers, Howell & Haferkamp

[57] **CLAIM**

The ornamental design for a grinding machine, as shown and described.

DESCRIPTION

FIG. 1 is a top, front perspective view of a grinding machine showing my design;

FIG. 2 is a front elevational view thereof;

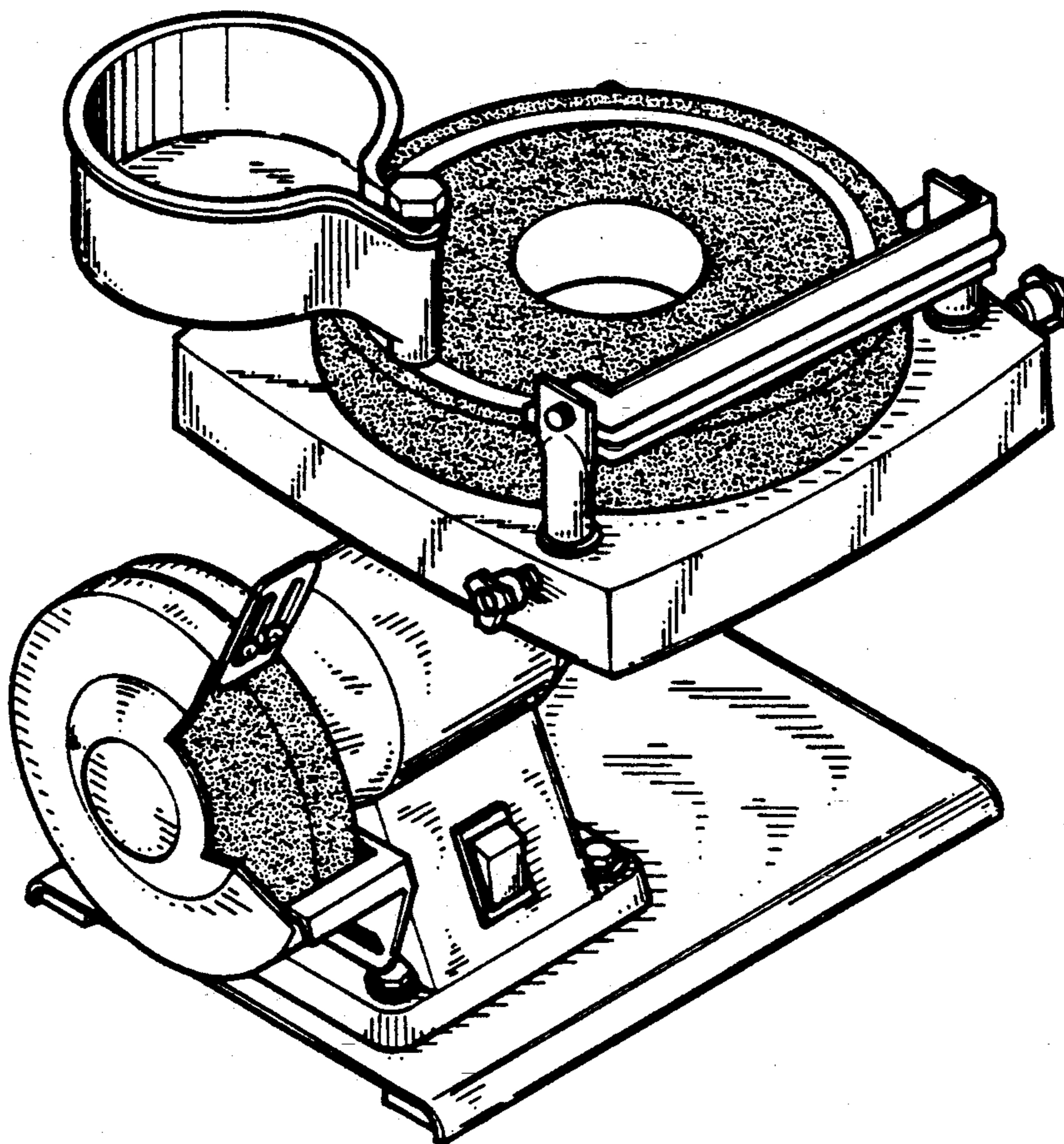
FIG. 3 is a rear elevational view thereof;

FIG. 4 is a top plan view thereof;

FIG. 5 is a bottom plan view thereof;

FIG. 6 is a left side elevational view thereof; and,

FIG. 7 is a right side elevational view thereof.



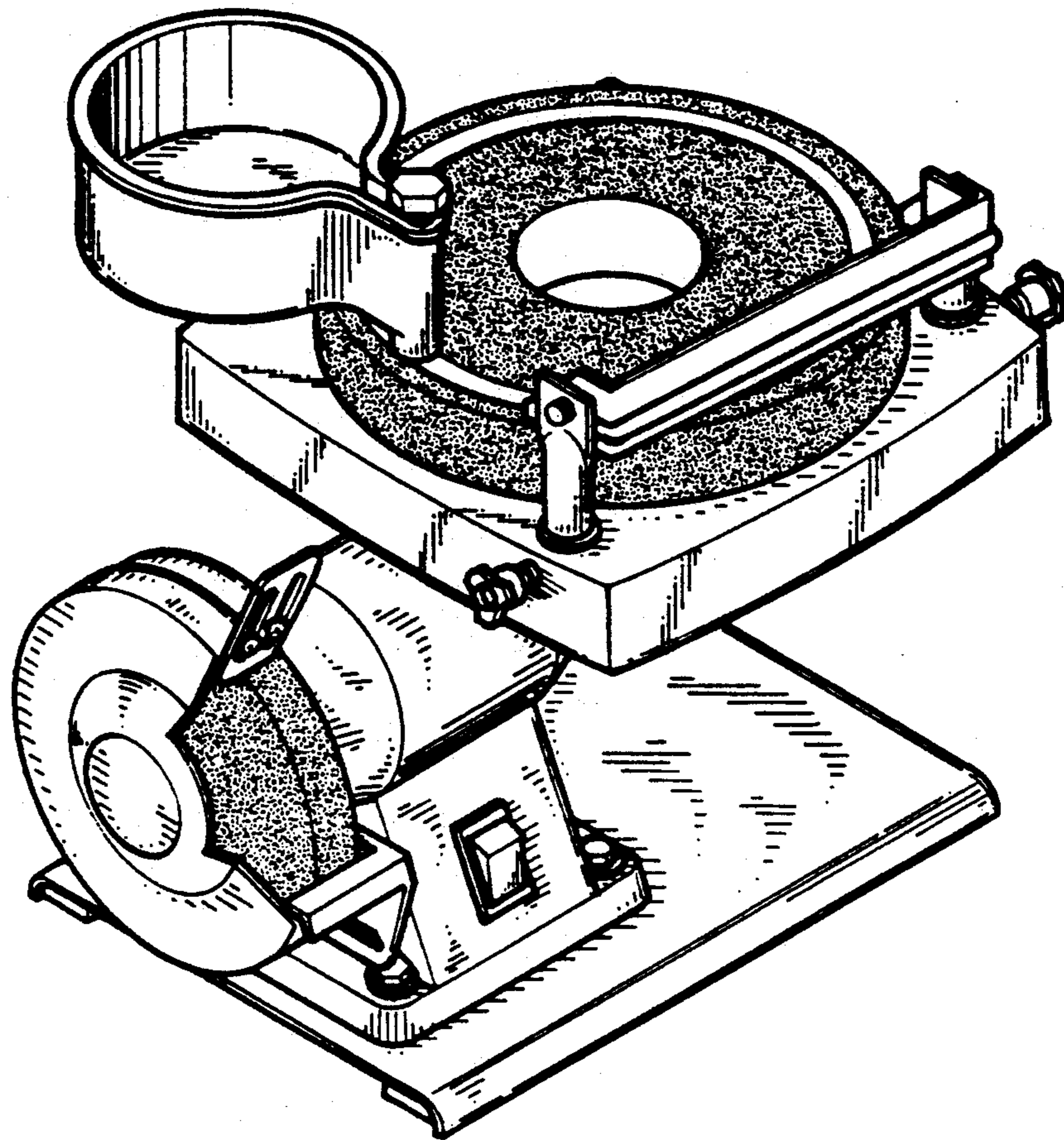


Fig. 1

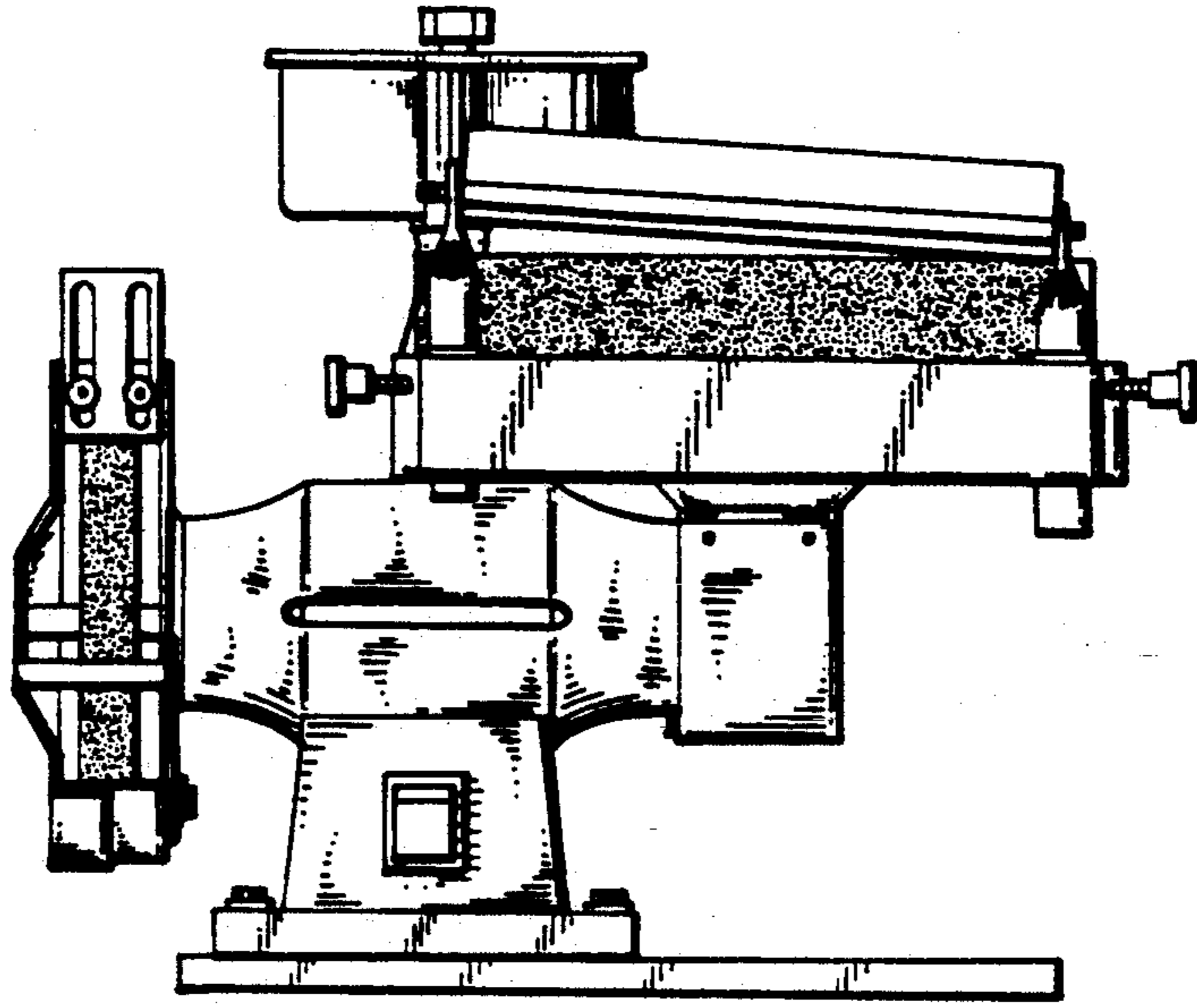


Fig. 2

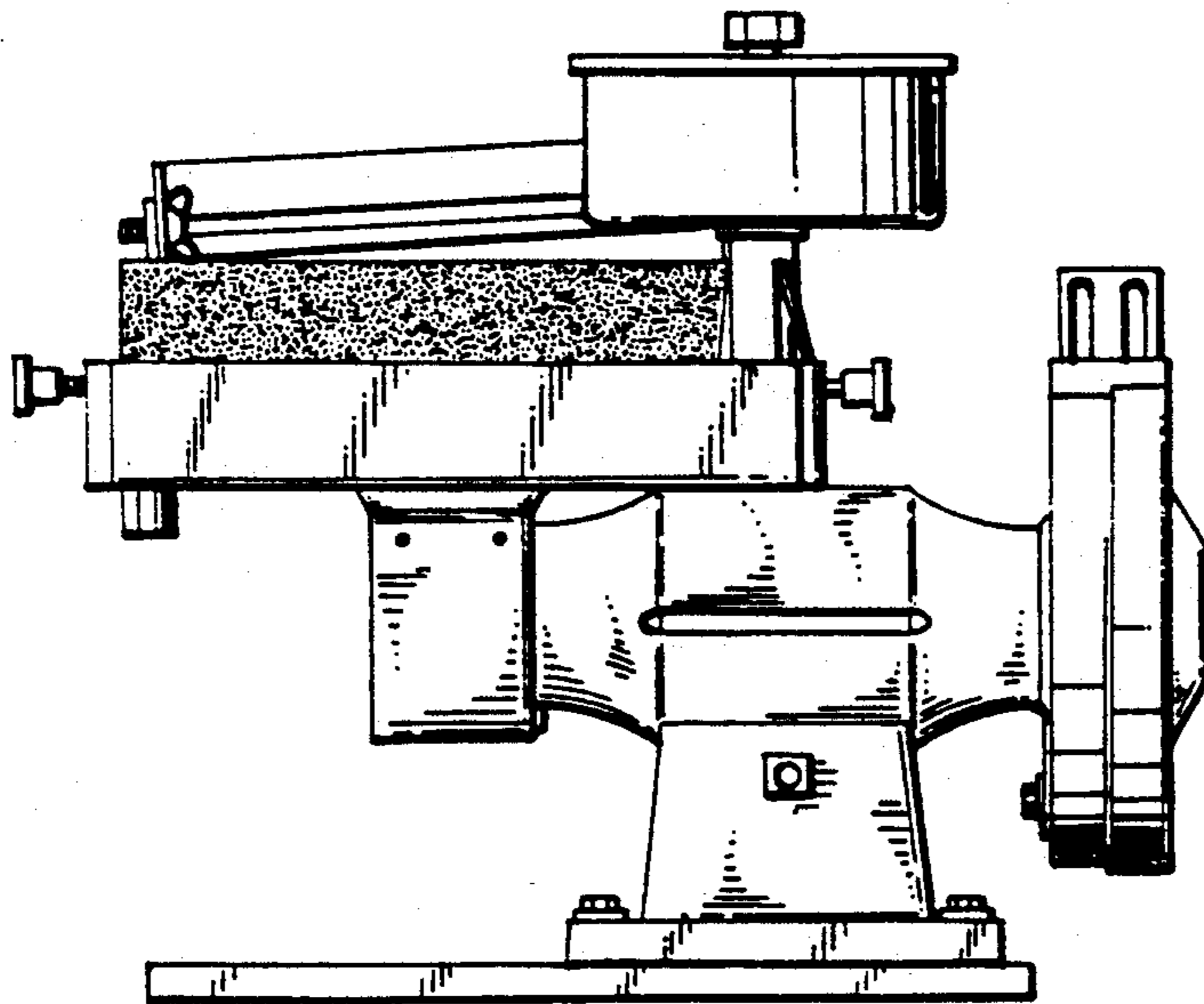


Fig. 3

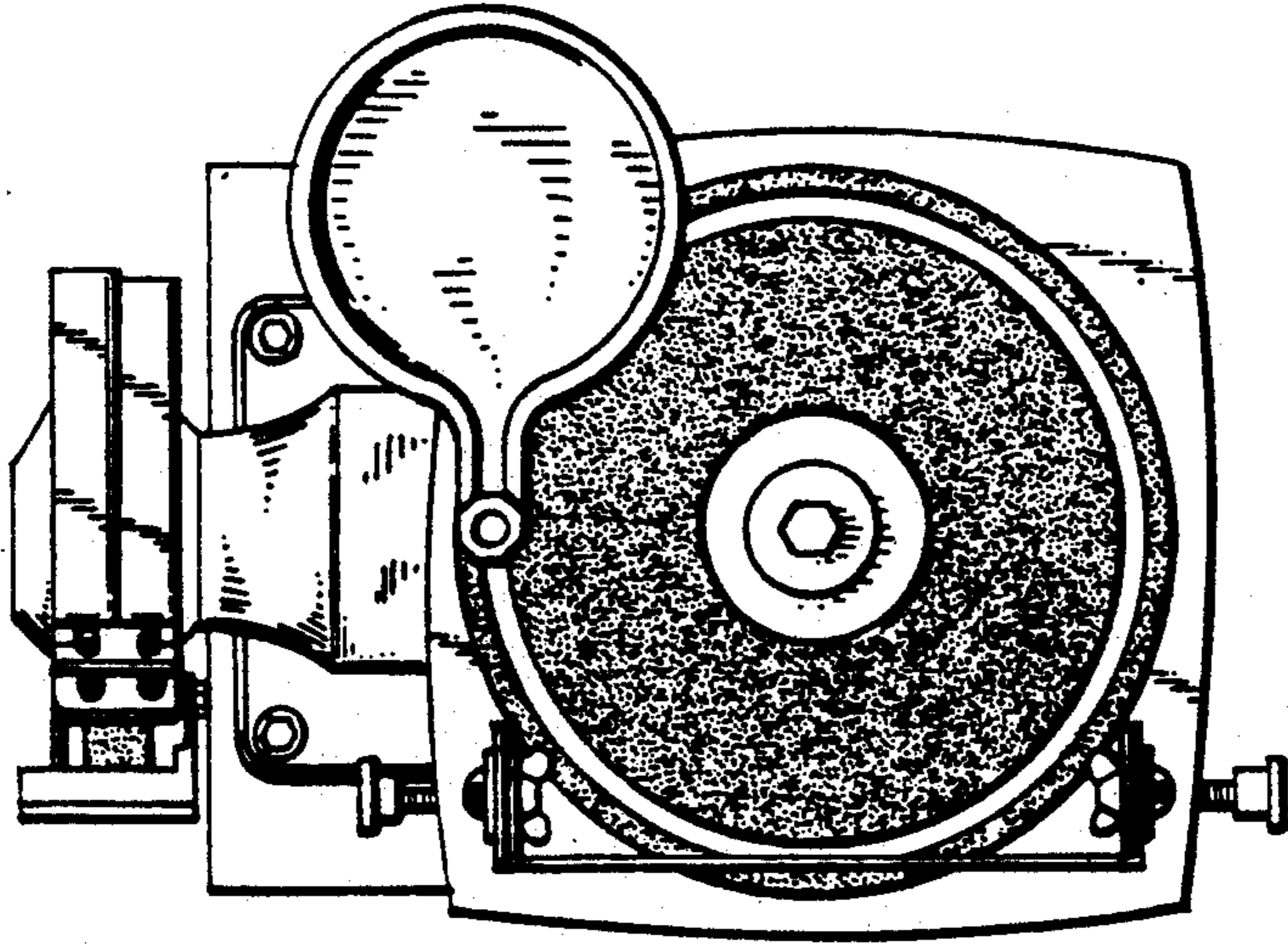


Fig. 4

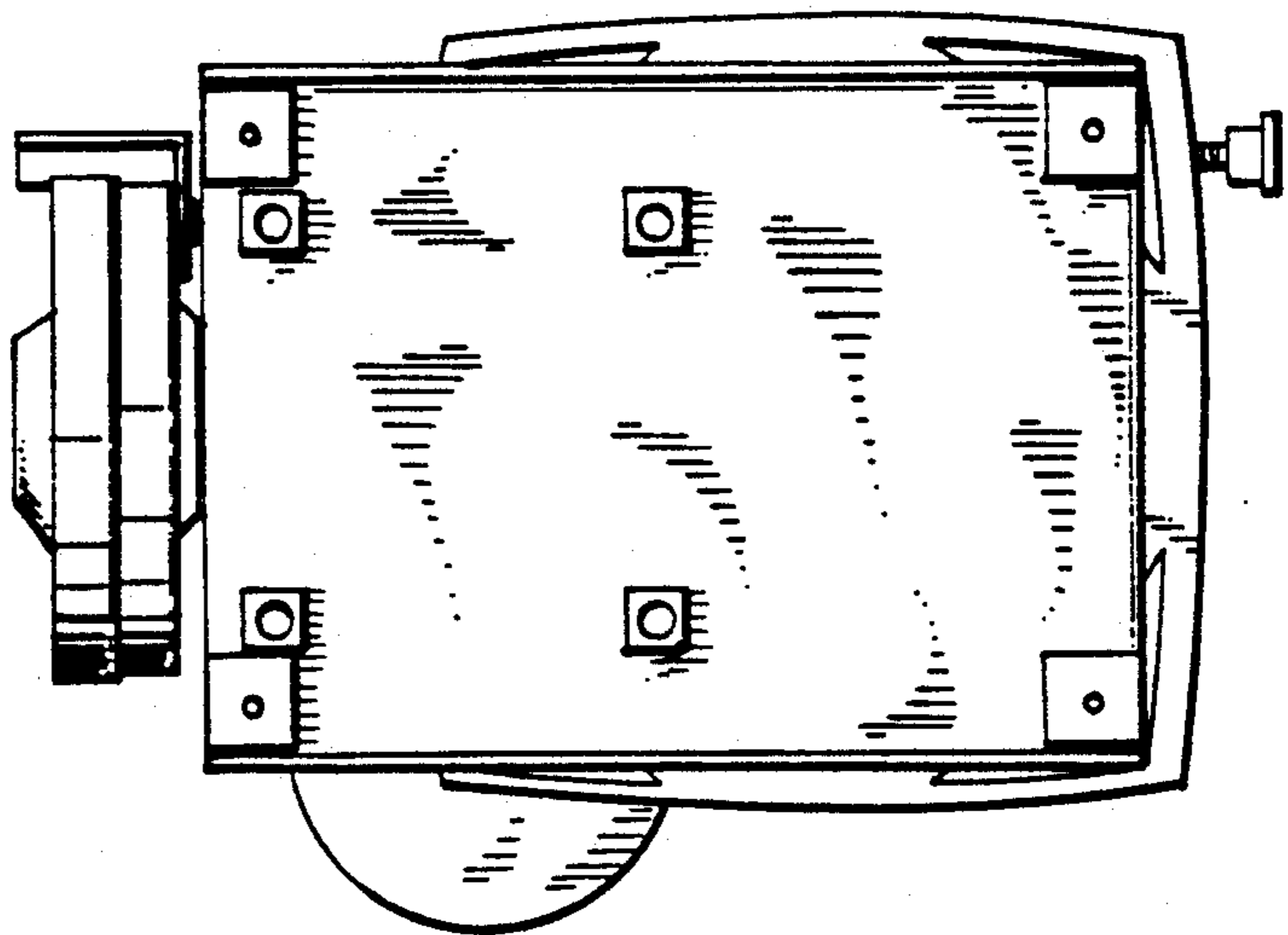


Fig. 5

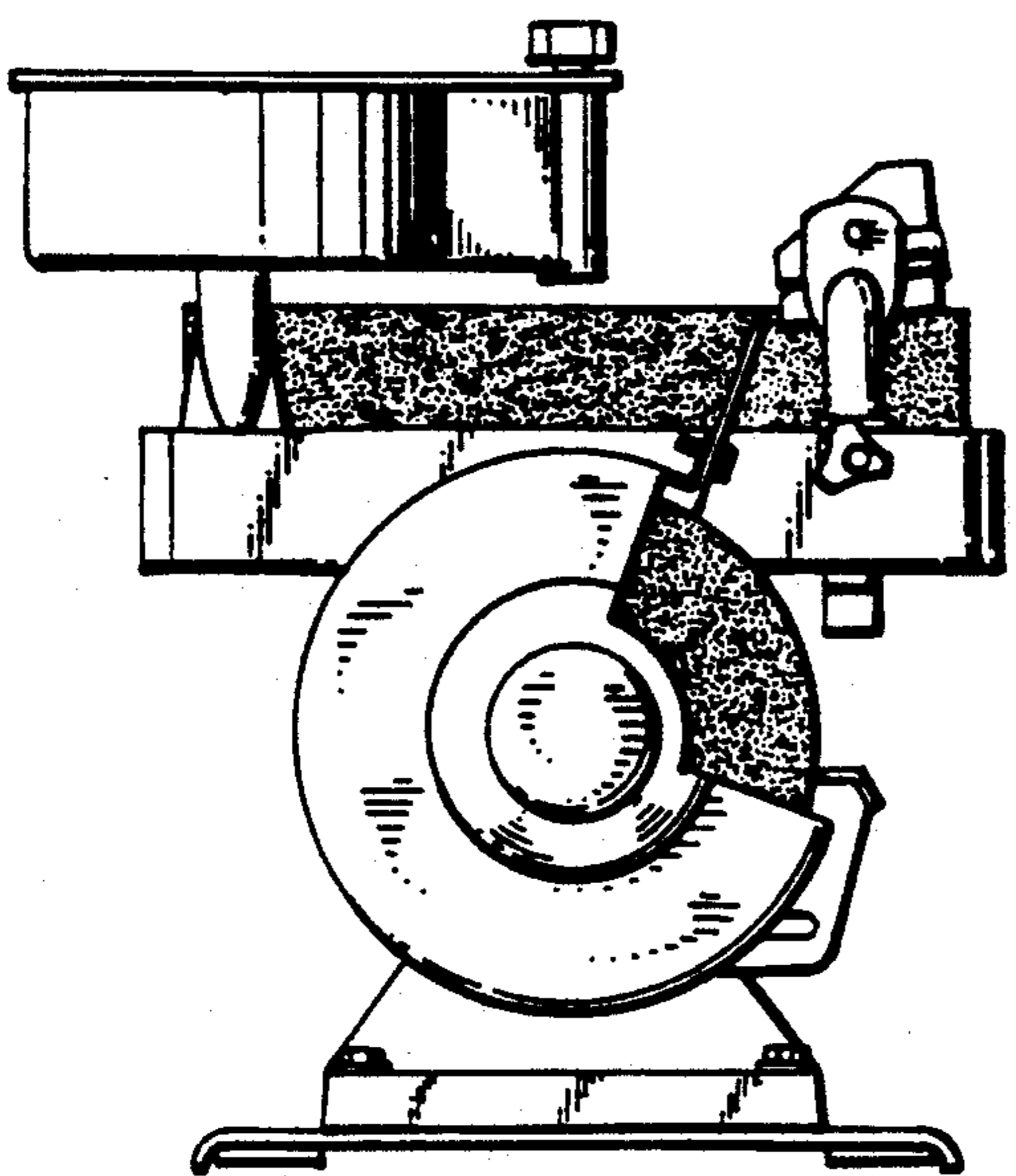


Fig. 6

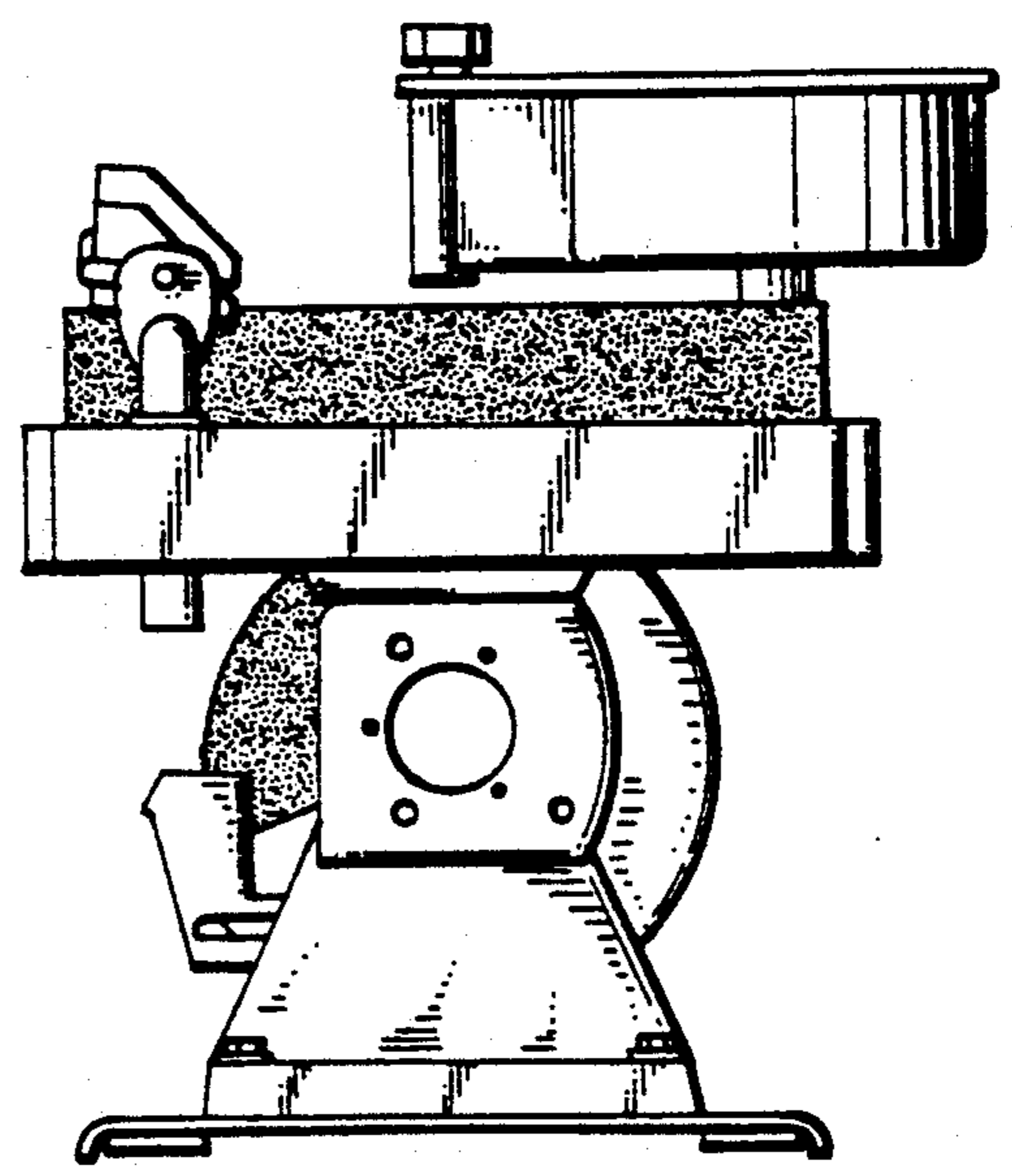


Fig. 7