



US00D338898S

United States Patent [19]

[11] Patent Number: **Des. 338,898**

Corcoran et al.

[45] Date of Patent: **** Aug. 31, 1993**

[54] **COMPACTOR TOOTH**

4,302,129	11/1981	Arenz	404/121
4,919,566	4/1990	Caron et al.	301/44 R
5,144,762	9/1992	Robinson	37/141 T

[75] Inventors: **Paul T. Corcoran, Washington; George B. Kokos, Mapleton; David O. Philips, Metamora, all of Ill.**

FOREIGN PATENT DOCUMENTS

[73] Assignee: **Caterpillar Inc., Peoria, Ill.**

0753858	3/1967	Canada	404/121
0291333	1/1988	European Pat. Off.	305/39
7707261	1/1979	Netherlands	305/35 R

[**] Term: **14 Years**

Primary Examiner—Bernard Ansher
Assistant Examiner—Sandra Morris
Attorney, Agent, or Firm—J. W. Burrows

[21] Appl. No.: **812,654**

[22] Filed: **Dec. 23, 1991**

[52] U.S. Cl. **D15/28**

[57] **CLAIM**

[58] Field of Search **D15/28, 29, 32; 301/44 R, 44 T; 305/35 R, 39, 54, 58 R; 404/121-124**

The ornamental design for a compactor tooth, as shown and described.

DESCRIPTION

[56] **References Cited**

U.S. PATENT DOCUMENTS

3,252,391	5/1966	Dils, Jr.	301/44.12
3,274,908	9/1966	Grant et al.	94/48
3,650,185	3/1972	Takata	404/124
3,891,341	6/1975	Trainor et al.	404/121
3,922,106	11/1975	Caron et al.	301/44 T
4,074,942	2/1978	Cochran	404/121

FIG. 1 is an isometric view of a compactor tooth showing a new design;
FIG. 2 is a left side view thereof;
FIG. 3 is a front view thereof;
FIG. 4 is a right side view thereof;
FIG. 5 is a rear view thereof;
FIG. 6 is a top view thereof; and,
FIG. 7 is a bottom view thereof.

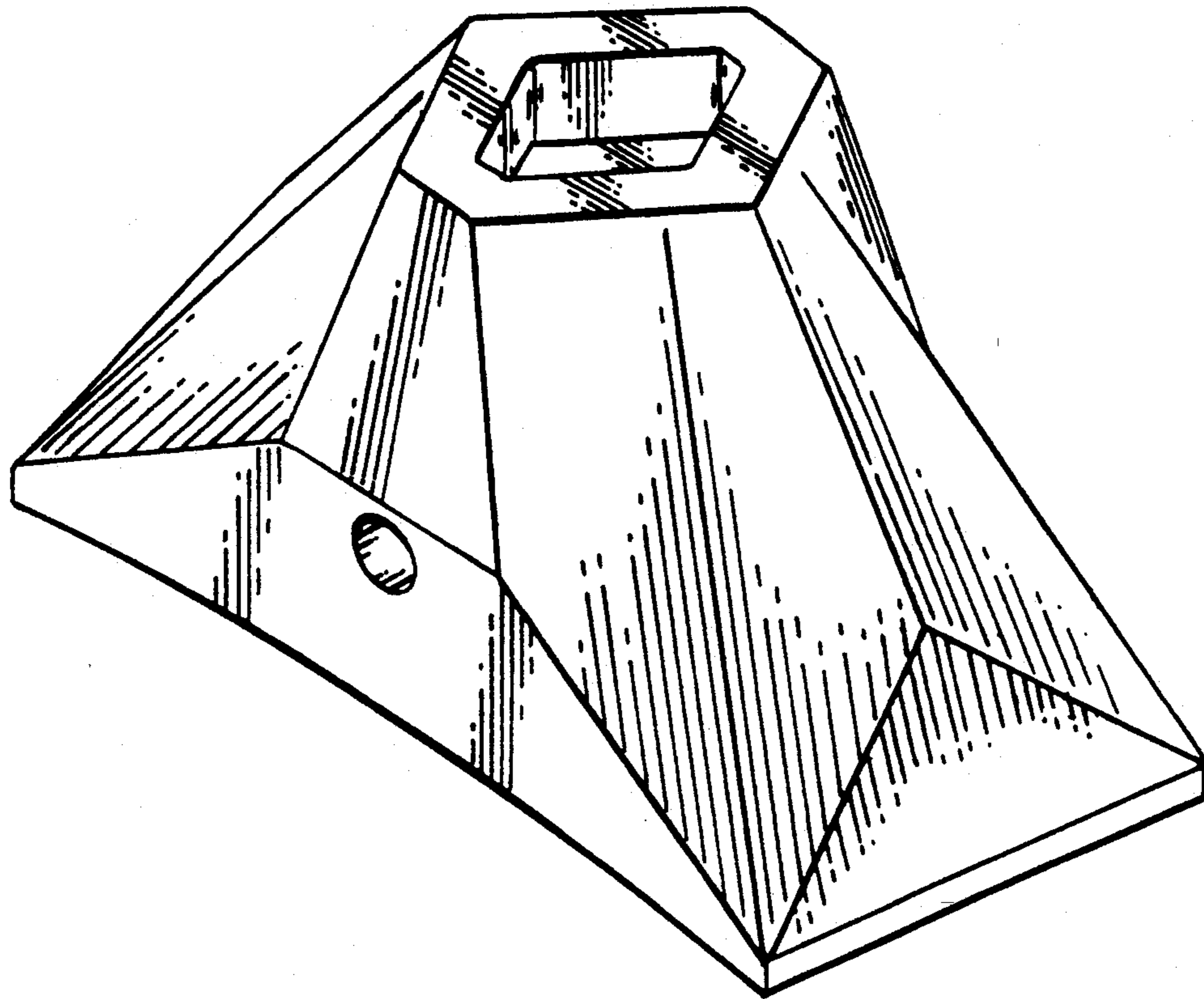


FIG. 1.

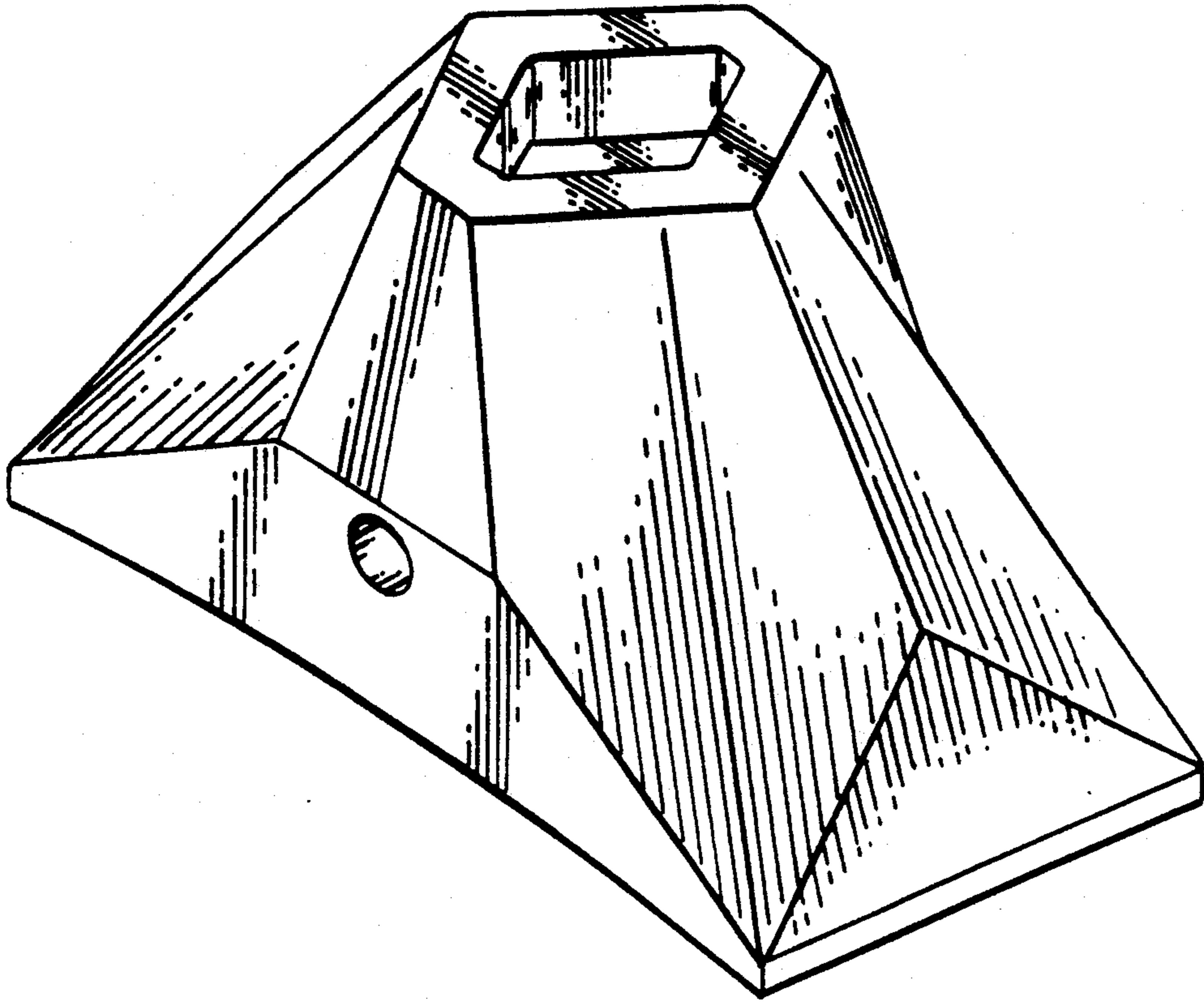


FIG. 2.

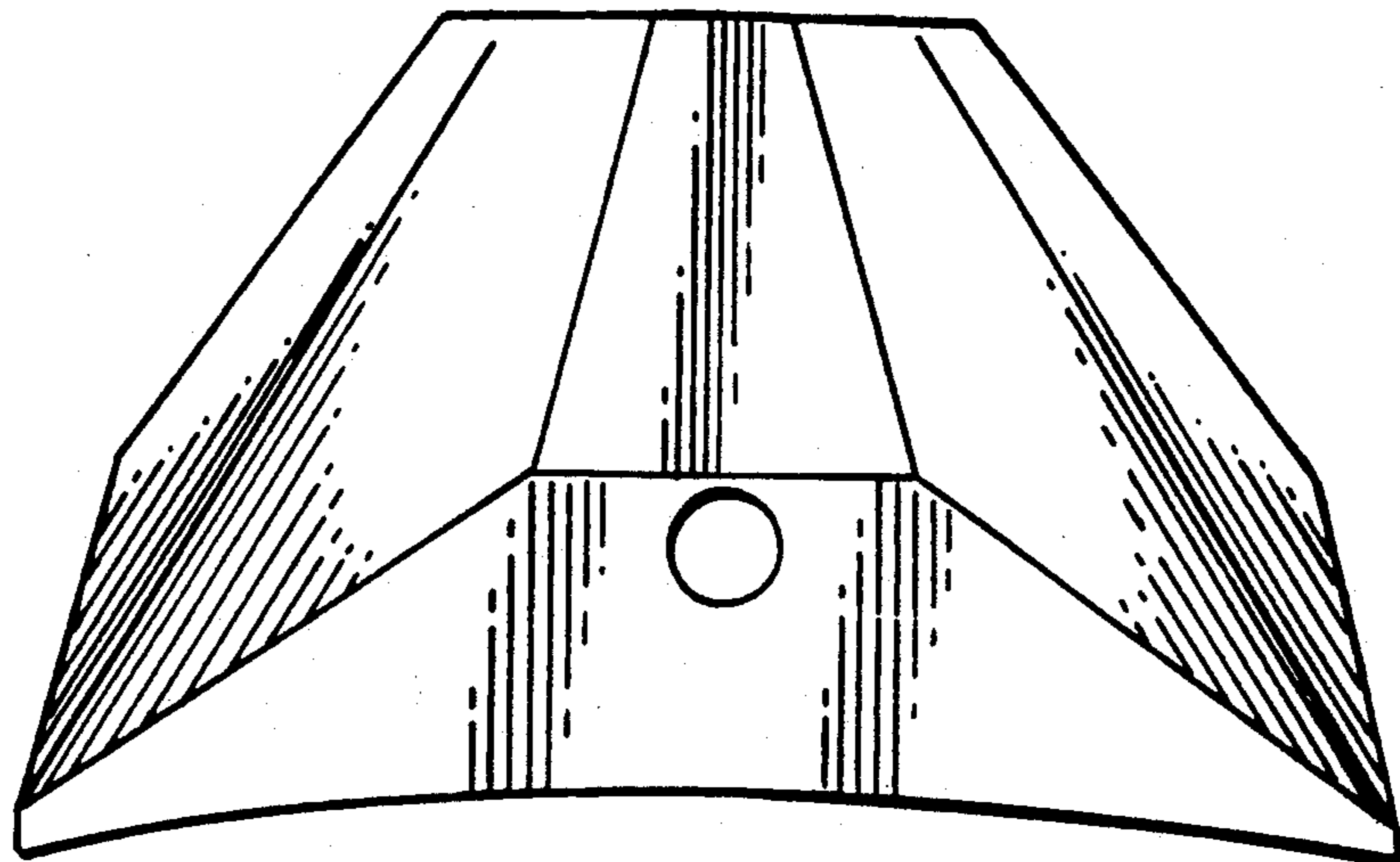


FIG. 3.

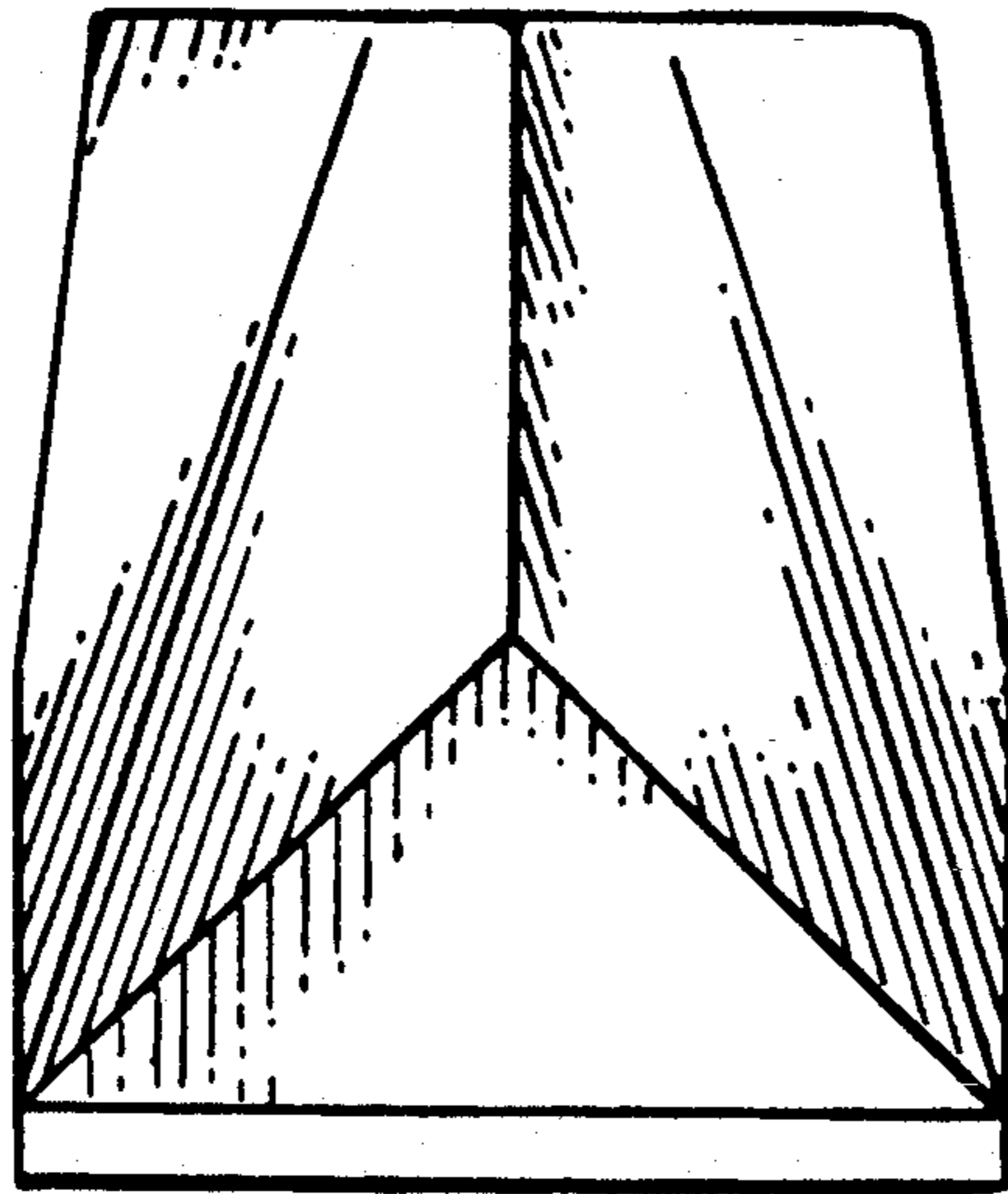


FIG. 4.

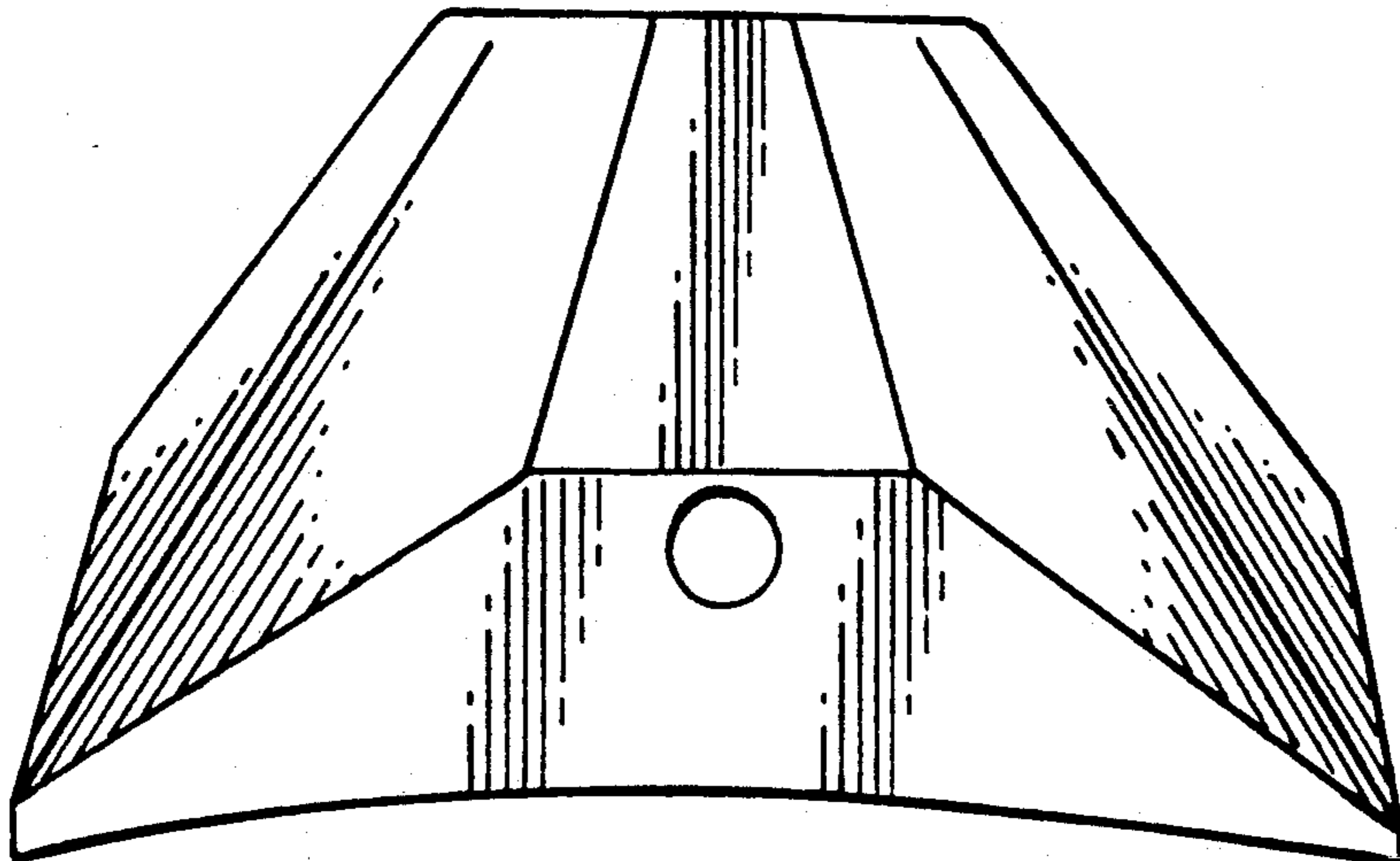


FIG. 5.

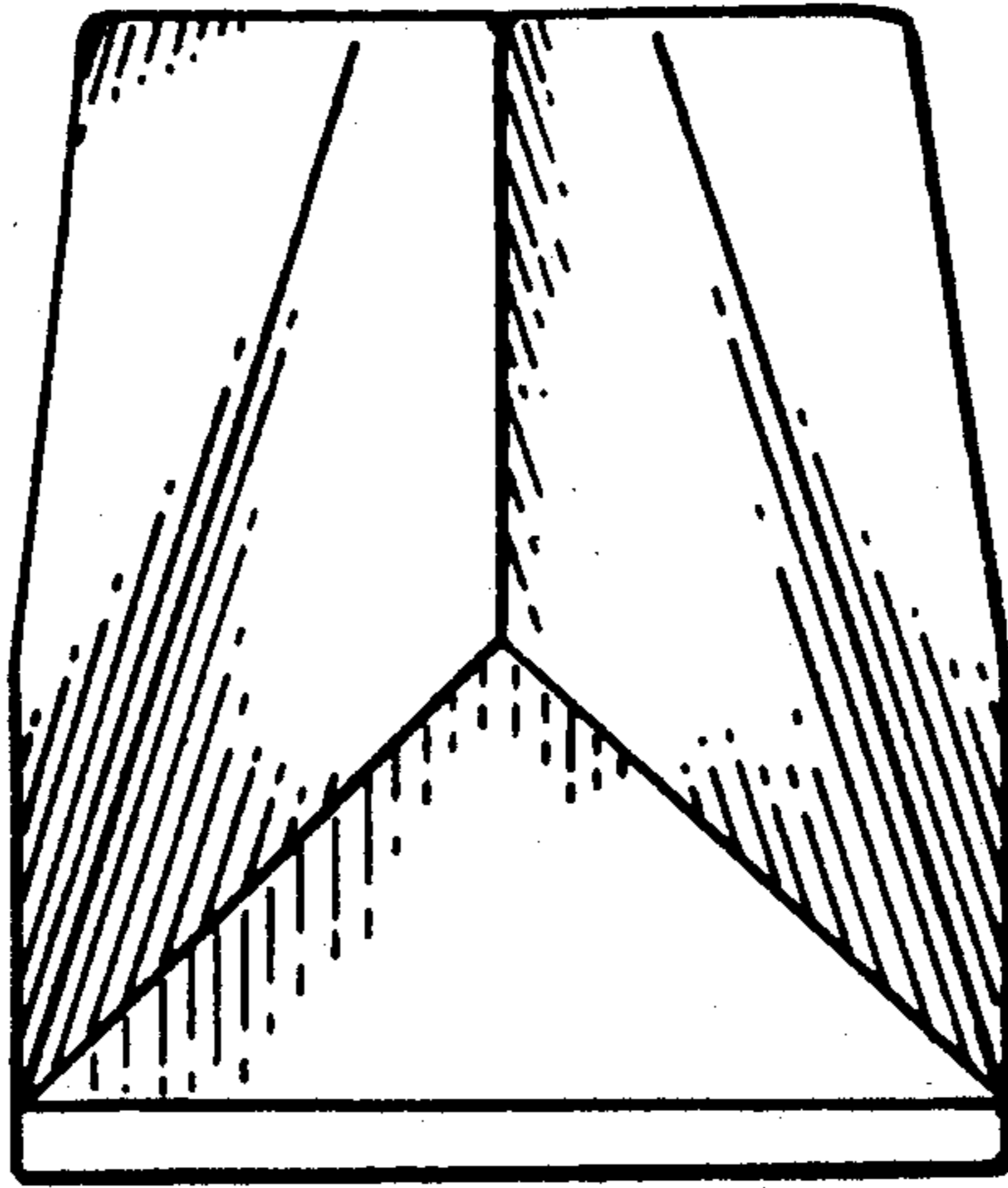


FIG. 6.

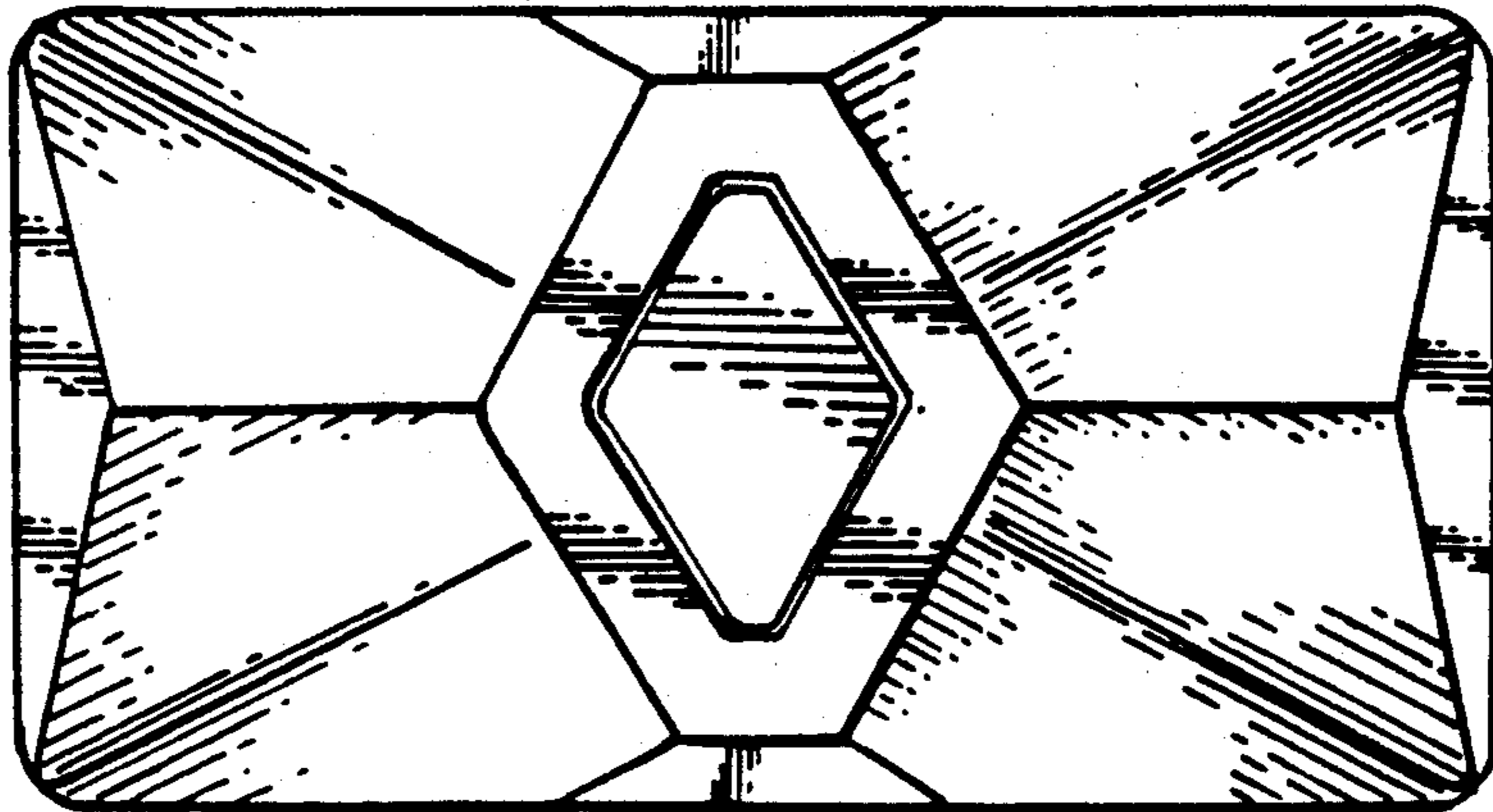


FIG. 7.

