



US00D338896S

# United States Patent [19]

[11] Patent Number: Des. 338,896

Flenniken et al.

[45] Date of Patent: \*\* Aug. 31, 1993

## [54] SIDE PANEL

[75] Inventors: John M. Flenniken, Beaver Dam, Wis.; William E. Crookes, Waldwick, N.J.

[73] Assignee: Deere & Company, Moline, Ill.

[\*\*] Term: 14 Years

[21] Appl. No.: 471,241

[22] Filed: Jan. 26, 1990

[52] U.S. Cl. .... D15/17

[58] Field of Search ..... D15/14-17, D15/28; 56/13.4, 16.7, 17.5, 202, 255, 294, 295, 320.1, 320.2

## [56] References Cited

### U.S. PATENT DOCUMENTS

- D. 230,046 1/1974 Manofsky ..... D15/15
- D. 245,604 8/1977 Cognata et al. .... D15/15

### OTHER PUBLICATIONS

- Grainger's Wholesale Net Price Motorbook, No. 338 Spring 1974 p. 306, Dayton No. 32459, bottom left.
- Ariens Tractors, dated Jul. 25, 1988, p. 3, pic left side.
- Deere & Company, "John Deere Front Mowers", 16 pages, Dec. 1987, USA.
- Deere & Company, "John Deere Lawn & Garden Tractors 300/400 Series", 12 pages, Dec. 1988, USA.
- Deere & Company, "John Deere Compact Tractors Under-40-hp", 20 pages, Aug. 1989, USA.

- Deere & Company, "John Deere Suburban Tractors—FPX—30 and FPX—38", 4 pages, Dec. 1989, USA.
- Deere & Company, "John Deere Lawn Tractors—100 Series", 8 pages, Dec. 1989, USA.
- Deere & Company, "John Deere Riding Mowers", 16 pages, Dec. 1989, USA.

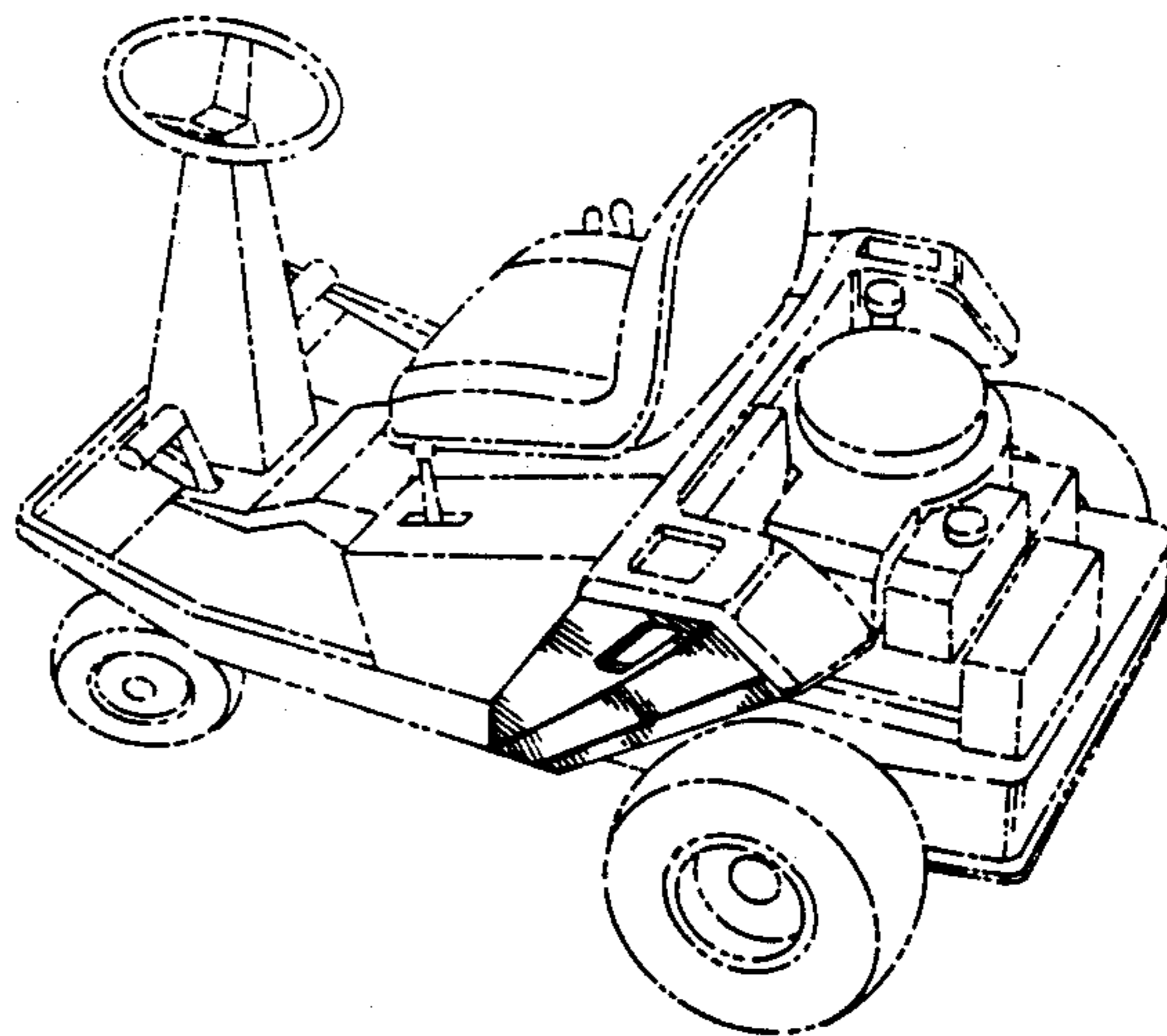
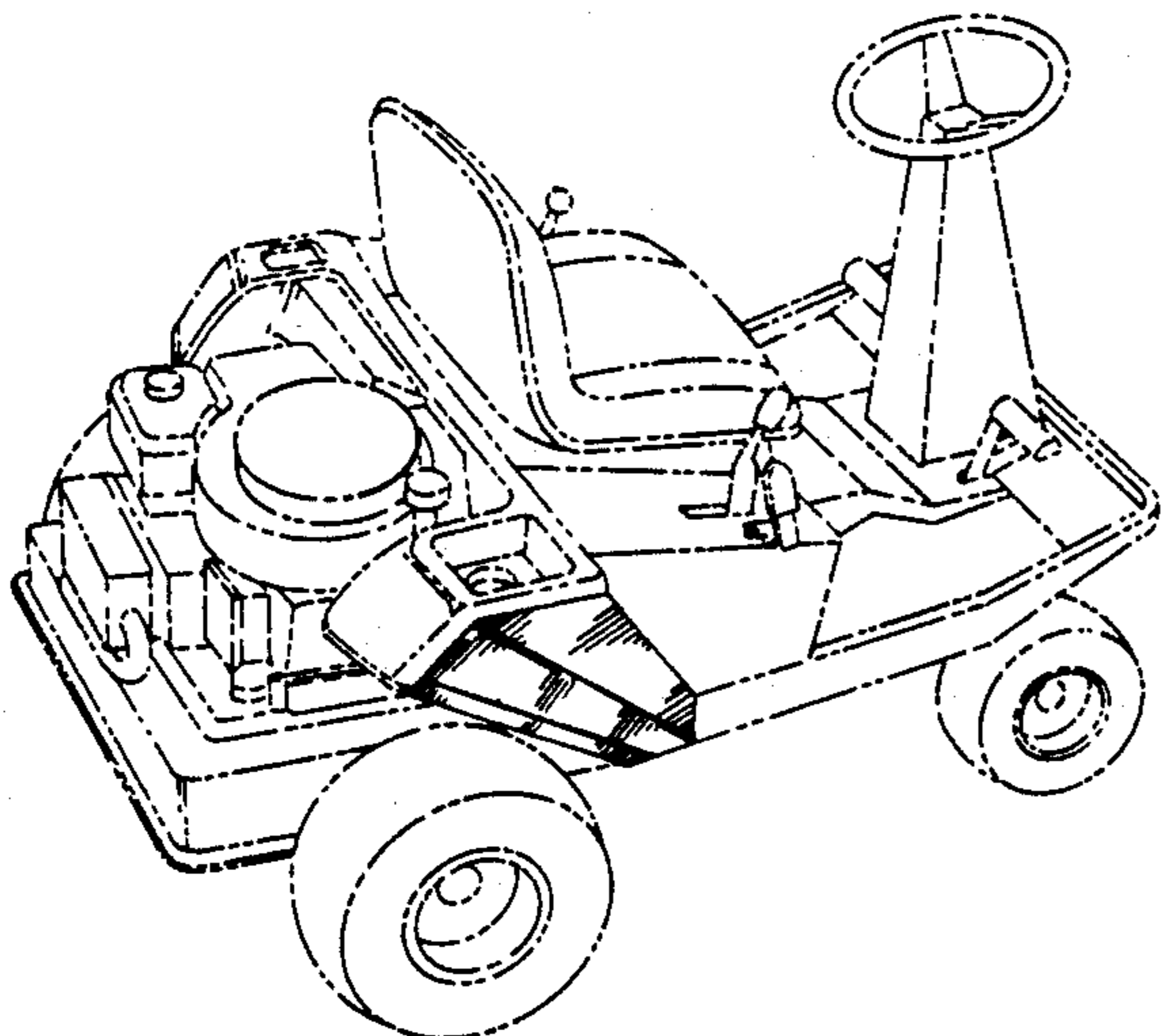
Primary Examiner—Bernard Ansher  
Assistant Examiner—Sandra Morris

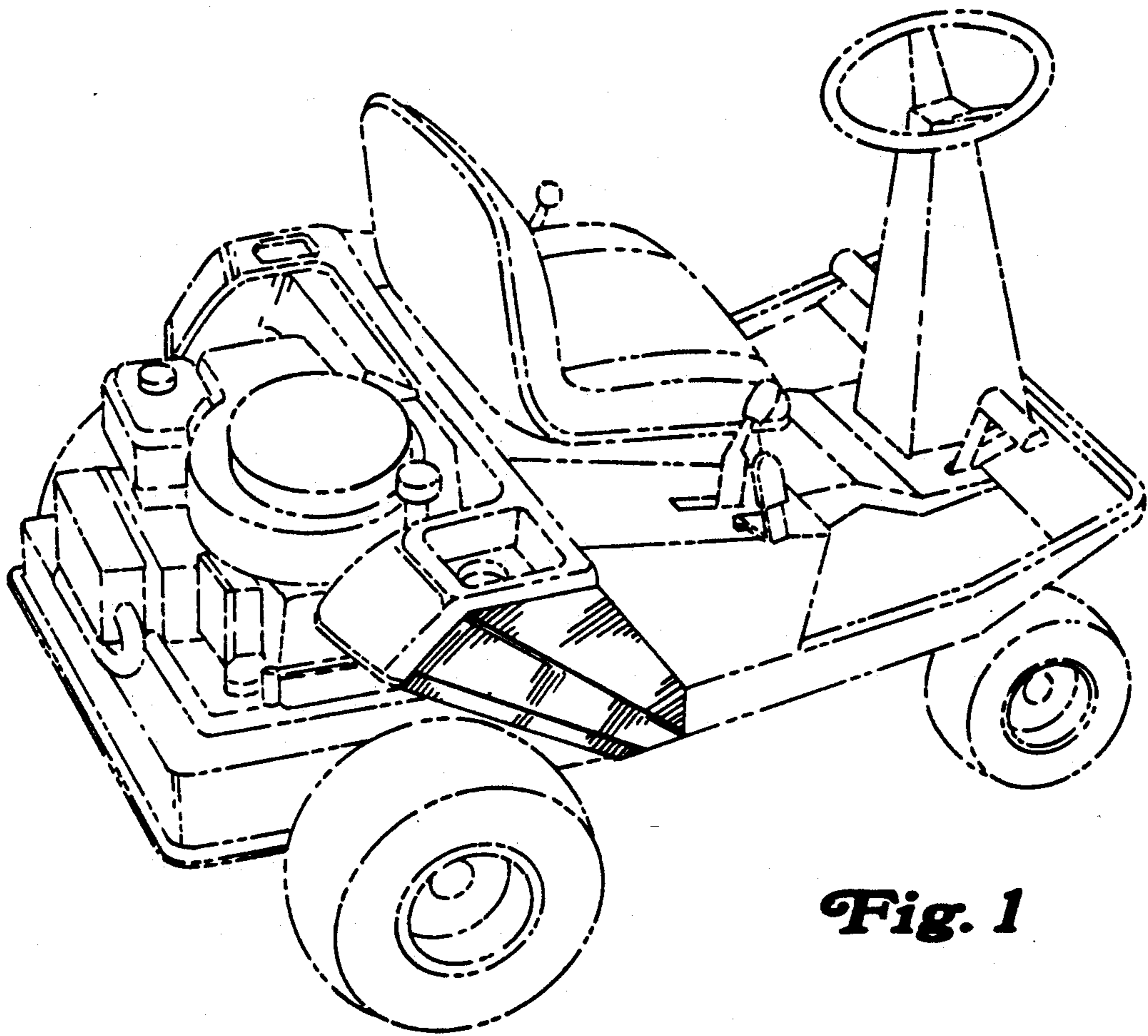
## [57] CLAIM

The ornamental design for a side panel, as shown and described.

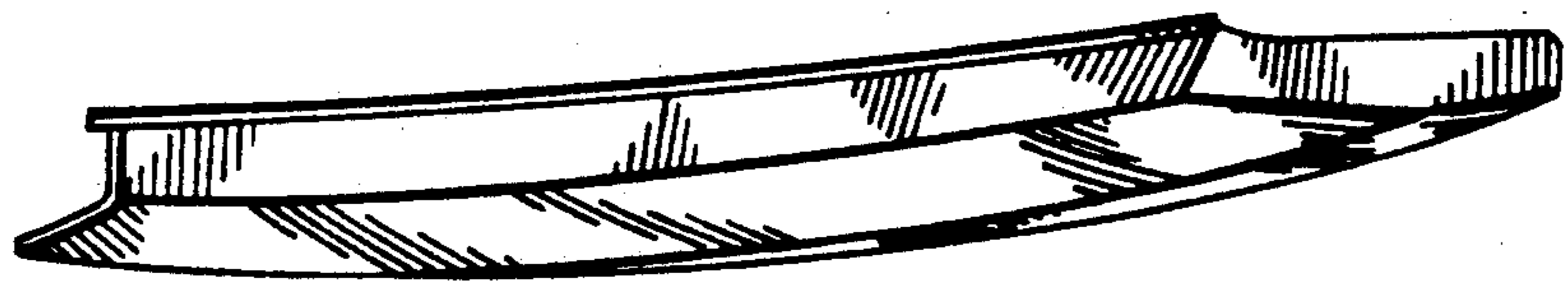
## DESCRIPTION

- FIG. 1 is a rear perspective view of a side panel, showing our new design, the broken line showing of the mower is for illustrative purposes only, and forms no part of the claimed design;
- FIG. 2 is a left side elevational view thereof, the other side being plain and unornamented;
- FIG. 3 is a front elevational view thereof;
- FIG. 4 is a top plan view thereof, taken in the direction of line 4—4 of FIG. 2;
- FIG. 5 is a left side perspective view thereof;
- FIG. 6 is a rear perspective view of a second embodiment of the side panel;
- FIG. 7 is a right side perspective view of FIG. 6;
- FIG. 8 is a right side elevational view of FIG. 6, the other side being plain and unornamented;
- FIG. 9 is a top plan view of FIG. 6; and,
- FIG. 10 is a front elevational view of FIG. 6.

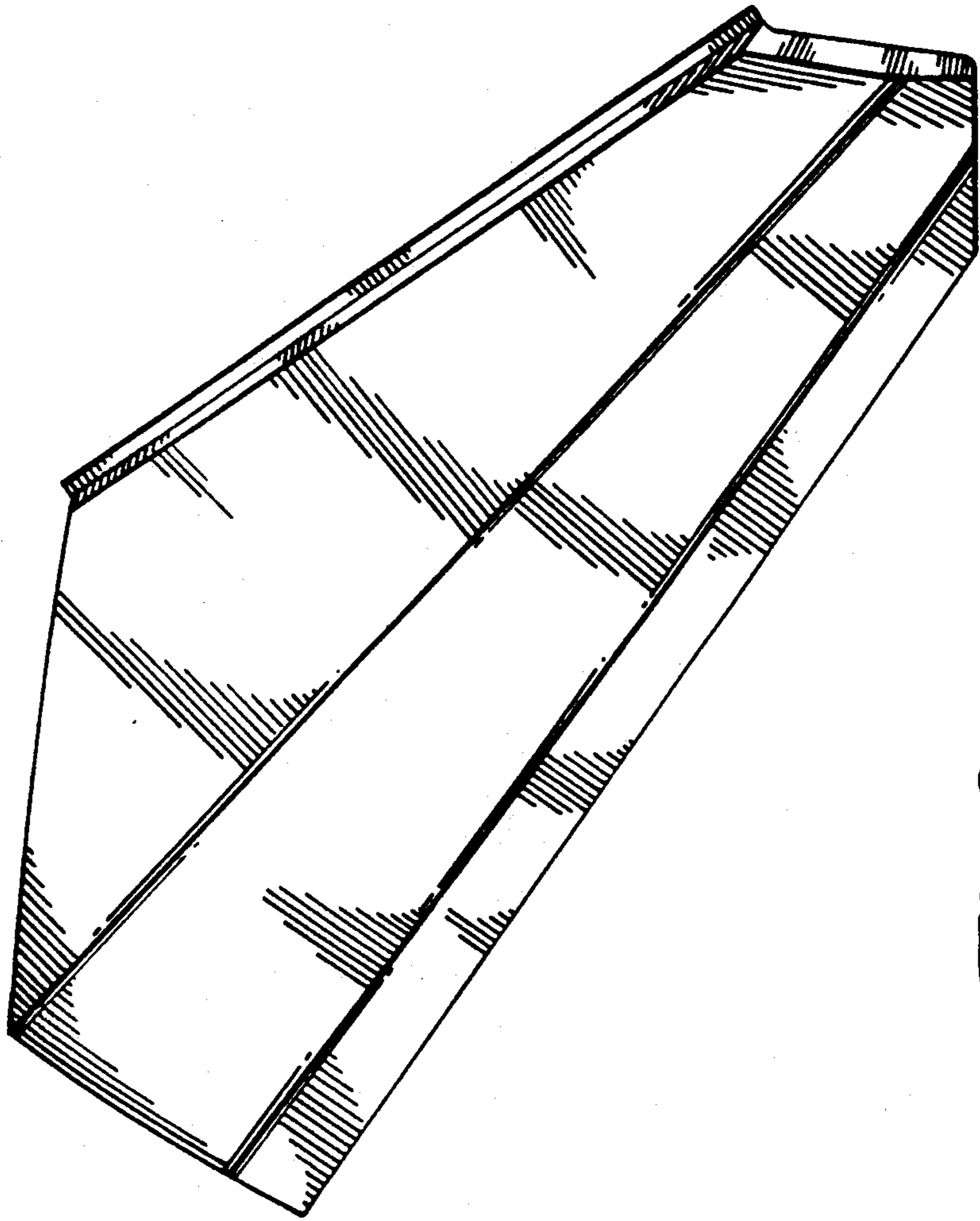
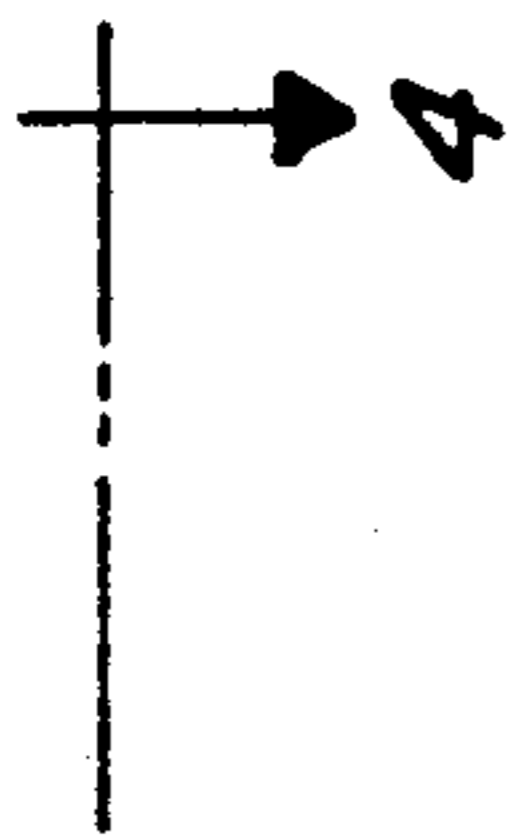




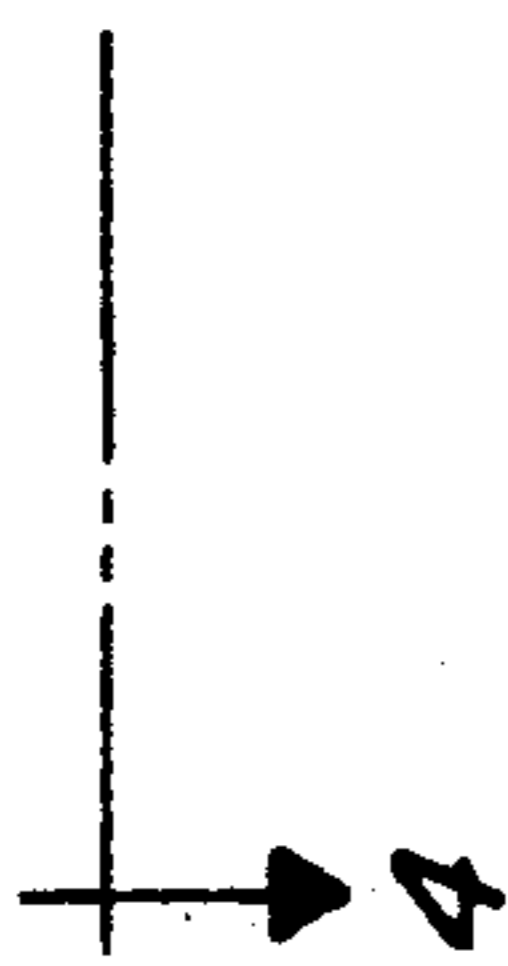
**Fig. 1**



**Fig. 3**



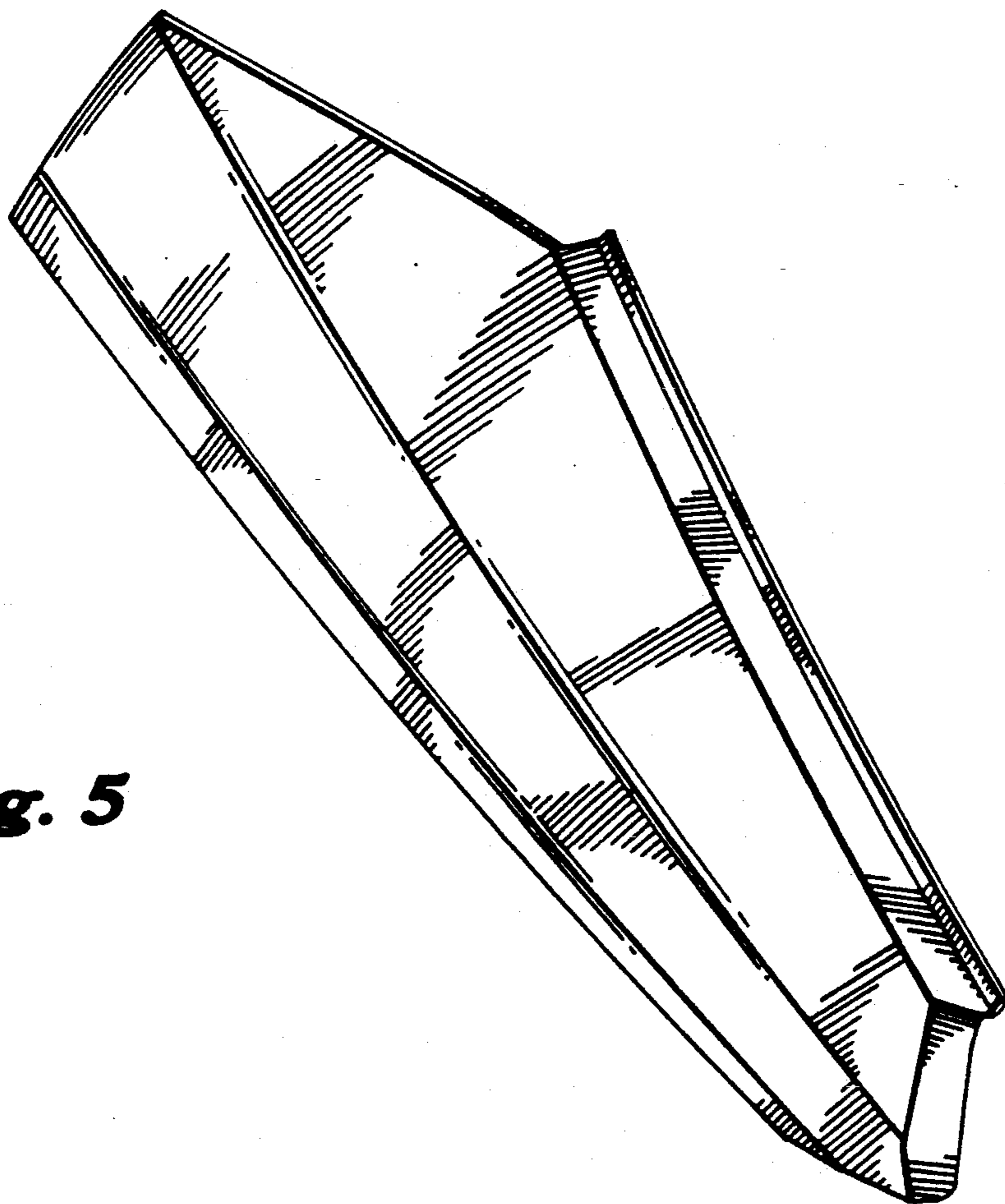
**Fig. 2**

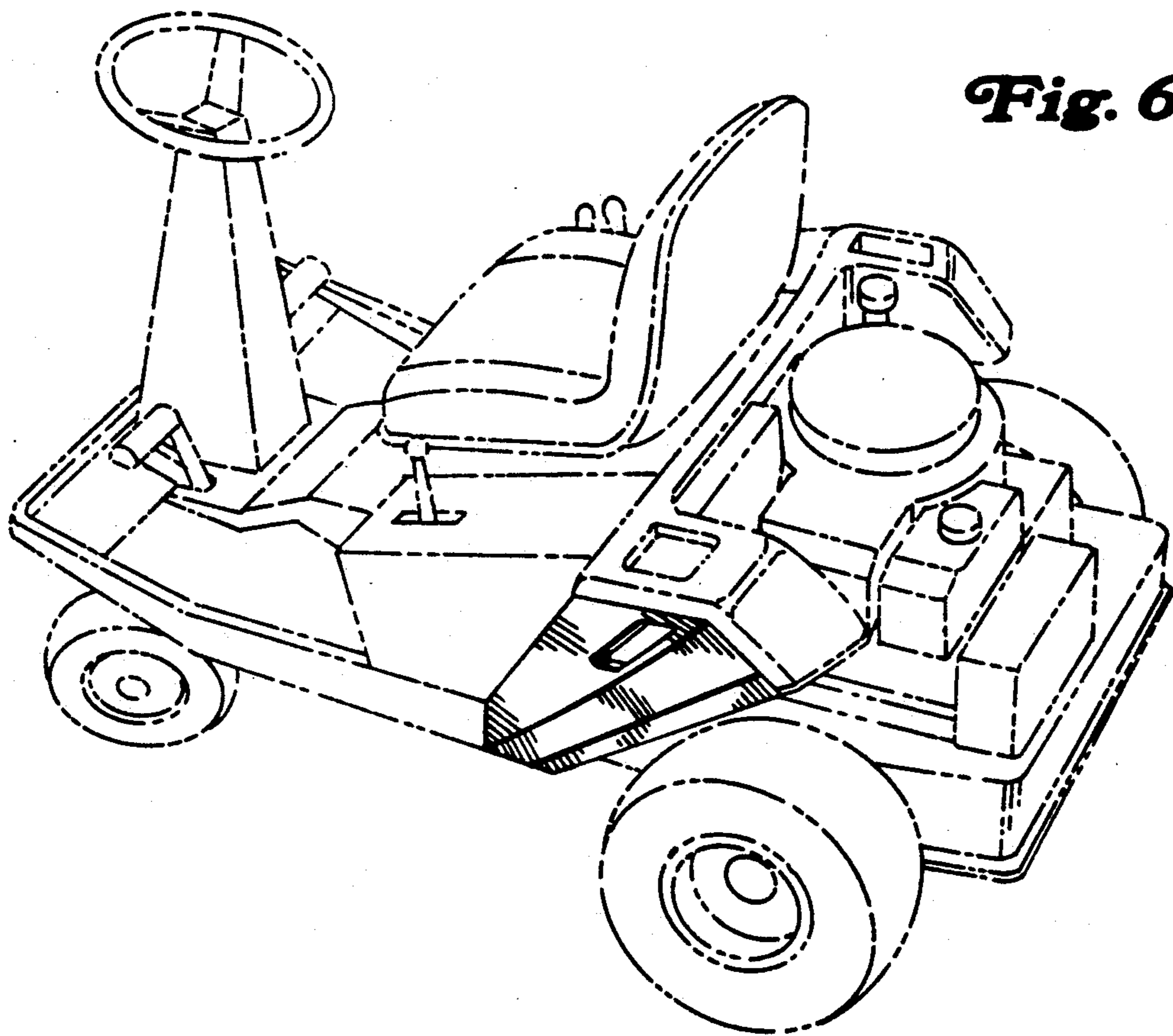


**Fig. 4**

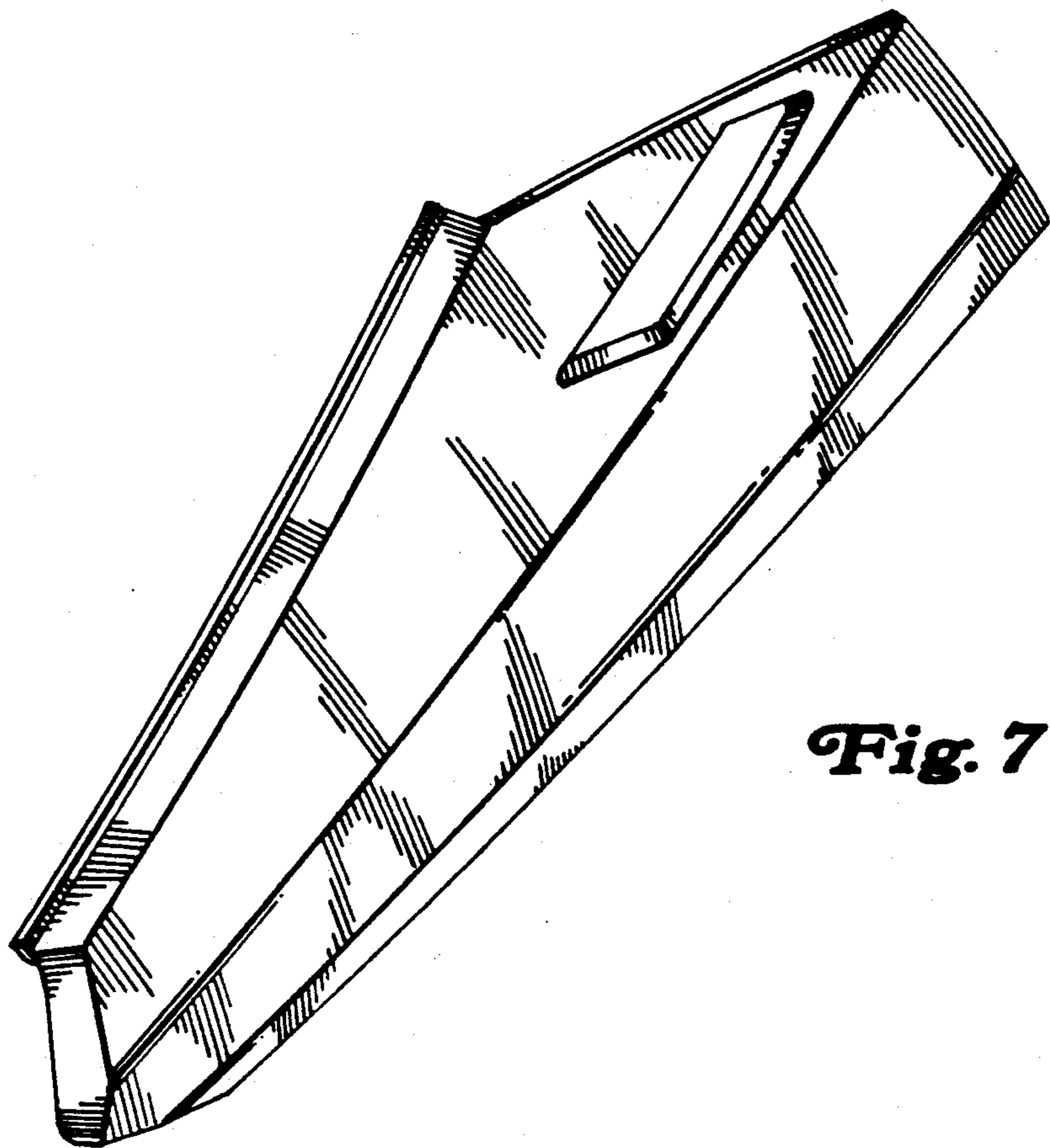


**Fig. 5**



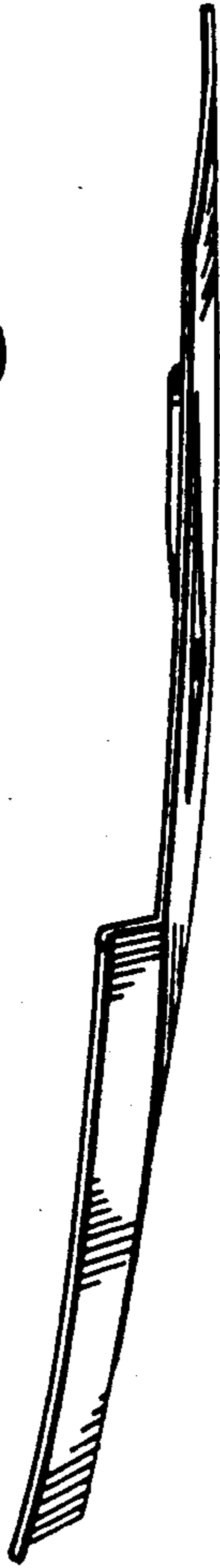


**Fig. 6**

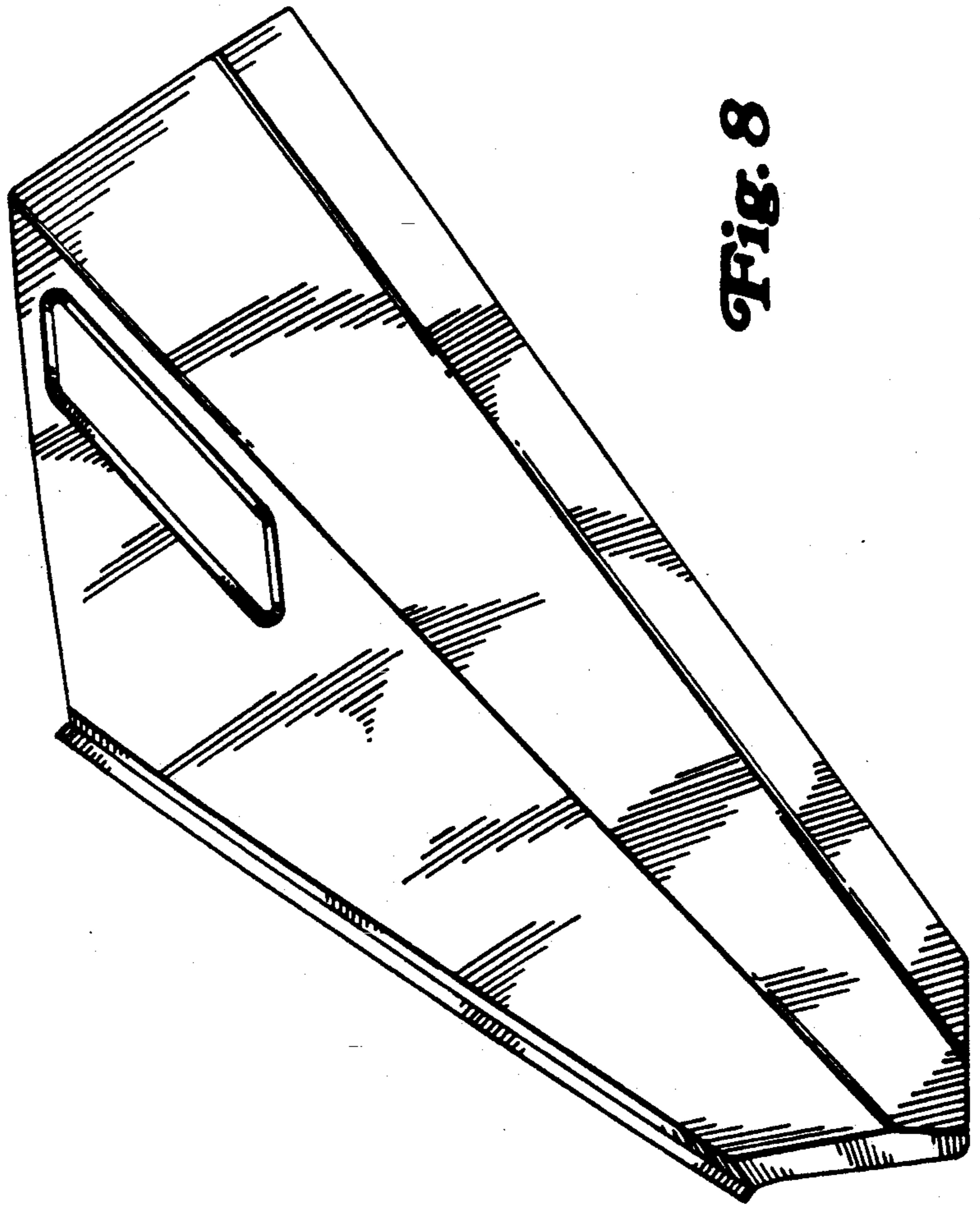


**Fig. 7**

**Fig. 9**



**Fig. 8**



**Fig. 10**

