



US00D338895S

# United States Patent [19] Sale

[11] Patent Number: **Des. 338,895**

[45] Date of Patent: **\*\* Aug. 31, 1993**

[54] **GARDEN SPREADER**

[75] Inventor: **G. Richard Sale, Islington, Canada**

[73] Assignee: **Erie Industries (1987) Inc., St. Thomas, Canada**

[\*\*] Term: **14 Years**

[21] Appl. No.: **653,442**

[22] Filed: **Feb. 5, 1991**

D. 328,603 8/1992 Piltz et al. .... D15/10  
 2,144,142 1/1939 Buehler .  
 2,498,833 2/1950 Weyer .  
 2,670,879 3/1954 Stach ..... 222/614  
 2,980,431 4/1961 Van Der Lely .  
 3,070,375 12/1962 Donna .  
 3,164,301 1/1965 Hargreaves et al. .  
 4,162,752 7/1979 Satterfield .  
 4,304,344 12/1981 Vogel et al. .... 222/614  
 4,635,818 1/1987 Glass ..... 239/685

[30] **Foreign Application Priority Data**  
 Sep. 7, 1990 [CA] Canada ..... 7099011

[52] U.S. Cl. .... **D15/13; D8/1**

[58] Field of Search ..... **D15/10, 13; D8/1, 2; 222/162, 174, 614, 624; 239/681-689**

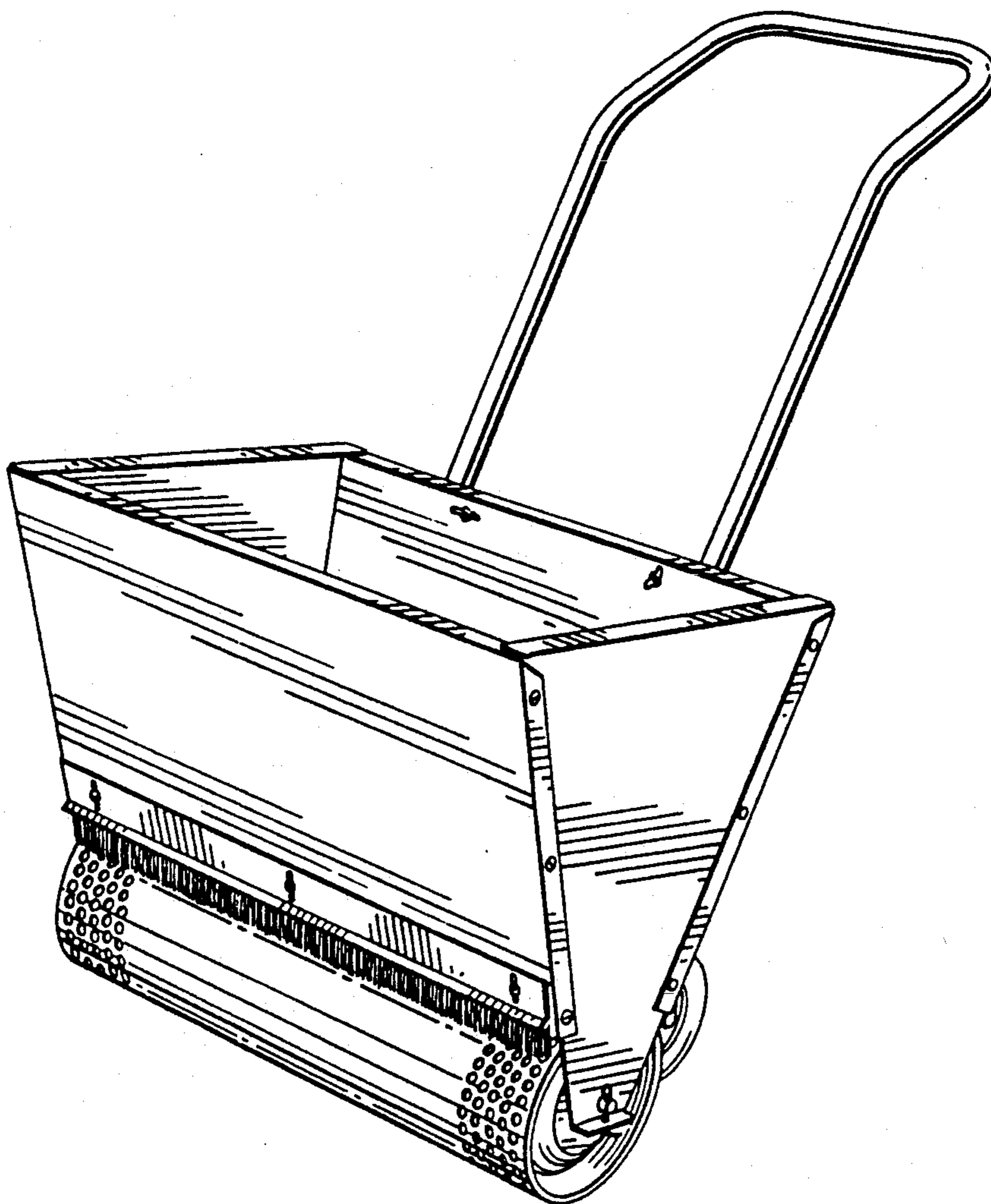
*Primary Examiner*—Bernard Ansher  
*Assistant Examiner*—Sandra Morris  
*Attorney, Agent, or Firm*—Moss, Barrigar & Oyen

[56] **References Cited**  
**U.S. PATENT DOCUMENTS**  
 D. 323,831 2/1992 Hollis ..... D15/10

[57] **CLAIM**  
 The ornamental design for a garden spreader, as shown and described.

### DESCRIPTION

FIG. 1 is a top, right, front perspective view of a garden spreader, showing my new design; and, FIG. 2 is a bottom, left, rear perspective view thereof.



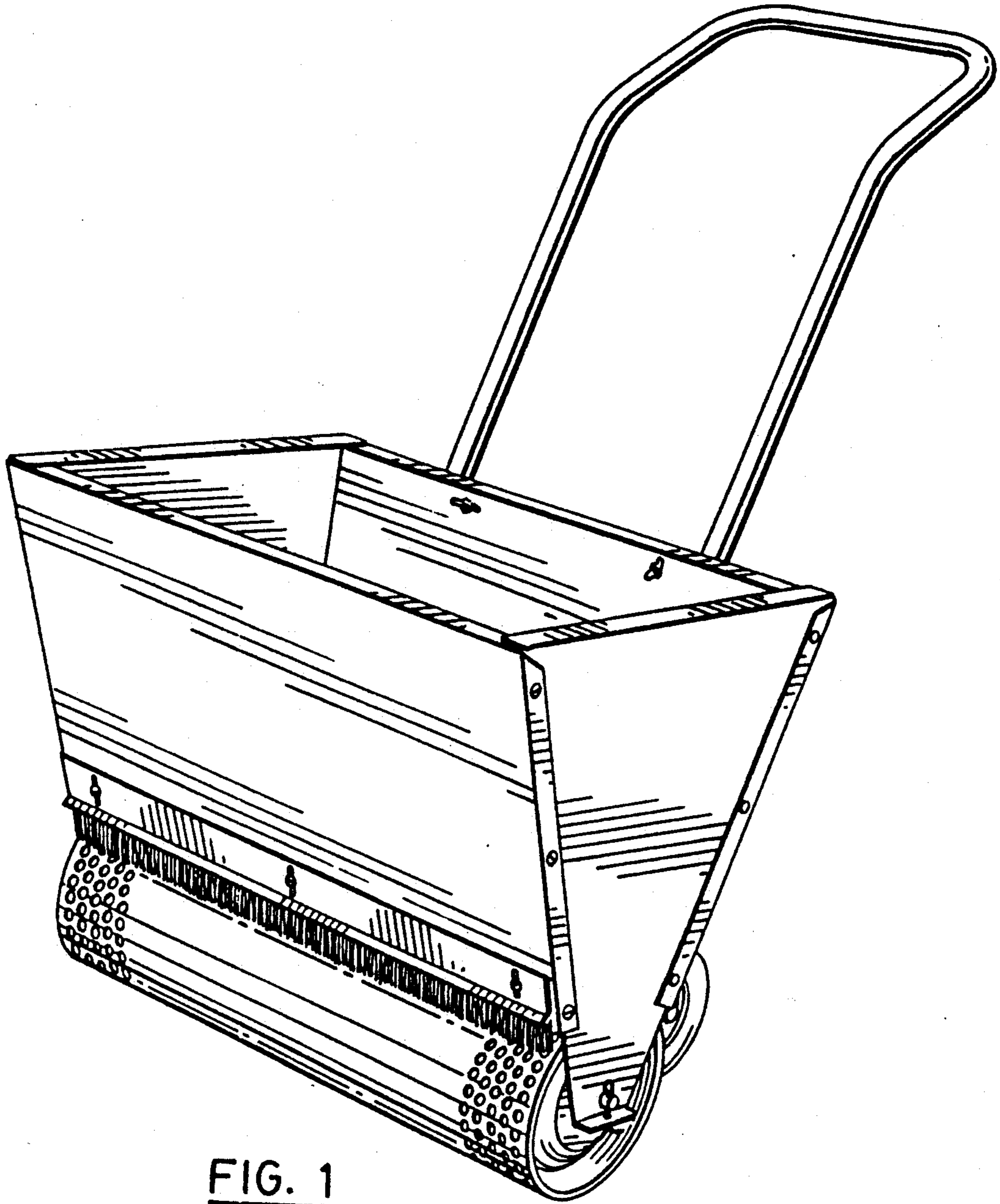


FIG. 1

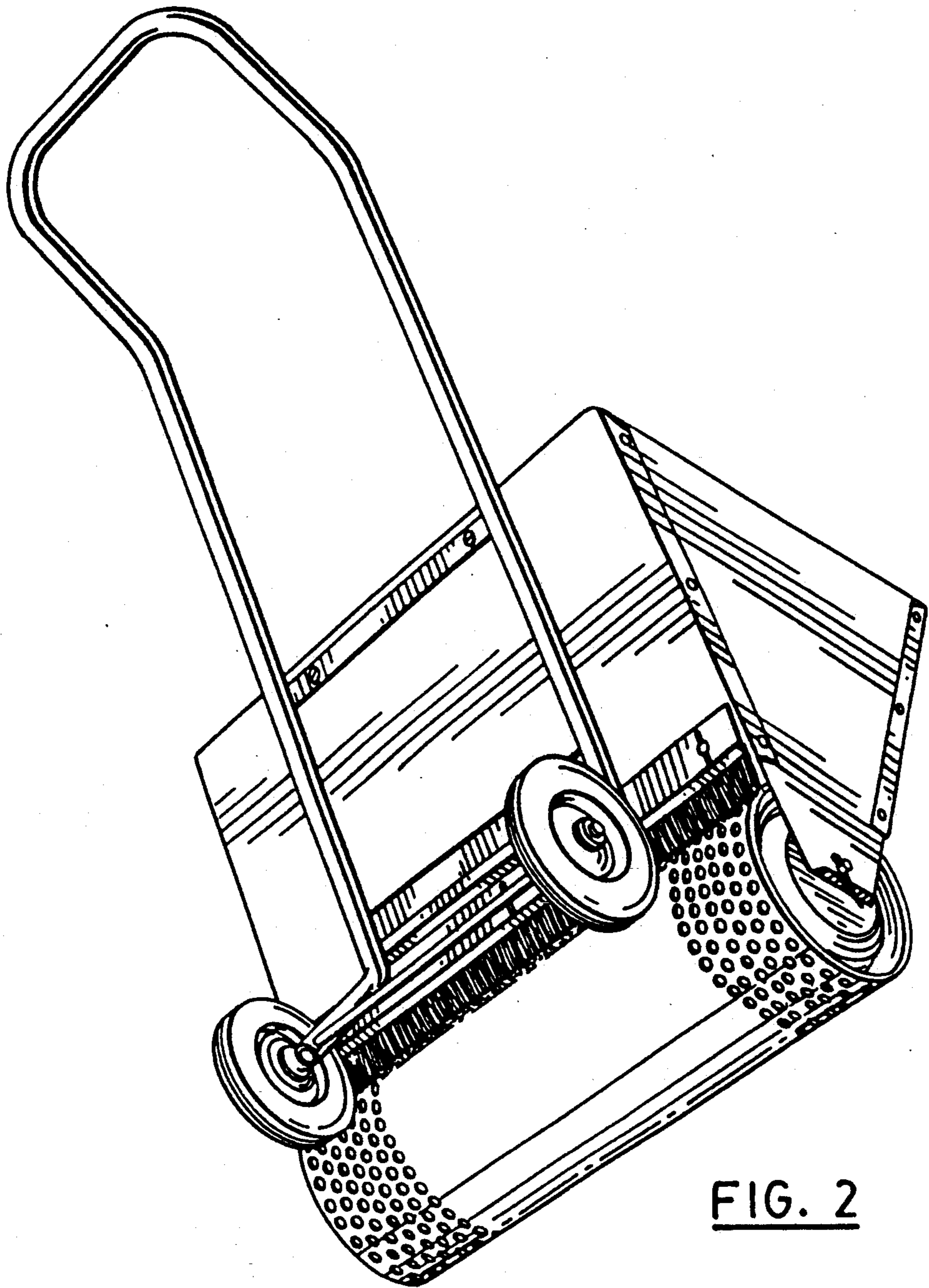


FIG. 2