



US00D338893S

United States Patent [19]

[11] Patent Number: **Des. 338,893**

Simpson

[45] Date of Patent: **** Aug. 31, 1993**

[54] **MATERIAL SPREADER**

[75] Inventor: **Dennis L. Simpson, Marysville, Ohio**

[73] Assignee: **White Castle System, Inc., Columbus, Ohio**

[**] Term: **14 Years**

[21] Appl. No.: **655,101**

[22] Filed: **Feb. 14, 1991**

[52] U.S. Cl. **D15/13; D15/28**

[58] Field of Search **D15/13, 28, 32; 222/162, 174, 614, 624; 239/681-689**

3,580,426	3/1971	Manning	222/177
4,027,788	6/1977	Parker et al.	222/614
4,180,184	12/1979	Florer et al.	222/41
4,273,264	6/1981	Legg	222/162
4,635,818	1/1987	Glass	239/685
4,671,434	6/1987	Johnston et al.	239/685
4,798,325	1/1989	Block	239/684

Primary Examiner—Bernard Ansher
Assistant Examiner—Sandra Morris
Attorney, Agent, or Firm—Porter, Wright, Morris & Arthur

[56] **References Cited**

U.S. PATENT DOCUMENTS

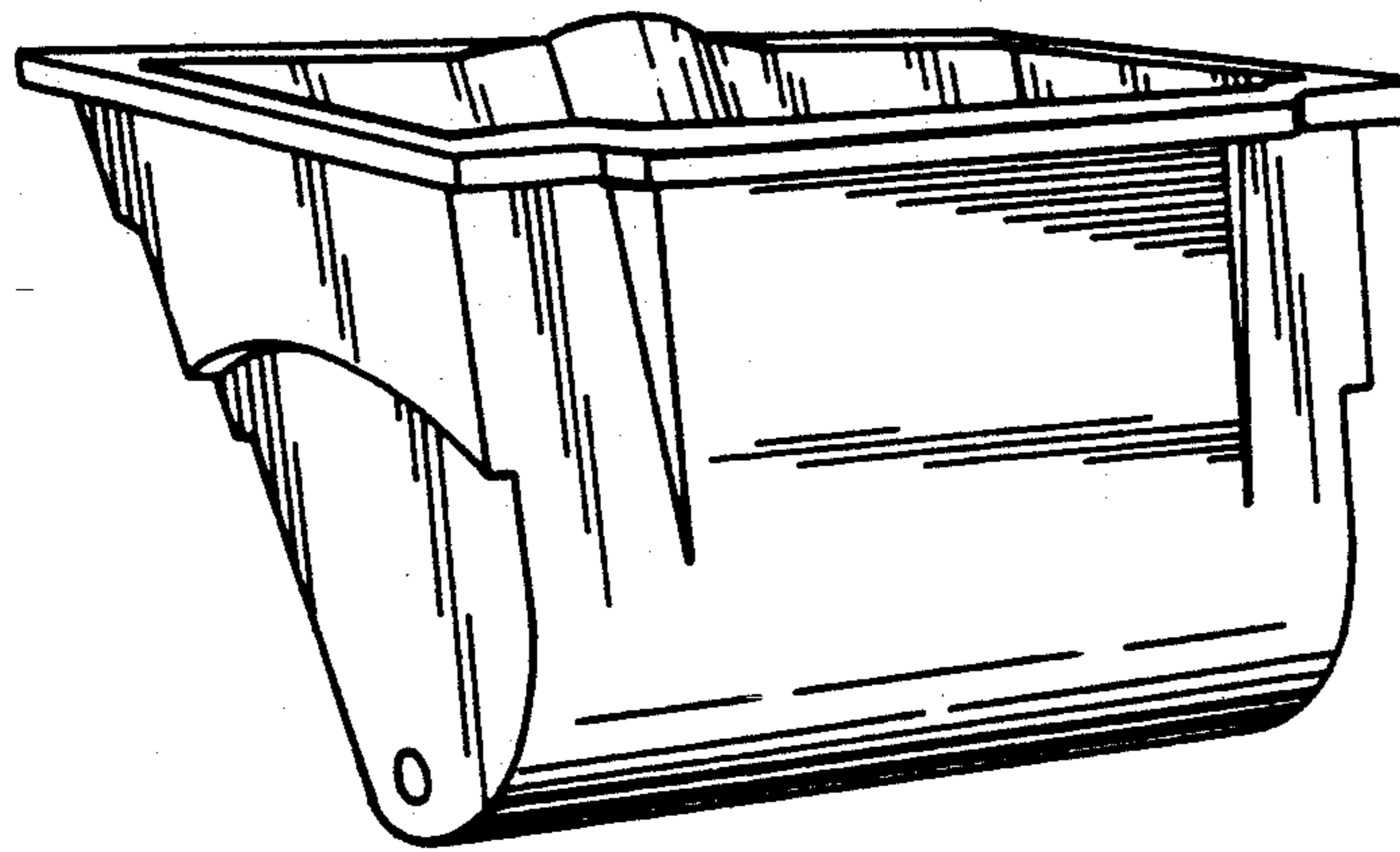
D. 240,152	6/1976	Raffler et al.	D15/13
2,670,879	3/1954	Stach	222/614
2,761,589	9/1956	Stach	222/624
3,002,656	10/1961	Garber	222/43
3,180,530	4/1965	Peoples et al.	222/177
3,187,952	6/1965	Santarelli	222/129
3,239,107	3/1966	West et al.	222/177
3,451,595	6/1969	Dexter	222/177

[57] **CLAIM**

The ornamental design for a material spreader hopper, as shown and described.

DESCRIPTION

FIG. 1 is a perspective view of a material spreader hopper showing my new design;
FIG. 2 is a front elevational view thereof;
FIG. 3 is a top plan view thereof;
FIG. 4 is a side elevational view thereof;
FIG. 5 is a rear elevational view thereof; and,
FIG. 6 is a bottom plan view thereof.



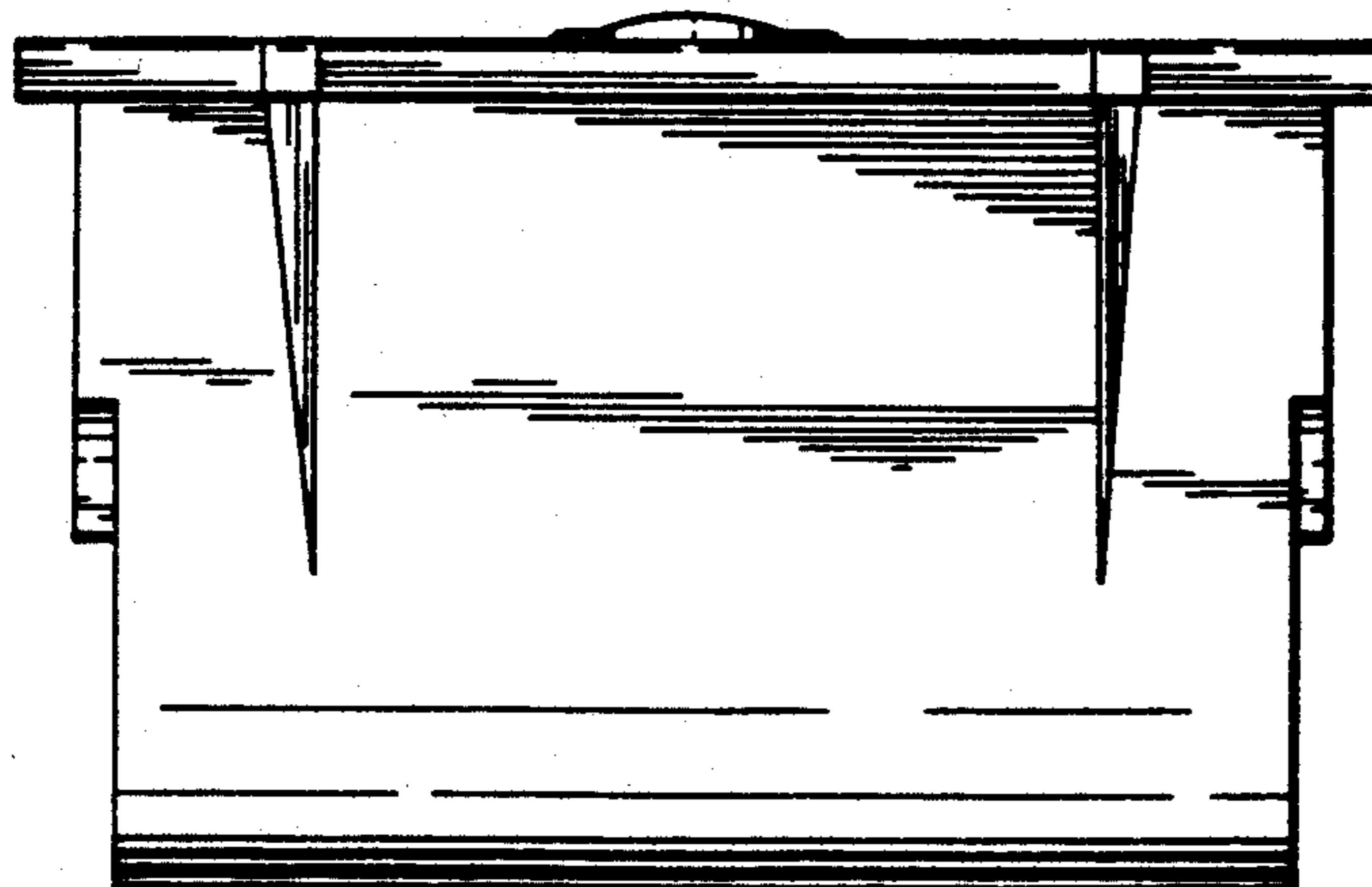
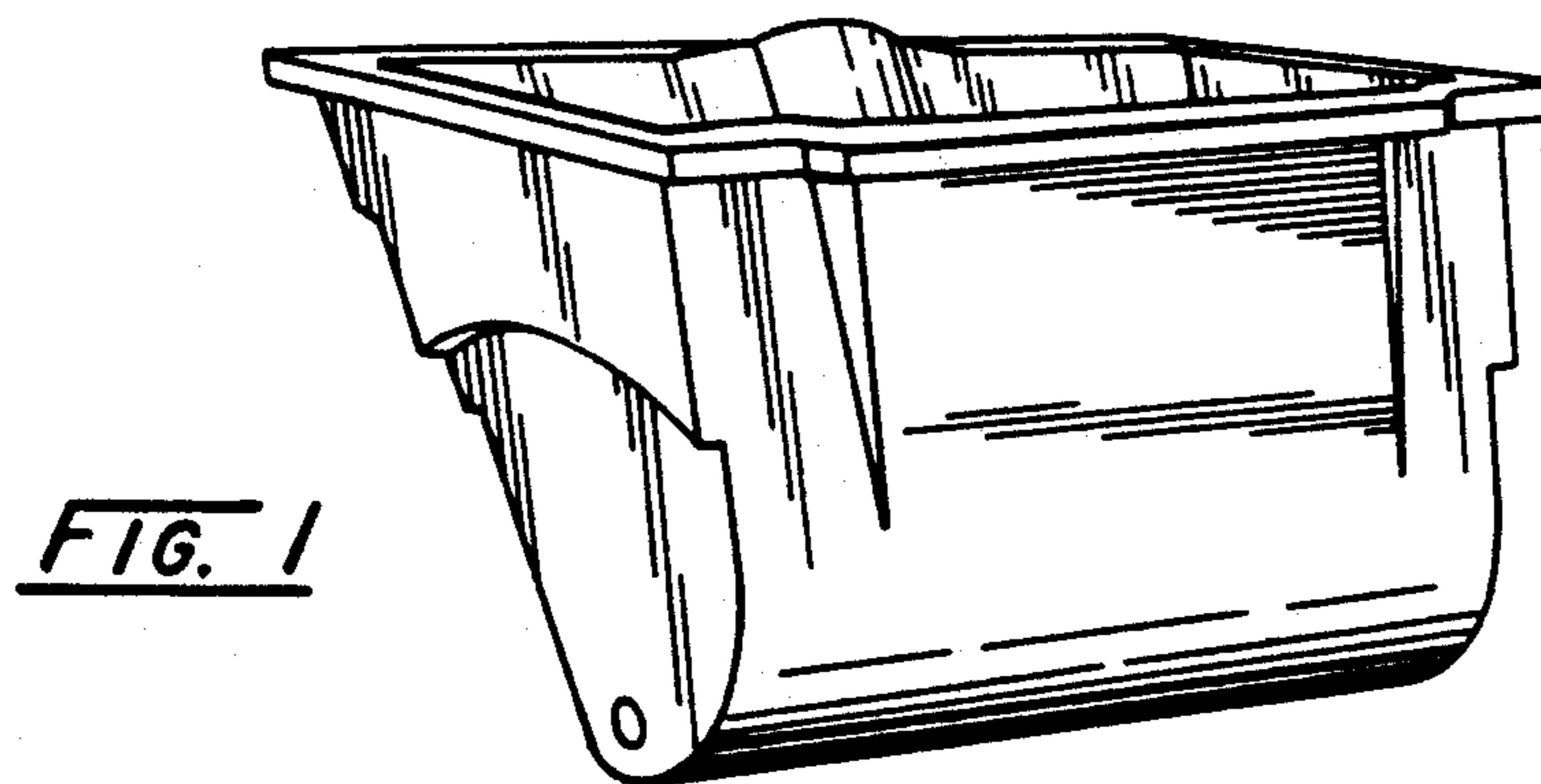


FIG. 2

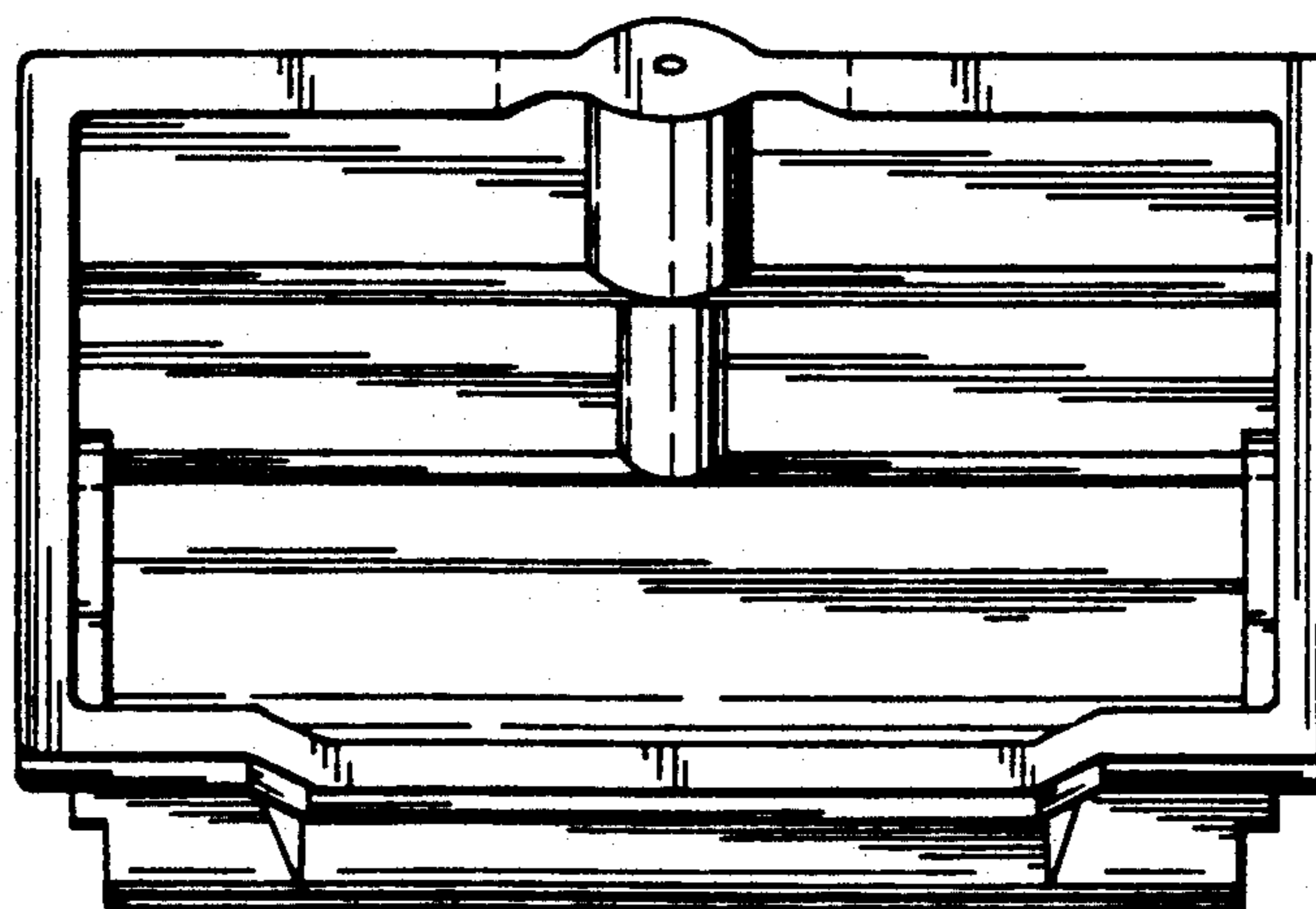


FIG. 3

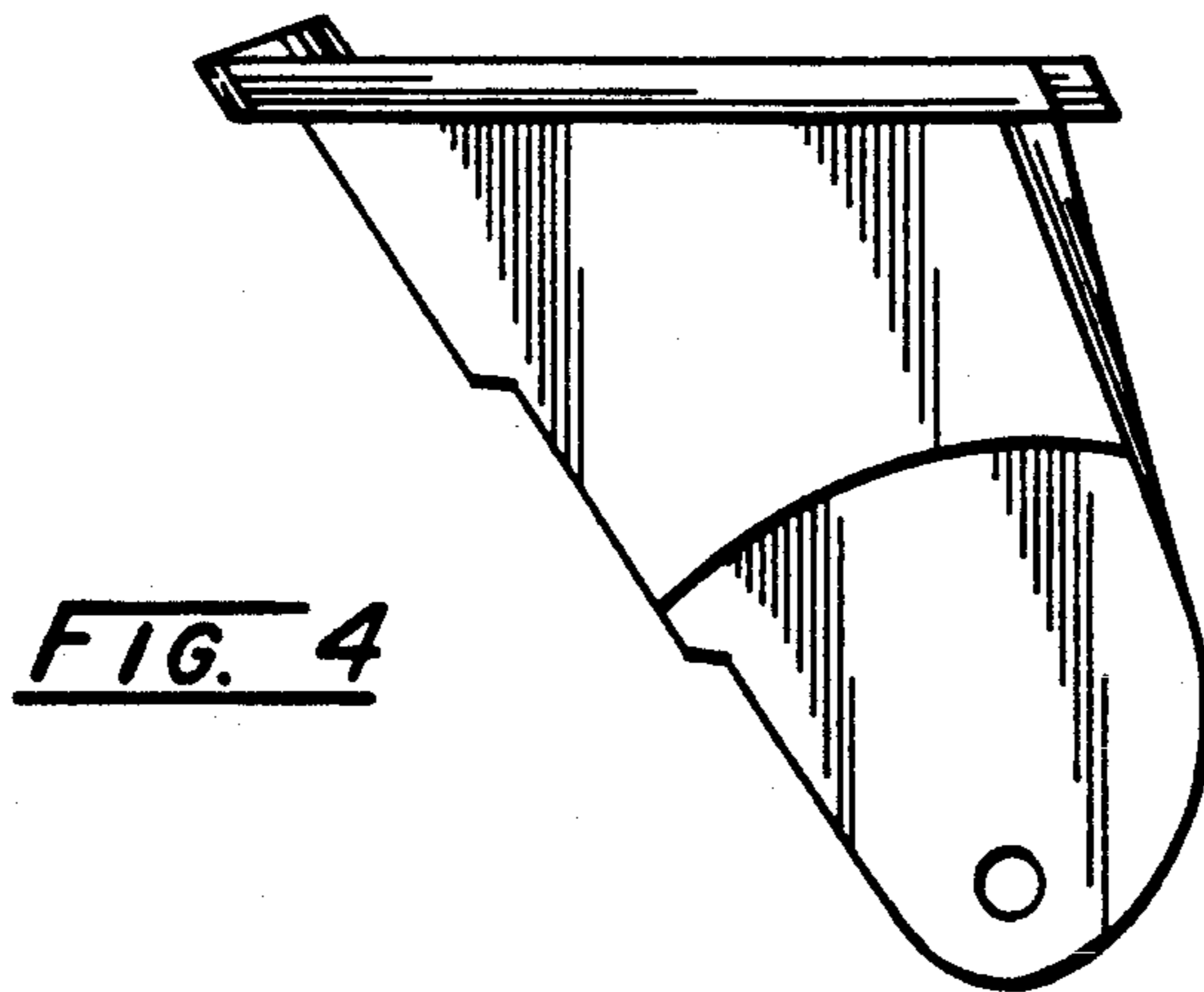


FIG. 4

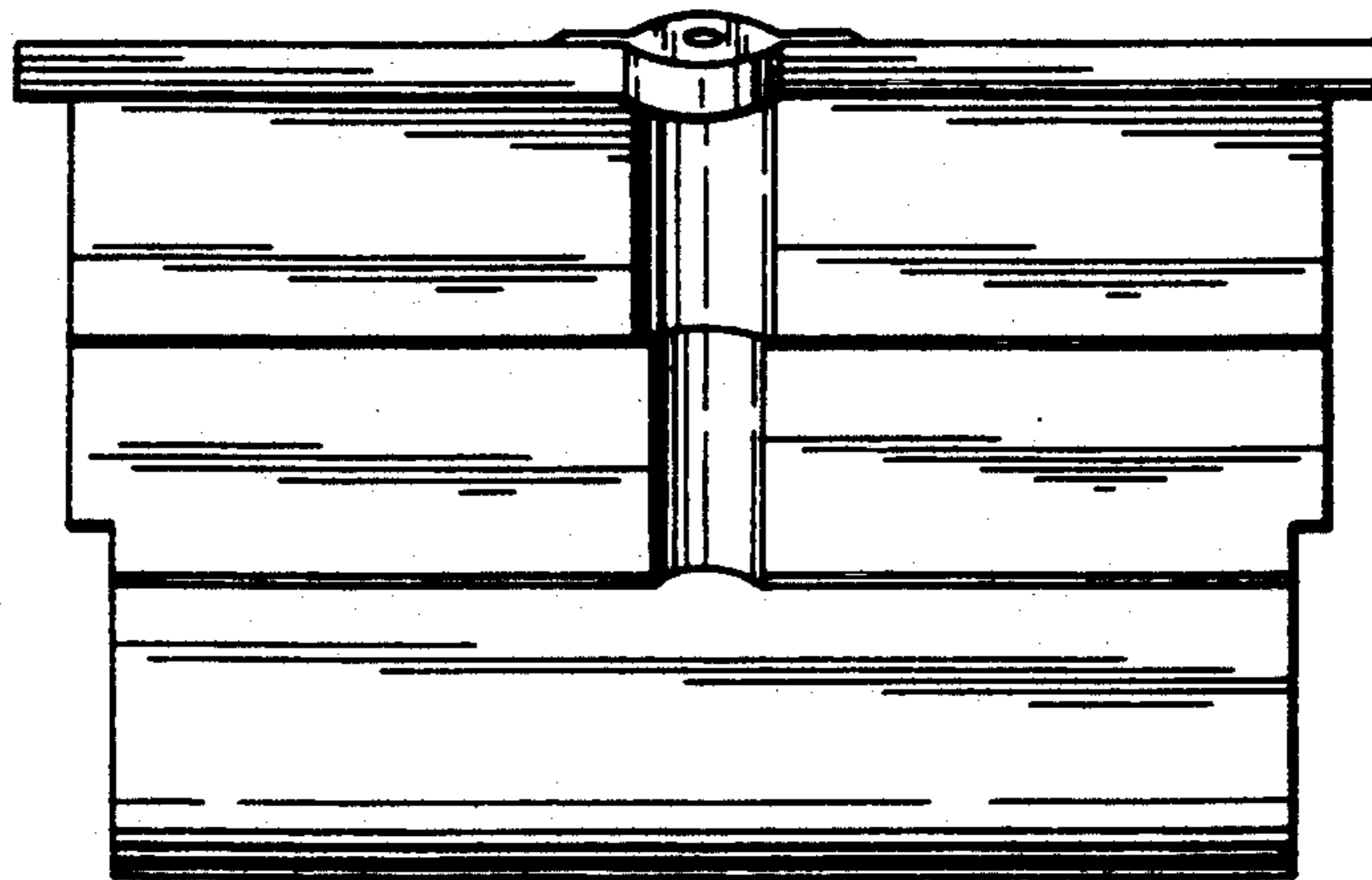


FIG. 5

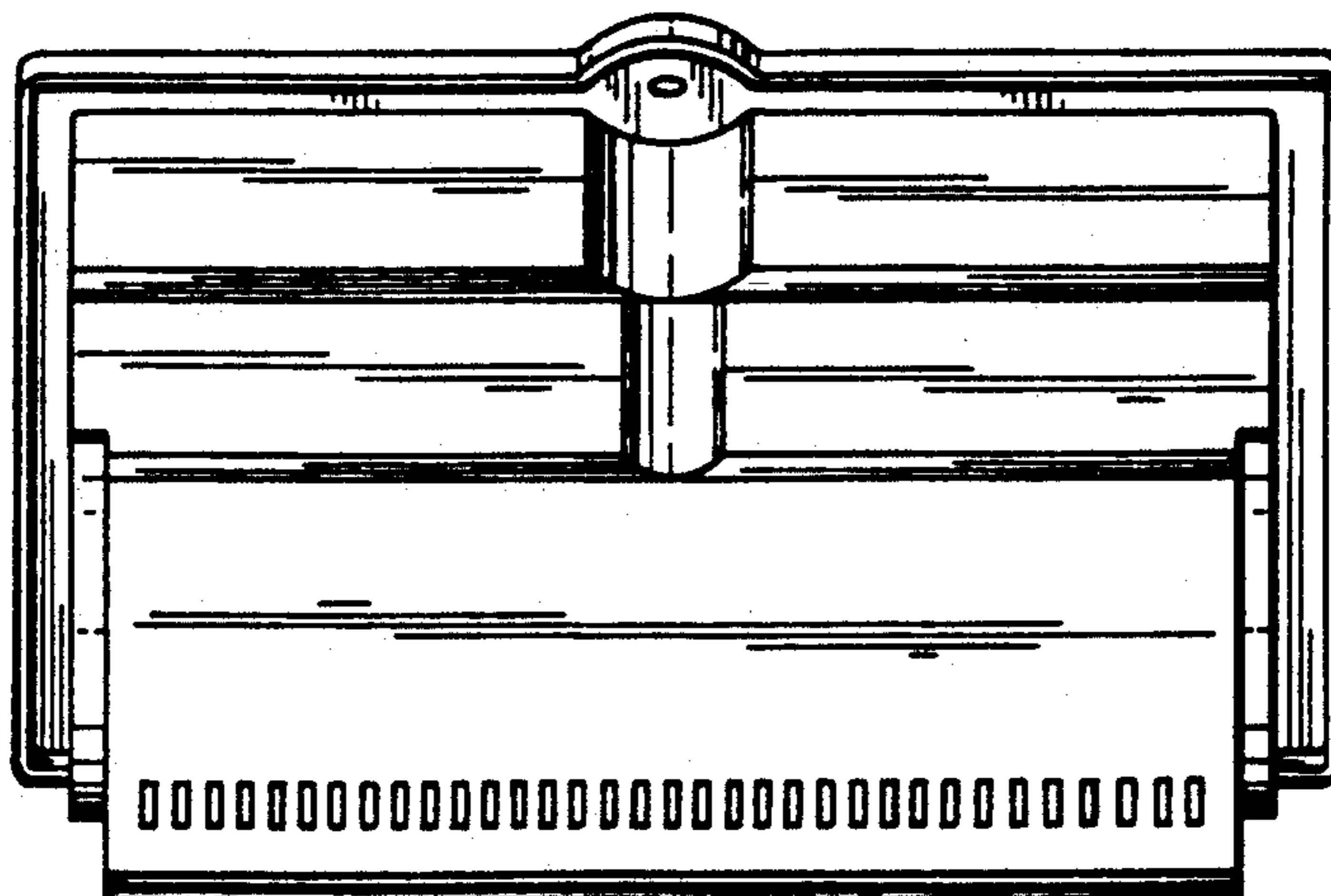


FIG. 6