



US00D338892S

# United States Patent [19]

Crawford

[11] Patent Number: **Des. 338,892**

[45] Date of Patent: **\*\* Aug. 31, 1993**

[54] **GRAIN DRYER**

[76] Inventor: **Michael A. Crawford, R.R. 2, Box 57, Manteno, Ill. 60950**

[\*\*] Term: **14 Years**

[21] Appl. No.: **789,150**

[22] Filed: **Nov. 6, 1991**

[52] U.S. Cl. .... **D15/10**

[58] Field of Search ..... **D5/10; 34/90, 92, 179, 34/201; 56/12.2, 16.5**

4,257,163	3/1981	Carroll et al. ....	34/179
4,330,946	5/1982	Courneya .....	34/92
4,509,273	4/1985	Roisen .....	34/90
4,532,721	8/1985	Gordon .....	34/90

*Primary Examiner*—Bernard Ansher  
*Assistant Examiner*—Sandra Morris  
*Attorney, Agent, or Firm*—Terry M. Gernstein

## [57] CLAIM

The ornamental design for a grain dryer, as shown and described.

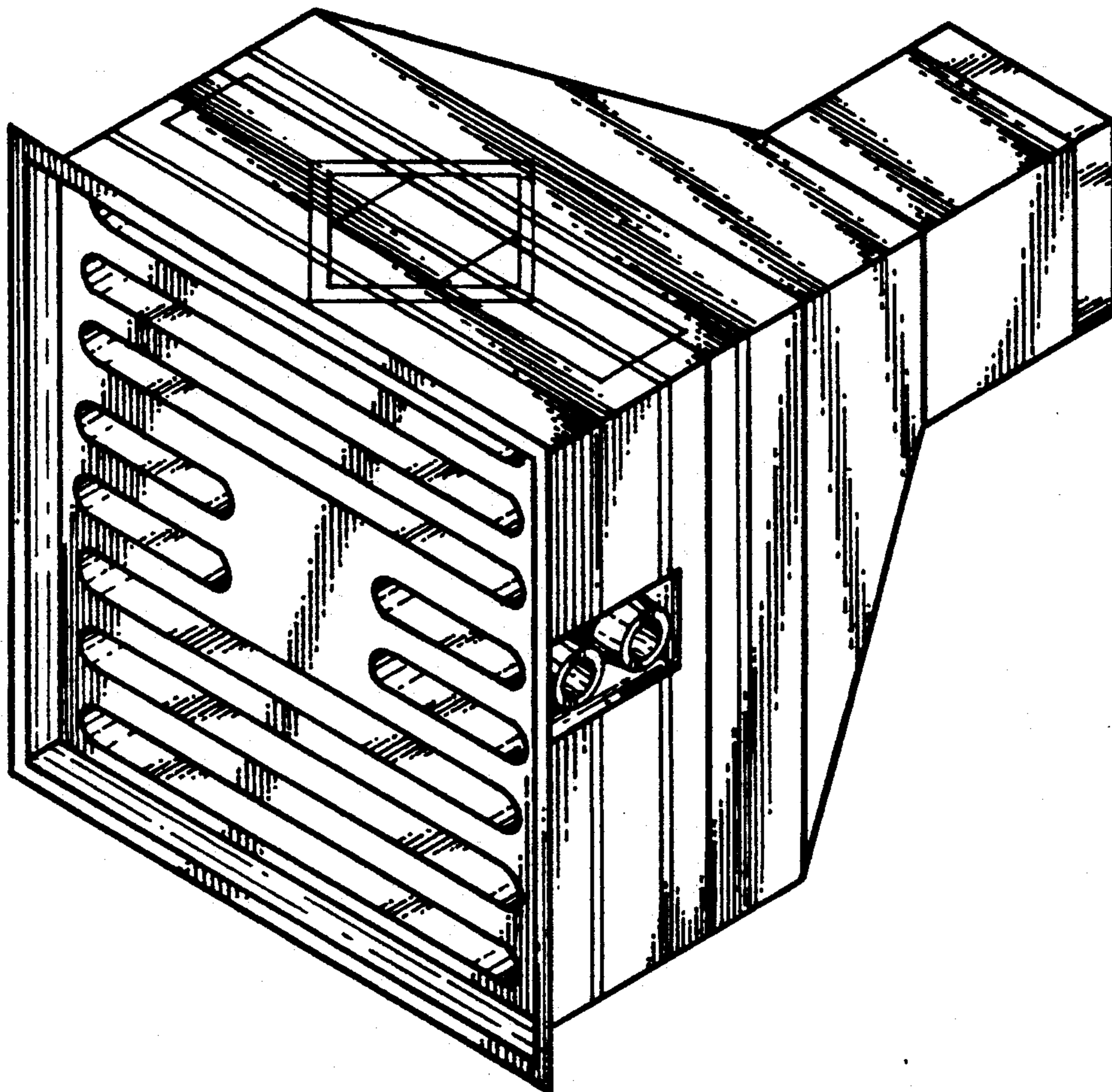
## [56] References Cited

### U.S. PATENT DOCUMENTS

D. 282,367	1/1986	Satake .....	D15/10
D. 306,597	3/1990	Vanden Bos .....	D15/10
D. 308,526	6/1990	Stalder et al. ....	D15/10
3,608,202	3/1969	Arndt et al. ....	34/179
4,010,552	3/1977	Peterson .....	34/179
4,085,520	4/1978	Lambert, Jr. ....	34/179
4,209,918	7/1980	Klein .....	34/90

## DESCRIPTION

FIG. 1 is a perspective view of the grain dryer embodying the design of the present invention; FIG. 2 is a front end elevational view thereof; FIG. 3 is a rear end elevational view thereof; FIG. 4 is a top view thereof, the bottom being a mirror image thereof; and, FIG. 5 is a side elevational view thereof, the side opposite being a mirror image thereof.



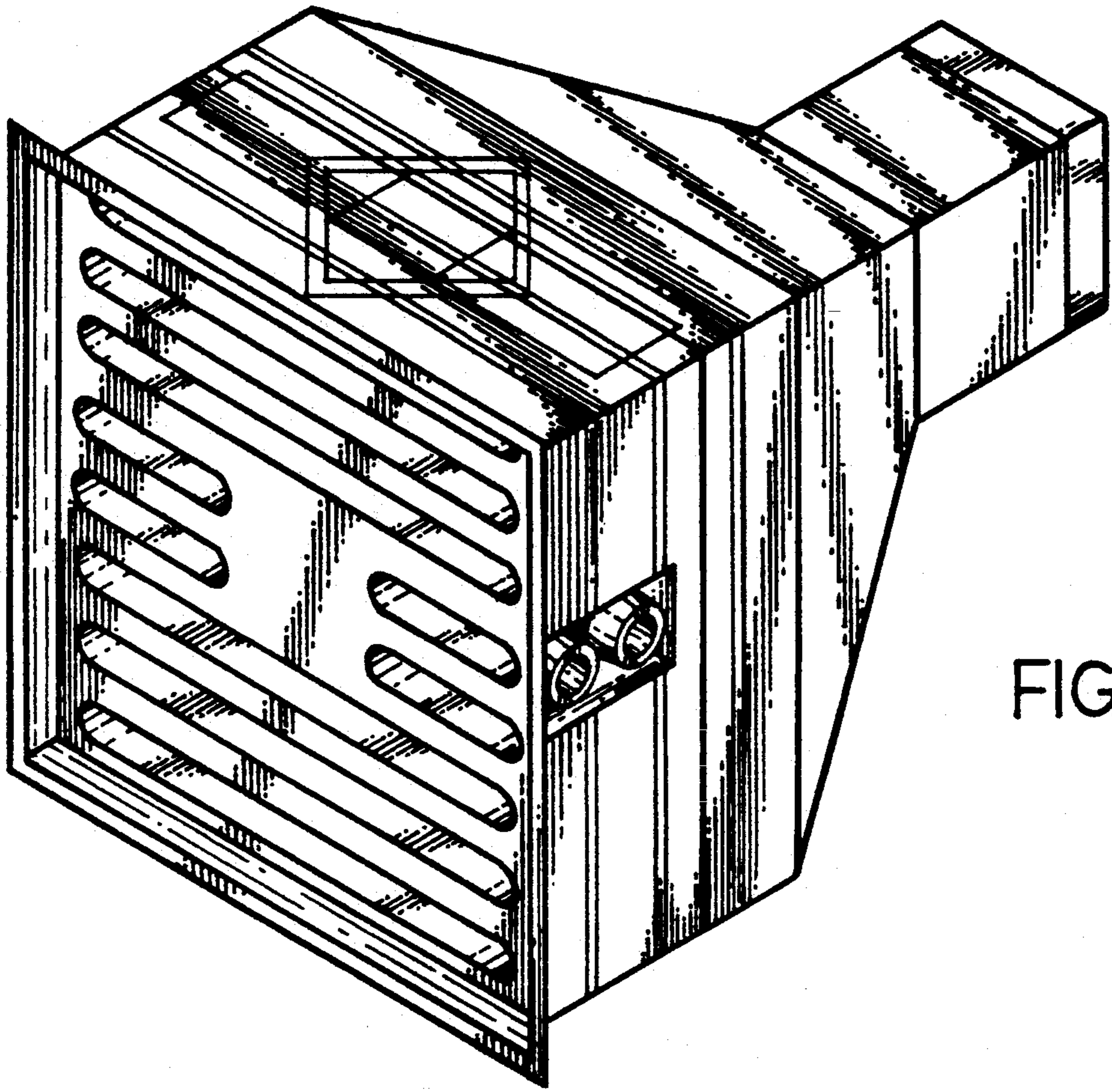


FIG. 1

FIG. 2

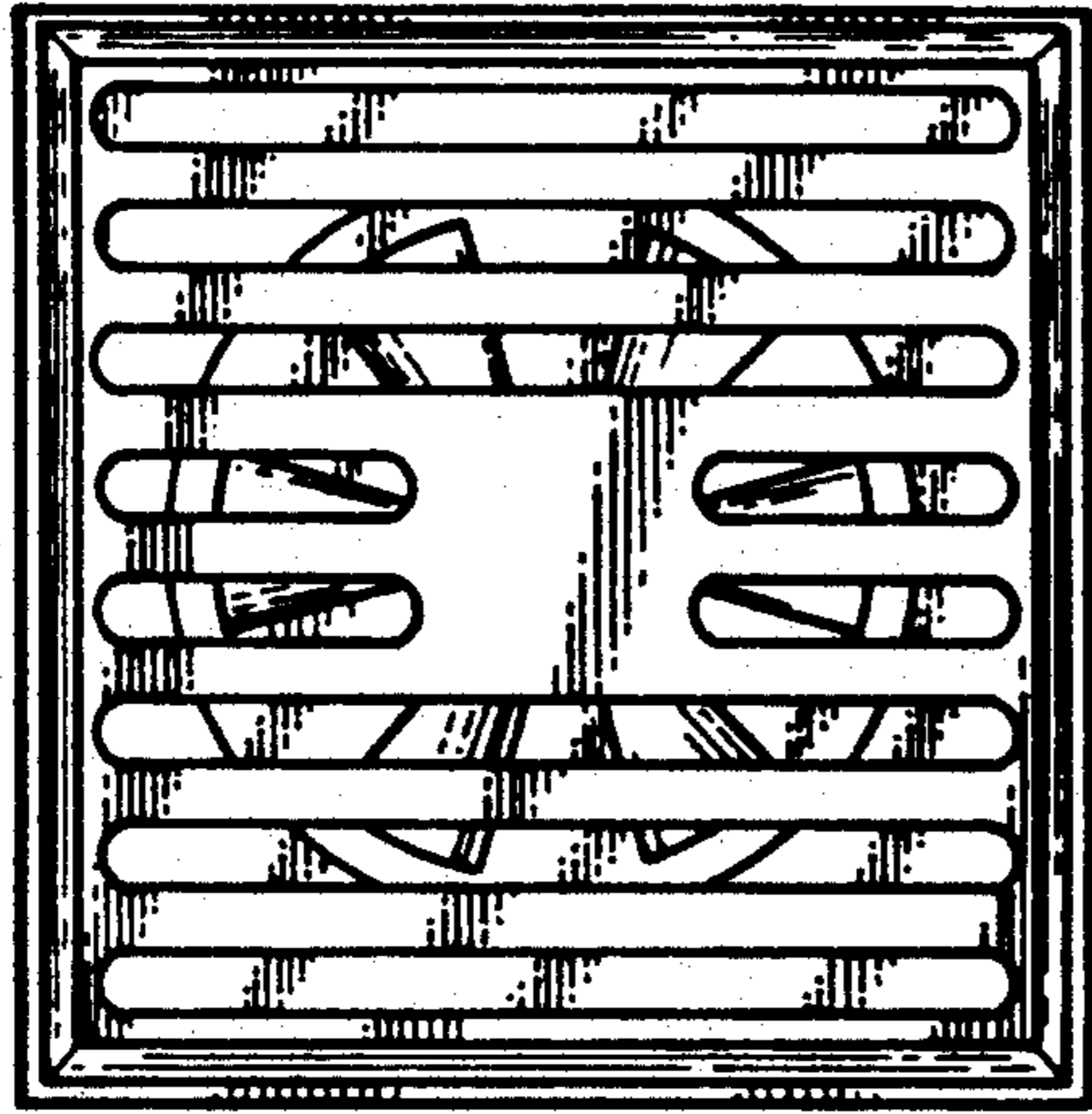


FIG. 3

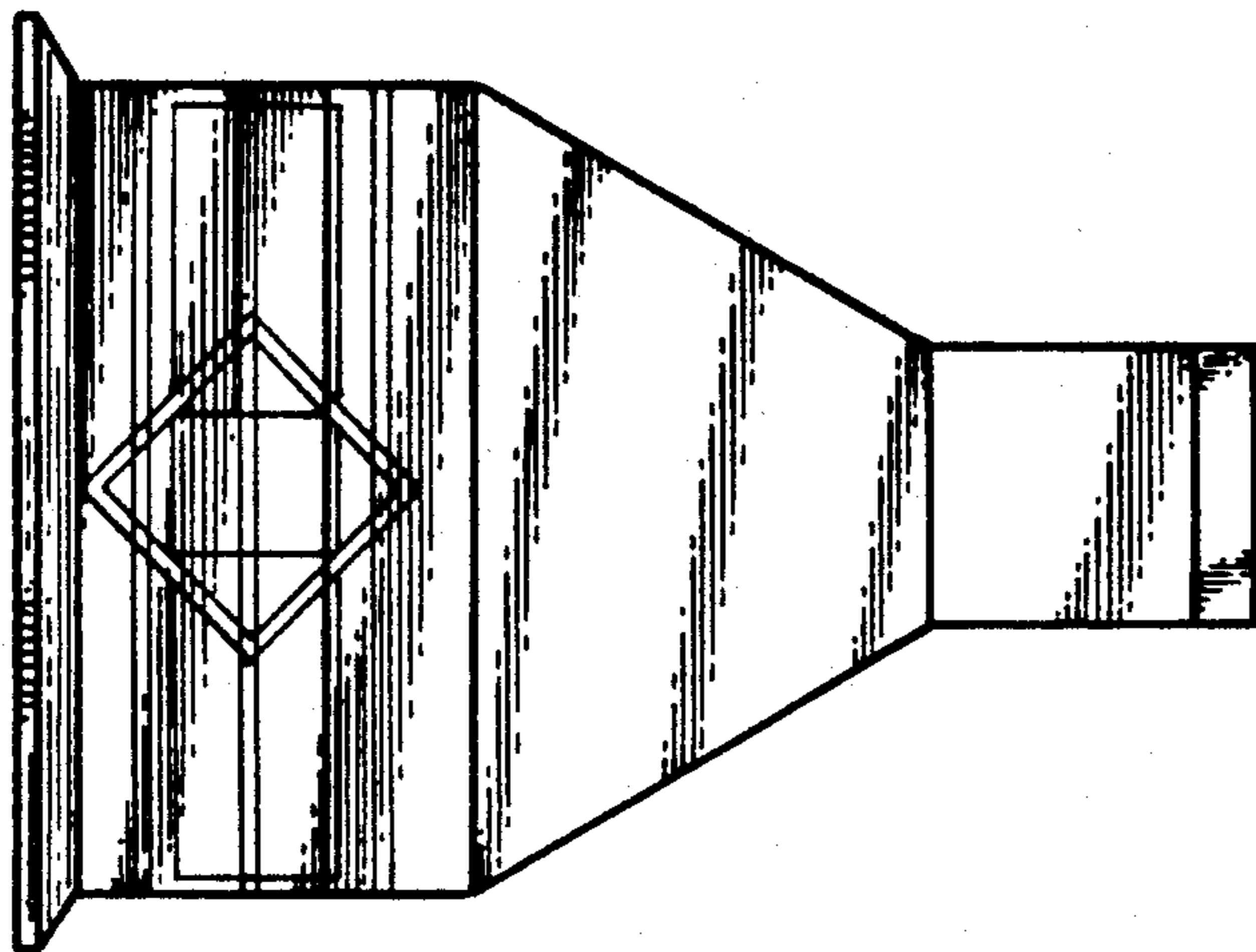
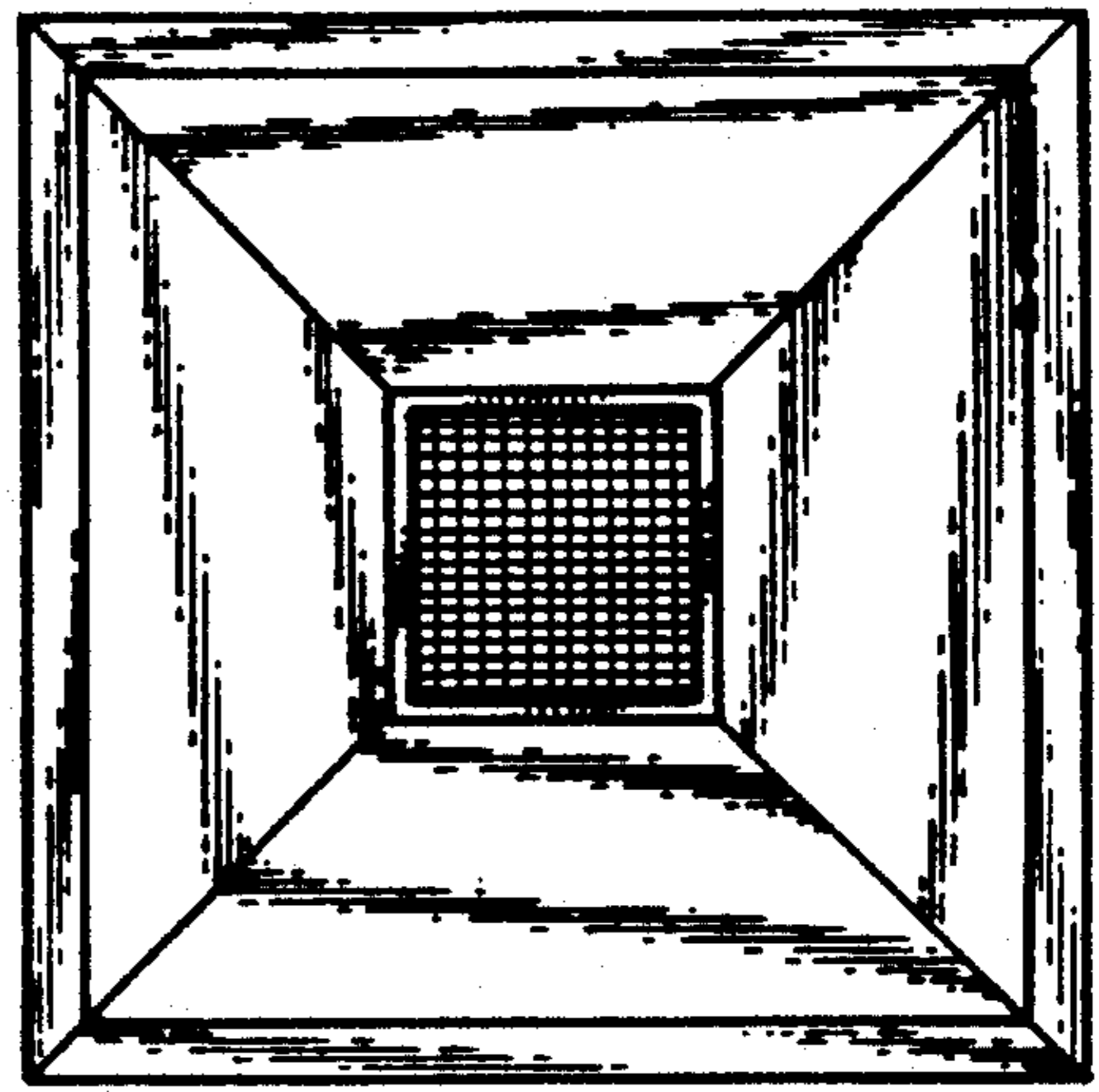


FIG. 4

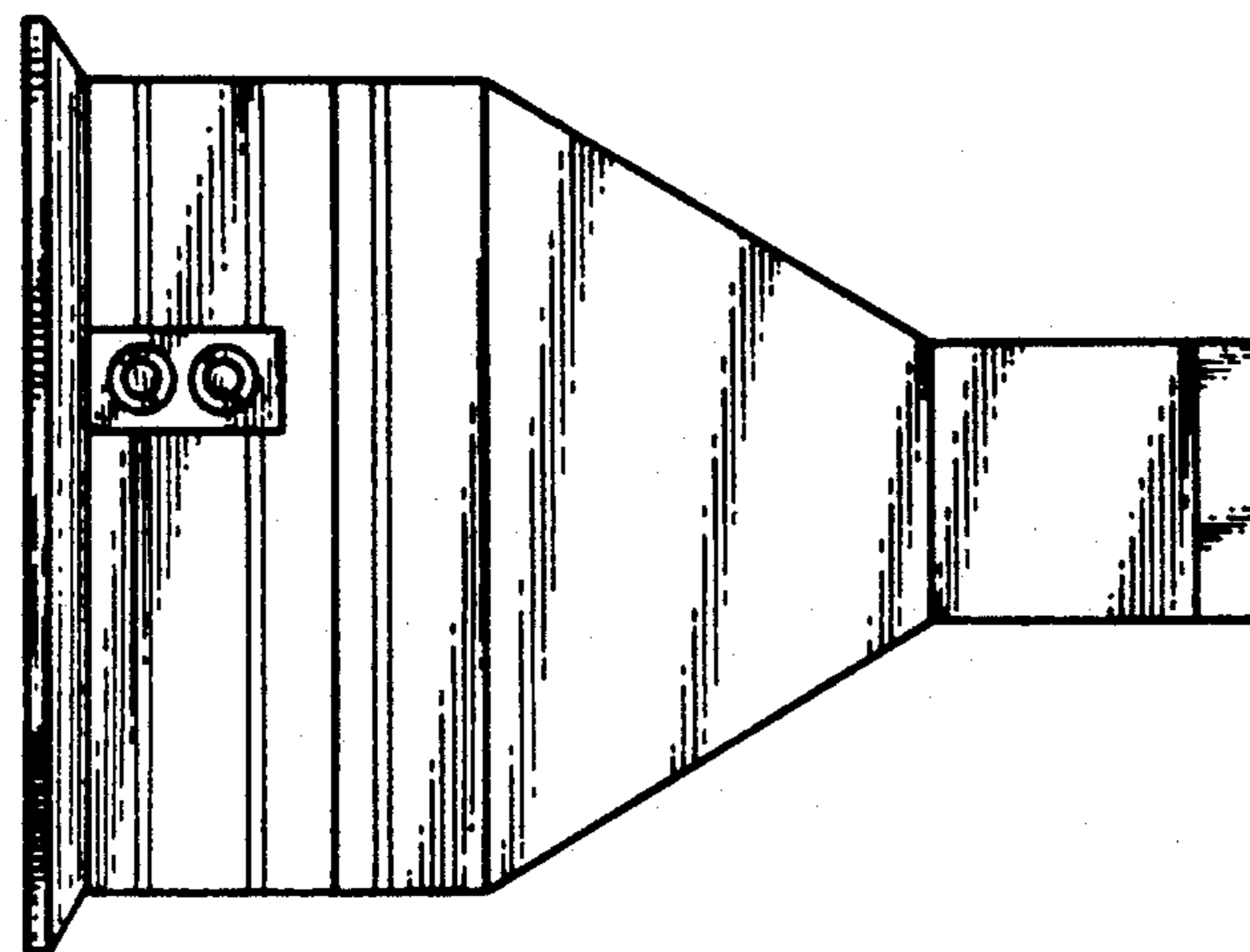


FIG. 5