



US00D338889S

United States Patent [19]

[11] Patent Number: **Des. 338,889**

Fuqua et al.

[45] Date of Patent: **** Aug. 31, 1993**

[54] **CALLER IDENTIFICATION DEVICE**

D. 323,155 1/1992 Hino et al. D14/100
D. 328,291 7/1992 Falkner D14/100 X

[75] Inventors: **Jerry W. Fuqua, Corinth, Miss.;
Charles Hampton, Westport, Tenn.**

Primary Examiner—Alan P. Douglas
Assistant Examiner—Jeffrey Asch
Attorney, Agent, or Firm—Ware, Fressola, Van Der
Sluys & Adolphson

[73] Assignee: **International Telecommunication
Corp., Memphis, Tenn.**

[**] Term: **14 Years**

[57] **CLAIM**

[21] Appl. No.: **632,739**

The ornamental design for a caller identification device,
as shown.

[22] Filed: **Dec. 20, 1990**

DESCRIPTION

[52] U.S. Cl. **D14/240; D10/15**

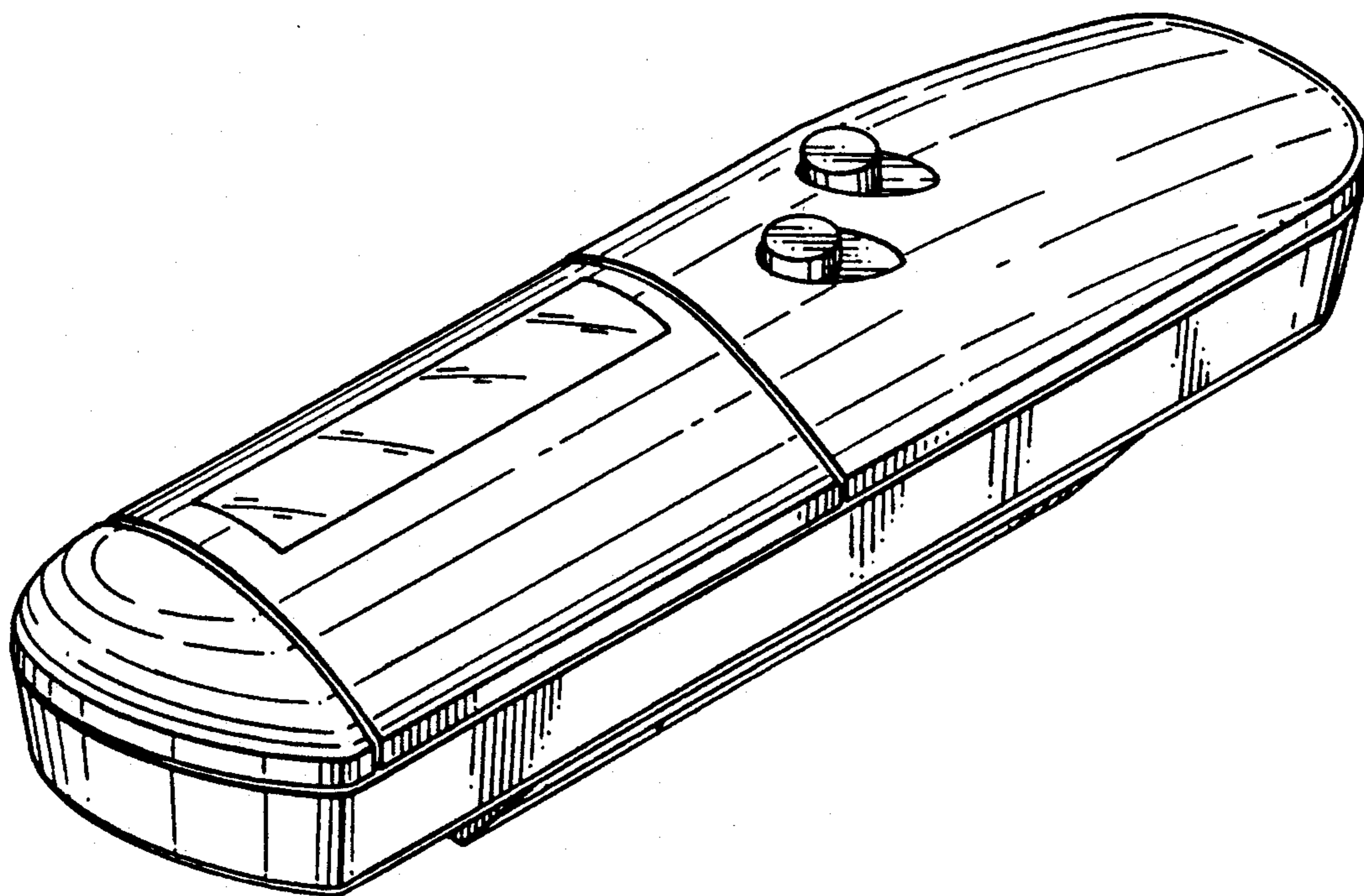
[58] Field of Search **D14/140, 149, 129, 130,
D14/106, 100, 240; D10/15, 24; 361/394;
379/441, 442, 456, 457**

FIG. 1 is a perspective view of a caller identification
device showing our new design;
FIG. 2 is a top plan view of the adapter of FIG. 1;
FIG. 3 is a first end elevational view of the adapter of
FIG. 1;
FIG. 4 is a second end elevational view of the adapter
of FIG. 1;
FIG. 5 is a bottom plan view of the adapter of FIG. 1;
FIG. 6 is an elevational view looking from the right of
FIG. 1;
FIG. 7 is an elevational view looking from the left of
FIG. 1; and,
FIG. 8 is a rear perspective view of the adapter of FIG.
1.

[56] **References Cited**

U.S. PATENT DOCUMENTS

- D. 239,838 5/1976 Crimmins D14/149
- D. 241,522 9/1976 Tateishi D10/15
- D. 246,351 11/1977 Yoshida et al. D10/15
- D. 252,801 9/1979 Usuda D10/15
- D. 255,551 6/1980 Hirota D10/15
- D. 263,124 2/1982 Dennis D10/15 X
- D. 306,026 2/1990 Boykin D14/149 X
- D. 311,523 10/1990 Cheung et al. D14/100



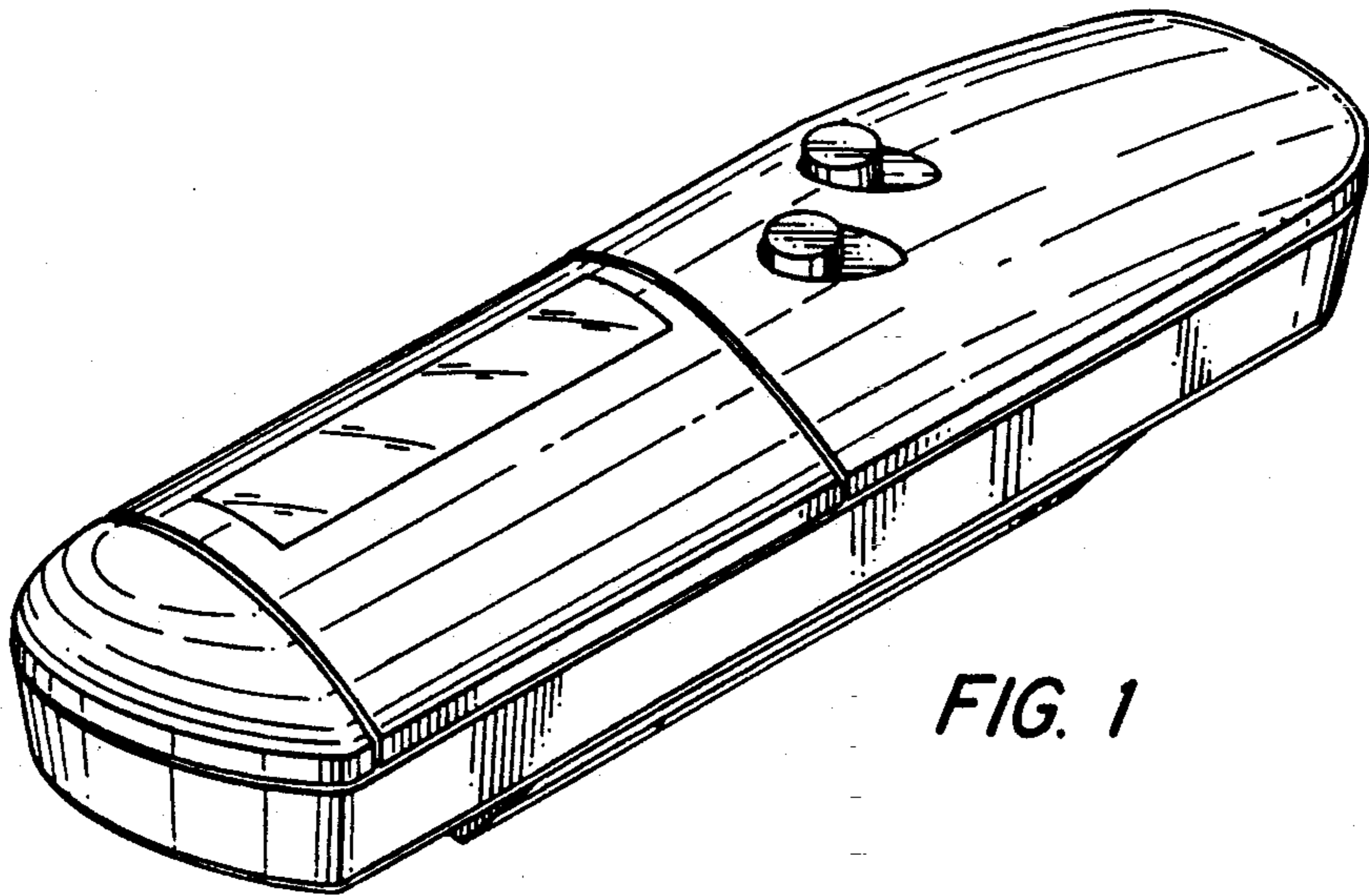


FIG. 1

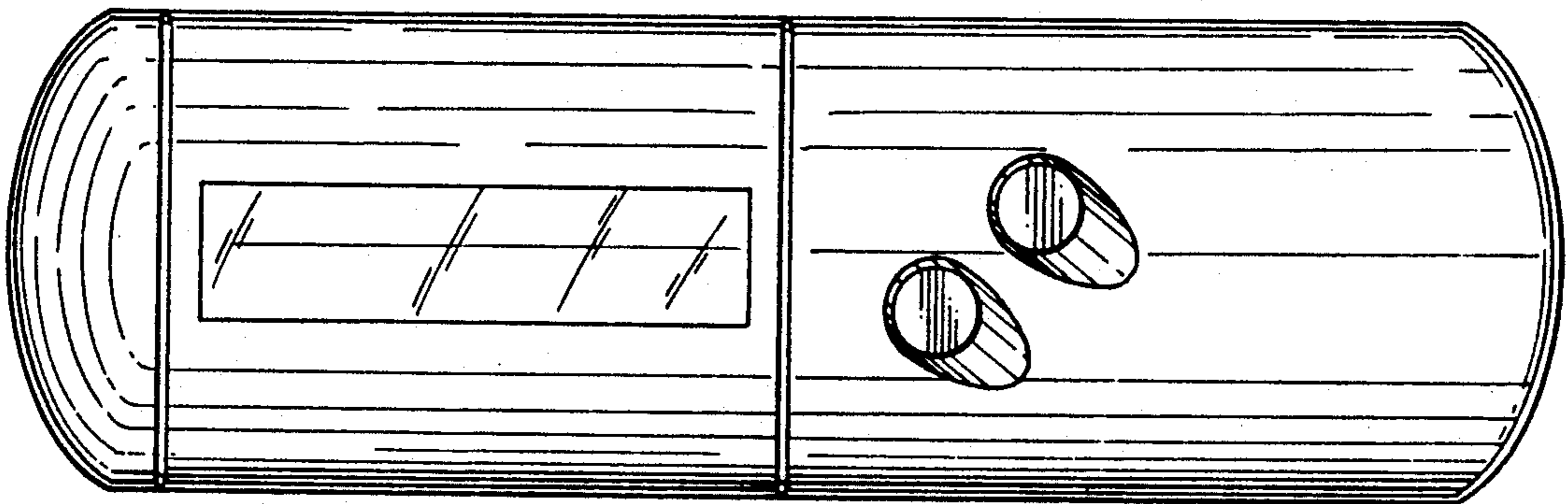


FIG. 2

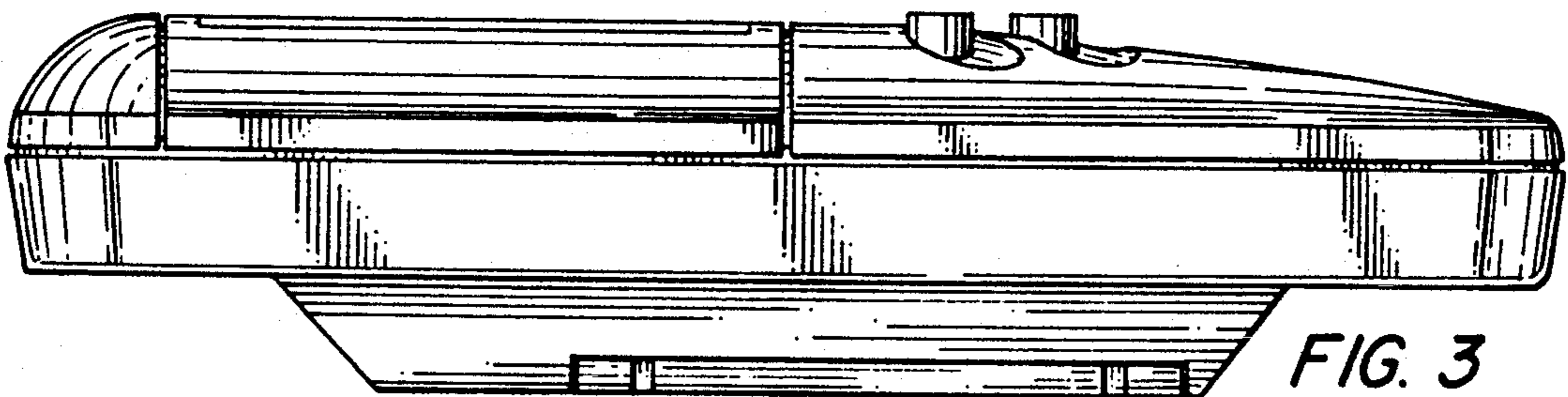


FIG. 3

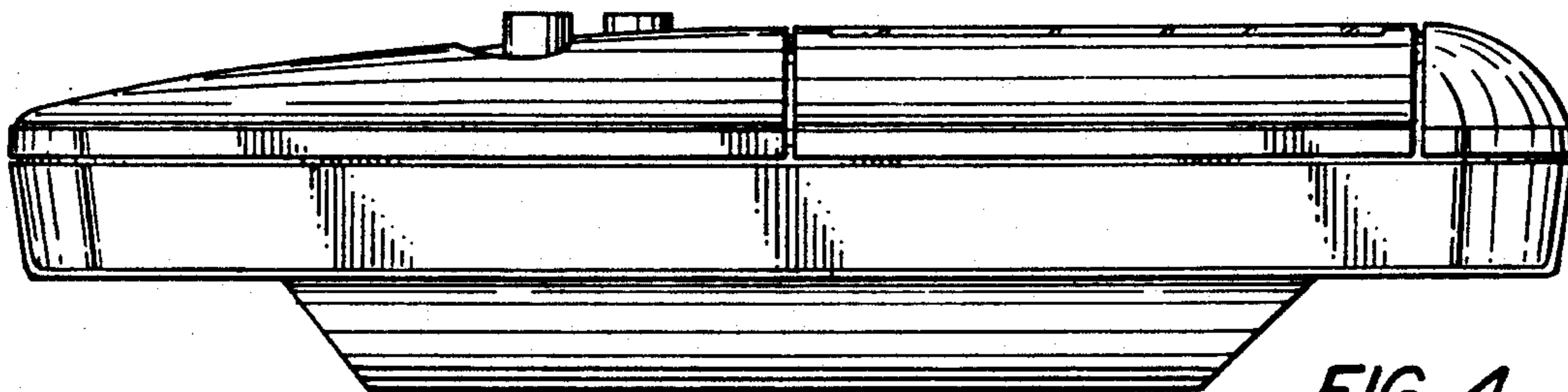


FIG. 4

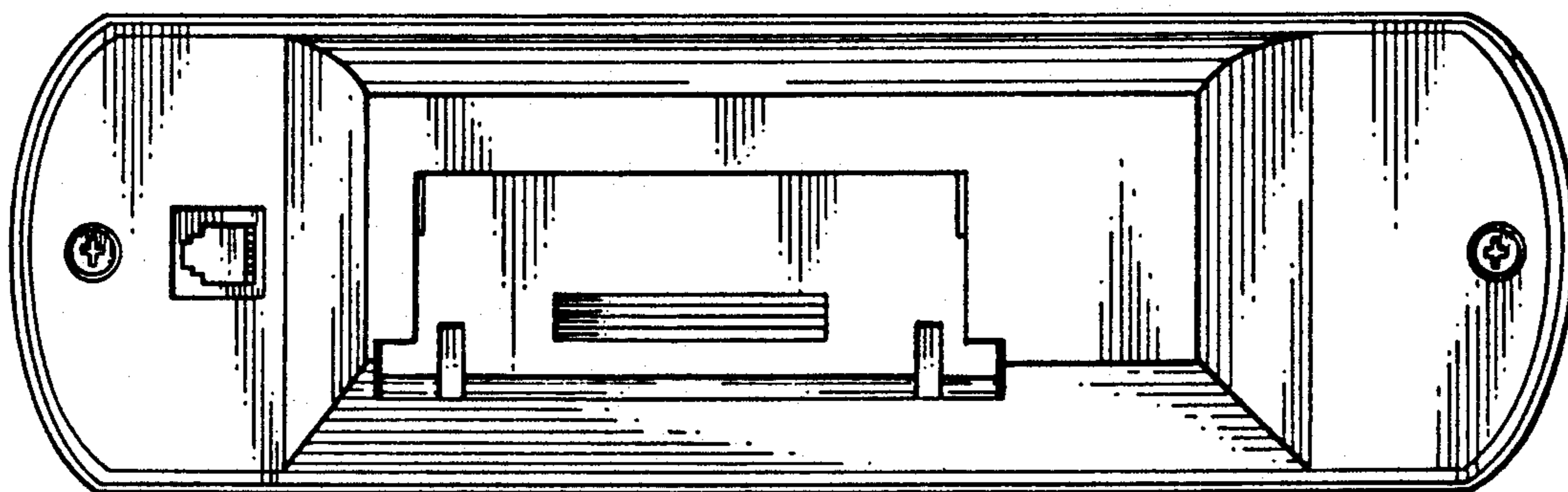


FIG. 5

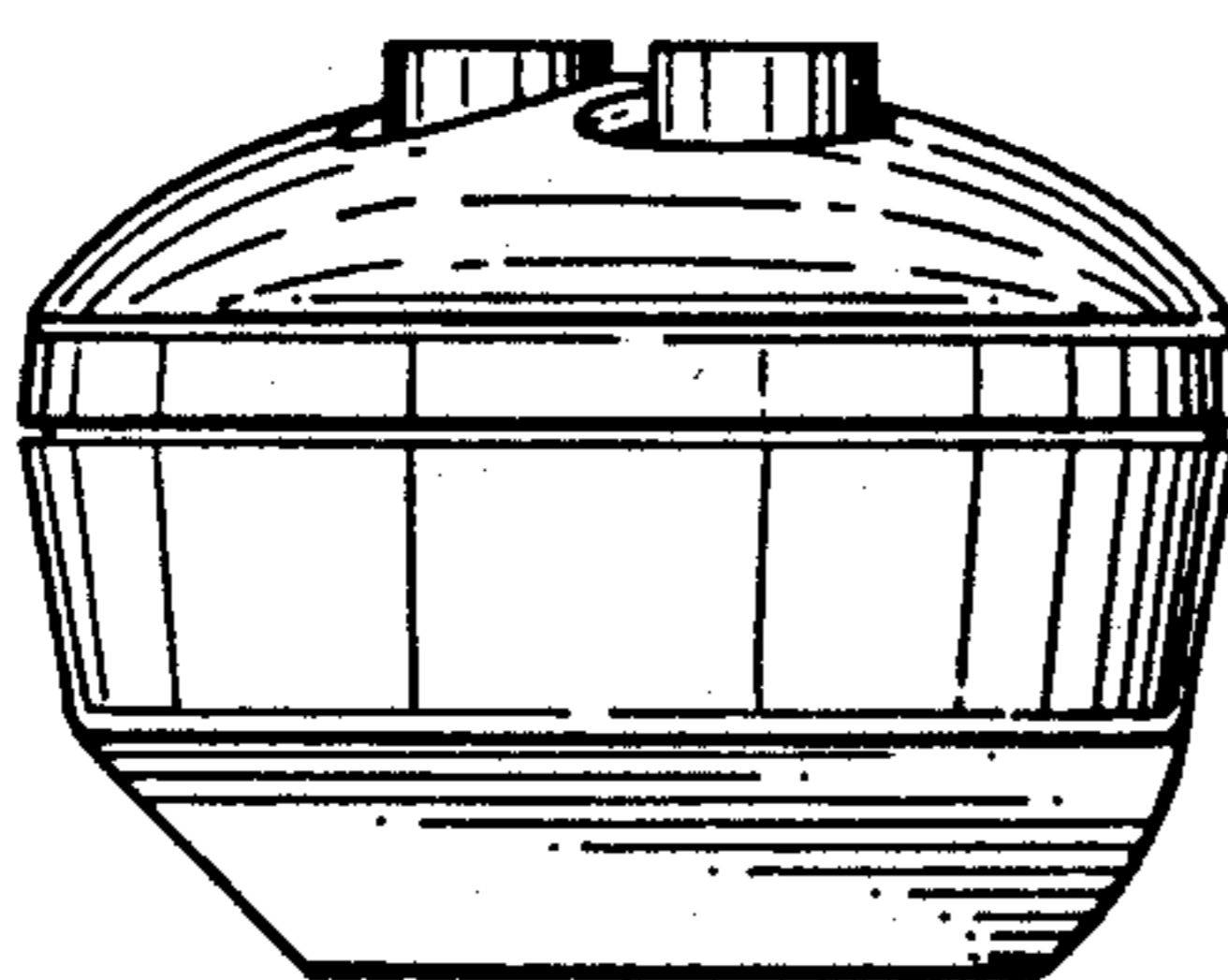


FIG. 6

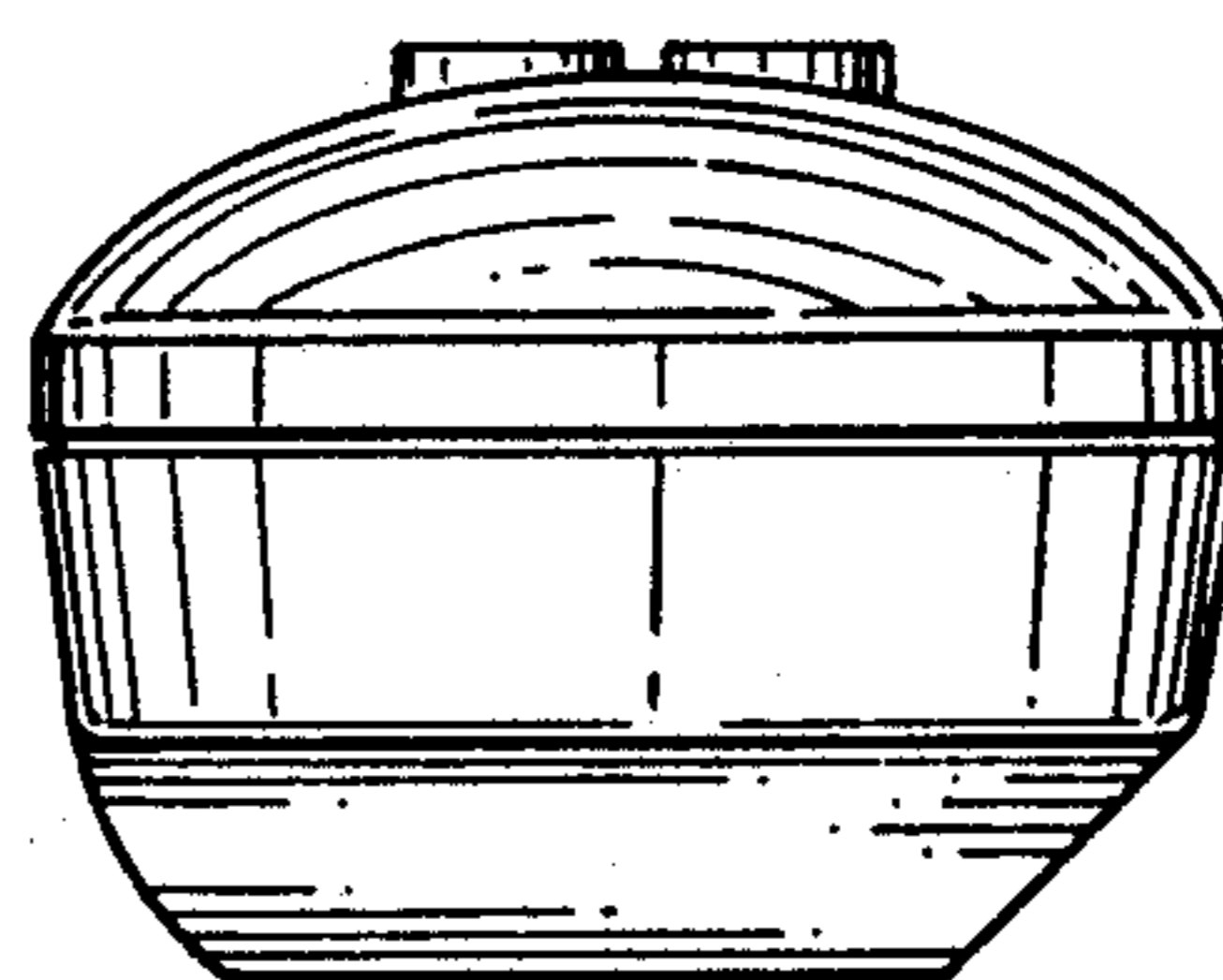


FIG. 7

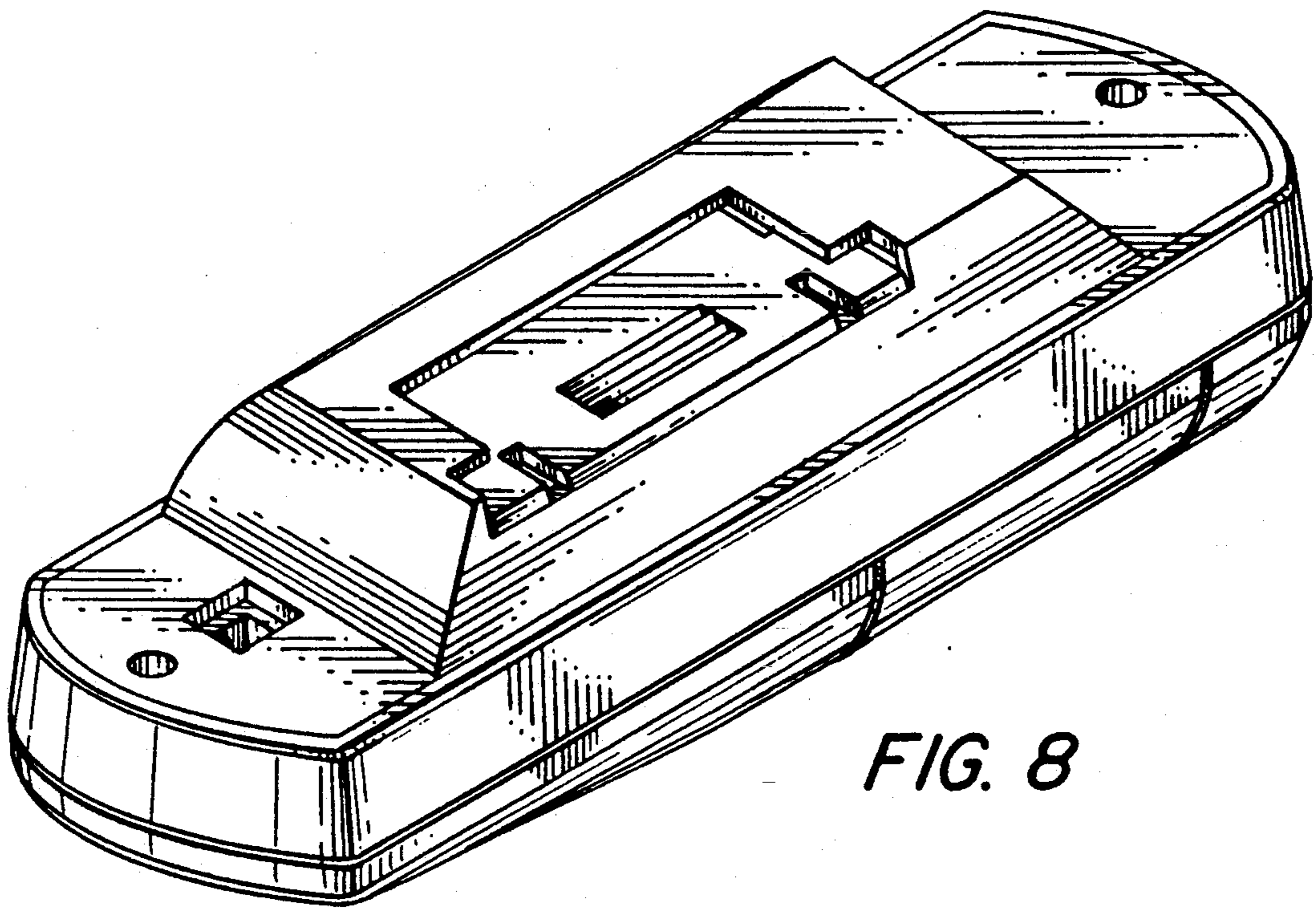


FIG. 8