



US00D338885S

United States Patent [19]

[11] Patent Number: **Des. 338,885**

Solomita et al.

[45] Date of Patent: **** Aug. 31, 1993**

[54] **TELEPHONE ANSWERING DEVICE**

D. 313,233 12/1990 Andrews, Sr. et al. D14/140 X
D. 316,549 4/1991 Hampf D14/247 X

[75] Inventors: **Anthony Solomita, Norwalk; Barry M. Haber, Westport, both of Conn.; Robert Taylor, Clarksburg, N.J.**

OTHER PUBLICATIONS

W. Bell & Co., 1987 catalog, p. 233, items 6-11, telephone answering machines.

[73] Assignee: **Conair Corporation, Stamford, Conn.**

Primary Examiner—Alan P. Douglas
Assistant Examiner—Jeffrey Asch
Attorney, Agent, or Firm—Haynes N. Johnson

[**] Term: **14 Years**

[21] Appl. No.: **836,454**

[57] **CLAIM**

[22] Filed: **Feb. 18, 1992**

The ornamental design for a telephone answering device, as shown and described.

[52] U.S. Cl. **D14/141**

[58] Field of Search **D14/240, 241, 140, 141, D14/247, 142, 149, 136, 156, 124; 379/428, 434, 429, 435, 436**

DESCRIPTION

[56] **References Cited**

U.S. PATENT DOCUMENTS

D. 239,407 3/1976 van de Poel D14/156 X
D. 284,854 7/1986 Vaillant D14/240
D. 298,618 11/1988 Martinez D14/141
D. 306,060 3/1990 Dickson D14/241

FIG. 1 is a perspective view of a telephone answering device showing our new design; FIG. 2 is a right side elevation thereof; FIG. 3 is a left side elevation thereof; FIG. 4 is a rear elevation thereof; FIG. 5 is a top plan view thereof; FIG. 6 is a front elevation thereof; and, FIG. 7 is a bottom plan view thereof.

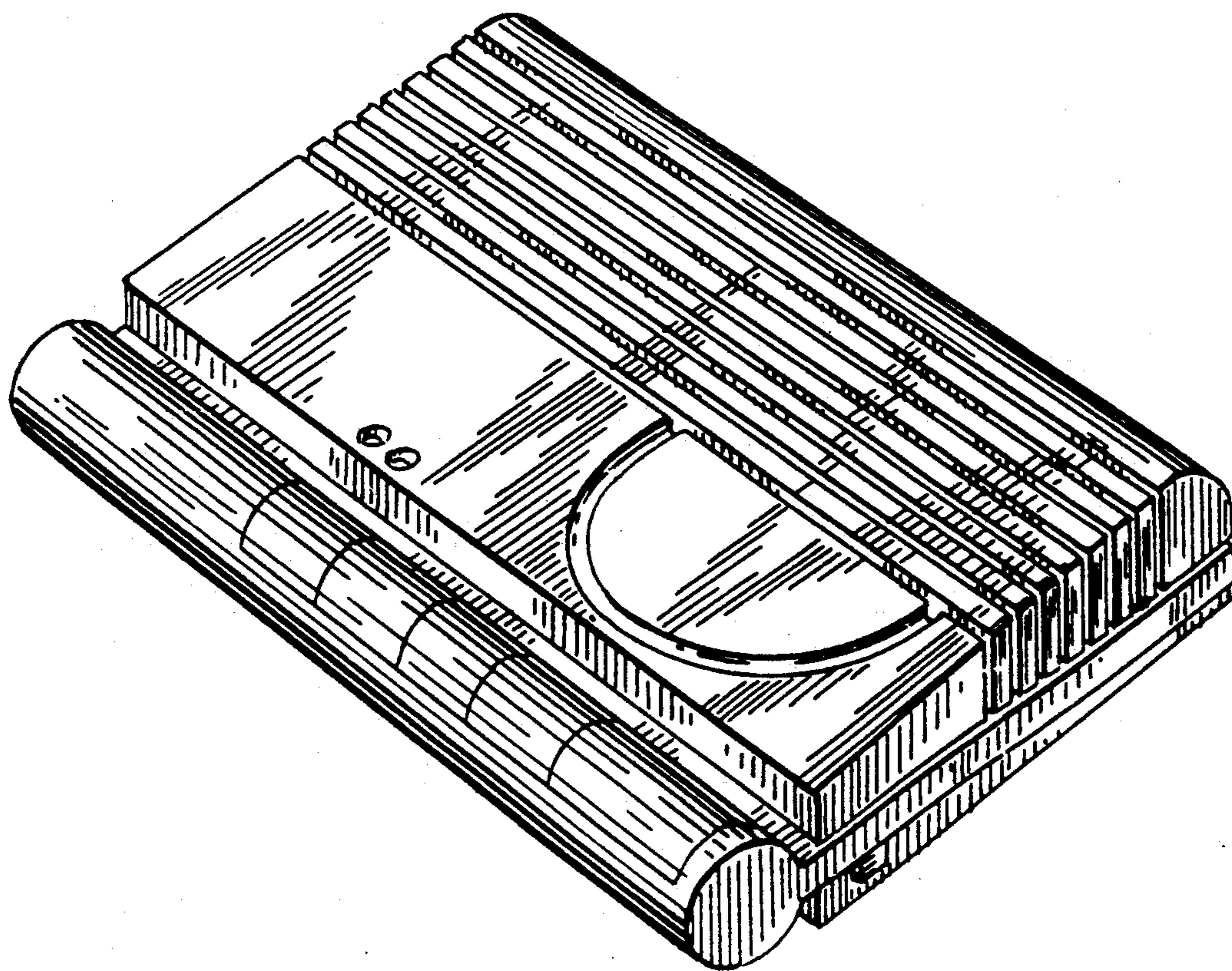


Fig. 1

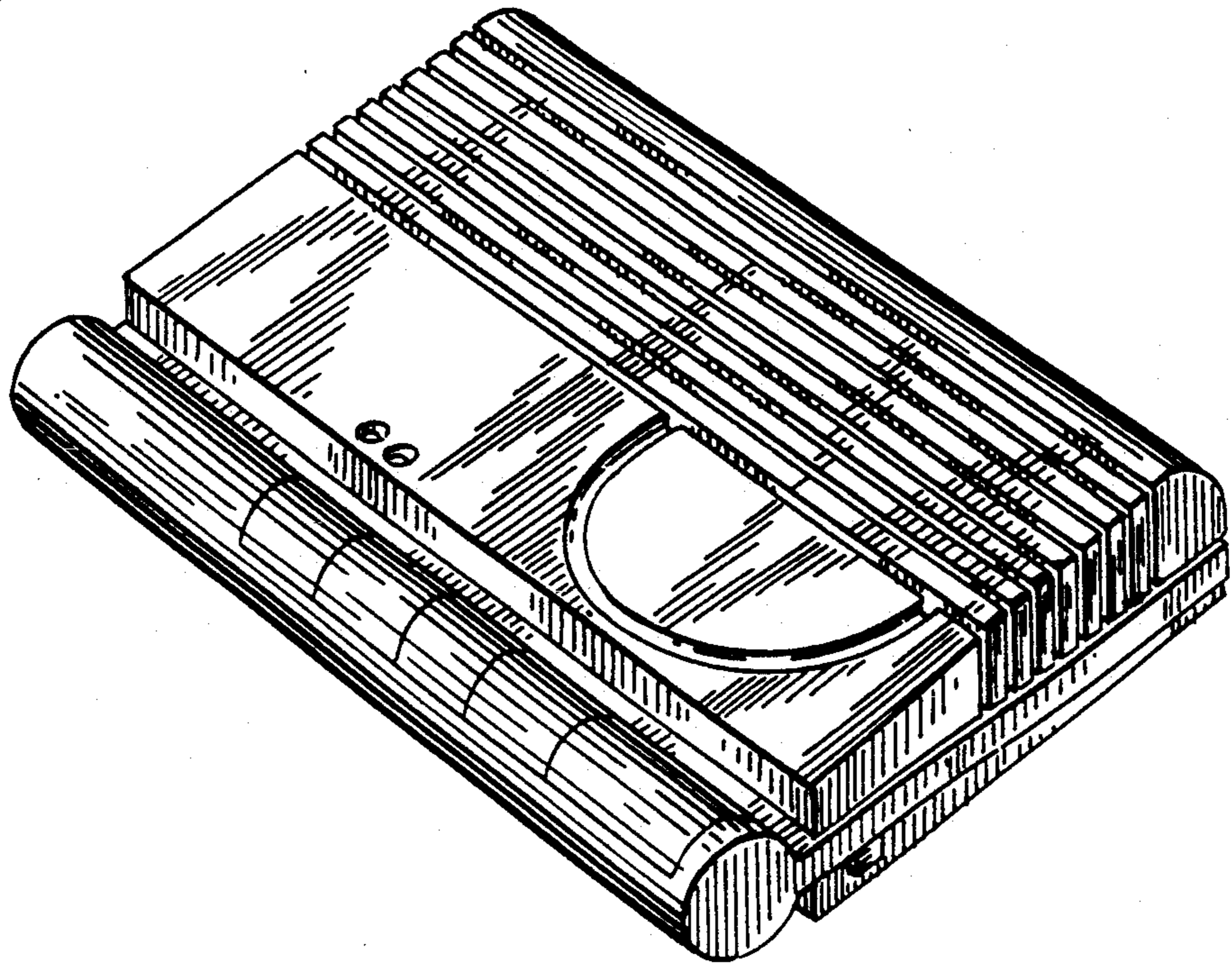


Fig. 2.

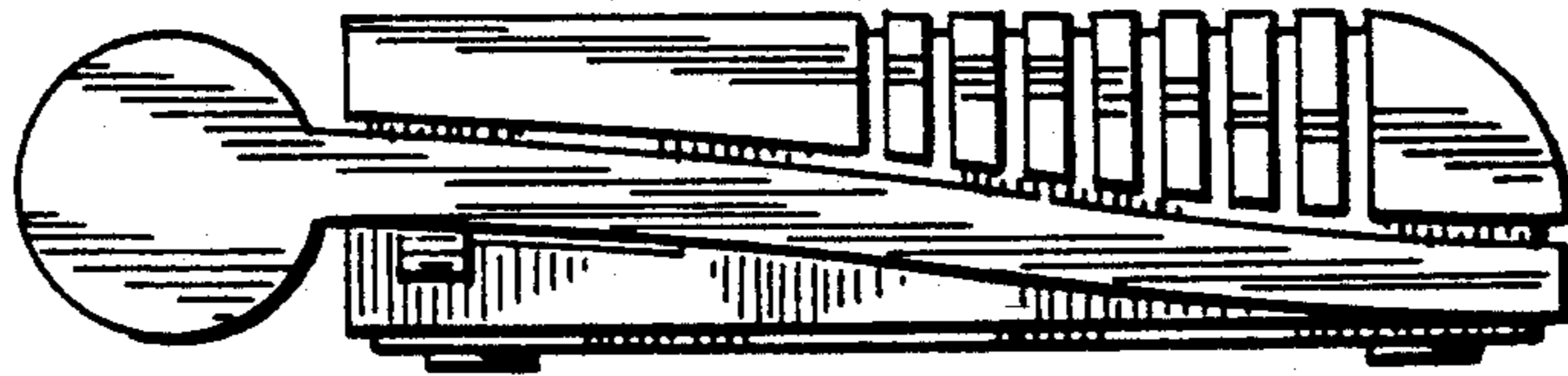


Fig. 3.

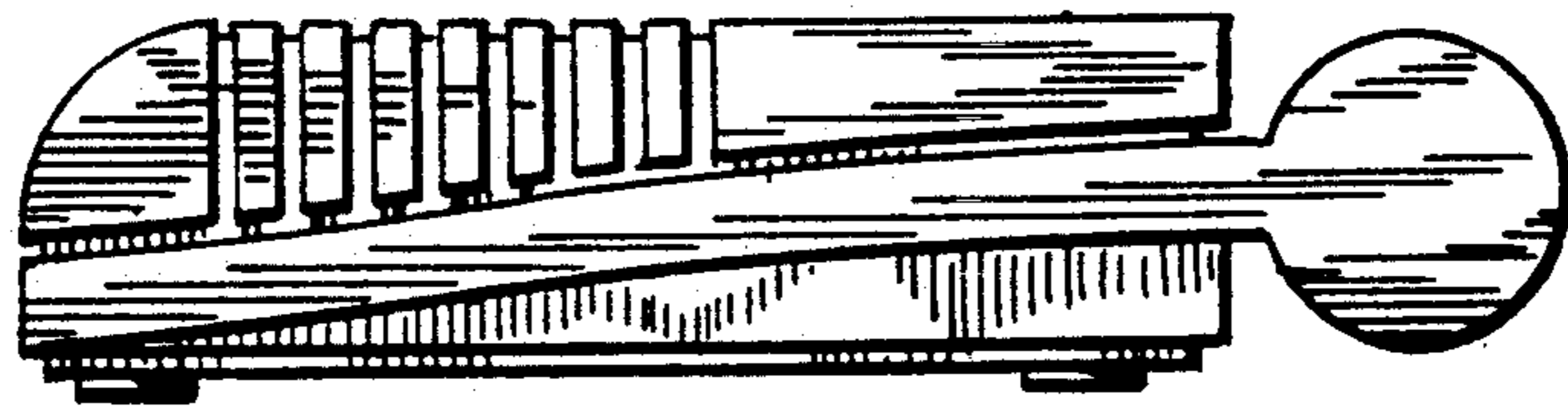


Fig. 4.

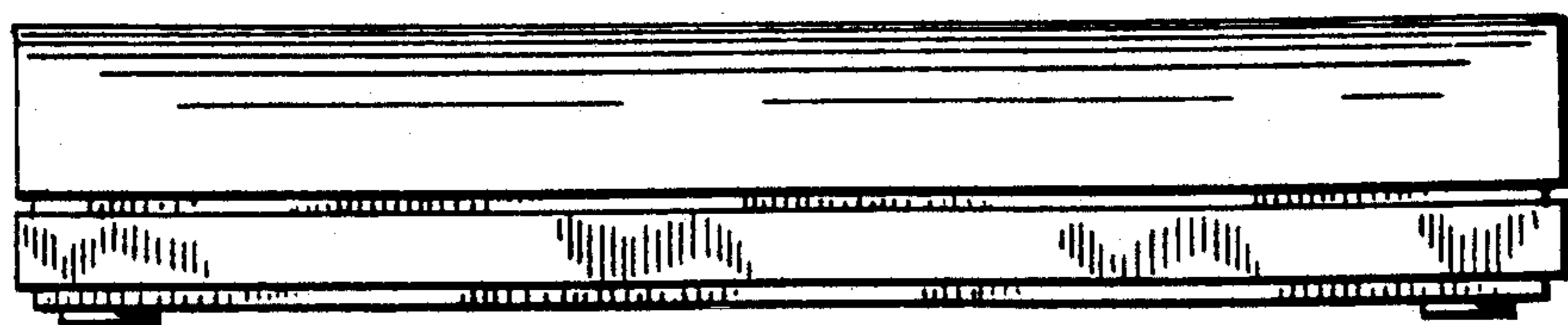


Fig. 5.

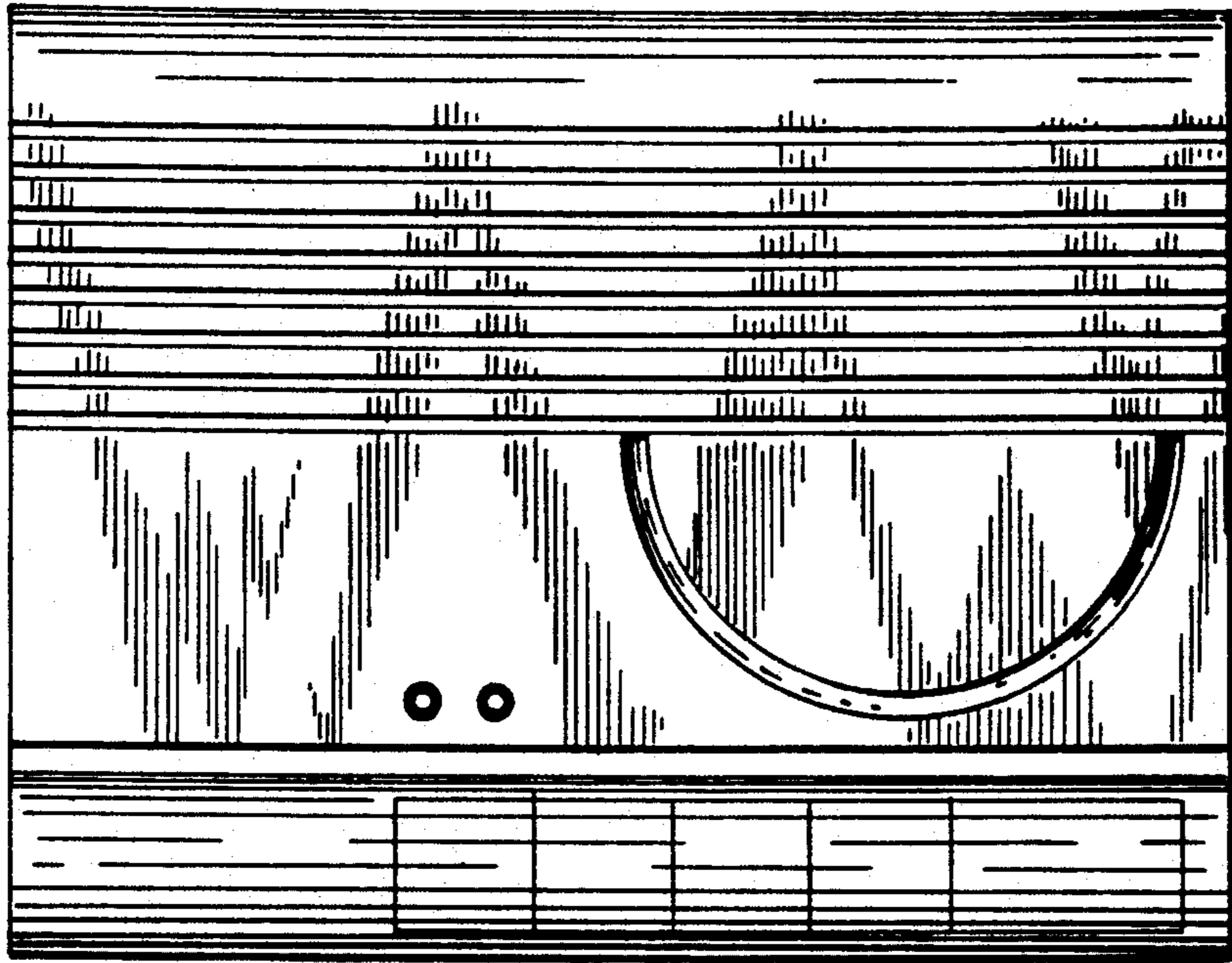


Fig. 6.

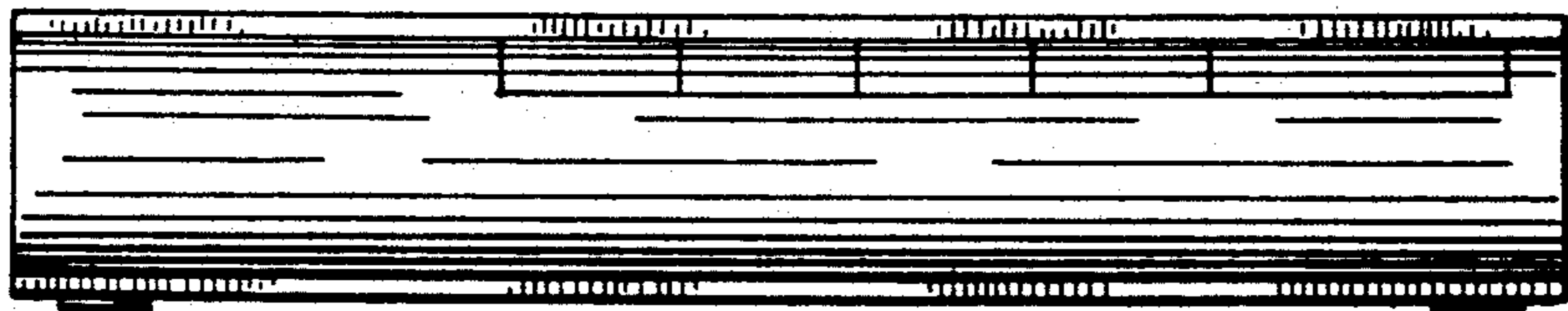


Fig. 7.

