



US00D338884S

United States Patent [19]

[11] Patent Number: **Des. 338,884**

Toedter

[45] Date of Patent: **** Aug. 31, 1993**

[54] **COMPUTER MONITOR BEZEL**

D. 308,362 6/1990 Scottsass D14/113
D. 312,078 11/1990 Kemp D14/115
D. 326,260 5/1992 Oshima D14/113

[75] Inventor: **Peter K. Toedter**, Trabuco Canyon, Calif.

Primary Examiner—Wallace R. Burke
Assistant Examiner—Freda S. Nunn

[73] Assignee: **AST Research, Inc.**, Irvine, Calif.

[57] **CLAIM**

[**] Term: **14 Years**

The ornamental design for a computer monitor bezel, as shown and described.

[21] Appl. No.: **591,472**

DESCRIPTION

[22] Filed: **Oct. 5, 1990**

[52] U.S. Cl. **D14/115**

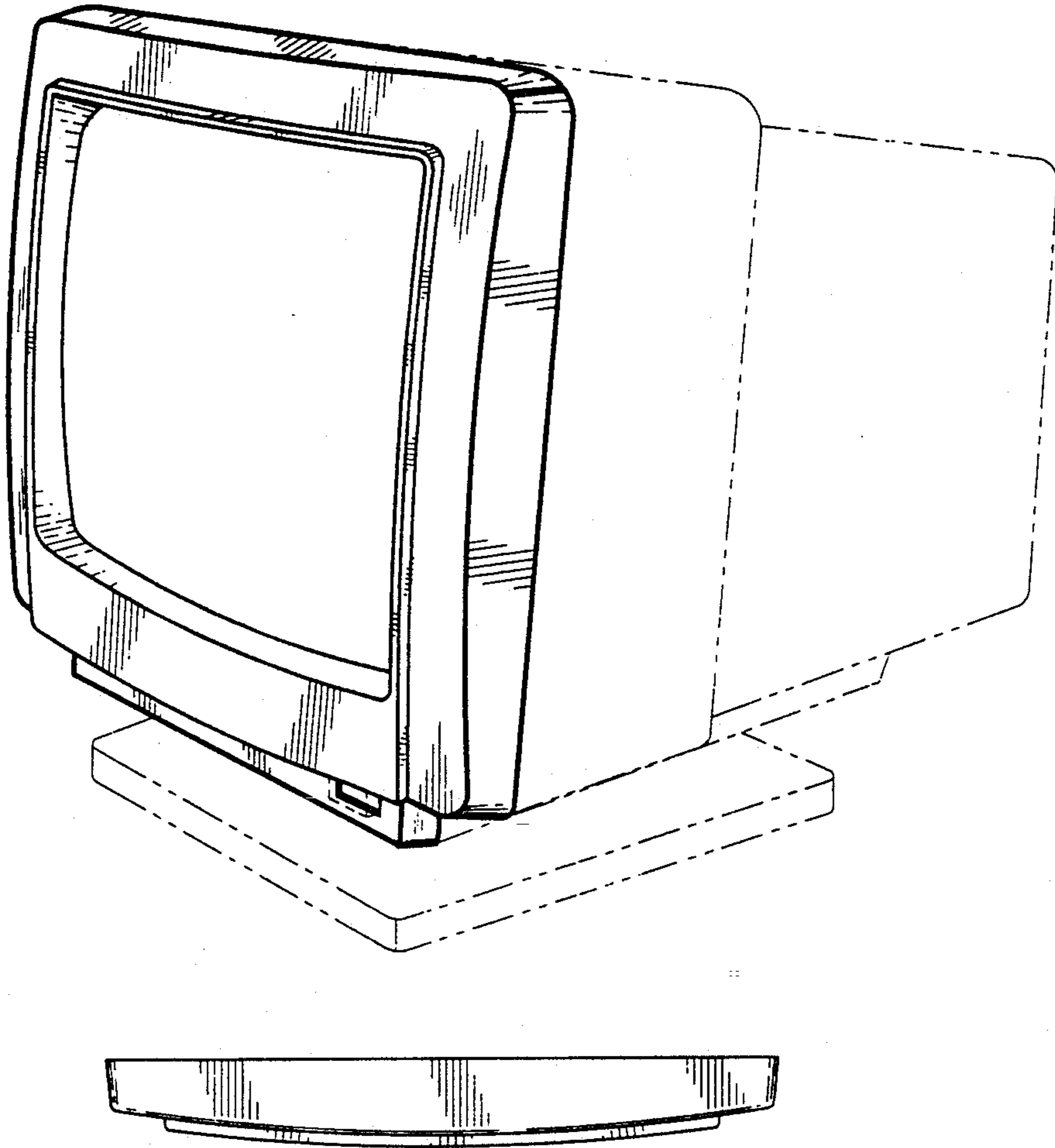
[58] Field of Search **D14/100, 101, 106, 113, D14/124-126, 239; D18/1, 7; 358/249, 254; 364/706-710; 340/700, 706**

FIG. 1 is a perspective view of a computer monitor bezel showing my new design, the monitor being shown in broken lines for illustrative purposes only and forms no part of the claimed design;
FIG. 2 is a top plan view thereof;
FIG. 3 is a front elevational view thereof;
FIG. 4 is a side elevational view thereof, the opposite side being a mirror image;
FIG. 5 is a rear elevational view thereof; and,
FIG. 6 is a bottom plan view thereof.

[56] **References Cited**

U.S. PATENT DOCUMENTS

D. 277,182 1/1985 Matsuda et al. D14/239
D. 291,086 7/1987 Price D14/115
D. 295,414 4/1988 Yokoi et al. D14/113



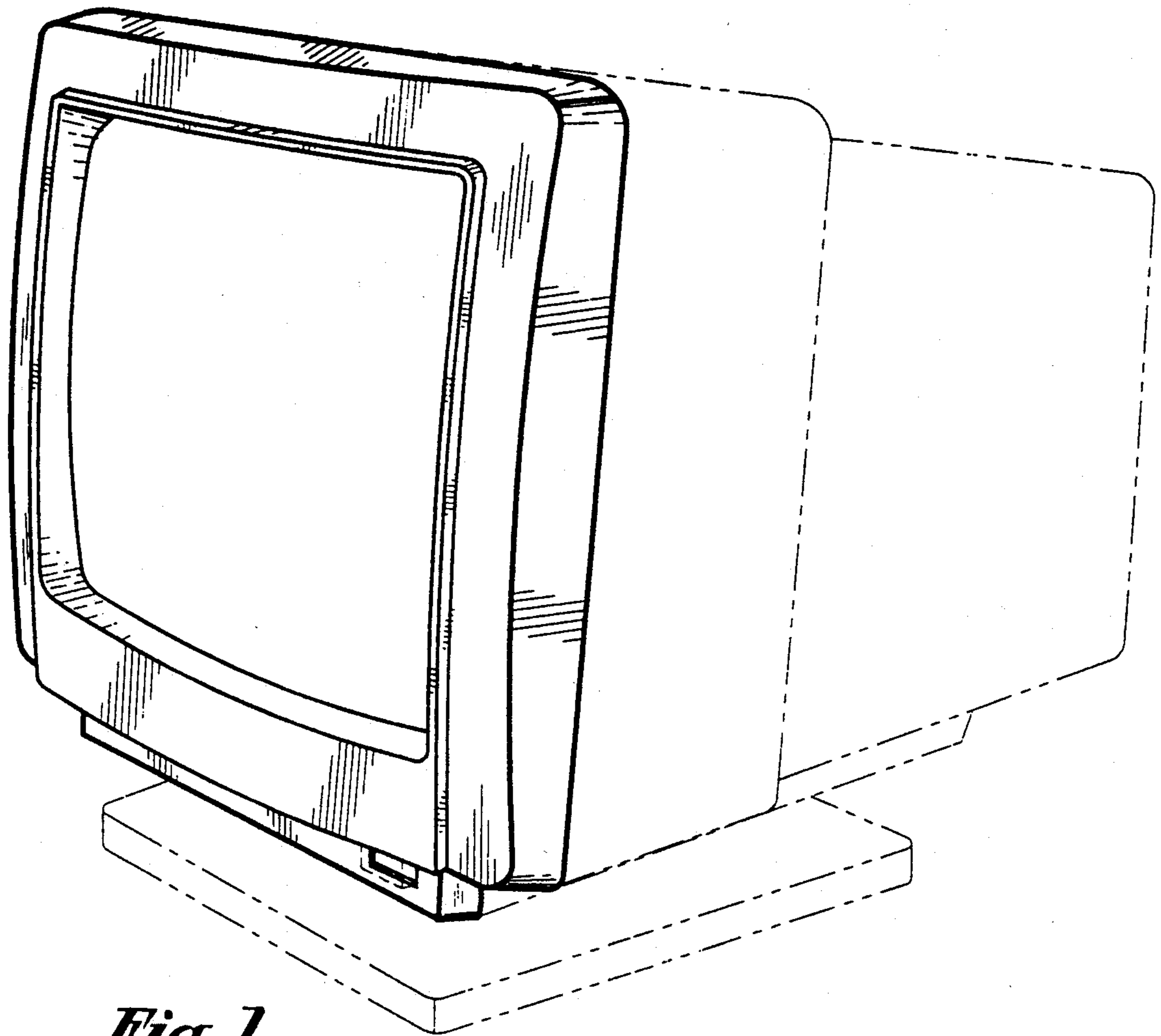


Fig. 1

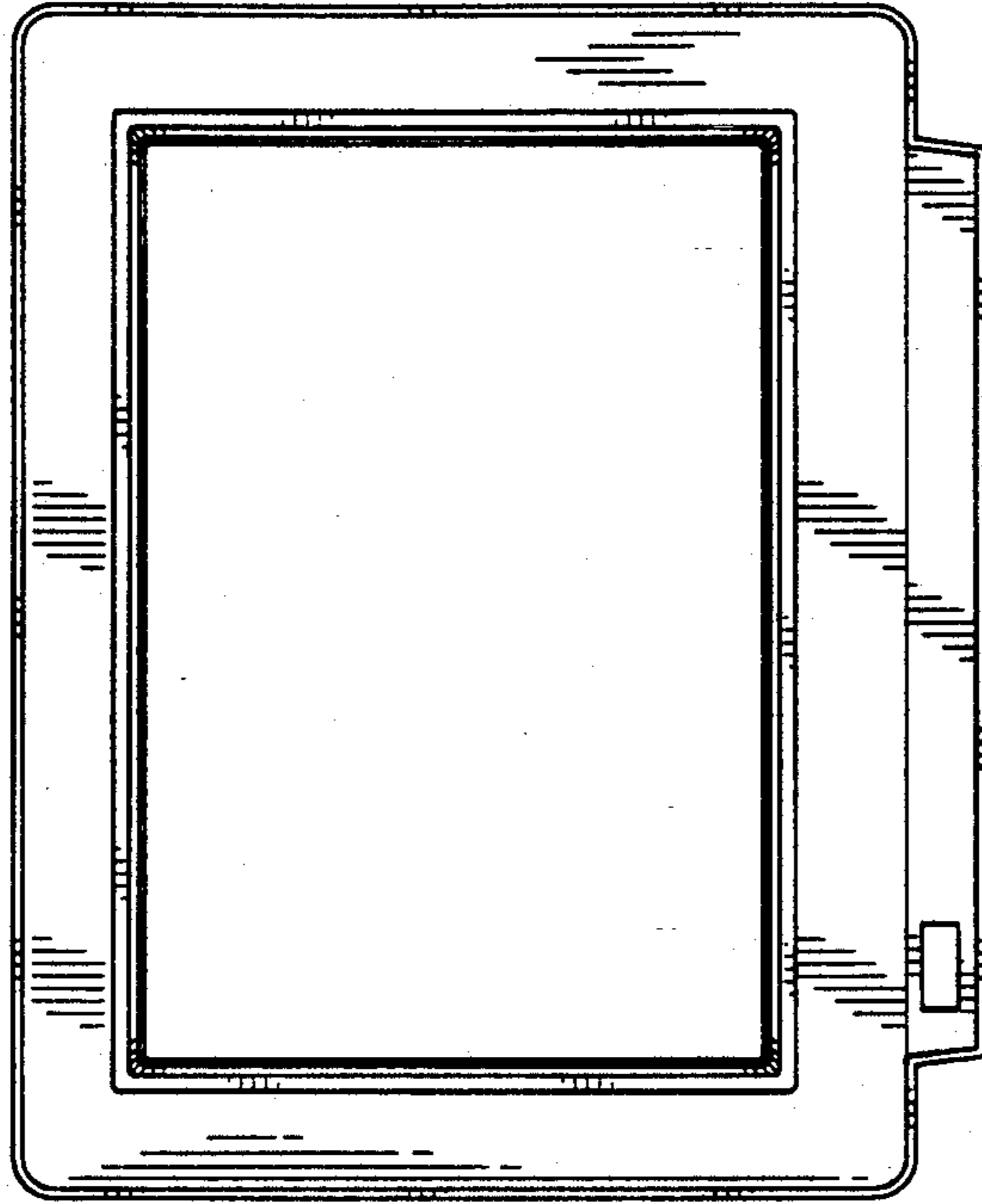
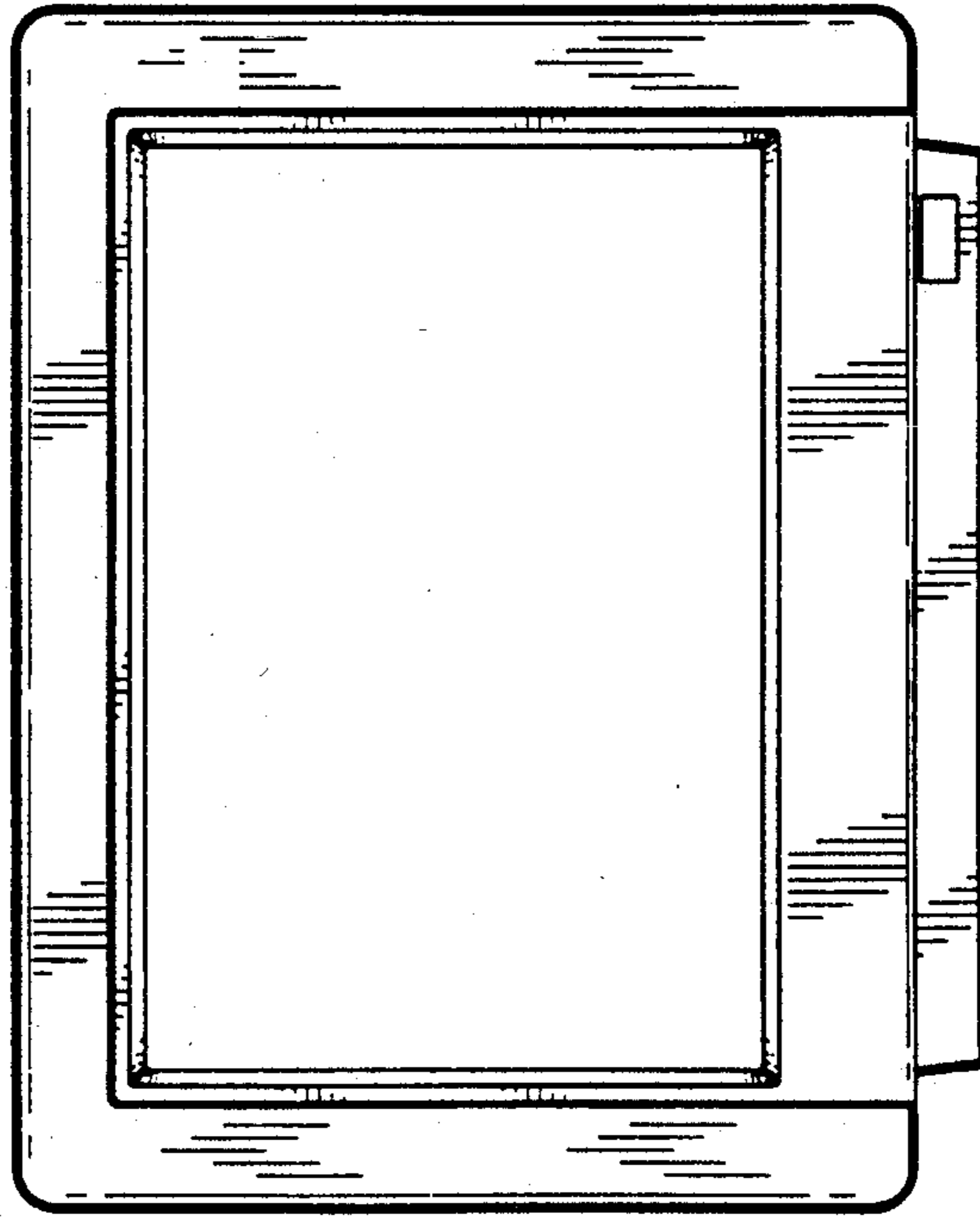
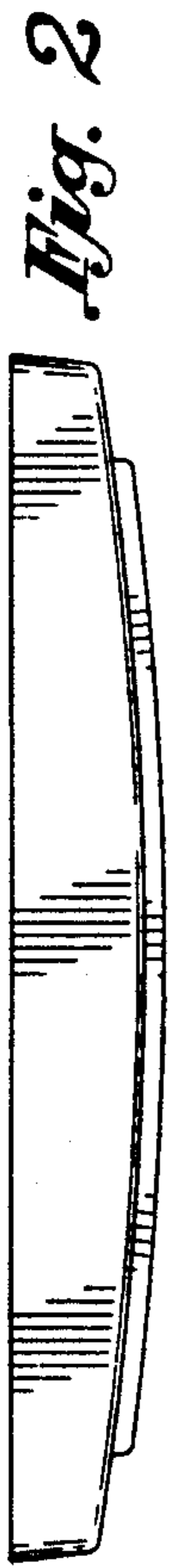


Fig. 3

Fig. 4

Fig. 5

