



US00D338879S

United States Patent [19]

[11] Patent Number: **Des. 338,879**

Iino

[45] Date of Patent: **** Aug. 31, 1993**

[54] ELECTRONIC COMPUTER

[75] Inventor: **Masaaki Iino, Yokohama, Japan**

[73] Assignee: **Kabushiki Kaisha Toshiba, Kanagawa, Japan**

[**] Term: **14 Years**

[21] Appl. No.: **938,671**

[22] Filed: **Sep. 1, 1992**

Related U.S. Application Data

[63] Continuation of Ser. No. 461,463, Jan. 5, 1990, abandoned.

[30] Foreign Application Priority Data

Jul. 6, 1989 [JP] Japan 1-24754

[52] U.S. Cl. **D14/106**

[58] Field of Search **D14/100, 101, 106, 105, D14/113, 115; D18/1, 7, 11, 12; 235/145 A, 145 R; 340/700, 706, 711, 712; 358/249, 253; 364/706-710**

[56] References Cited

U.S. PATENT DOCUMENTS

D. 224,784	7/1972	Sucre et al.	D14/106
D. 243,250	2/1977	Hazama	D18/7
D. 254,005	1/1980	Zadock et al.	D14/106
D. 269,529	6/1983	Luen	D19/76 X
D. 275,102	8/1984	MacConnel	D14/106
D. 280,511	9/1985	Moggridge et al.	D14/106
D. 280,622	9/1985	Moggridge et al.	D14/100
D. 282,843	3/1986	Kurihara et al.	D14/100
D. 283,511	4/1986	Dunn	D14/106
D. 284,193	6/1986	Marshall	D14/101
D. 284,474	7/1986	Sawada	D14/100
D. 284,966	8/1986	Larkins	D14/100
D. 287,969	1/1987	Kusanagi	D14/106
D. 288,566	3/1987	Chin et al.	D14/106
D. 289,177	4/1987	Sawada	D18/7
D. 289,763	5/1987	Fujii et al.	D14/106
D. 290,256	6/1987	Sapper et al.	D14/106
D. 290,609	6/1987	Harlan et al.	D14/100
D. 290,845	7/1987	Yubisui et al.	D14/111
D. 291,442	8/1987	Kurihara	D14/106

(List continued on next page.)

FOREIGN PATENT DOCUMENTS

100708	6/1988	China .
100709	6/1988	China .
101093	7/1988	China .
M800660	10/1988	Fed. Rep. of Germany .
M8802901	5/1989	Fed. Rep. of Germany .
M8803410	12/1989	Fed. Rep. of Germany .
M8803411	12/1989	Fed. Rep. of Germany .
M8908516	7/1990	Fed. Rep. of Germany .
47-14961	5/1972	Japan .

(List continued on next page.)

Primary Examiner—Wallace R. Burke

Assistant Examiner—Freda S. Nunn

Attorney, Agent, or Firm—Banner, Birch, McKie & Beckett

[57] CLAIM

The ornamental design for an electronic computer, as shown and described.

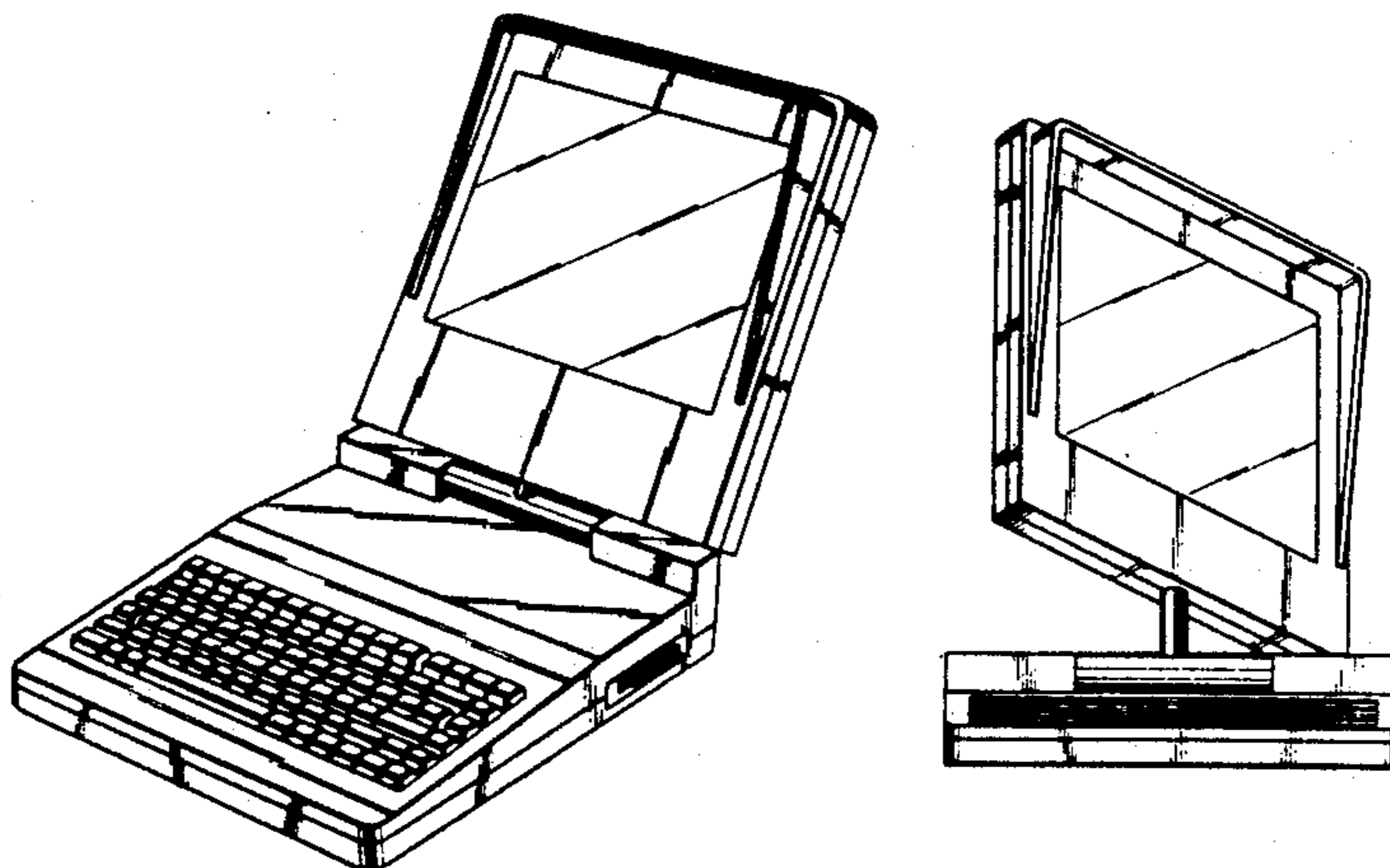
DESCRIPTION

FIG. 1 is a top, front and right side perspective view of an electronic computer showing my new design; FIG. 2 is a top plan view thereof; FIG. 3 is a bottom plan view thereof; FIG. 4 is a front elevational view thereof; FIG. 5 is a rear elevational view thereof; FIG. 6 is a left side elevational view thereof; FIG. 7 is a right side elevational view thereof; FIG. 8 is a right side elevational view thereof, the display panel in the closed position; FIG. 9 is a front elevational view thereof, the display panel in the turned position; FIG. 10 is a front elevational view thereof, the display panel in the closed position; and, FIG. 11 is a top plan view thereof, the display panel in the closed position.

OTHER PUBLICATIONS

Panasonic Panacom 6000 LT Brochure, Jun. 7, 1988.

(List continued on next page.)



U.S. PATENT DOCUMENTS

D. 293,677 1/1988 Hara et al. D14/106
 D. 293,678 1/1988 Sawatani et al. D14/106
 D. 294,029 2/1988 Nishiyama et al. D14/106
 D. 294,831 3/1988 Hara et al. D14/106
 D. 295,176 4/1988 Nishimoto et al. D14/106
 D. 295,519 3/1988 Kimble D16/106
 D. 298,623 11/1988 Yubisui et al. D14/100
 D. 299,031 12/1988 Sugano D14/106
 D. 303,250 9/1989 Ver Nooy et al. D14/106
 D. 303,523 9/1989 Shiozawa et al. D14/106
 D. 303,790 10/1989 Kato et al. D14/106
 D. 304,930 12/1989 Hongo et al. D14/100
 D. 305,883 2/1990 Burton D14/106
 D. 306,285 2/1990 Yu D14/106
 D. 307,581 5/1990 Ooshima D14/106
 D. 308,050 5/1990 Sugano et al. D14/106
 D. 308,051 5/1990 Sakai D14/106
 D. 308,516 6/1990 Takach, Jr. et al. D14/106
 D. 308,860 6/1990 Tsukada et al. D14/106
 D. 308,861 6/1990 Tsukada D14/106
 D. 309,603 7/1990 Mizusugi et al. D14/106
 D. 309,749 8/1990 Ido D18/7
 D. 310,353 9/1990 Sugano et al. D14/106
 D. 310,828 9/1990 Grundstrom et al. D14/106
 D. 311,527 10/1990 Fujii et al. D14/106
 D. 311,528 10/1990 Sugano et al. D14/106
 D. 311,741 10/1990 Sakai D14/106
 D. 311,906 11/1990 Iino D14/106
 D. 312,822 12/1990 Watabe et al. D14/106
 D. 313,978 1/1991 Miyakuni D14/106
 D. 313,979 1/1991 Miyakuni D14/106
 D. 314,558 2/1991 Iino D14/106
 D. 317,442 6/1991 Gintz et al. D14/106
 D. 317,444 6/1991 Mizusugi et al. D14/106
 D. 322,246 12/1991 Izaki D14/100
 D. 323,156 1/1992 Nishida D14/101
 D. 324,035 2/1992 Izaki D14/100
 D. 324,036 2/1992 Wakasa D14/101
 D. 327,473 6/1992 Iino D14/106
 D. 328,455 8/1992 Izaki D14/106
 D. 328,592 8/1992 Kajita D14/106
 4,703,160 10/1987 Narishima et al. 235/1 D

FOREIGN PATENT DOCUMENTS

499866 4/1979 Japan .
 639216 11/1984 Japan .
 650470 5/1985 Japan .
 664175 10/1985 Japan .
 684172 8/1986 Japan .
 685063 8/1986 Japan .
 685542 8/1986 Japan .

686374 9/1986 Japan .
 686381 9/1986 Japan .
 686386 9/1986 Japan .
 686654 9/1986 Japan .
 686658 9/1986 Japan .
 686706 9/1986 Japan .
 685000 12/1986 Japan .
 695931 12/1986 Japan .
 696188 1/1987 Japan .
 697328 1/1987 Japan .
 763838 6/1988 Japan .
 685121 10/1988 Japan .
 747990 11/1988 Japan .
 747991 11/1988 Japan .
 748513 11/1988 Japan .
 749802 11/1988 Japan .
 746985(1) 4/1989 Japan .
 746985(2) 4/1989 Japan .
 761927 5/1989 Japan .
 763840 6/1989 Japan .
 763855 6/1989 Japan .
 761927(1) 2/1990 Japan .
 761927(3) 5/1990 Japan .
 761927(2) 5/1990 Japan .
 761927(4) 6/1990 Japan .
 67297 2/1987 Rep. of Korea .
 85031 10/1988 Rep. of Korea .
 85032 10/1988 Rep. of Korea .
 92859 7/1989 Rep. of Korea .
 92863 7/1989 Rep. of Korea .
 94470 9/1989 Rep. of Korea .
 97355 12/1989 Rep. of Korea .
 100917 4/1990 Rep. of Korea .

U.S. PATENT DOCUMENTS

NEC Mini 5 Carryword Brochure, Jun. 27, 1988.
 Ricoh JP90LX Brochure, Jun. 28, 1988.
 NEC Mini 5 HL Brochure, Jun. 30, 1988.
 NEC PC-98 LT Brochure, Jul. 14, 1988.
 Sharp Advertisement May 19, 1976.
 Fanuc System P-Model Jul. 27, 1983.
 Moebel Interior Design Jan. 5, 1984.
 The Office 98-6 Jan. 31, 1984.
 Demus 645 Feb. 22, 1984.
 MRD Advertisement Mar. 29, 1984.
 Gavilan Mobile Computer Brochure Apr. 19, 1984.
 Picture #J9016870 May 8, 1984.
 Hewlett Packard Advertisement May 18, 1984.
 Hewlett Packard Advertisement Jun. 5, 1984.

(List continued on next page.)

OTHER PUBLICATIONS

- Epson HC-88 Jul. 1, 1984.
 Hitachi Advertisement Sep. 4, 1984.
 Hewlett Packard Advertisement Sep. 12, 1984.
 Sharp PC-5000 Brochure Sep. 26, 1984.
 Data General One Advertisement Sep. 28, 1984.
 Apple Computer Apple IIC Oct. 15, 1984.
 TI Software Journal, Pro-Lite TM Nov. 14, 1984.
 IS-11c Advertisement Nov. 14, 1984.
 Dulmont Magnum Article in Portable Computer Nov. 1984.
 IBM Advertisement Dec. 6, 1984.
 Tandy 200 1985.
 General Corp. 4400 Jan. 14, 1985.
 AVAL TM Advertisement Feb. 11, 1985.
 Picture #J60007802 Feb. 26, 1985.
 AVAL TM20 Mar. 8, 1985.
 Tandy 200 Mar. 16, 1985.
 NEC Starlet PC-8401A Brochure Mar. 28, 1985.
 C & D News Mar. 29, 1985.
 Hewlett-Packard HP110 Apr. 1985.
 Fujitsu FM 16 Apr. 17, 1985.
 Fujitsu FM16 TL Brochure May 22, 1985.
 Data General One Brochure May 23, 1985.
 Toshiba T 1100 Plus Jul. 22, 1985.
 Minato Electronics MODS-5000 Aug. 22, 1985.
 GridCase Brochure Sep. 24, 1985.
 FBS Advertisement Oct. 30, 1985.
 NEC N6919 Model 80/80H Nov. 11, 1985.
 IBM Advertisement Nov. 28, 1985.
 Apple Computer IIC Dec. 1985.
 Hewlett-Packard Portable Plus Dec. 1985.
 FLM-700 Jan. 31, 1986.
 Fujitsu FM 16 May 21, 1986.
 PC-816F Advertisement May 27, 1986.
 Zenith Data Systems NEWSDATE Newsletter Jun. 7, 1986.
 Tandy 600 Advertisement Jul. 25, 1986.
 Ricoh JP70D Brochure Sep. 29, 1986.
 Data General One Brochure Oct. 3, 1986.
 Article re IBM Portable Personal Computer Oct. 15, 1986.
 NEC PC 14 98LT Advertisement Oct. 23, 1986.
 Yaskawa P-t50 Advertisement Nov. 12, 1986.
 Yaskawa Memocon ®-SC GL20 Advertisement Mar. 27, 1987.
 TI Advertisement in Telephony Apr. 1, 1987.
 Data General One Model 2J Brochure May 20, 1987.
 Hitachi B16LX Brochure Aug. 31, 1987.
 Ricoh Brochure Sep. 17, 1987.
 Sony Produce 100 Brochure Sep. 18, 1987.
 Panasonic FW-U1EX Advertisement Oct. 2, 1987.
 Nihon IBM 55 Model 5535 Oct. 19, 1987.
 NEC Minitel 5 Advertisement Oct. 29, 1987.
 Rein Laptop 300 SLC Advertisement Oct. 29, 1987.
 IBM 5540/5535 Brochure Nov. 4, 1987.
 NEC PC-9800 Advertisement Nov. 27, 1987.
 Panasonic UIEX Advertisement Dec. 8, 1987.
 Schneider Multivision 300 SLC Catalog 1988.
 Panasonic U1Pro Jan. 4, 1988.
 Diagnostic Products Review Jan. 2, 1988.
 Toshiba E & E News Feb. 26, 1988.
 Seiko-Epson PC-286L Mar. 2, 1988.
 Toshiba JW90FII Rupo Brochure Mar. 3, 1988.
 Hitachi B16LX Brochure Apr. 5, 1988.
 Sony Produce PJ-100EX Brochure Apr. 5, 1988.
 WS Japanese Advertisement Apr. 27, 1988.
 NEC Multispeed Spring 1988.
 Samsung S5200 May 10, 1988.
 Datavue Snap 1+1 May 10, 1988.
 Portable Computer Review, p. 32 May 10, 1988.
 GridCase 1530 Advertisement May 10, 1988.
 NEC MultiSpeed EL Model 2 Brochure May 10, 1988.
 Sharp PC-5000 Brochure May 12, 1988.
 Japanese Advertisement May 12, 1988.
 Sanyo ES 100 May 13, 1988.
 NEC PC-9801 LV 21 Brochure May 13, 1988.
 Sharp WV-500 May 19, 1988.
 Panafacom C-250 LT Brochure May 19, 1988.
 Kyosera 386AX Sep. 1988.
 NEC PC-9801 Oct. 26, 1988.
 Sanyo MBC-17LTJ Oct. 1988.
 Toshiba T 1600 Nov. 1988.
 Sanyo MBC 17LTJH Nov. 28, 1988.
 Oki "IF 386 AX" Dec. 9, 1988.
 Kyosera 386-SX Laptop AX Jan. 10, 1989.
 Seiko-Epson PC-286LS Feb. 16, 1989.
 NEC PC-9801 LV21 May 13, 1989.
 Fujitsu G-150LT May 19, 1989.
 Visual Computer Brochure Undated.
 Gavilan Mobile Computer Brochure Undated.
 Olivetti Personal Computer M15 Brochure Undated.
 Epson HC-88, HC80 Brochure Undated.
 Epson PX-8 Personal Computer Brochure Undated.
 Mitsubishi mp286L Laptop Personal Computer Brochure Undated.
 Grid Brochure Undated.
 Dauphin Laptop Computer Brochure Undated.
 MicroDIRECT Brochure Undated.
 SuperSport Brochure Undated.
 Panasonic KX-4930 Advertisement Undated.
 Ampere WS-1 Advertisement Undated.
 NEC Contrast Undated.
 NEC Starlet PC-8401A Advertisement Undated.
 Victor Technologies, V 286 P Catalog Undated.
 Chaplet HALIKAN LA-22 Apr. 21, 1989.
 Sharp AX286L Sep. 29, 1988.
 NEC PC-9801 LX5C Aug. 23, 1988.

FIG. 1

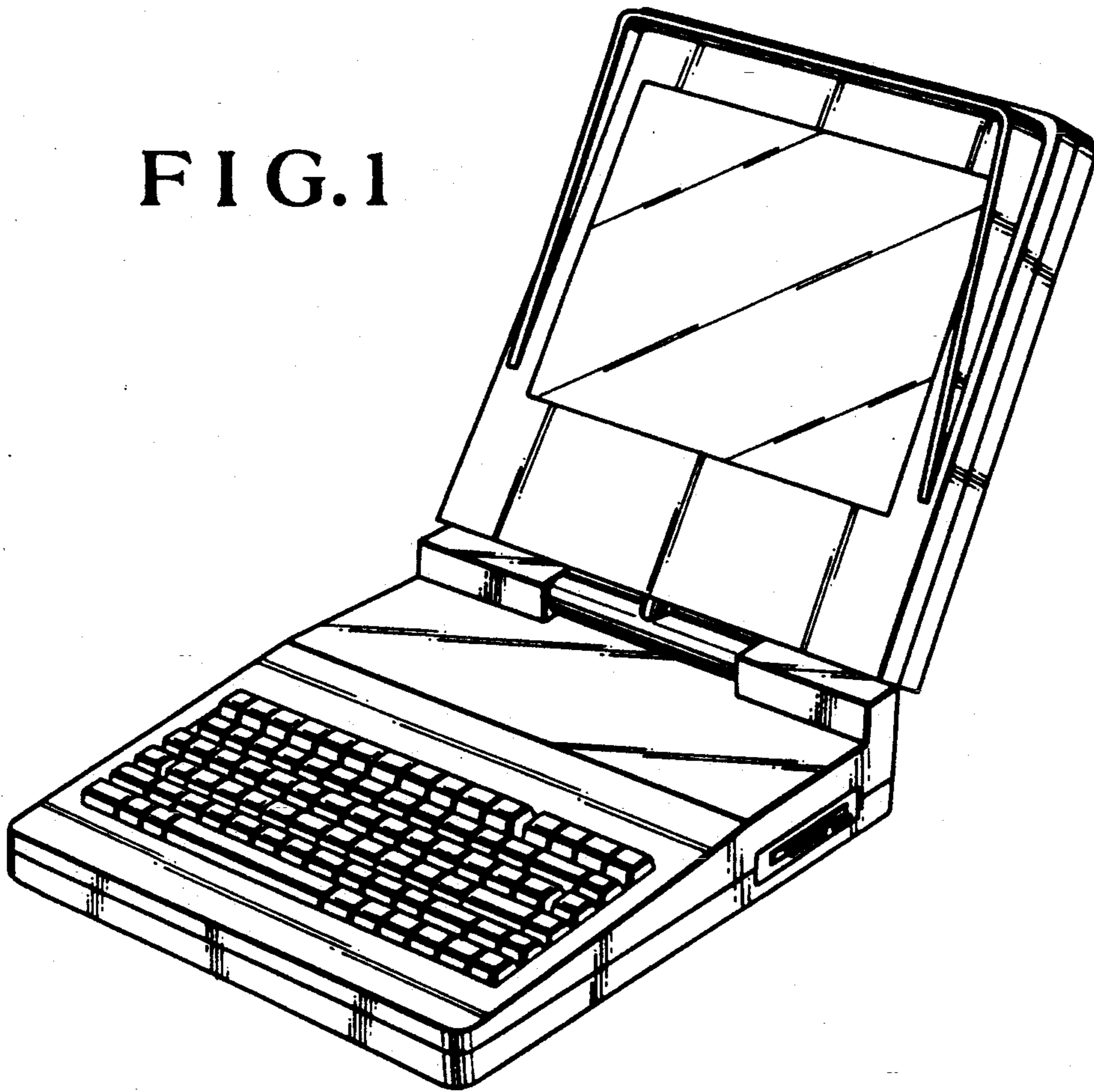


FIG. 2

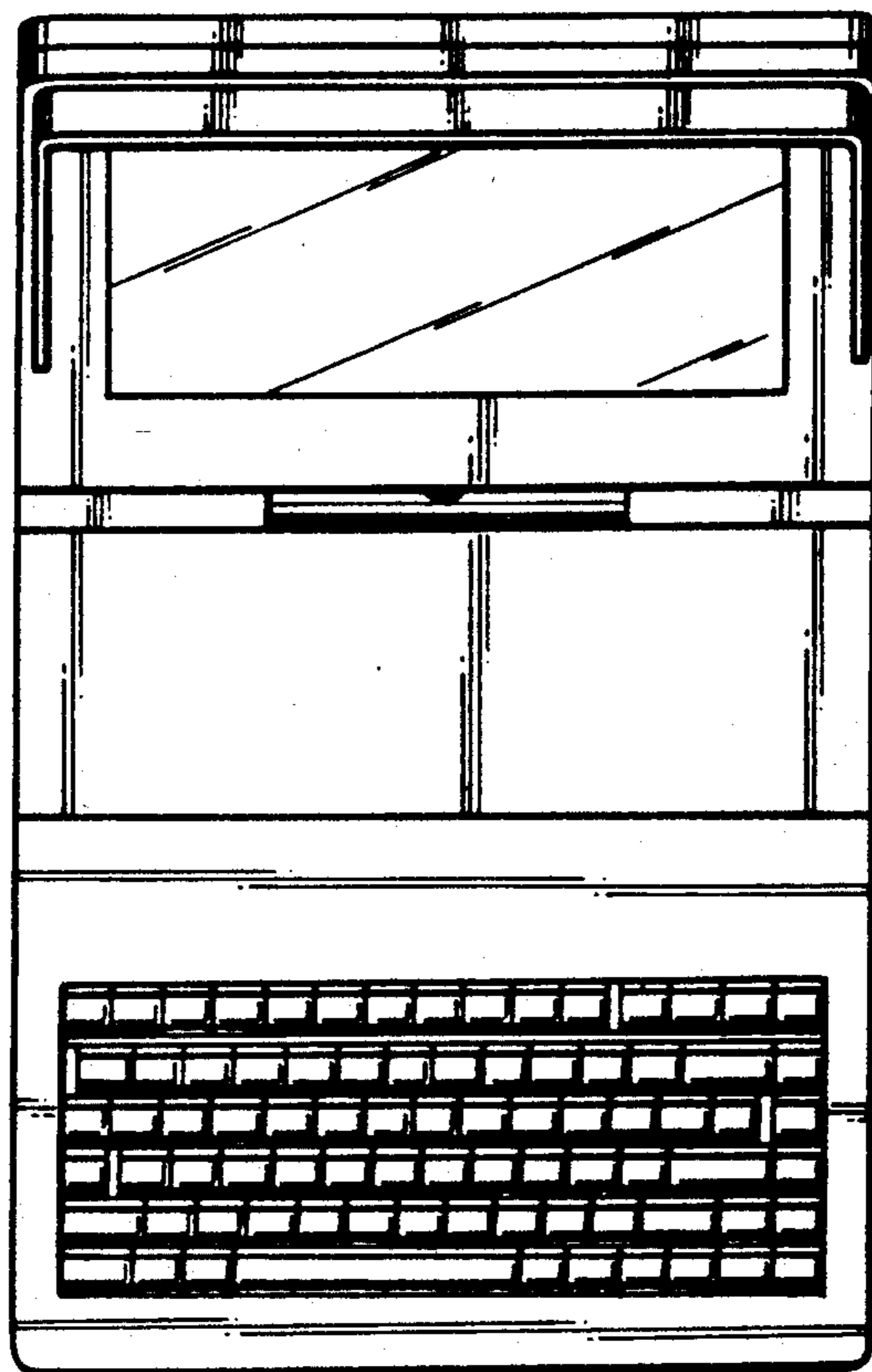


FIG.3

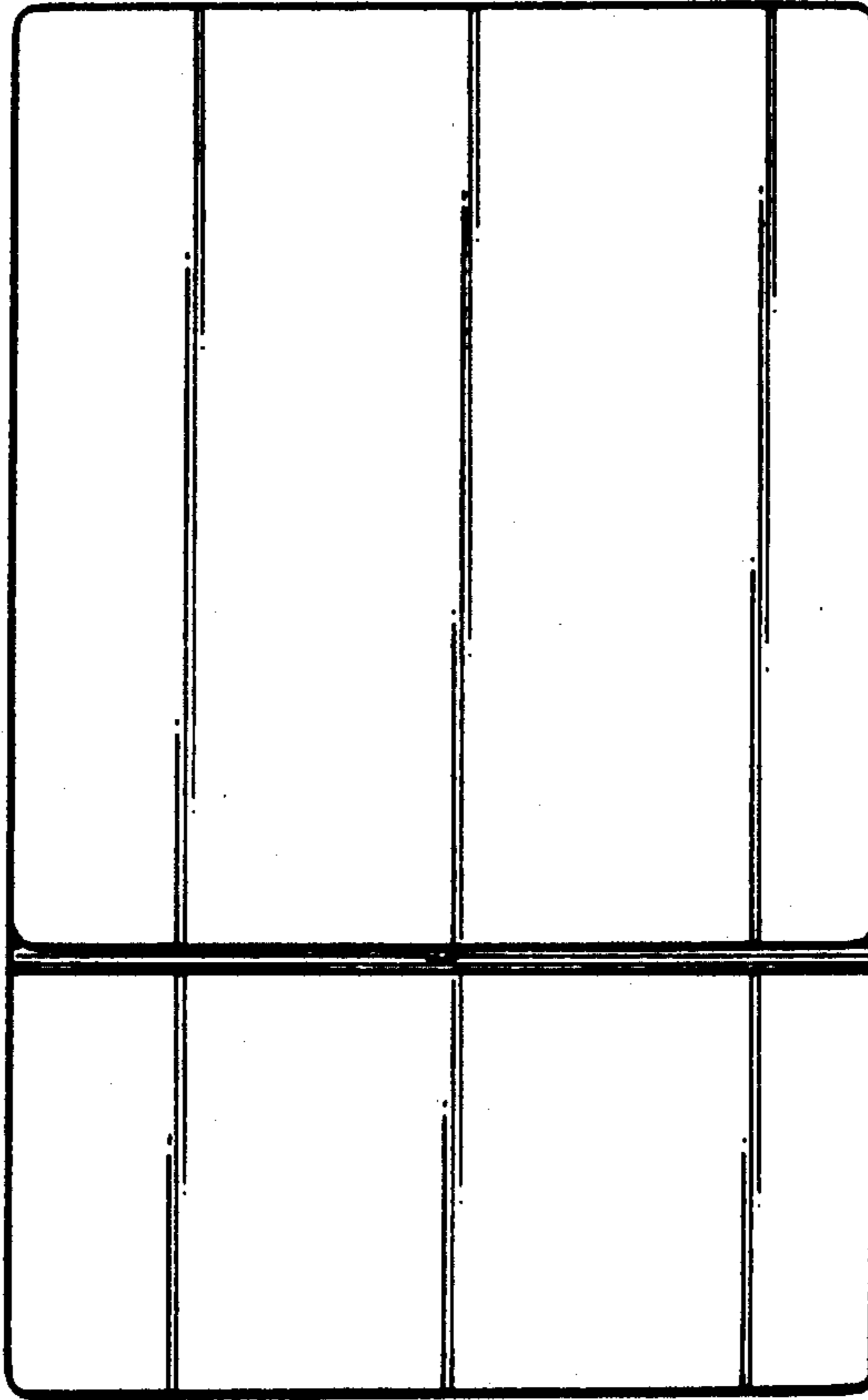


FIG.4

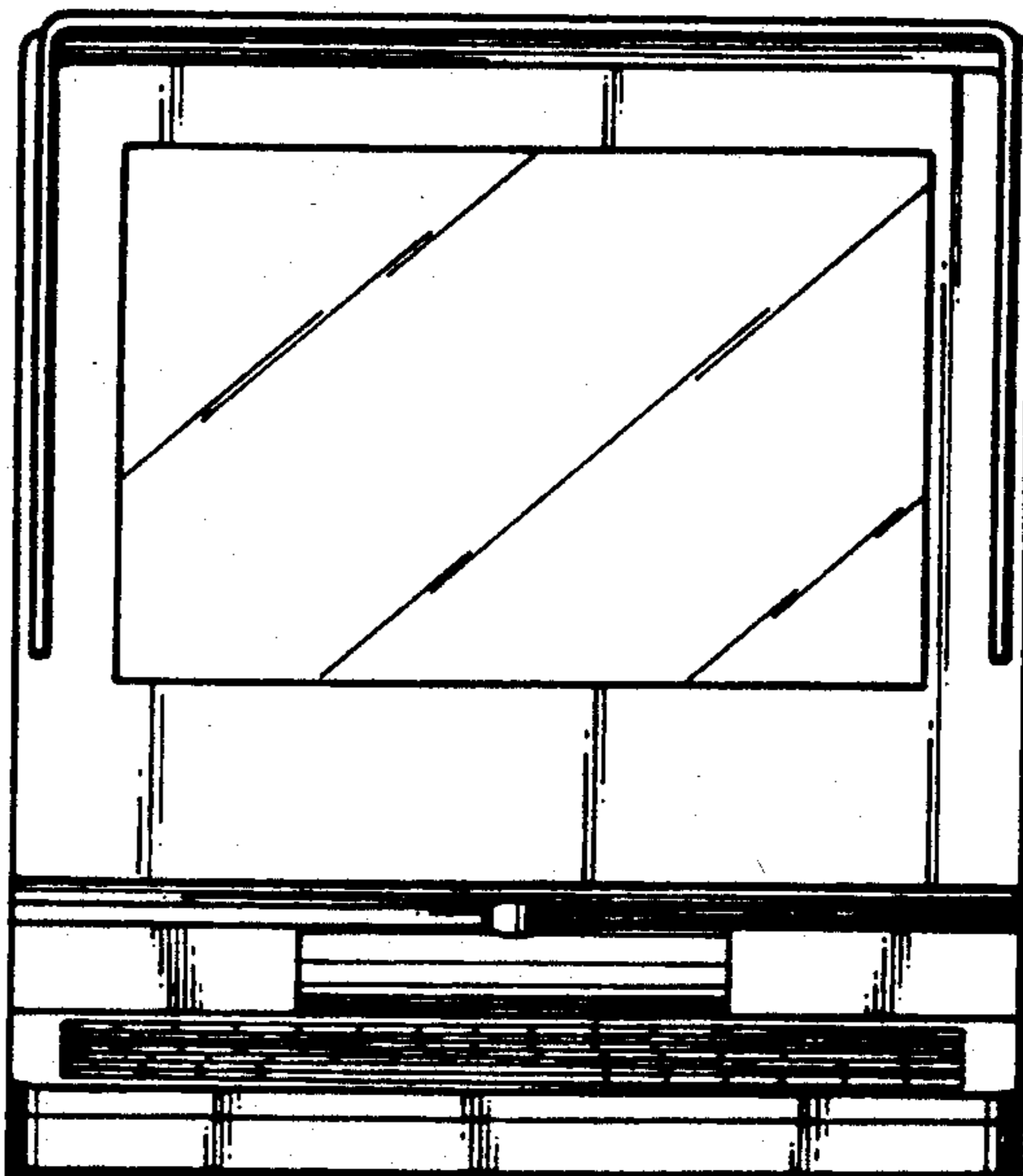


FIG.5

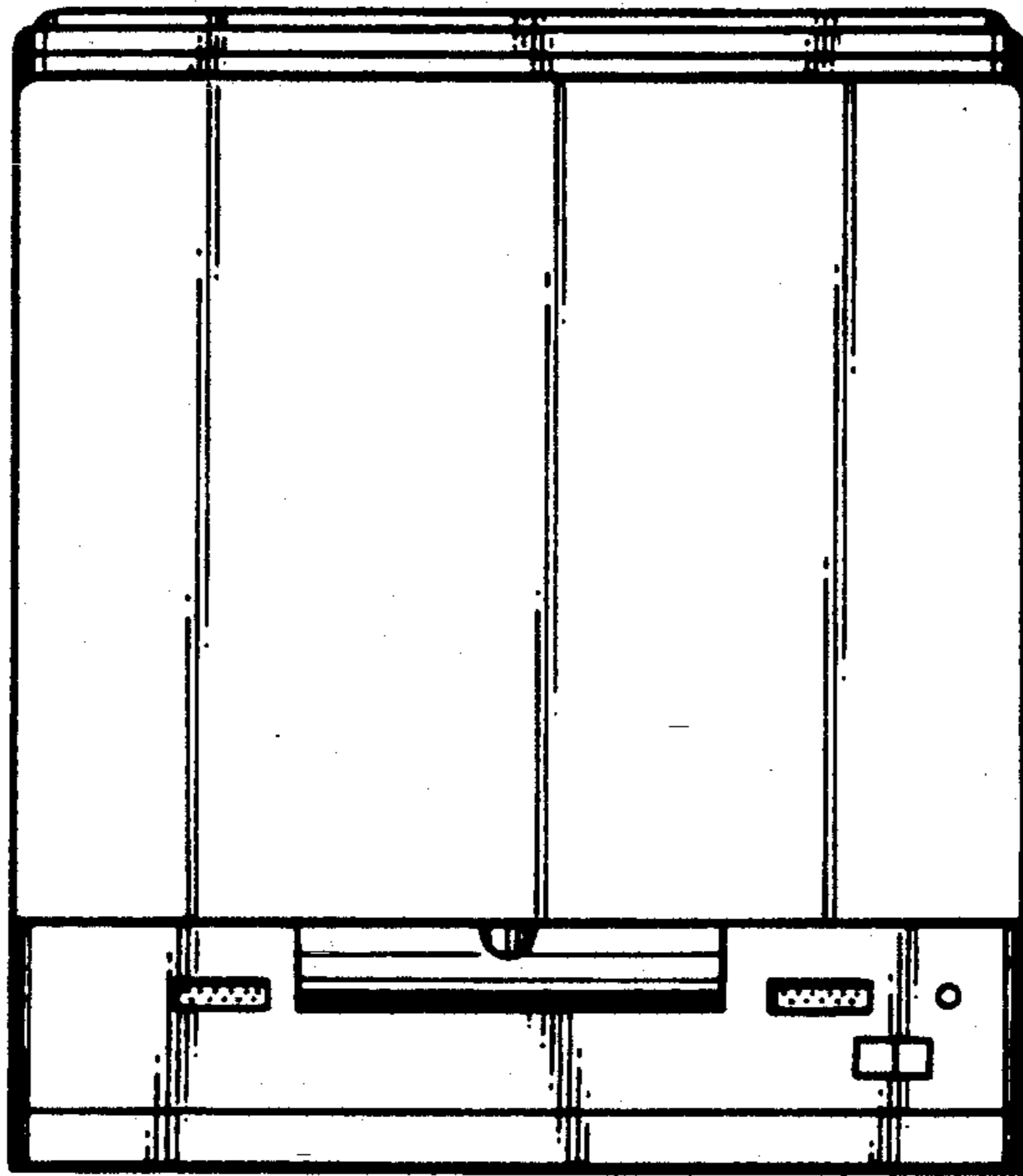


FIG.6

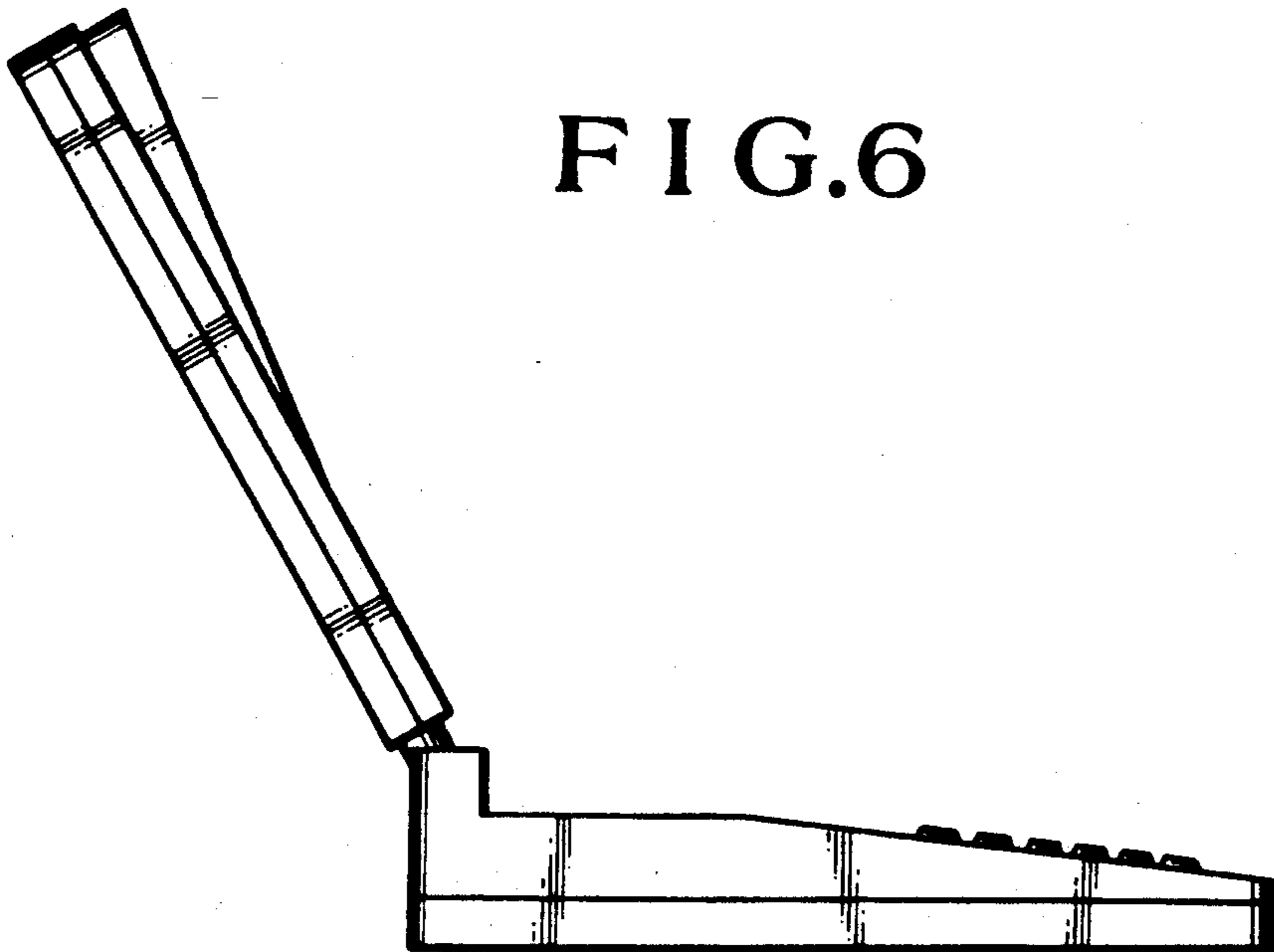


FIG.7

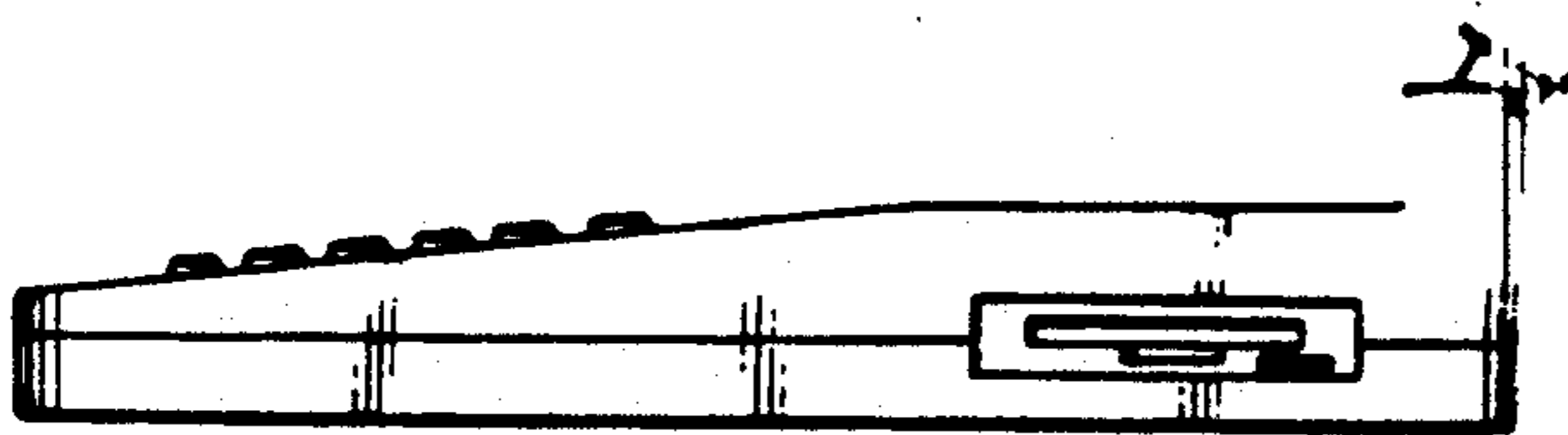


FIG.8

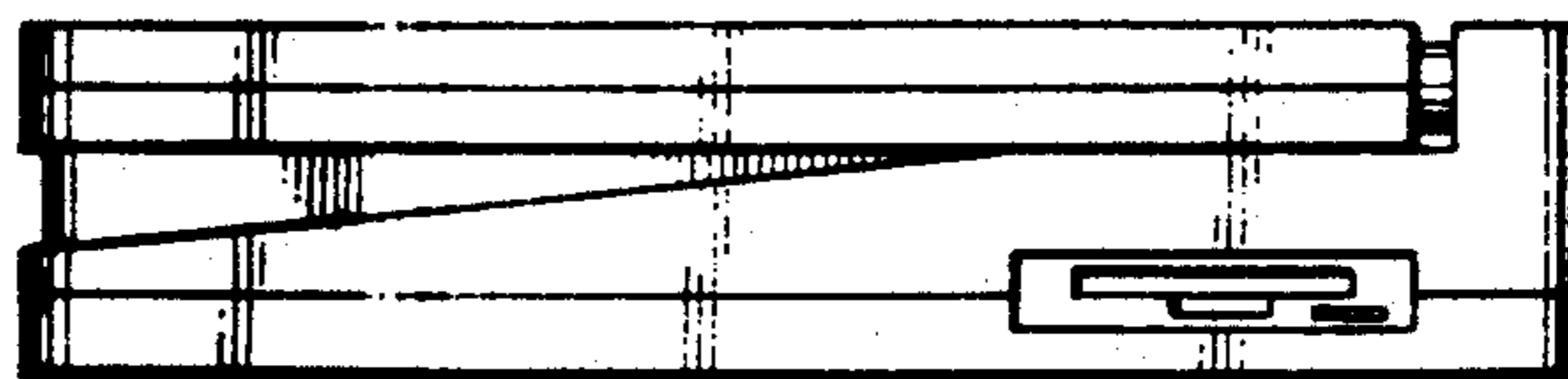


FIG.9

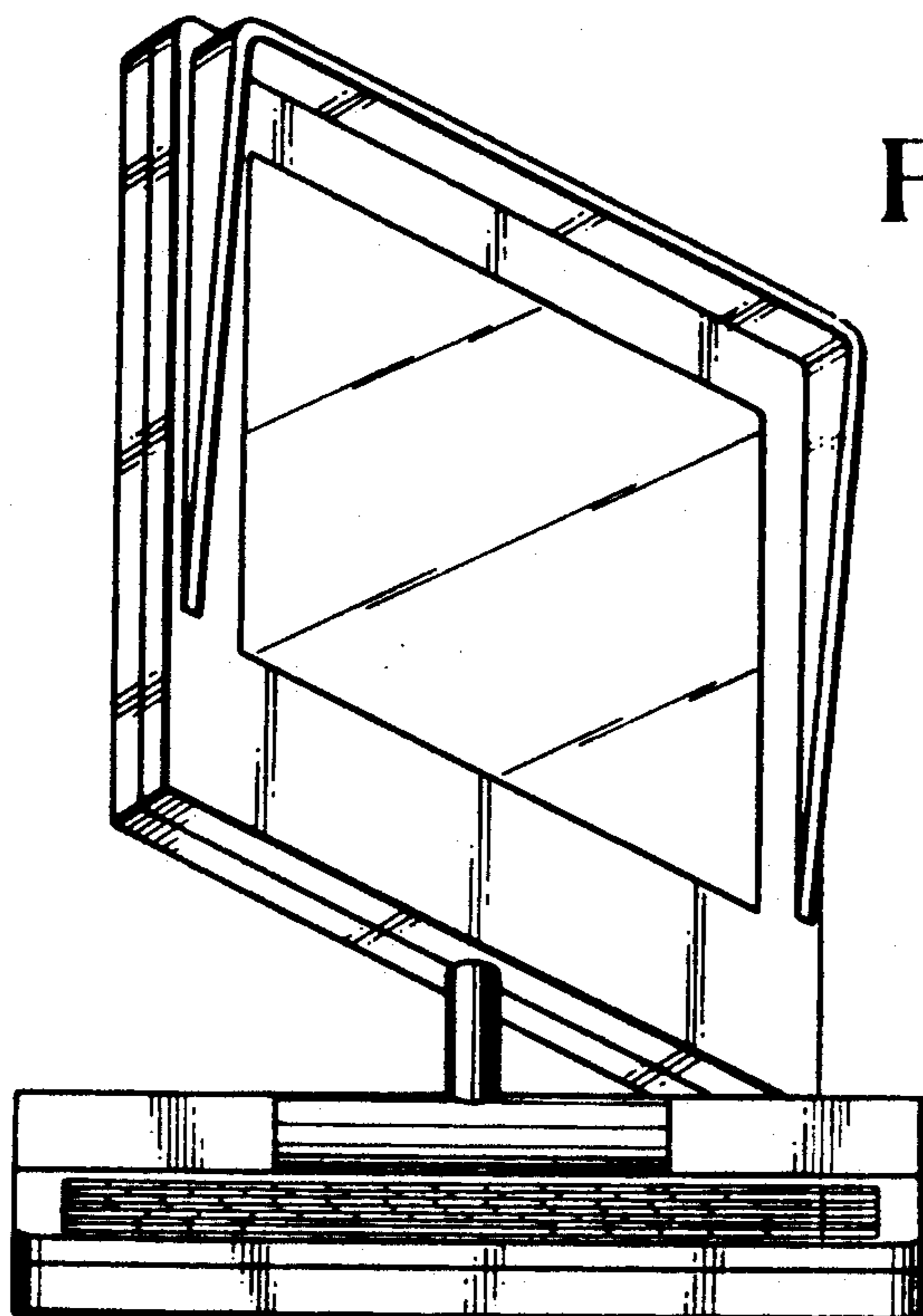


FIG. 10



FIG. 11

