



US00D338878S

United States Patent [19]

[11] Patent Number: **Des. 338,878**

Savio

[45] Date of Patent: **** Aug. 31, 1993**

[54] COUNTERTOP PROCESSOR

[75] Inventor: **Dino M. Savio**, Clearwater, Fla.

[73] Assignee: **International Business Machines Corporation**, Armonk, N.Y.

[**] Term: **14 Years**

[21] Appl. No.: **1,144**

[22] Filed: **Oct. 23, 1992**

D. 310,212	8/1990	Forsythe	D14/106
D. 319,251	8/1991	Ishida et al.	D18/4
D. 320,036	9/1991	Chen	D18/4
5,113,060	5/1992	Wike, Jr. et al.	235/383

OTHER PUBLICATIONS

Office Products May 1979, p. 88 Electronic Cash Register.

Primary Examiner—Wallace R. Burke

Assistant Examiner—Freda S. Nunn

Attorney, Agent, or Firm—Romualdas Strimaitis

Related U.S. Application Data

[62] Division of Ser. No. 524,761, May 15, 1990.

[52] U.S. Cl. **D14/105; D18/4**

[58] Field of Search D14/100, 101, 105, 106, D14/107, 113, 115; D18/1, 4, 7; 235/145 A, 145 R, 2, 6, 7 R, 383; 364/405, 706-708; 340/700, 706; 341/22, 23; 361/390; 194/205

[57] CLAIM

The ornamental design for countertop processor, as shown and described.

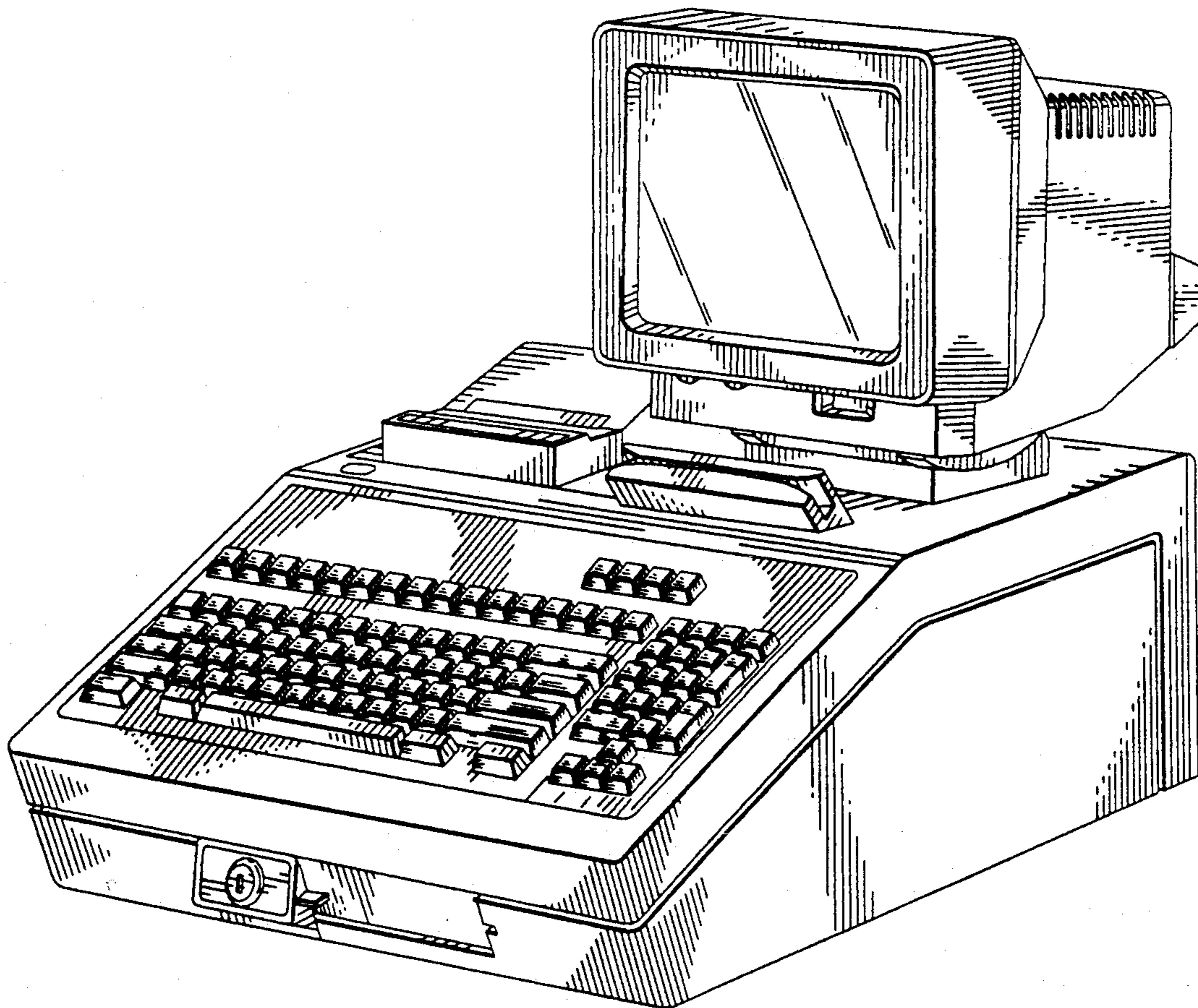
[56] References Cited

U.S. PATENT DOCUMENTS

D. 260,990	9/1981	Williams	D14/105
D. 269,623	7/1983	Kato et al.	D14/105 X
D. 303,537	9/1989	Kato et al.	D18/4
D. 304,444	11/1989	Ikeya	D14/105
D. 308,857	6/1990	Bianco	D14/100

DESCRIPTION

FIG. 1 is a right front perspective view of a countertop processor showing my new design;
 FIG. 2 is a left front perspective view thereof;
 FIG. 3 is a left rear perspective view thereof;
 FIG. 4 is a right rear perspective view thereof;
 FIG. 5 is a right side view thereof;
 FIG. 6 is a front view thereof;
 FIG. 7 is a left side view thereof; and,
 FIG. 8 is a rear view thereof.
 FIGS. 5-8 are drawn on a slightly enlarged scale.



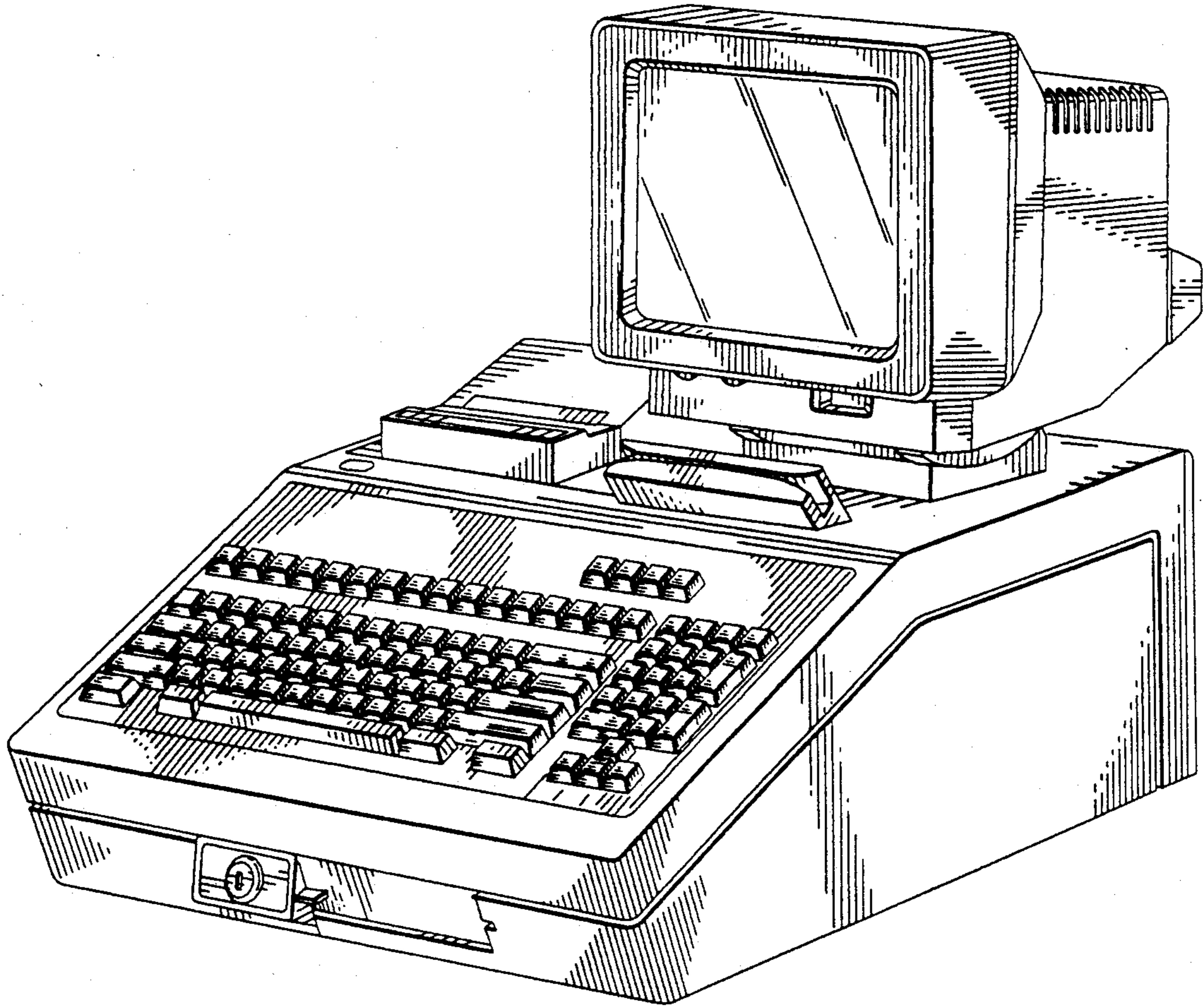


FIG. 1

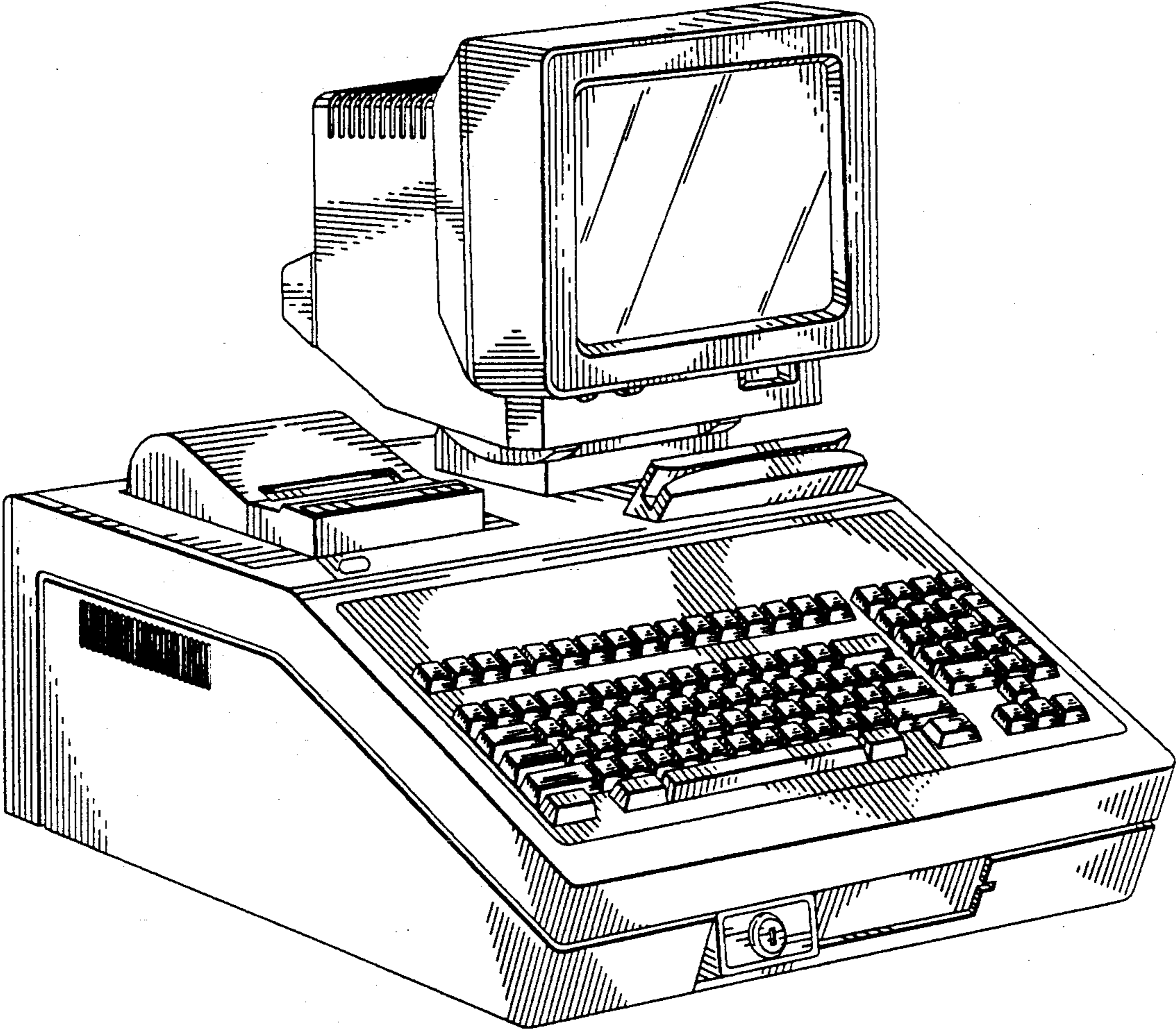


FIG. 2

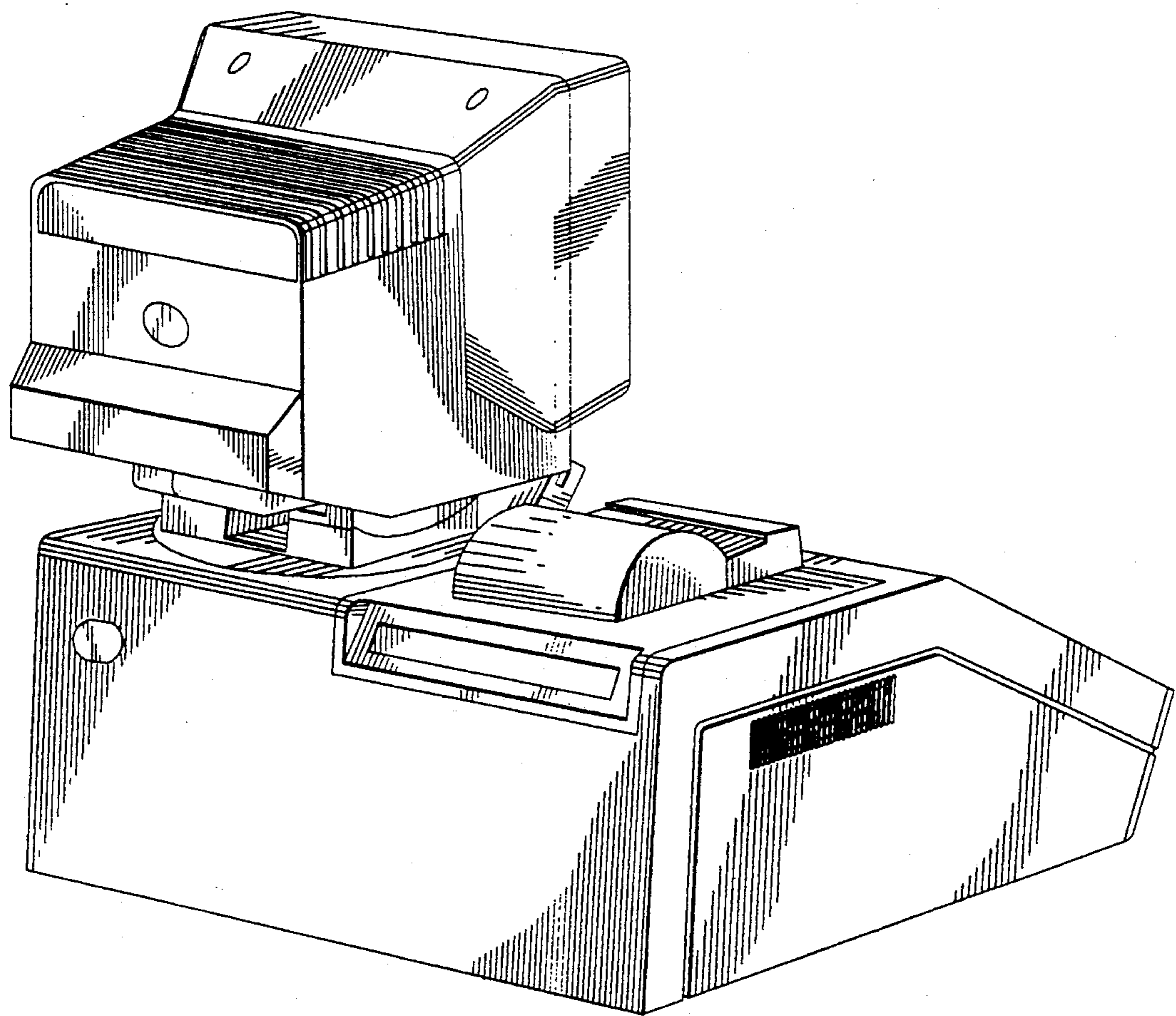


FIG. 3

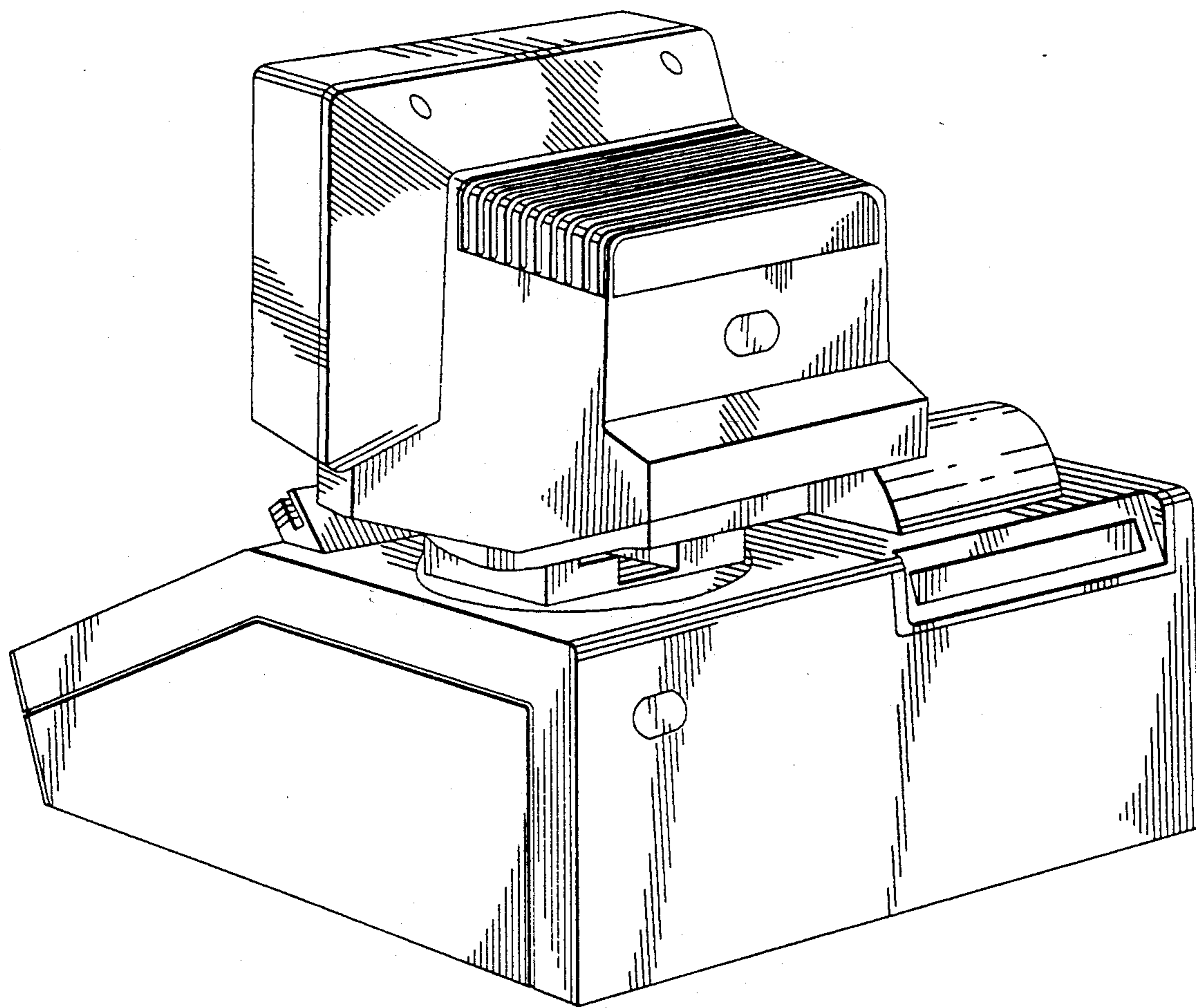


FIG. 4

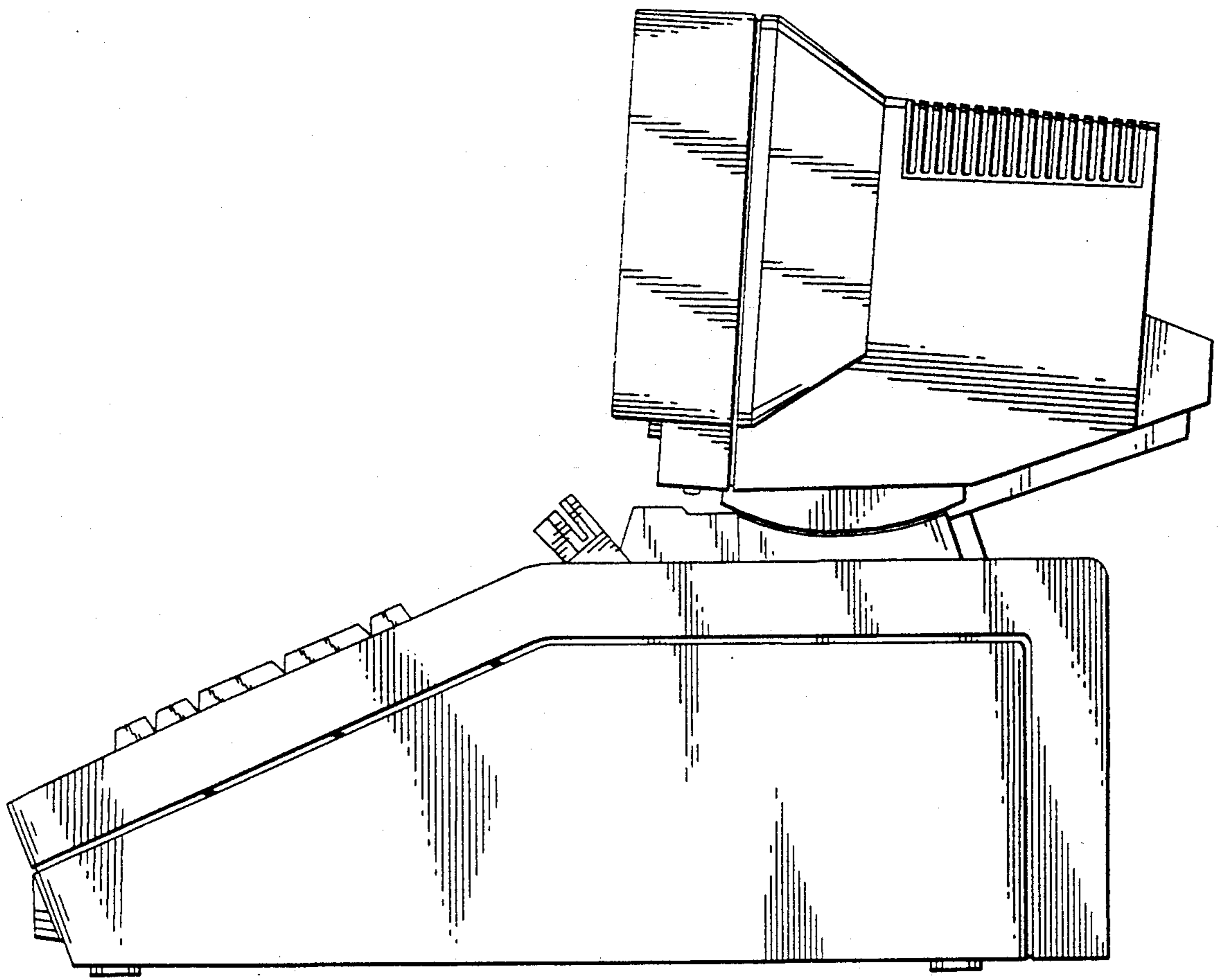


FIG. 5

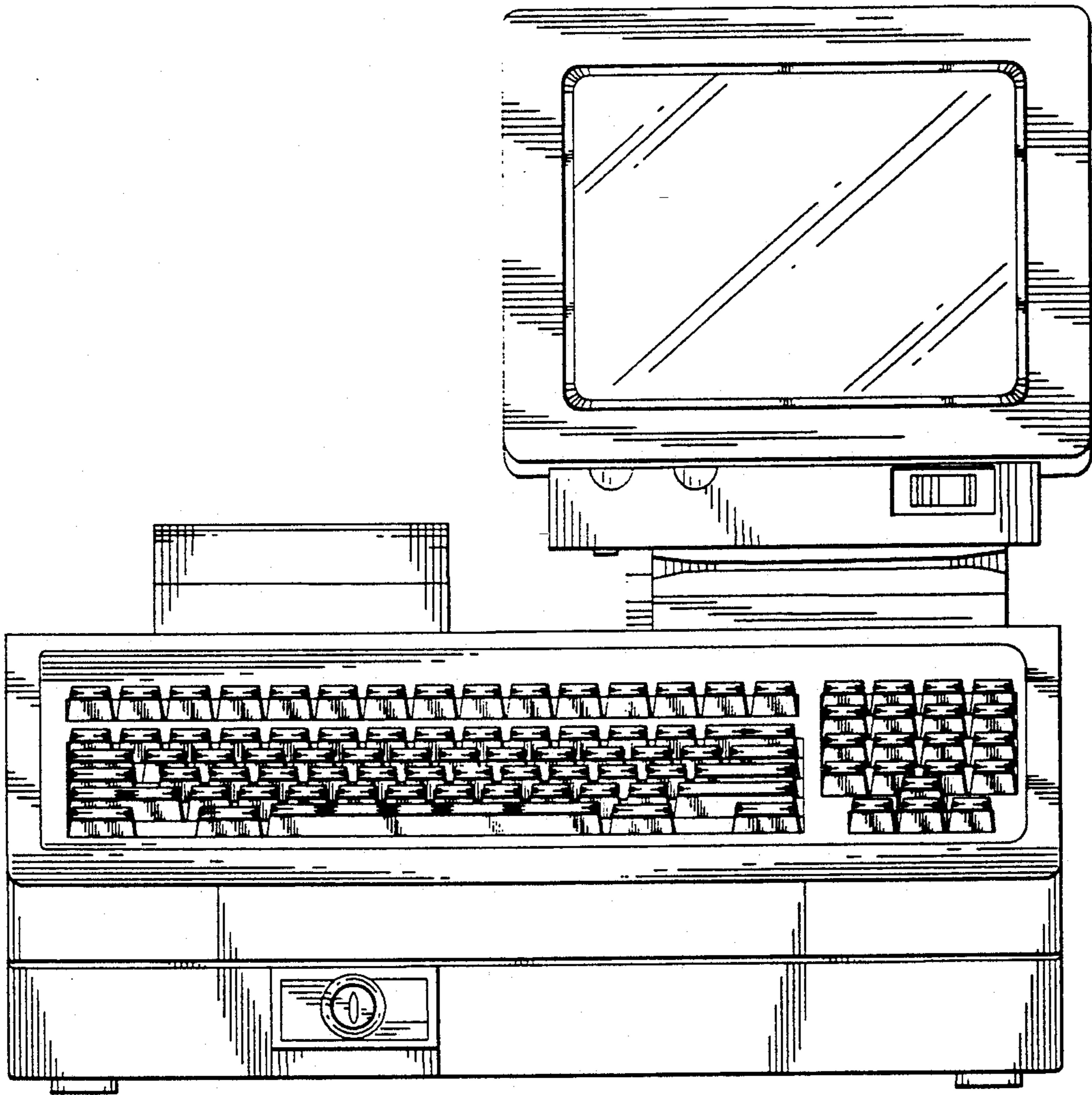


FIG. 6

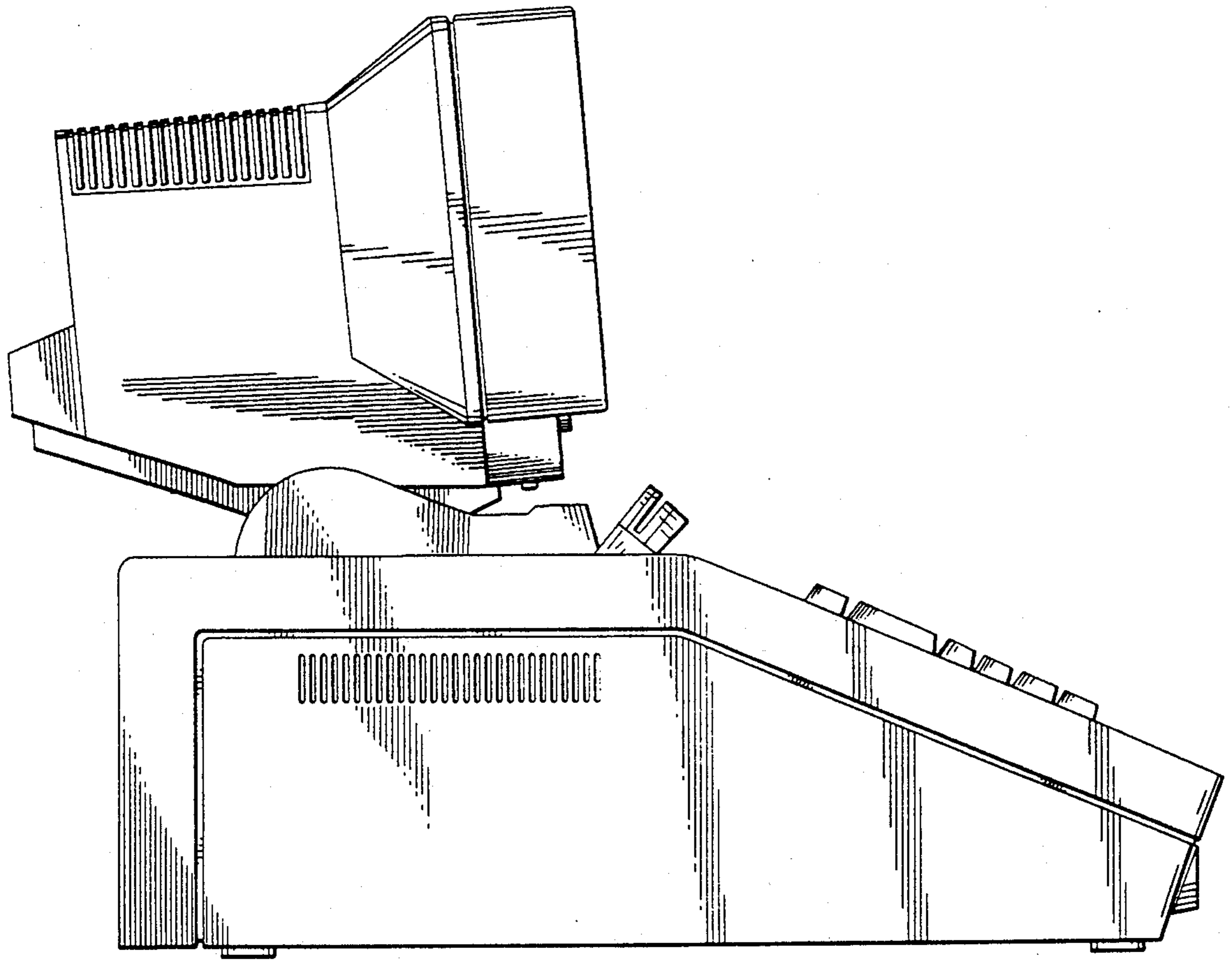


FIG. 7

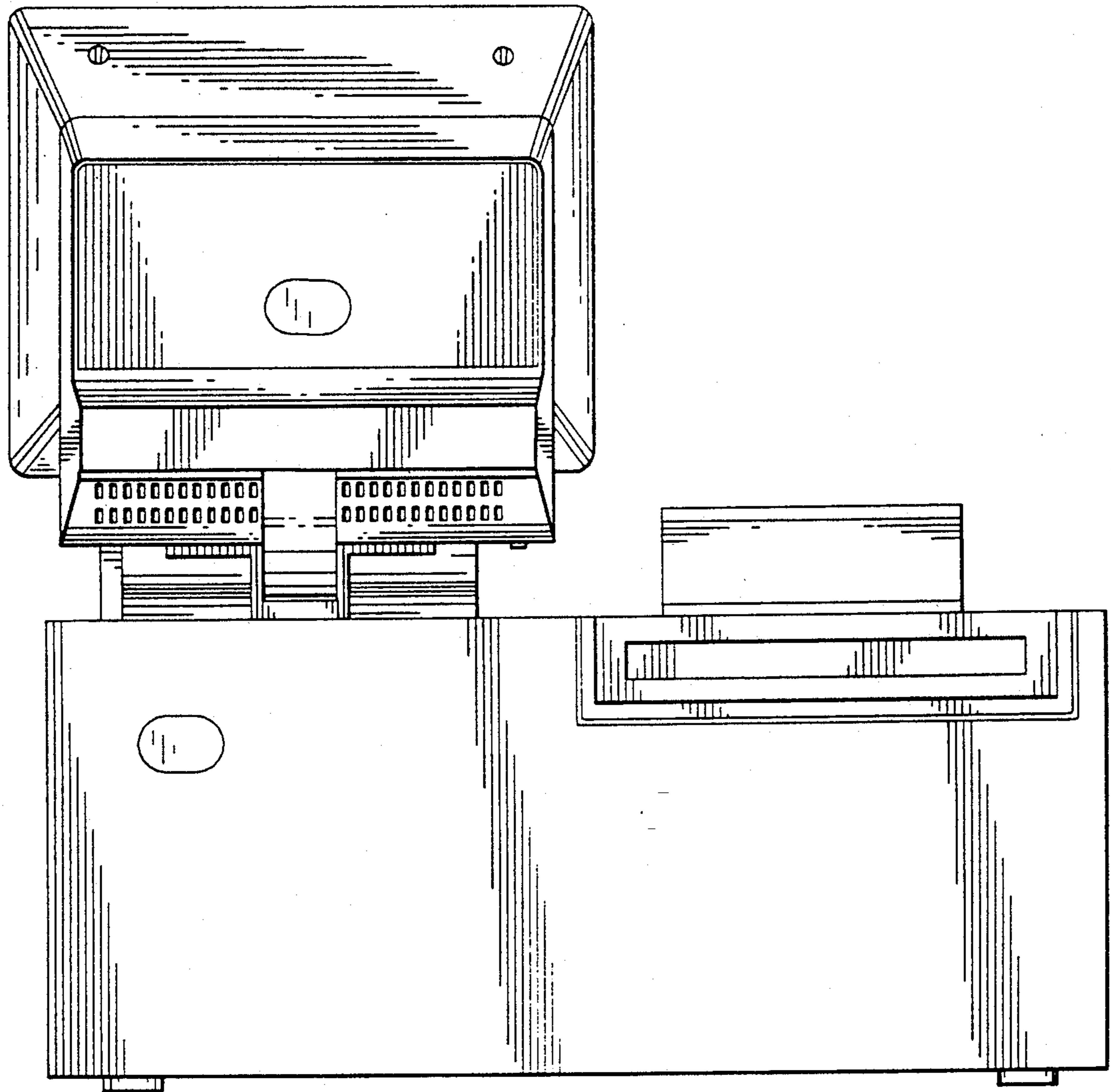


FIG. 8