



US00D338877S

# United States Patent [19]

[11] Patent Number: **Des. 338,877**

Savio

[45] Date of Patent: **\*\* Aug. 31, 1993**

- [54] **COUNTERTOP PROCESSOR**
- [75] Inventor: **Dino M. Savio, Clearwater, Fla.**
- [73] Assignee: **International Business Machines Corporation, Armonk, N.Y.**
- [\*\*] Term: **14 Years**
- [21] Appl. No.: **1,142**
- [22] Filed: **Oct. 23, 1992**

- D. 310,212 8/1990 Forsythe ..... D14/106
- D. 319,251 8/1991 Ishida et al. .... D18/4
- D. 320,036 9/1991 Chen ..... D18/4
- 5,113,060 5/1992 Wilke, Jr. et al. .... 235/383

### OTHER PUBLICATIONS

Office Products May 1979 p. 88 Electronic Cash Register.

*Primary Examiner*—Wallace R. Burke  
*Assistant Examiner*—Freda S. Nunn  
*Attorney, Agent, or Firm*—Romualdas Strimaitis

### Related U.S. Application Data

- [62] Division of Ser. No. 524,761, May 15, 1990.
- [52] U.S. Cl. .... **D14/105; D18/4**
- [58] Field of Search ..... D14/100, 101, 106, 107, D14/113, 115; D18/1, 4, 7; 235/145 A, 145 R, 2, 6, 7 R, 383; 364/405, 706-708; 340/700, 706; 341/22, 23; 361/390; 194/205

### [57] CLAIM

The ornamental design for countertop processor, as shown and described.

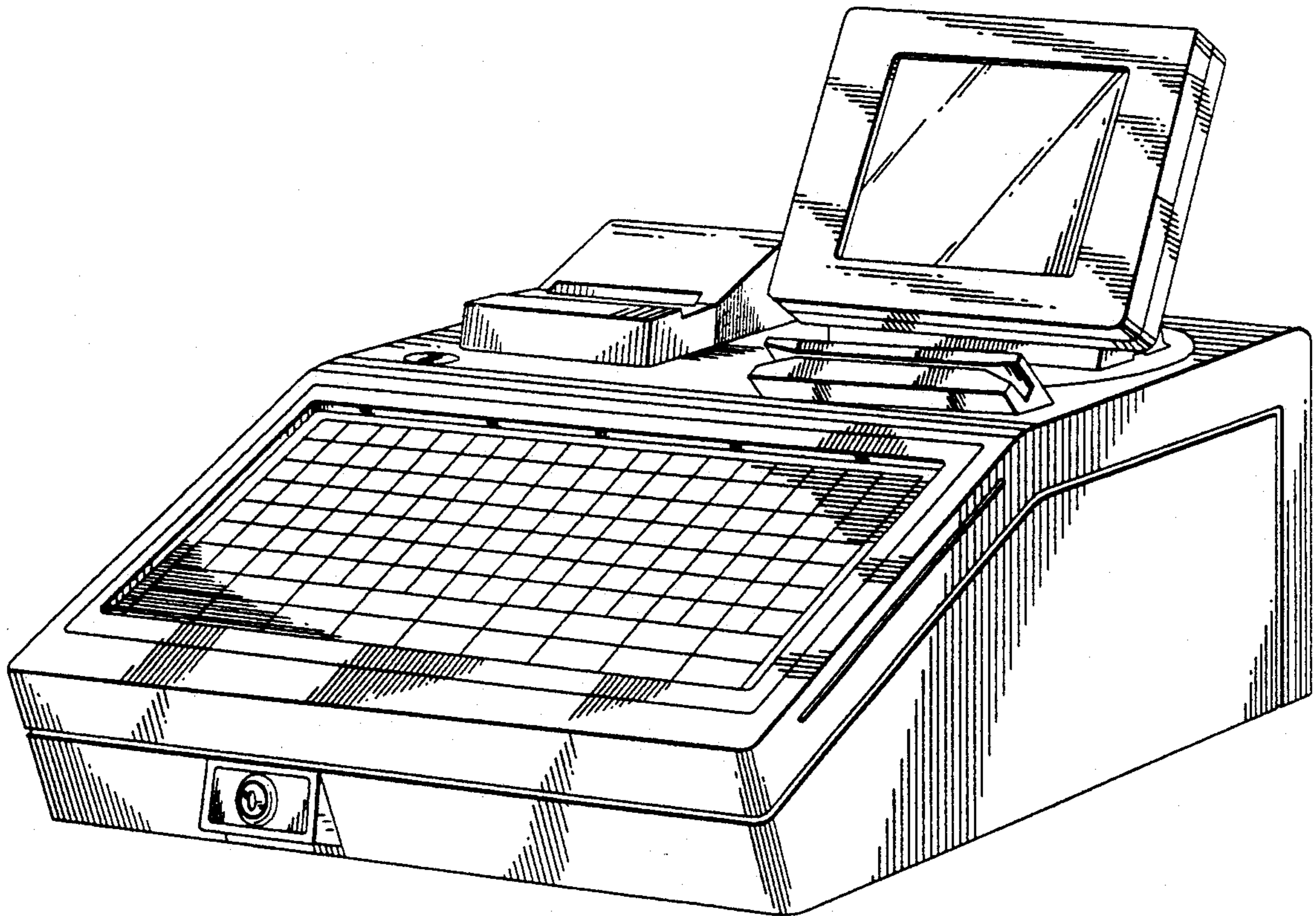
### DESCRIPTION

FIG. 1 is a right front perspective view of a countertop processor showing my new design;  
 FIG. 2 is a left front perspective view thereof;  
 FIG. 3 is a left rear perspective view thereof;  
 FIG. 4 is a right rear perspective view thereof;  
 FIG. 5 is a right side view thereof;  
 FIG. 6 is a front view thereof;  
 FIG. 7 is a left side view thereof; and,  
 FIG. 8 is a rear view thereof.  
 FIGS. 5-8 are drawn on a slightly enlarged scale.

### [56] References Cited

#### U.S. PATENT DOCUMENTS

- D. 260,990 9/1981 Williams ..... D14/105
- D. 269,623 7/1983 Kato et al. .... D14/105 X
- D. 303,537 9/1989 Kato et al. .... D18/4
- D. 304,444 11/1989 Ikeya ..... D14/105
- D. 308,857 6/1990 Bianco ..... D14/100



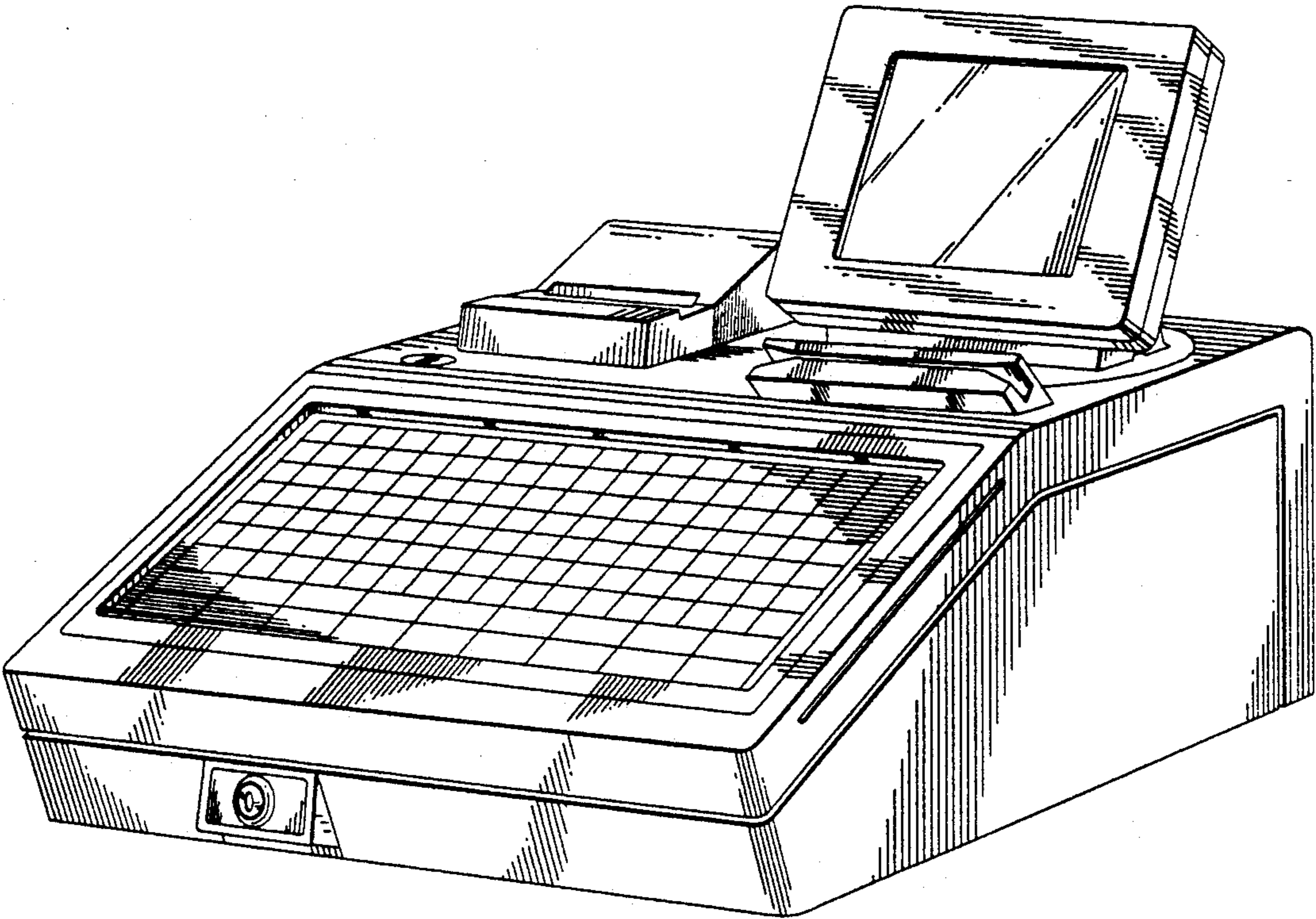


FIG. 1



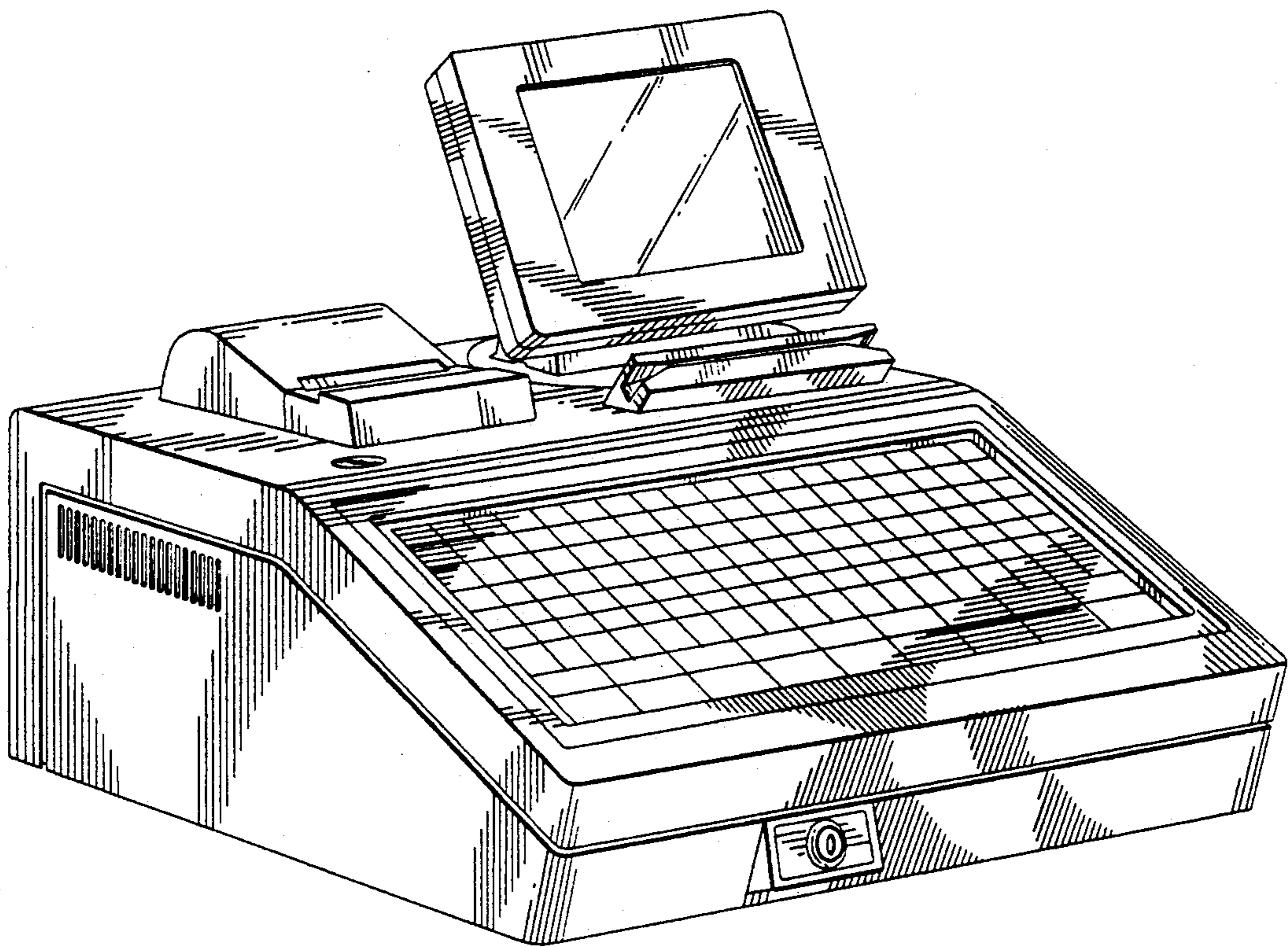


FIG. 2

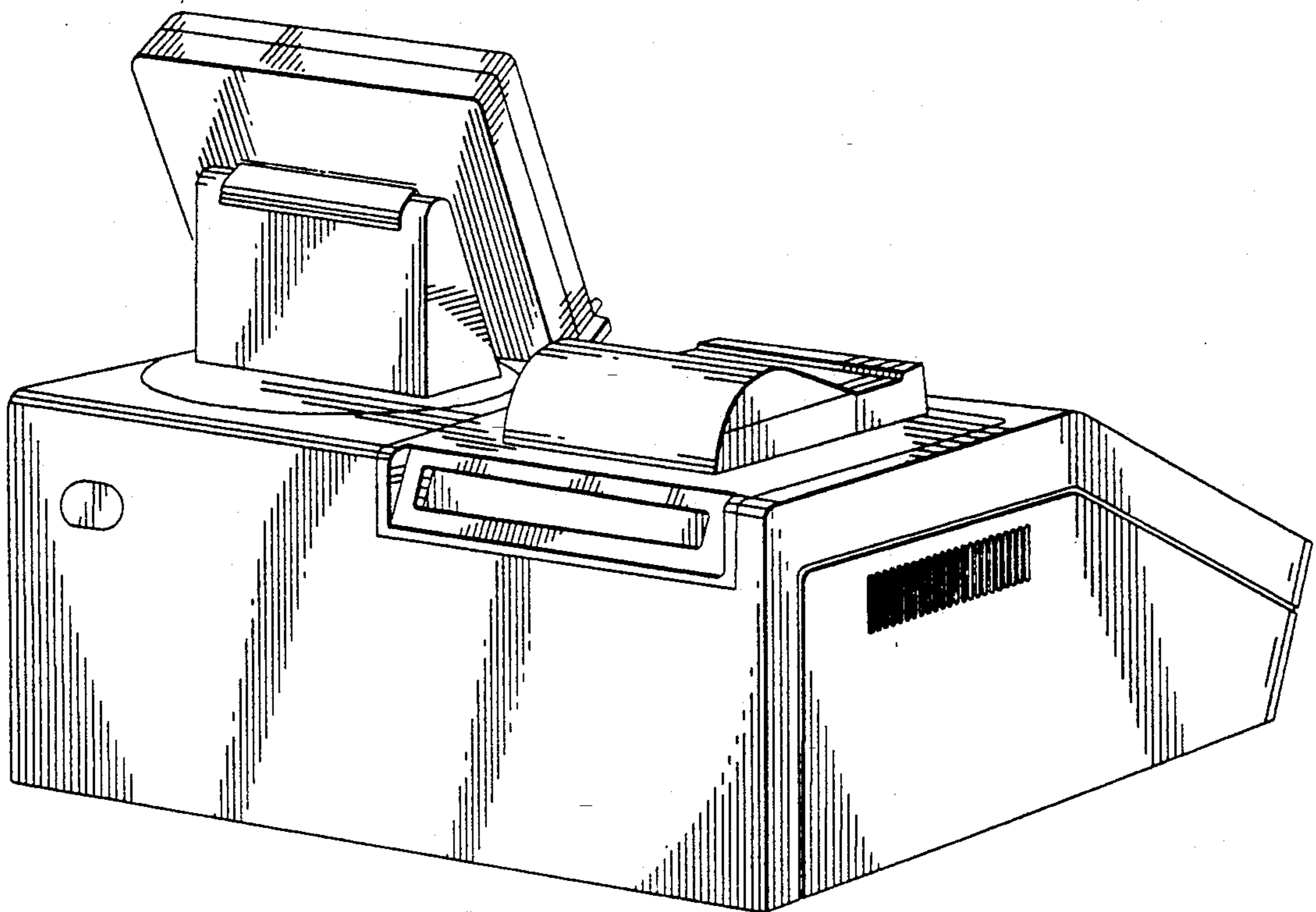


FIG. 3

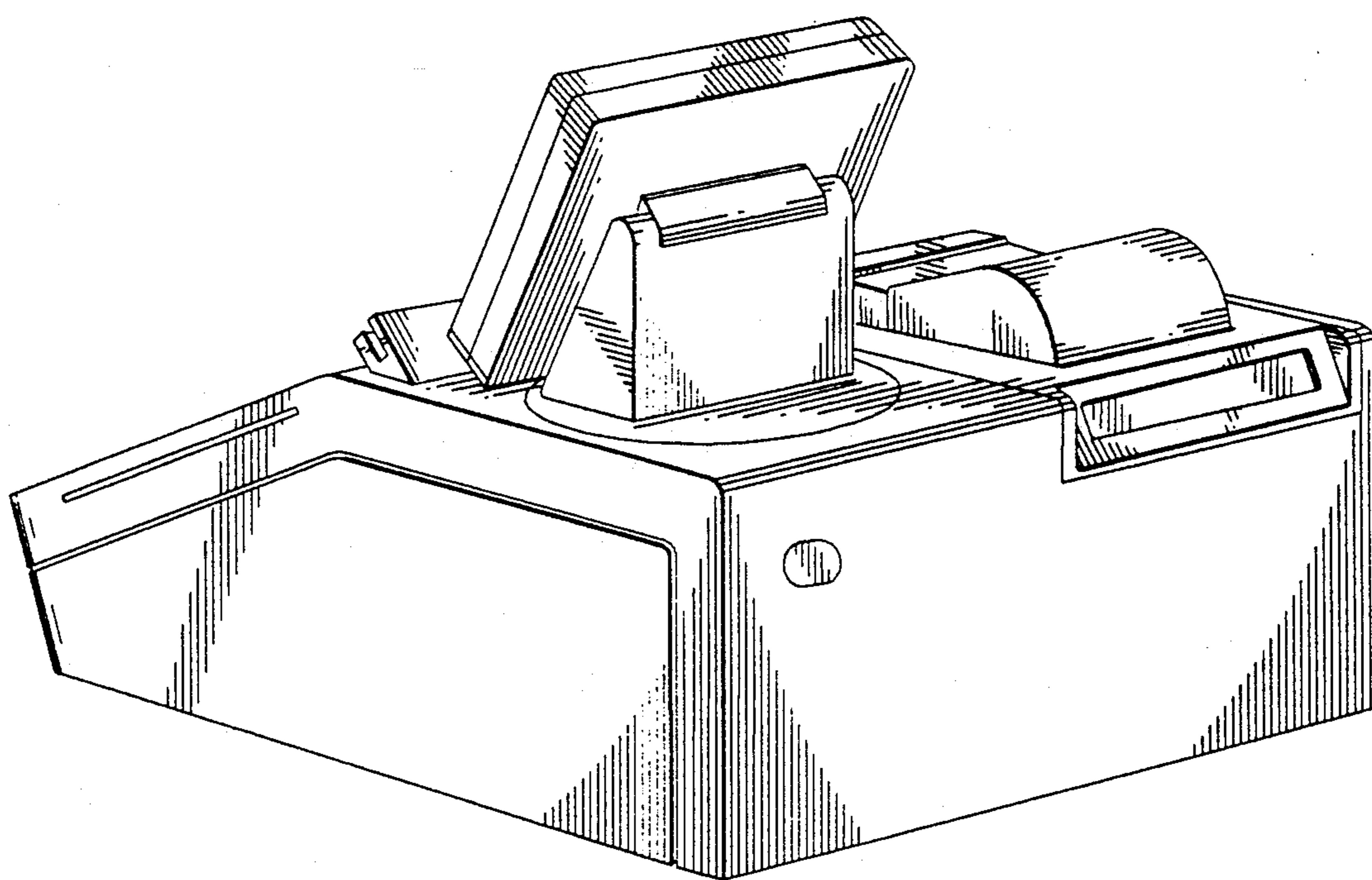


FIG. 4

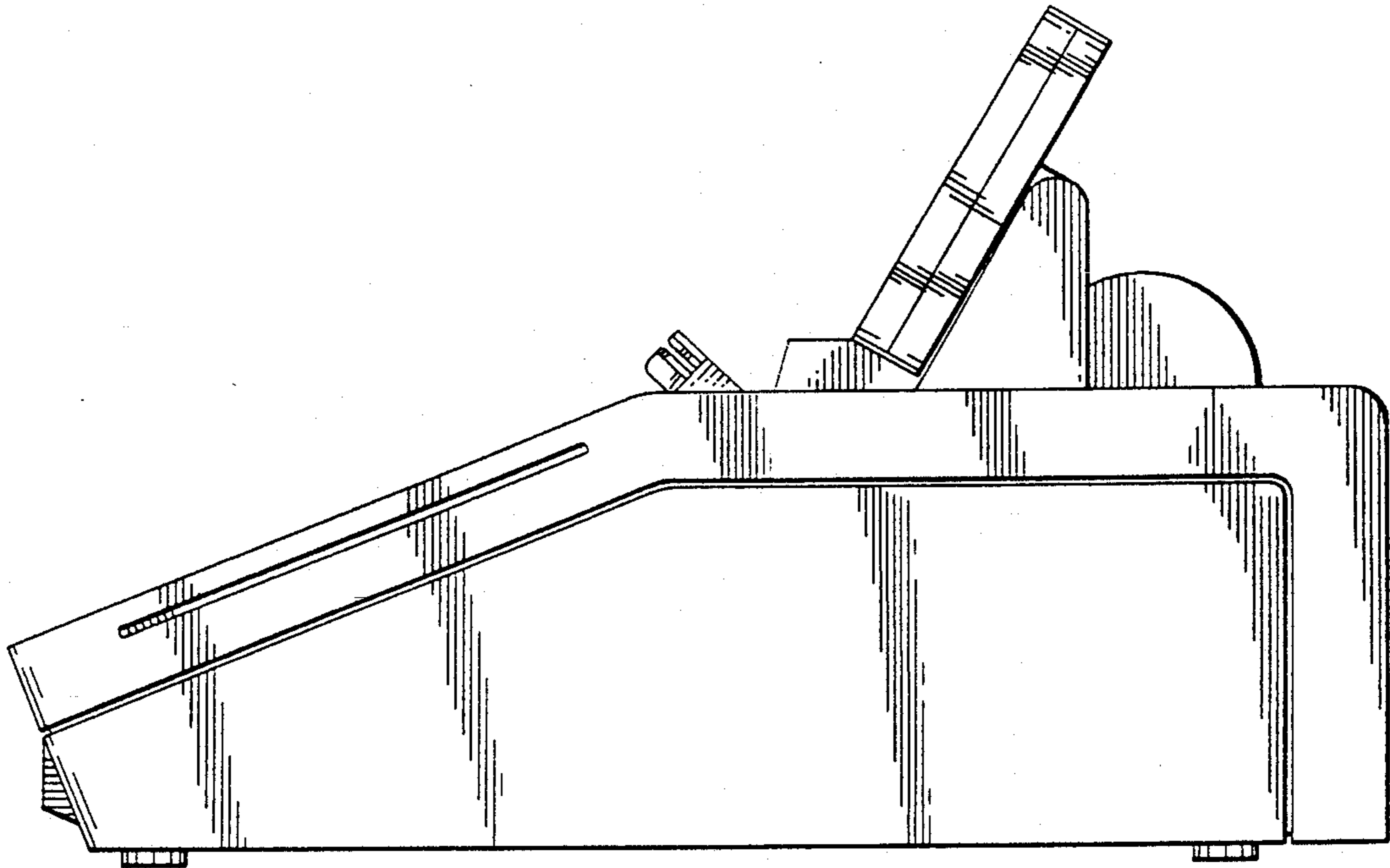


FIG. 5

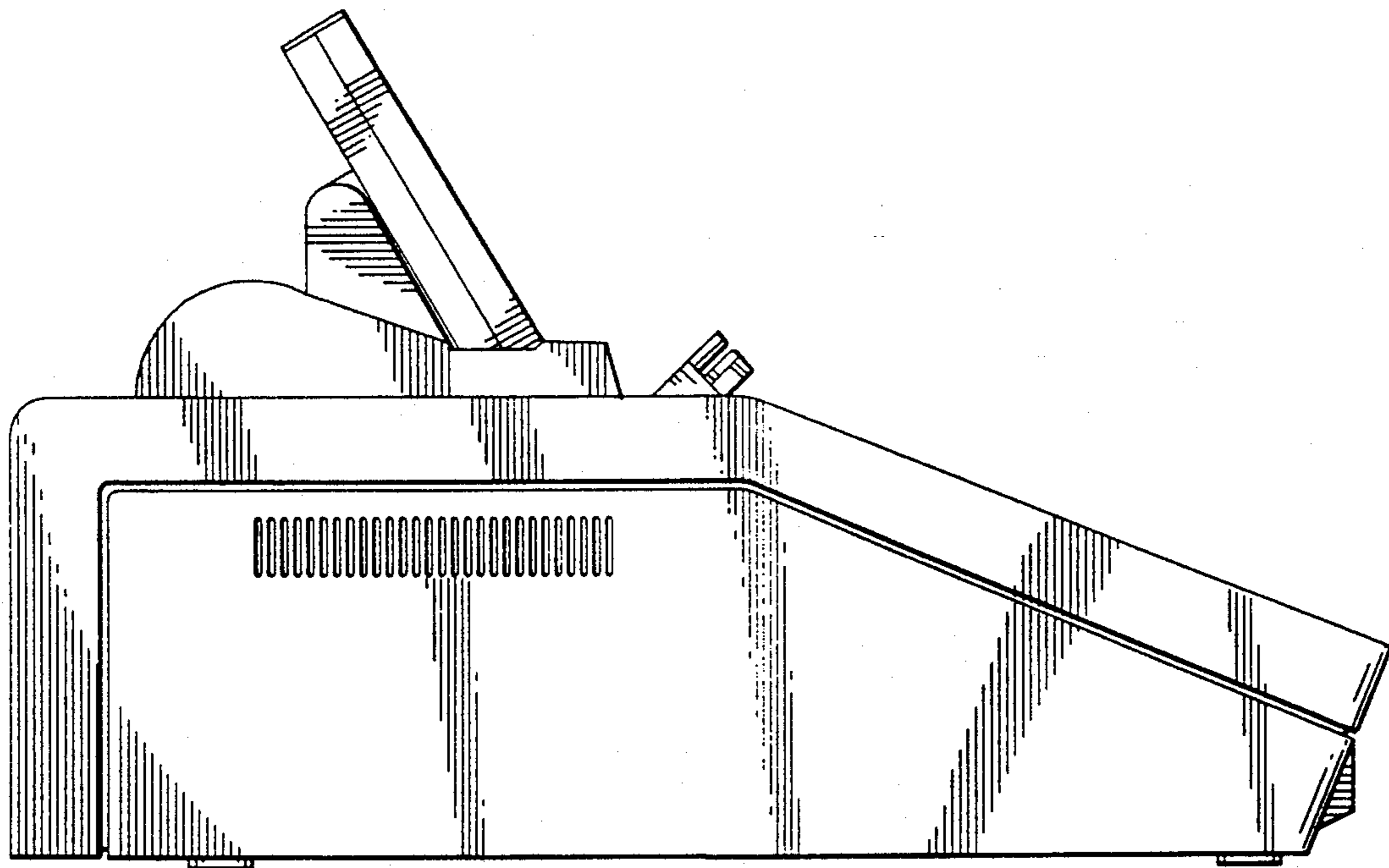


FIG. 6

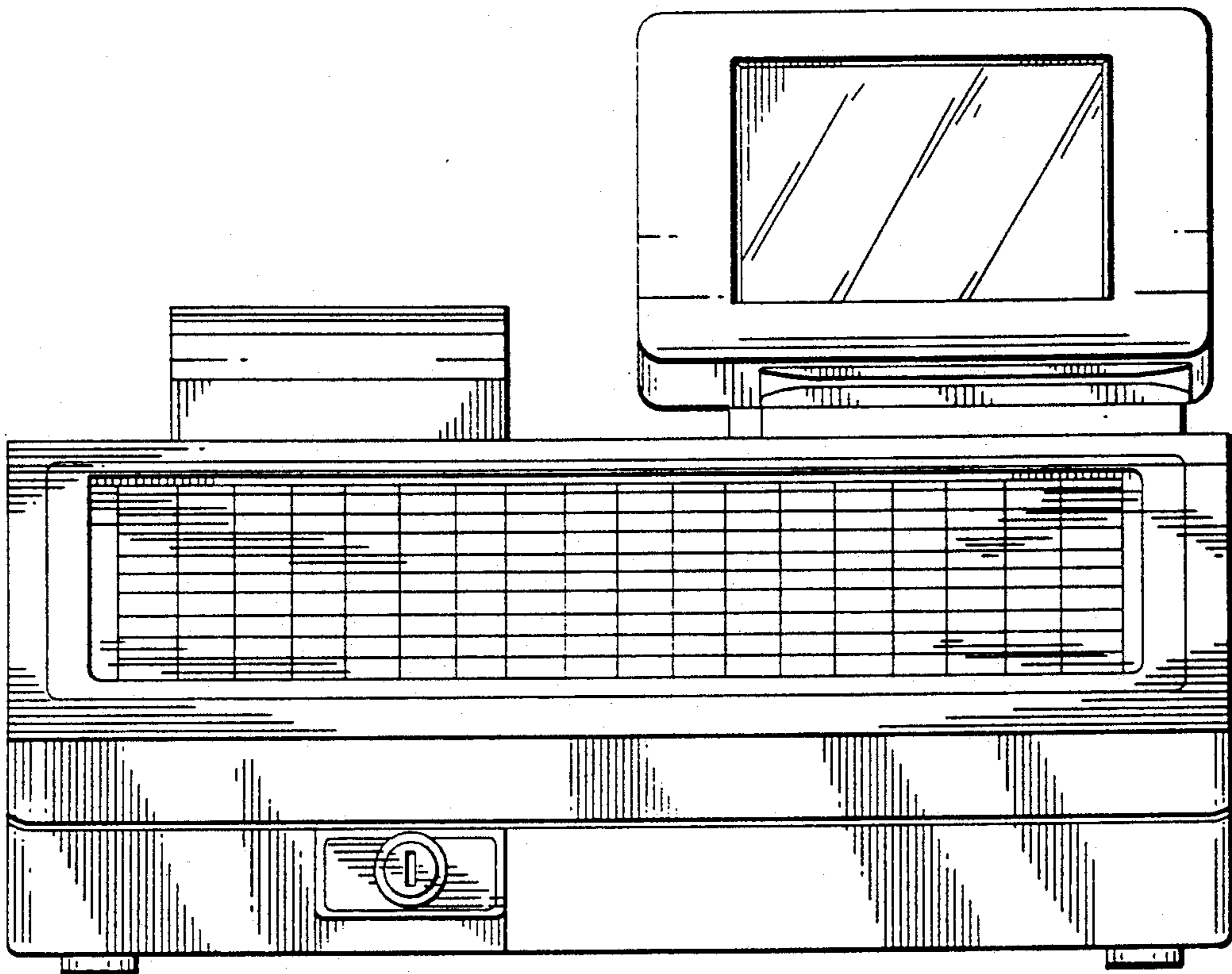


FIG. 7

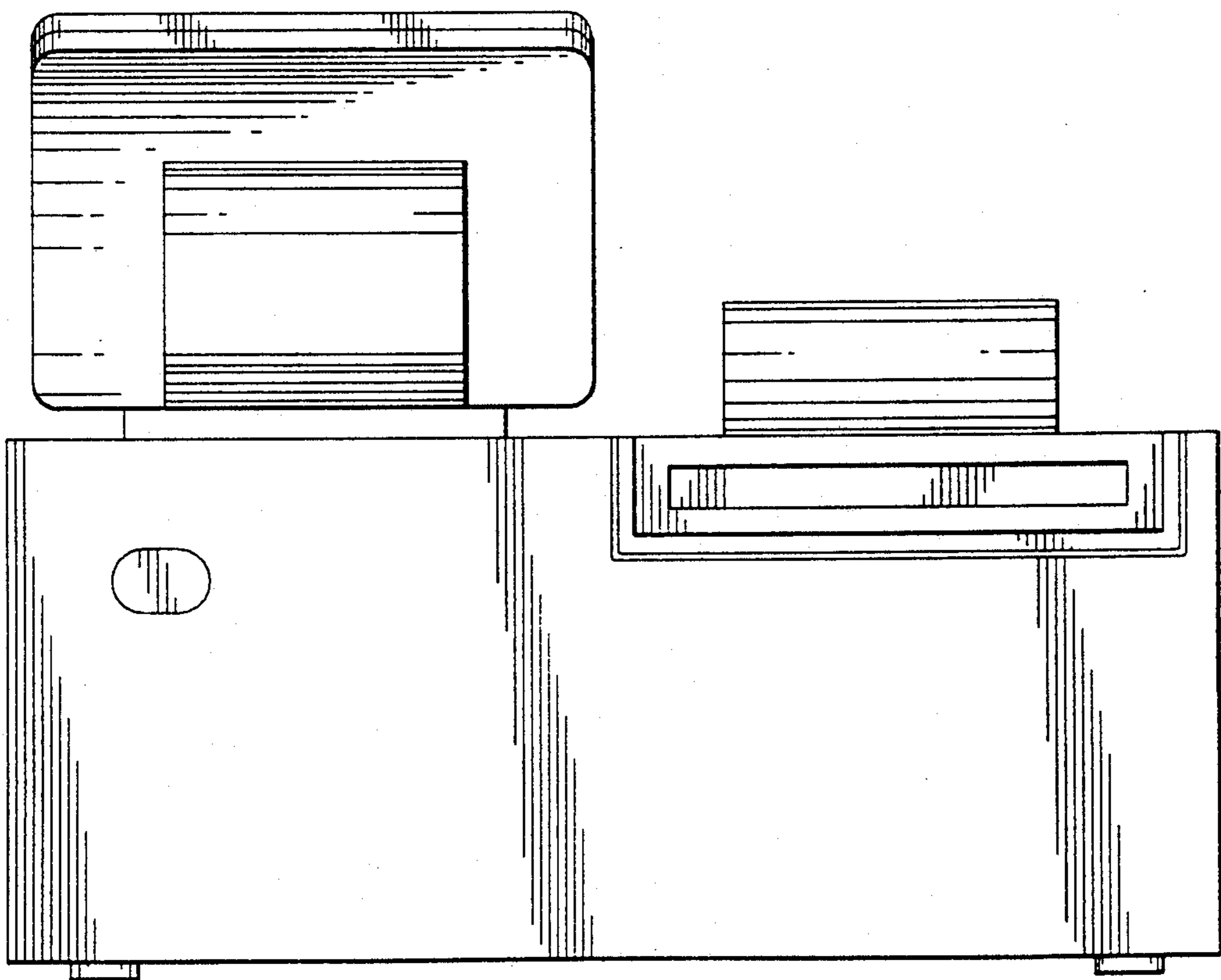


FIG. 8