



US00D338873S

United States Patent [19]

[11] Patent Number: **Des. 338,873**

Sue

[45] Date of Patent: **** Aug. 31, 1993**

[54] TELEPHONE-SIGNAL-ACTUATED DISCONNECT SWITCH

4,861,286 8/1989 Fosnaugh 439/651

[76] Inventor: **Tak Y. Sue**, 316 45th St., Richmond, Calif. 94805

[**] Term: **14 Years**

[21] Appl. No.: **544,474**

[22] Filed: **Jun. 27, 1990**

[52] U.S. Cl. **D13/158; D13/137; D13/142**

[58] Field of Search **D13/139, 141, 142; D14/240, 256; 439/106, 107, 535, 650, 652, 676; 174/51 R, 51.1, 67; 200/51 R, 61.01, 61.58 R; 220/242; 379/317**

[56] **References Cited**

U.S. PATENT DOCUMENTS

D. 180,712	7/1957	Hake	D3/66
D. 219,657	1/1971	Kahn	D13/170
D. 263,465	3/1982	Fathi	D13/110
D. 292,512	10/1987	Hames	D14/256
D. 317,311	6/1991	Anderson et al.	D14/240
2,988,617	6/1961	Graziosi	439/651 X
3,452,252	6/1969	Mapham	D13/160 X
4,085,996	4/1978	Koslo	D13/139 X
4,500,160	2/1985	Bertsch	439/390 X
4,743,999	5/1988	Hames	379/332 X

OTHER PUBLICATIONS

Automatic burn-out protector on p. 72 of *Product Engineering*, May 1978.

Receptacles on p. 424 of *Hong Kong Enterprise*, vol. 12, 1980

Receptacles on p.C.-5 of Bryant catalog BDB 1504, Jun. 1987.

068TEC telephone light alert on p. 374 of *B. A. Pargh* catalog.

Primary Examiner—Wallace R. Burke

Assistant Examiner—J. Sincavage

Attorney, Agent, or Firm—Leon Gilden

[57] CLAIM

The ornamental design for a telephone-signal-actuated disconnect switch, as shown and described.

DESCRIPTION

FIG. 1 is a front elevational view of the telephone-signal-actuated disconnect switch showing my new design;

FIG. 2 is a rear elevational view thereof;

FIG. 3 is a left side elevational view thereof;

FIG. 4 is a right side elevational view thereof;

FIG. 5 is a top plan view thereof; and,

FIG. 6 is a bottom plan view thereof.

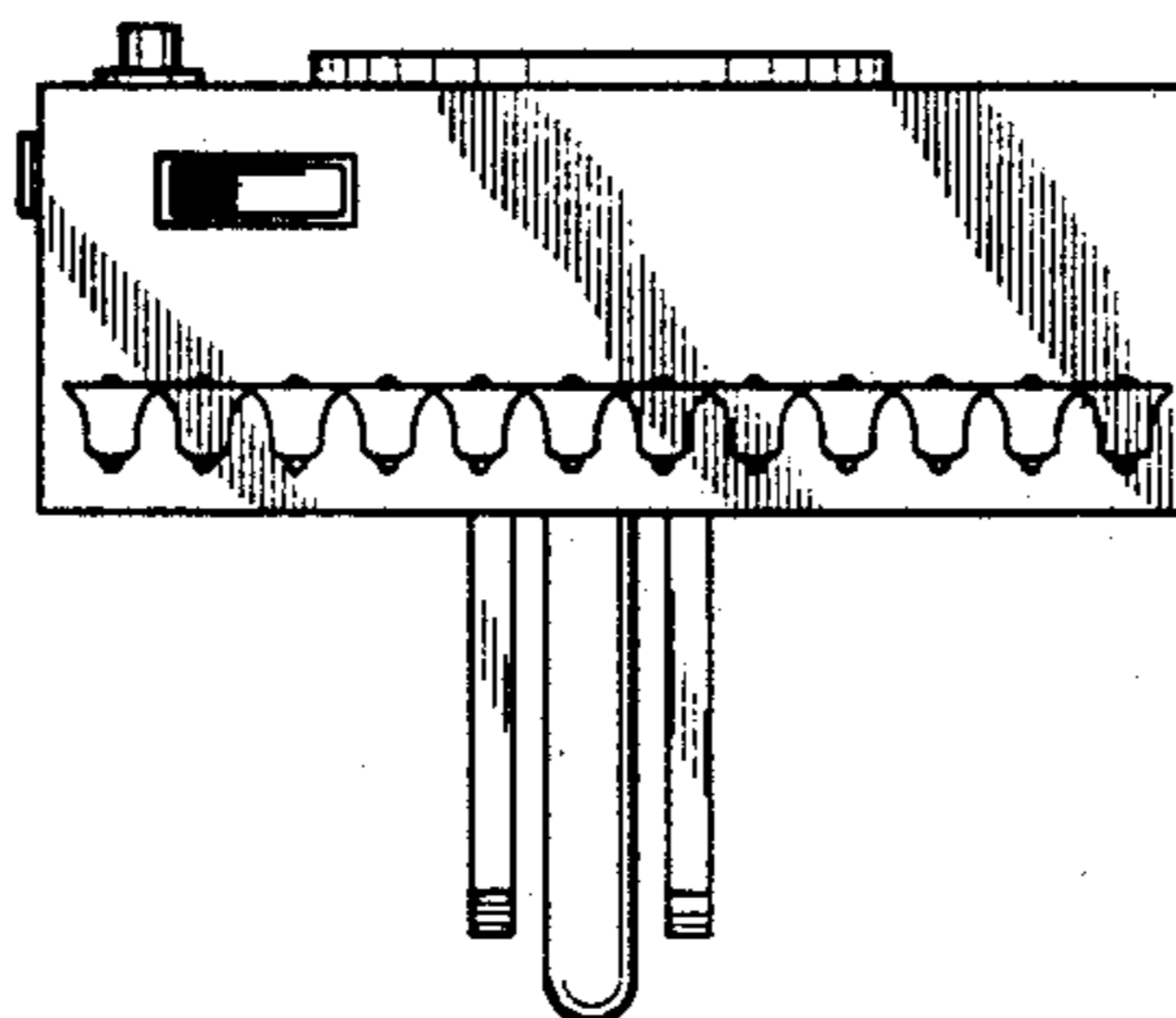
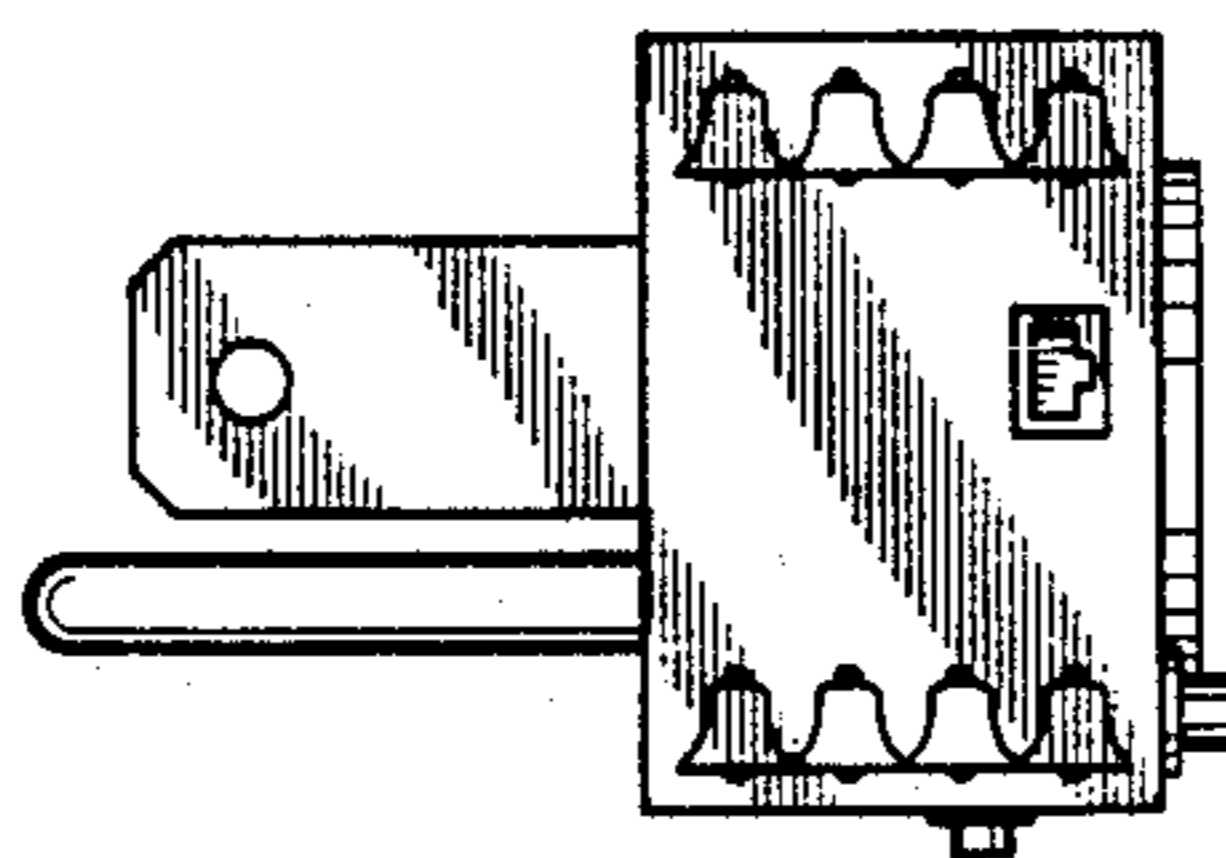
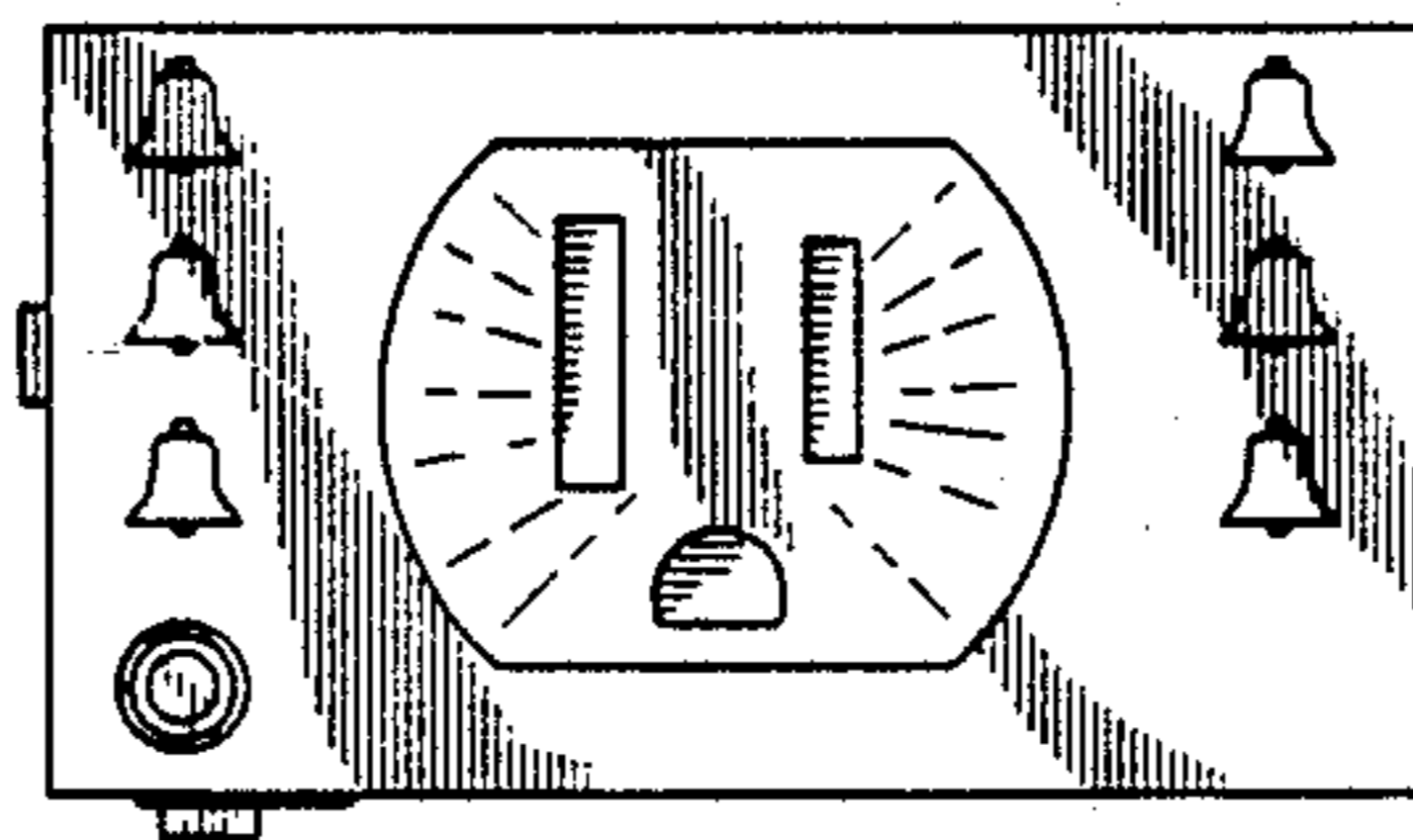


FIG. 1

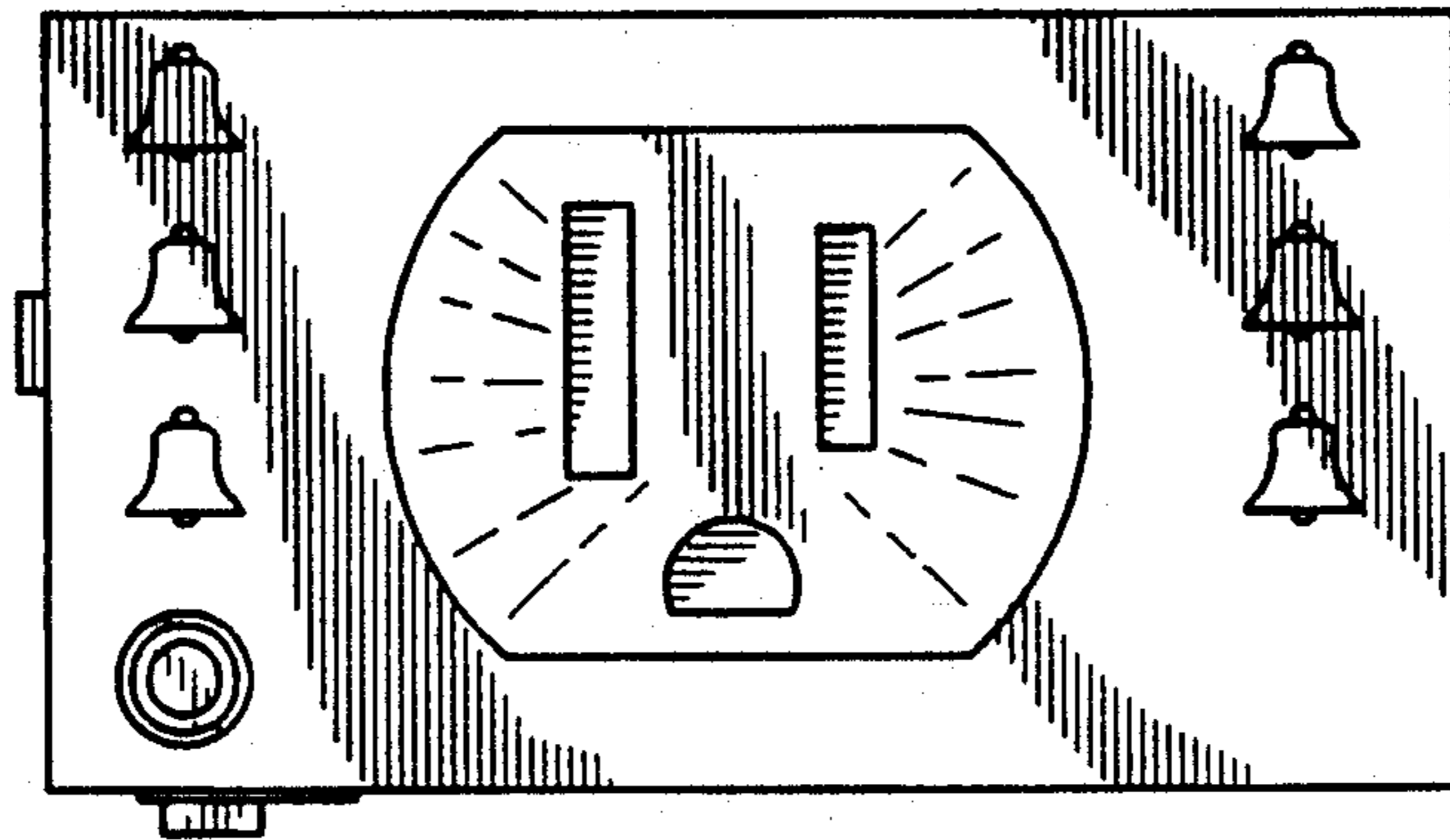


FIG. 2

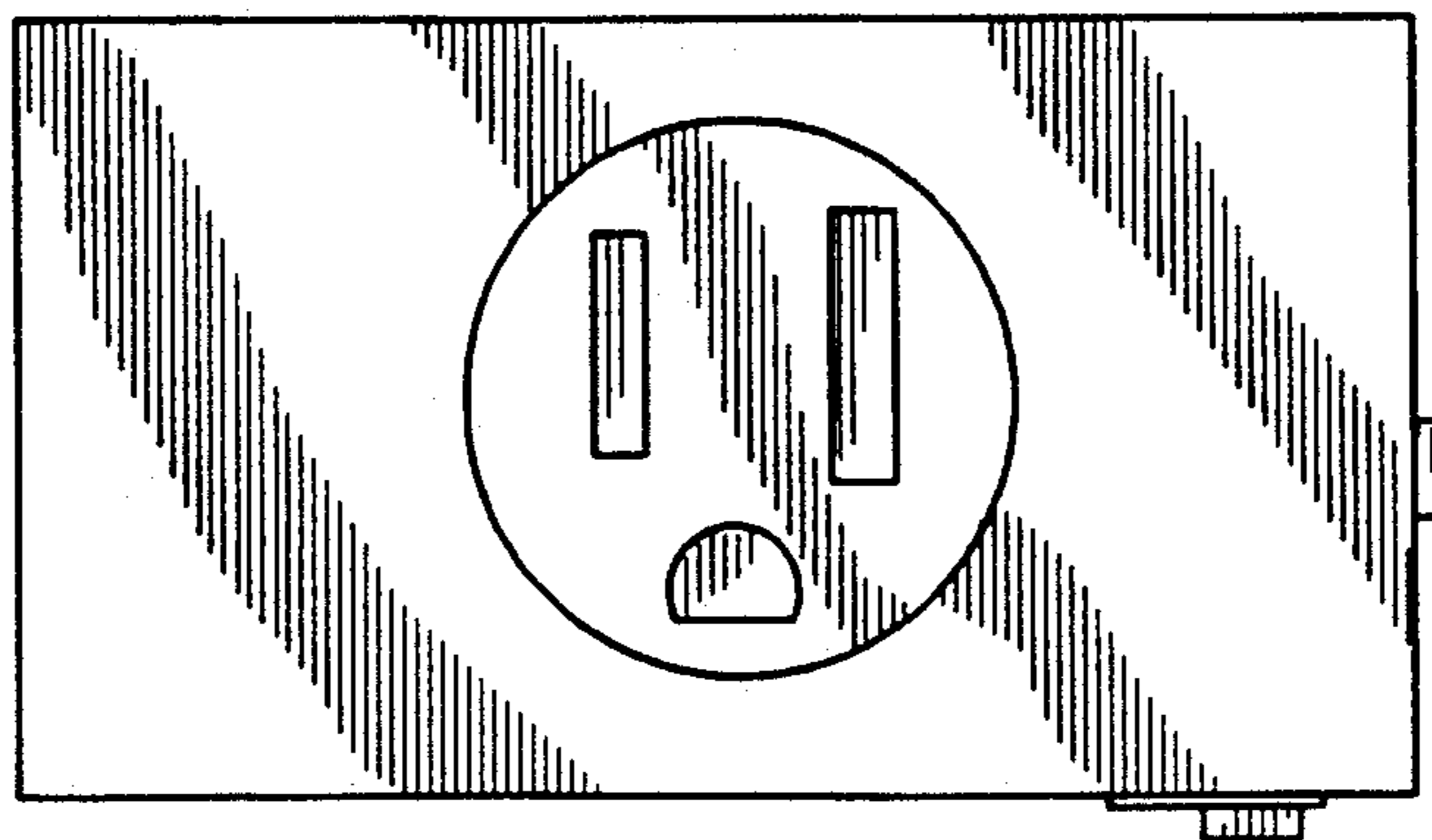


FIG. 3

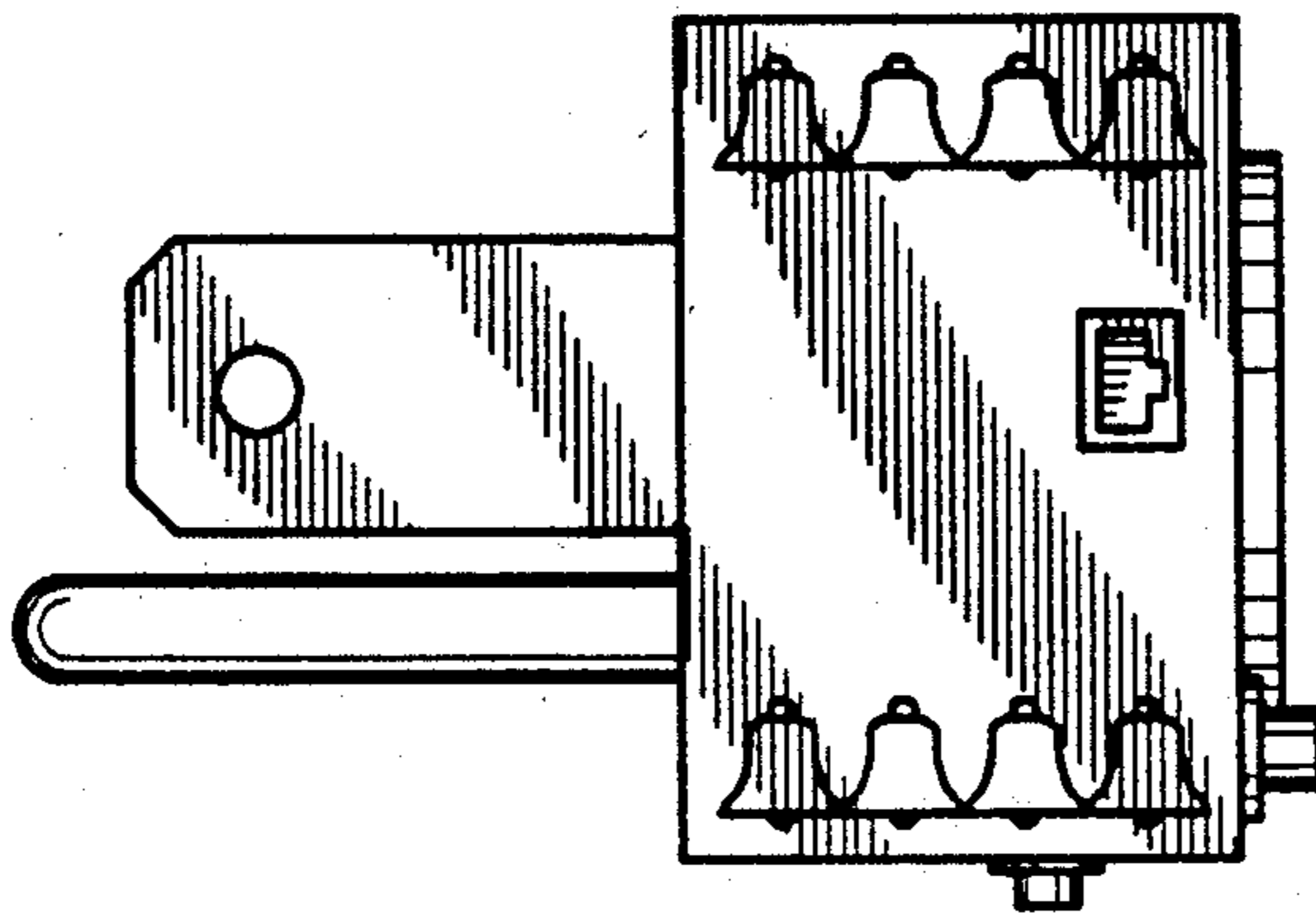


FIG. 4

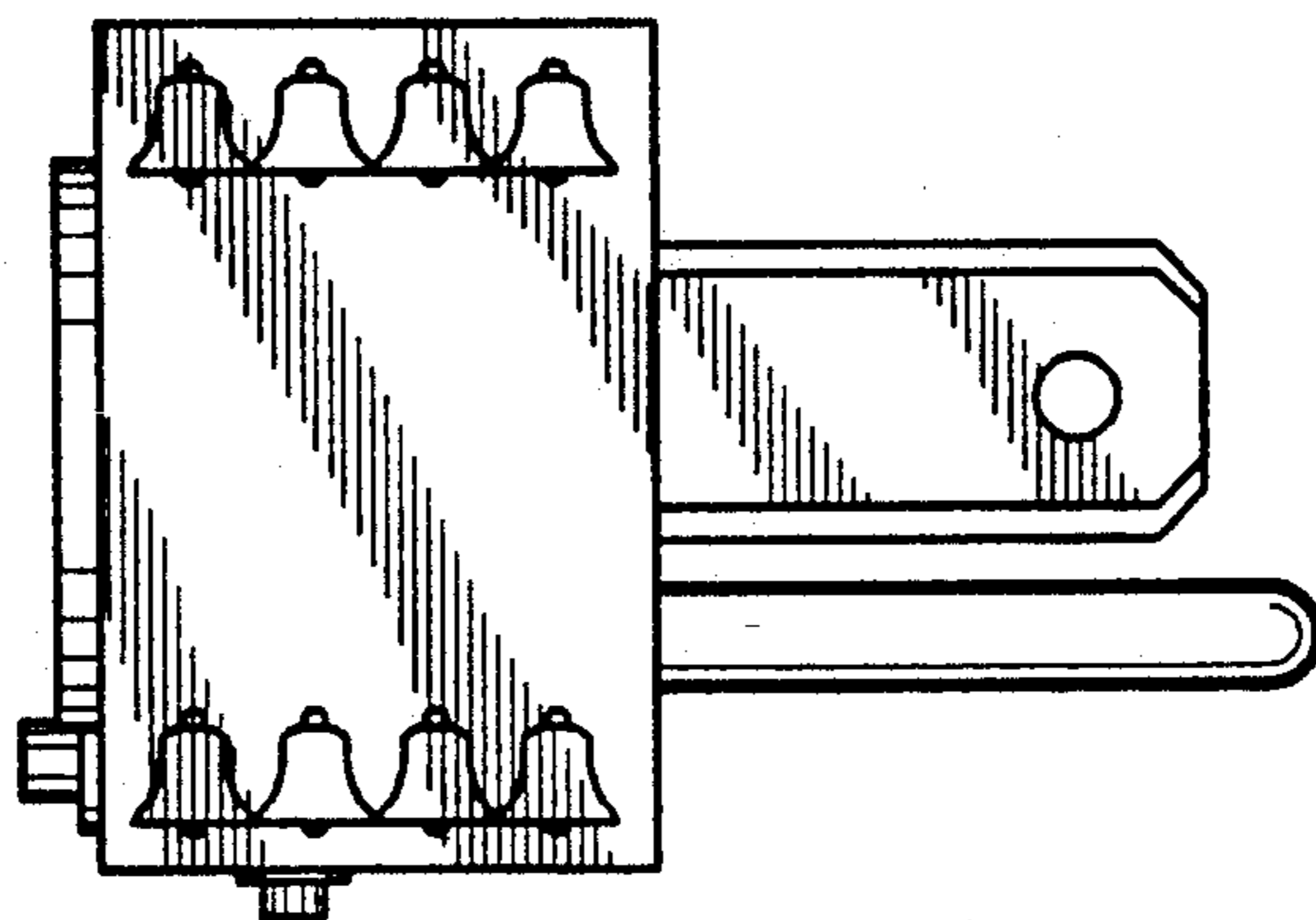


FIG. 5

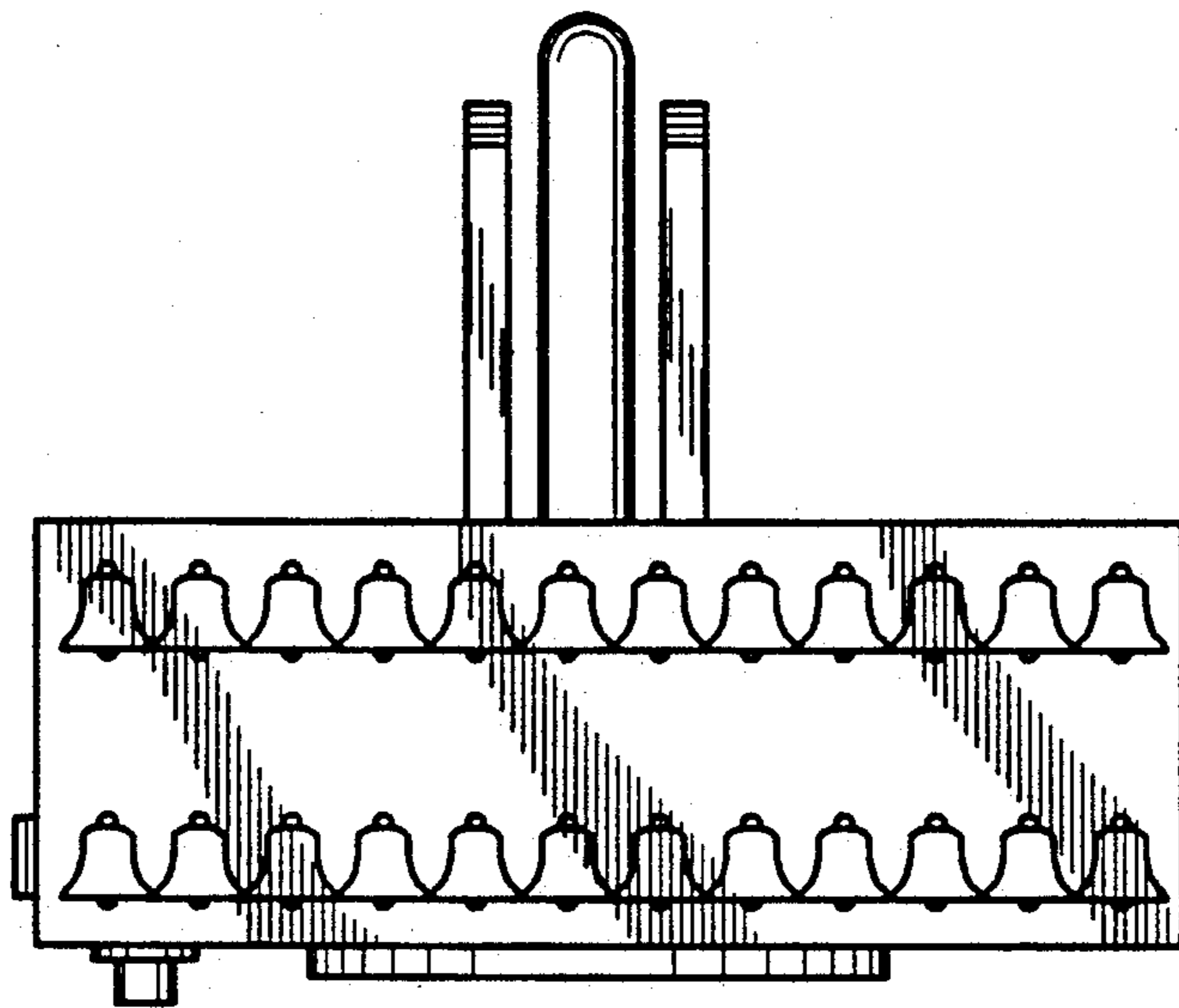


FIG. 6

