



US00D338870S

United States Patent [19]

[11] Patent Number: **Des. 338,870**

Hedges

[45] Date of Patent: **** Aug. 31, 1993**

[54] **ELECTRIC GENERATOR FOR USE ON ELECTRIC CARS**

FOREIGN PATENT DOCUMENTS

[76] Inventor: **Dennis A. Hedges, 13318 N. Mill Rd., Spokane, Wash. 99208**

2365890 5/1978 France 322/1
0218430 12/1983 Japan 180/65.3

[**] Term: **14 Years**

Primary Examiner—Wallace R. Burke
Assistant Examiner—J. Sincavage
Attorney, Agent, or Firm—Terry M. Gernstein

[21] Appl. No.: **758,099**

[57] CLAIM

[22] Filed: **Sep. 12, 1991**

The ornamental design for an electric generator for use on electric cars, as shown and described.

[52] U.S. Cl. **D13/112**

DESCRIPTION

[58] Field of Search **D13/112, 114; 180/65.1, 180/65.3, 65.4; 322/1; 307/66**

FIG. 1 is a perspective view of the electric generator for use on electric cars embodying the design of the present invention;

[56] References Cited

U.S. PATENT DOCUMENTS

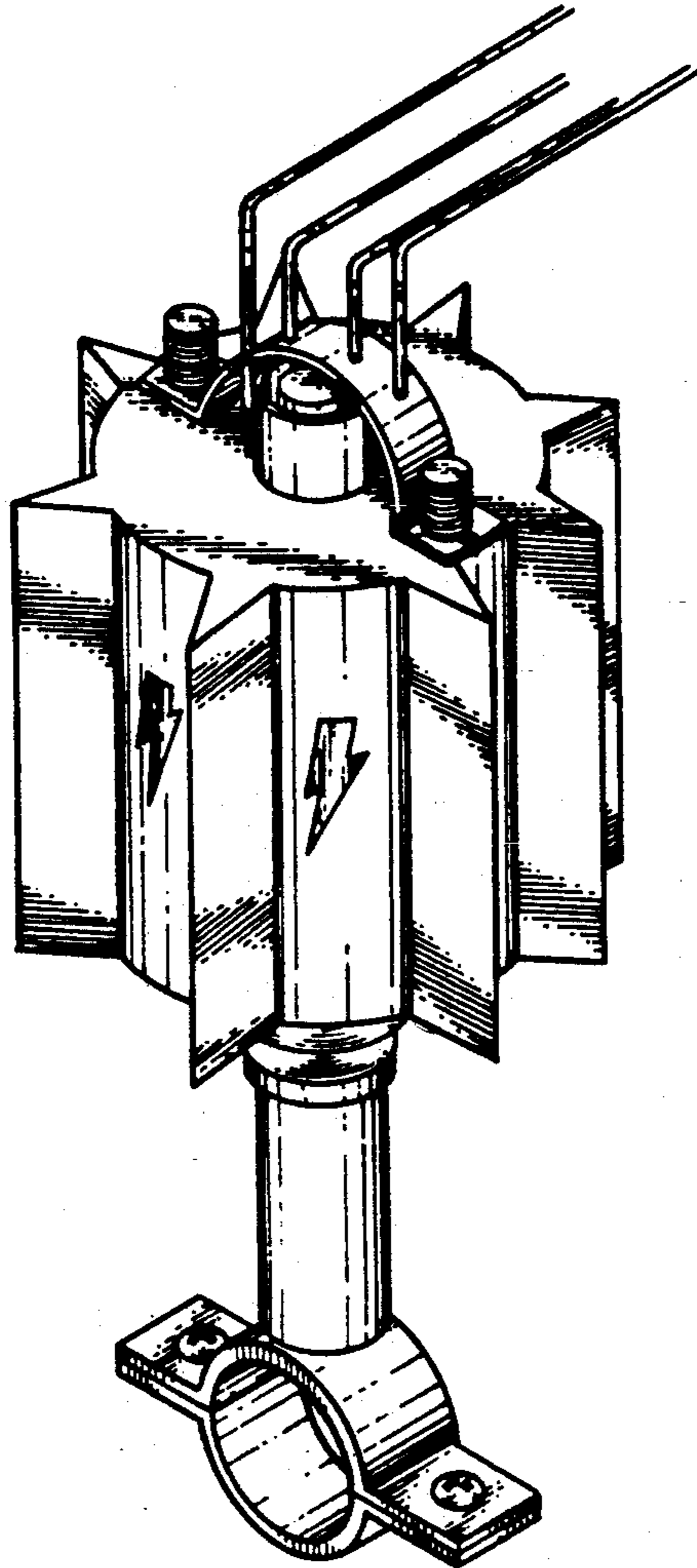
3,753,072 8/1973 Jurgens 307/66
3,766,403 10/1973 Tsutsumi .
4,634,343 1/1987 Nakamats 180/65.2 X

FIG. 2 is a front elevational view thereof, the rear being a mirror image of the front shown in **FIG. 2**;

FIG. 3 is a side elevational view thereof, the side opposite being a mirror image of the side shown in **FIG. 3**;

FIG. 4 is a top plan view thereof; and,

FIG. 5 is a bottom view thereof.



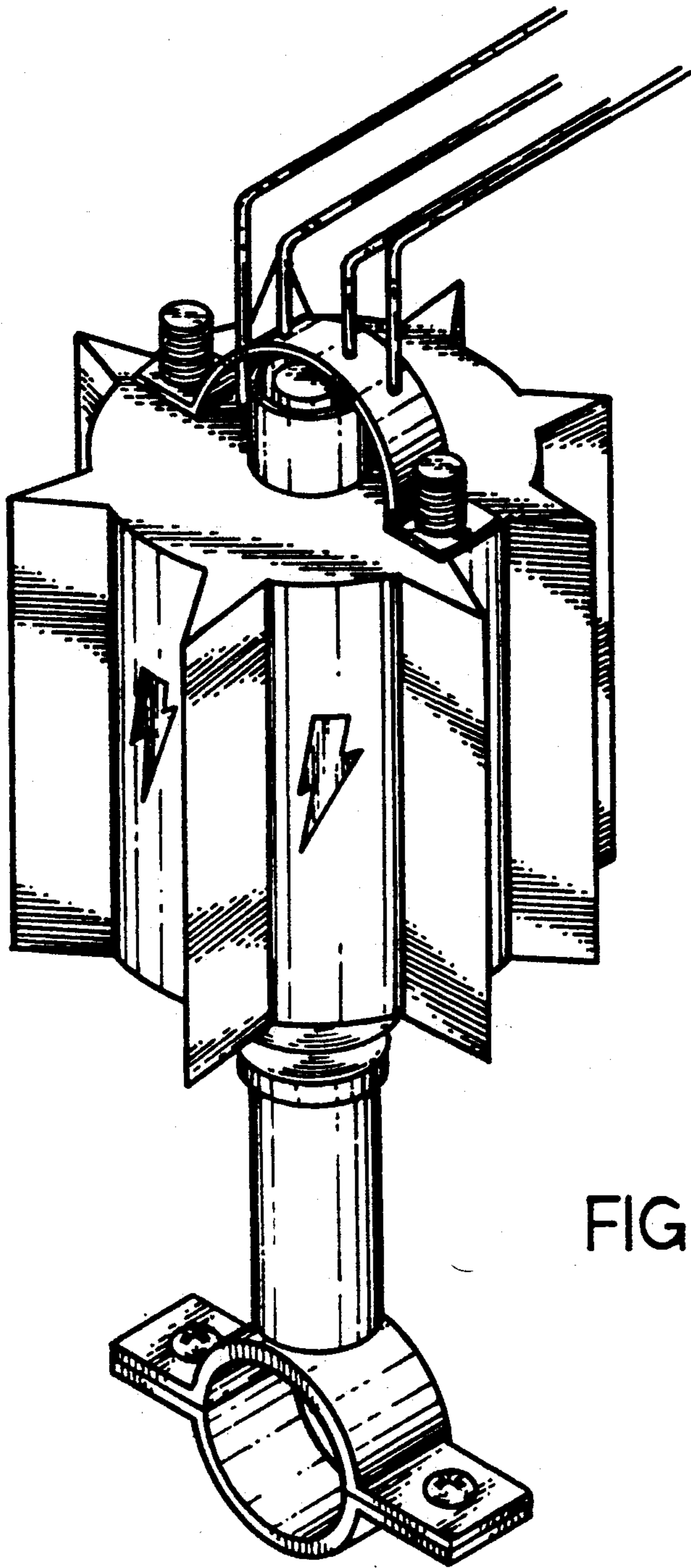


FIG. 1

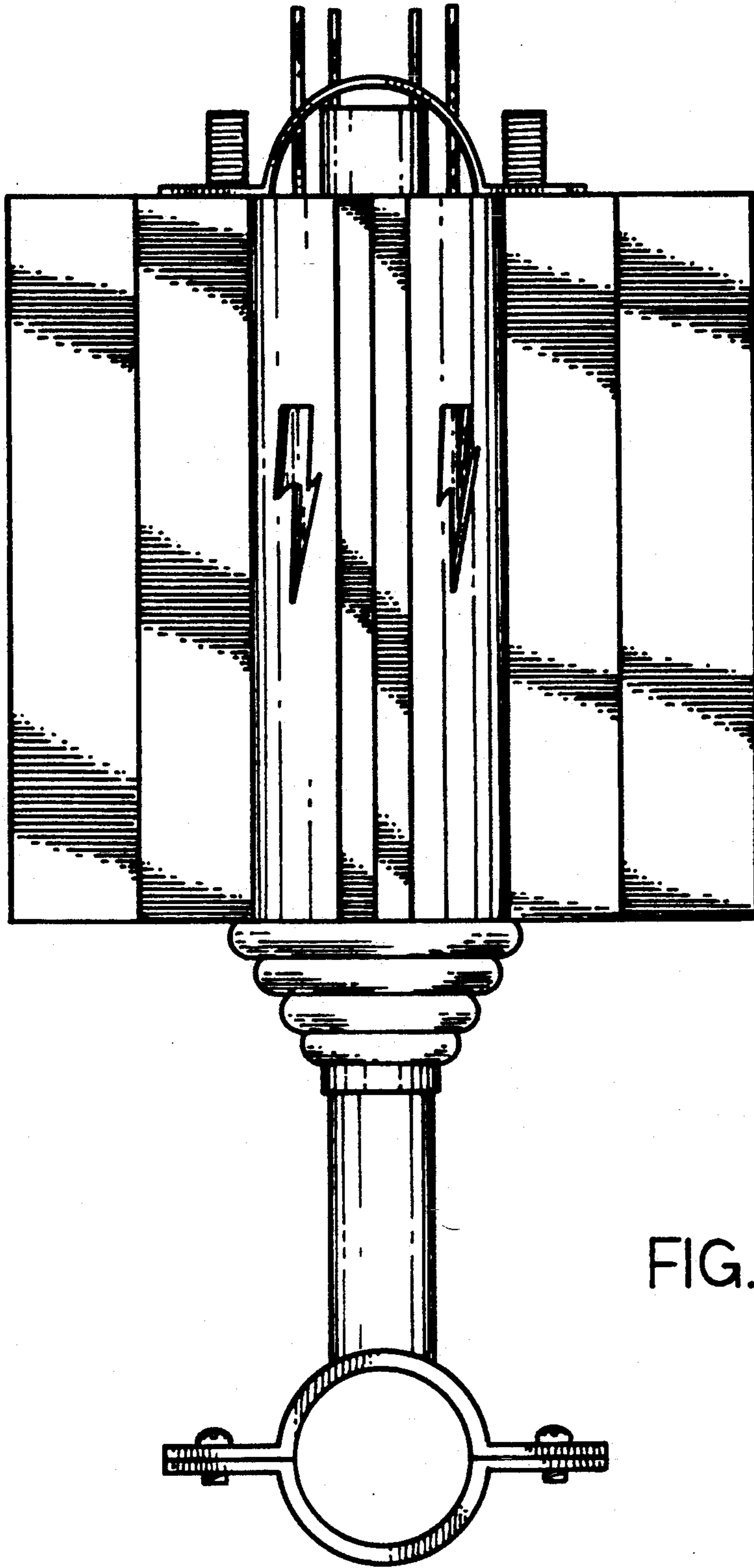


FIG. 2

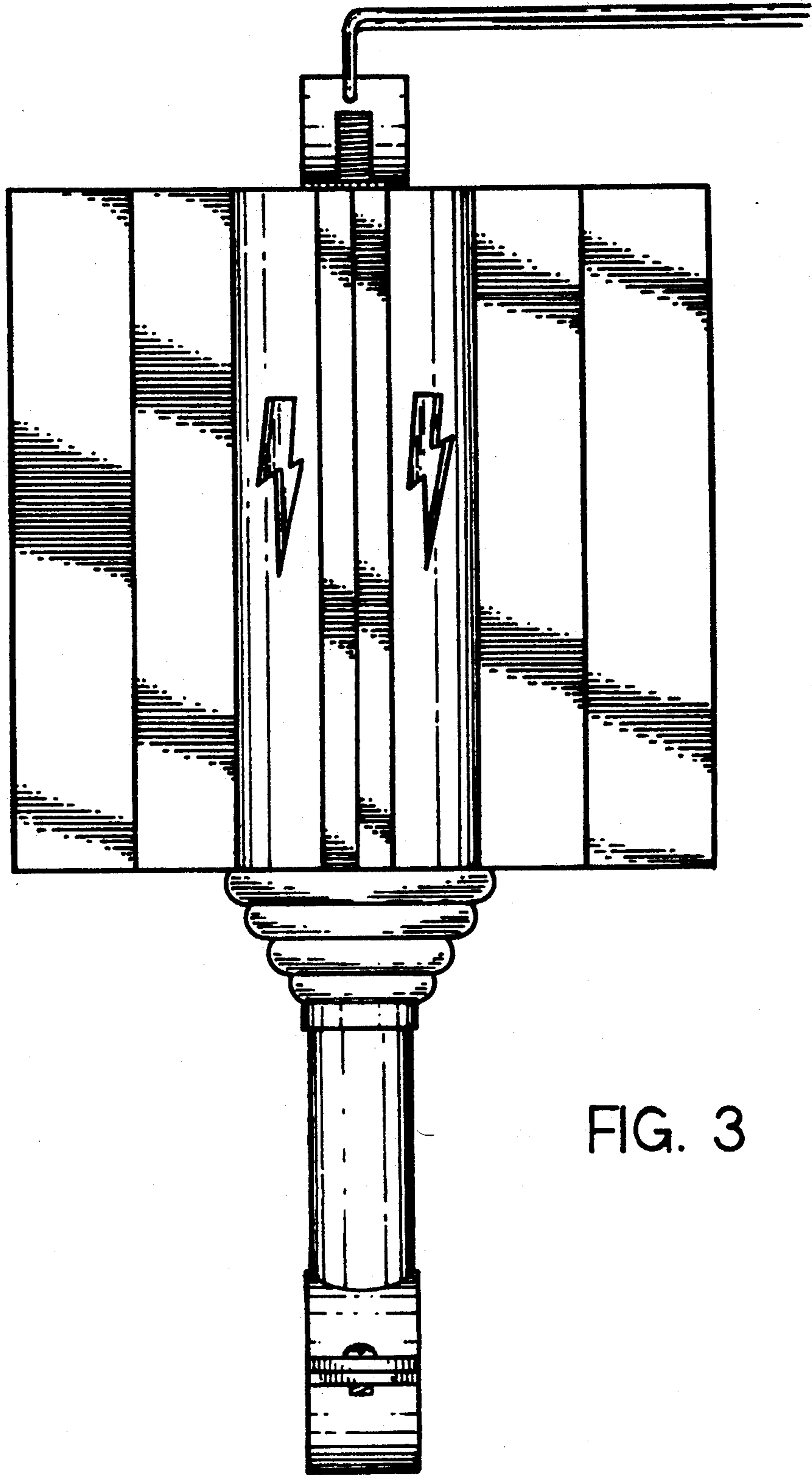


FIG. 3

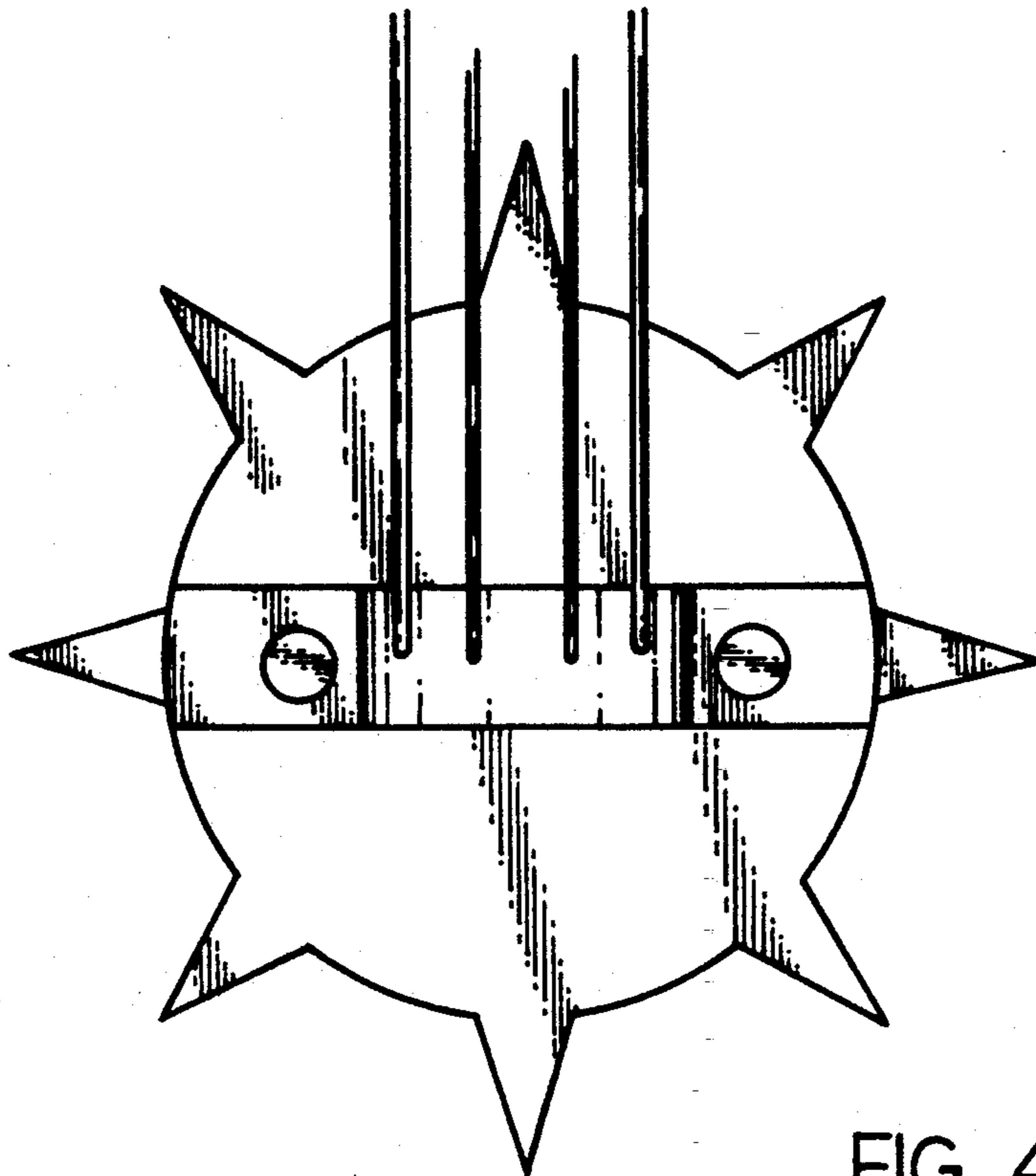


FIG. 4

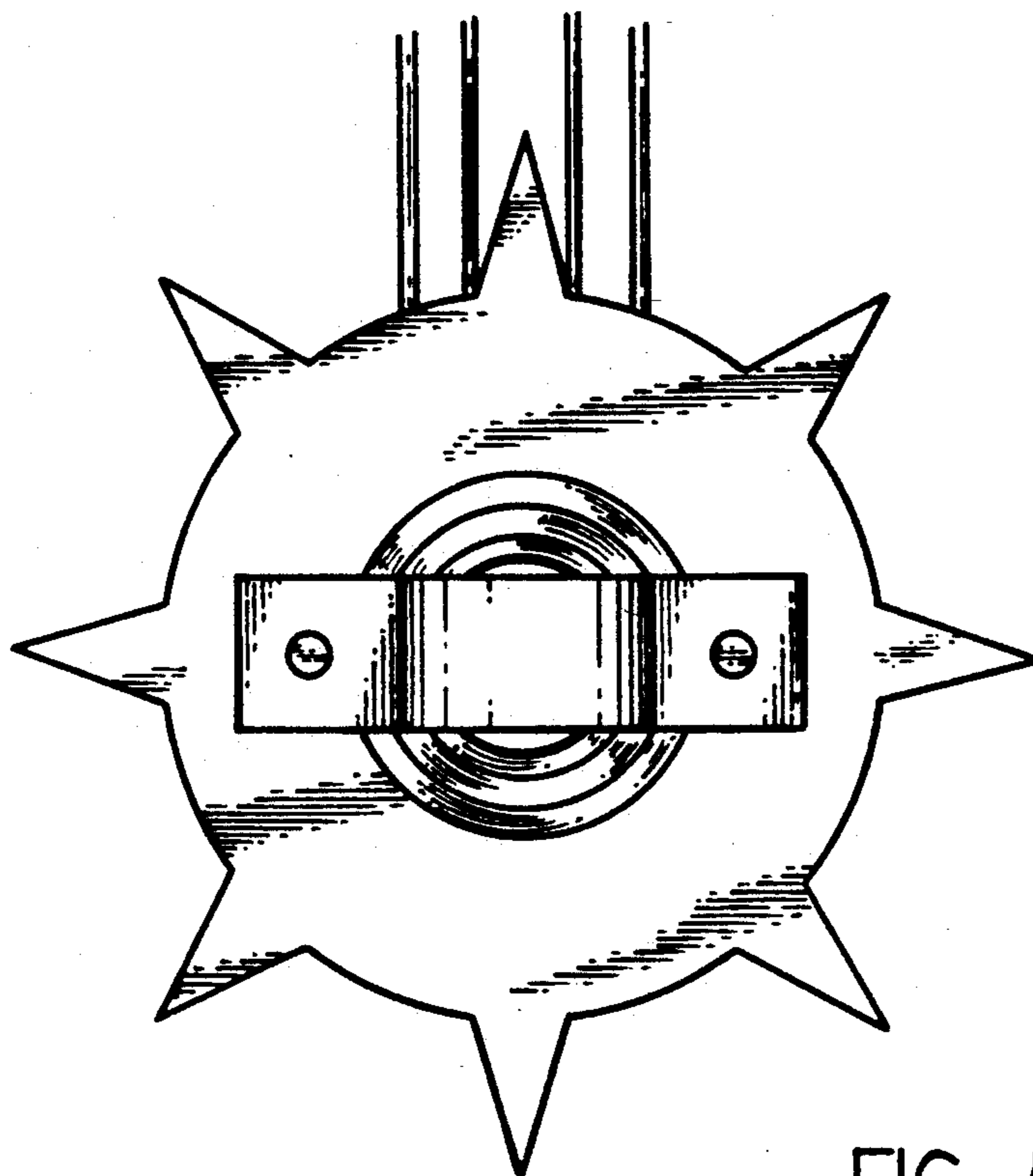


FIG. 5