



US00D338869S

United States Patent [19]

Allbaugh

[11] Patent Number: **Des. 338,869**

[45] Date of Patent: **** Aug. 31, 1993**

[54] COVER FOR BOAT MOTOR CONTROL

4,098,536 7/1978 Mills 135/117
5,096,214 3/1992 Walker et al. 135/115

[76] Inventor: **Jerry L. Allbaugh, 7102 S. 250 E.,
Lafayette, Ind. 47905**

Primary Examiner—Kay H. Chin
Attorney, Agent, or Firm—Terry M. Gernstein

[**] Term: **14 Years**

[57] **CLAIM**

[21] Appl. No.: **764,385**

The ornamental design for a cover for boat motor control, as shown and described.

[22] Filed: **Sep. 23, 1991**

[52] U.S. Cl. **D12/317; D12/214**

[58] Field of Search **D12/214, 317, 318;
114/361; 135/115, 117, 120; D3/30.1**

DESCRIPTION

[56] **References Cited**

U.S. PATENT DOCUMENTS

2,536,152 1/1951 Bass 114/361
3,010,124 11/1961 Dawson 114/361
3,604,440 9/1971 Wilson 114/361

FIG. 1 is a perspective view of the cover for boat motor control embodying the design of the present invention; FIG. 2 is a front end elevational view thereof; FIG. 3 is a rear end elevational view thereof; FIG. 4 is a side elevational view thereof, the side opposite being a mirror image of the side shown in FIG. 4; FIG. 5 is a top plan view thereof; and, FIG. 6 is a bottom view thereof.

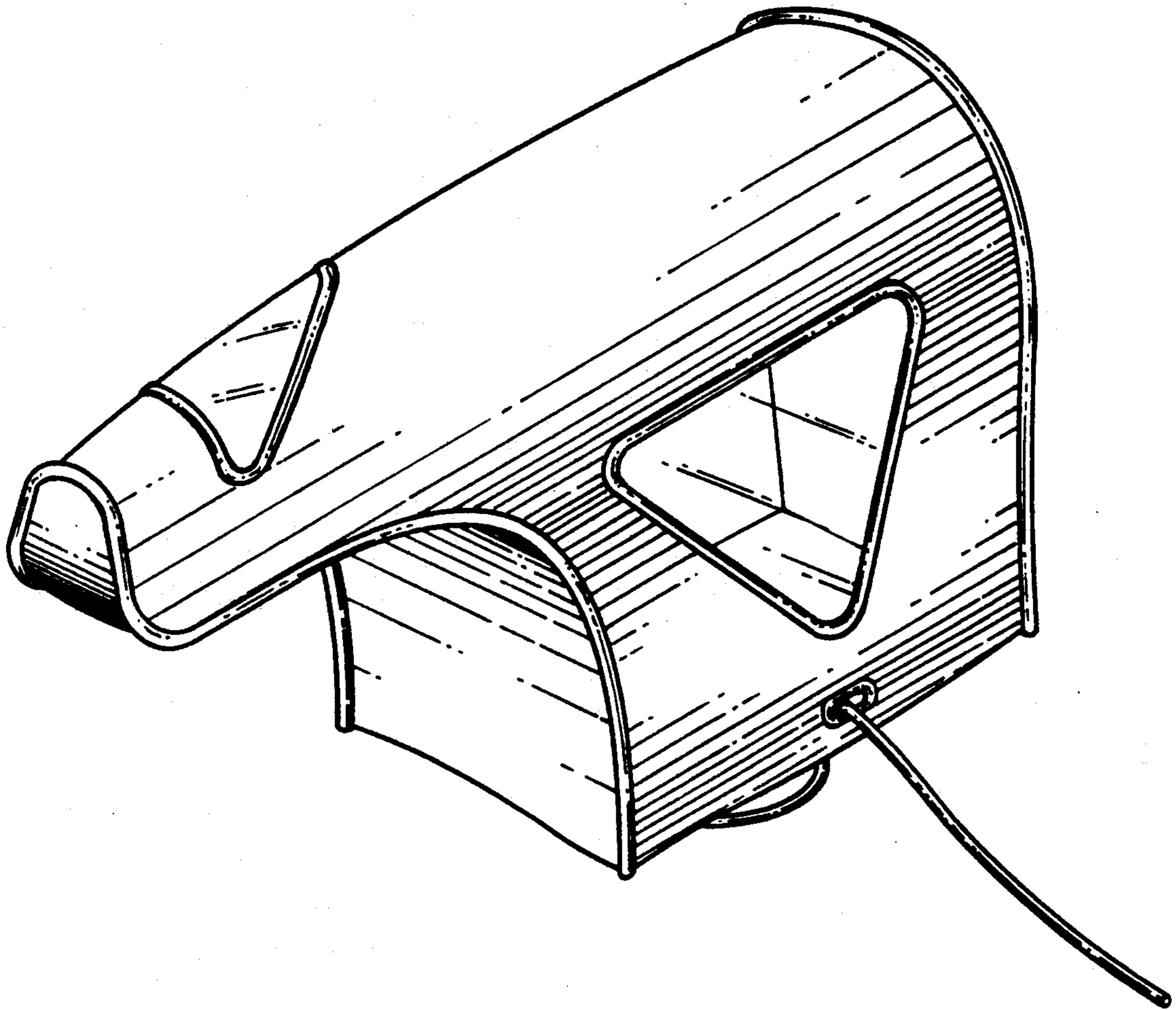
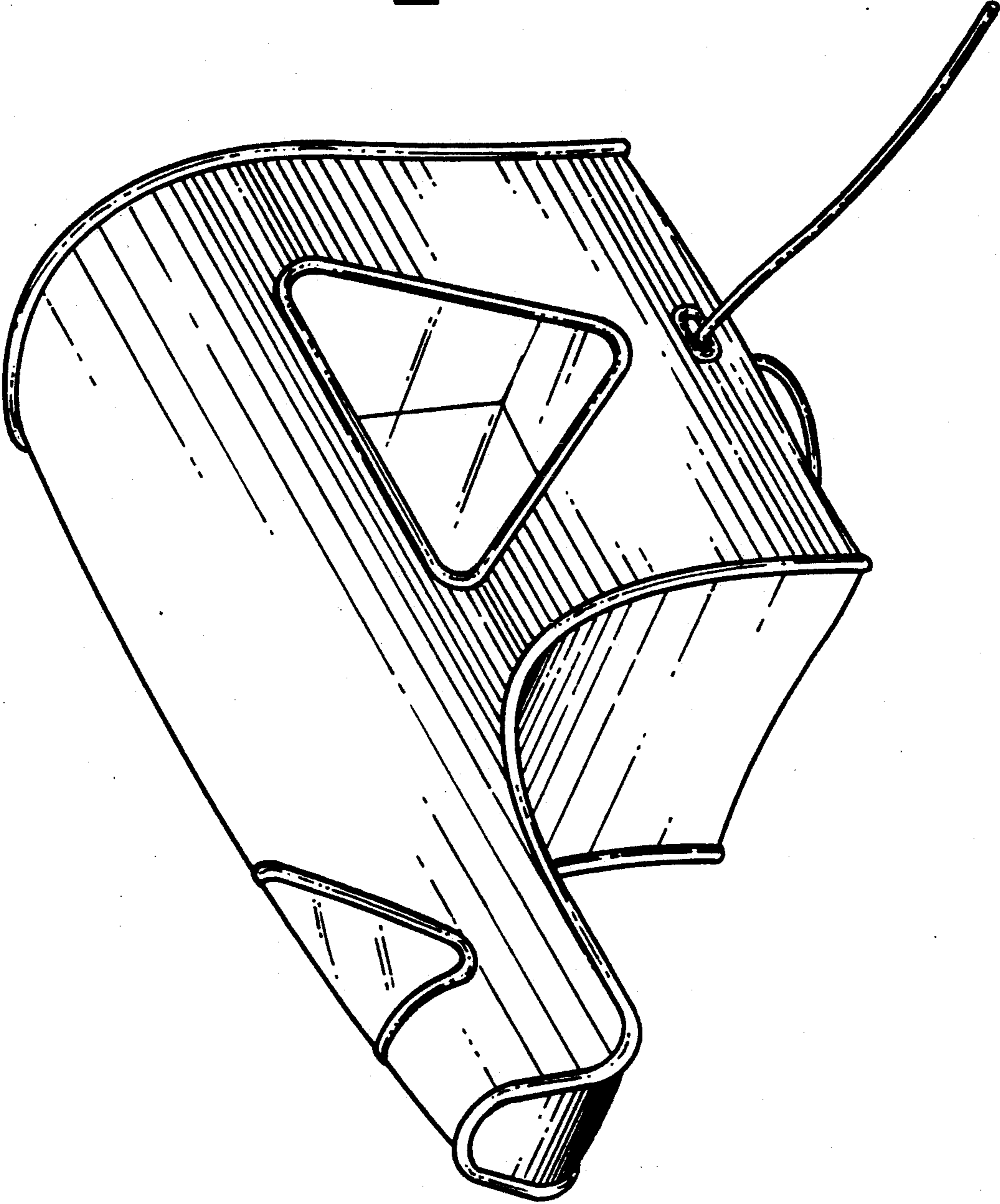


FIG. 1



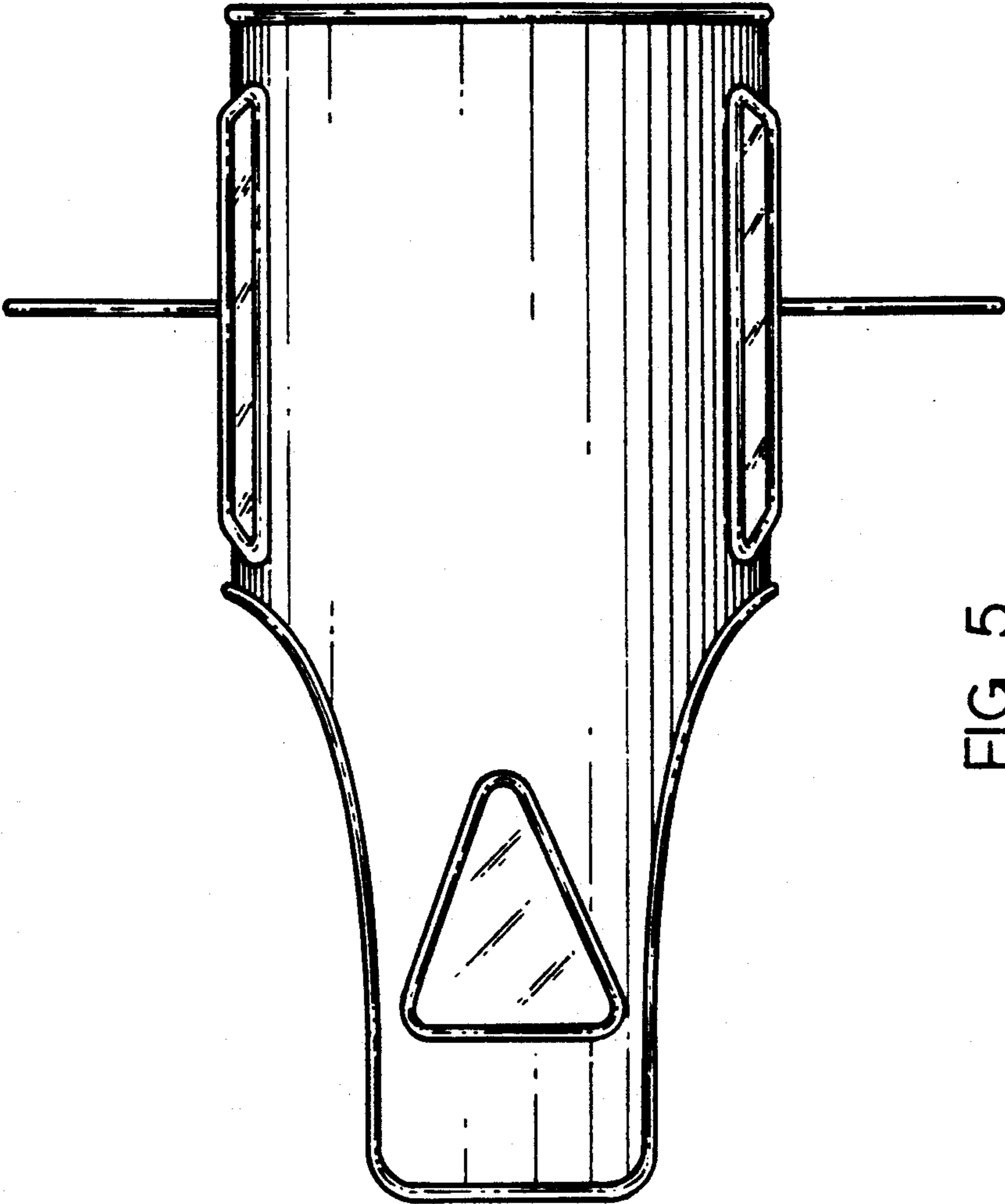


FIG. 5

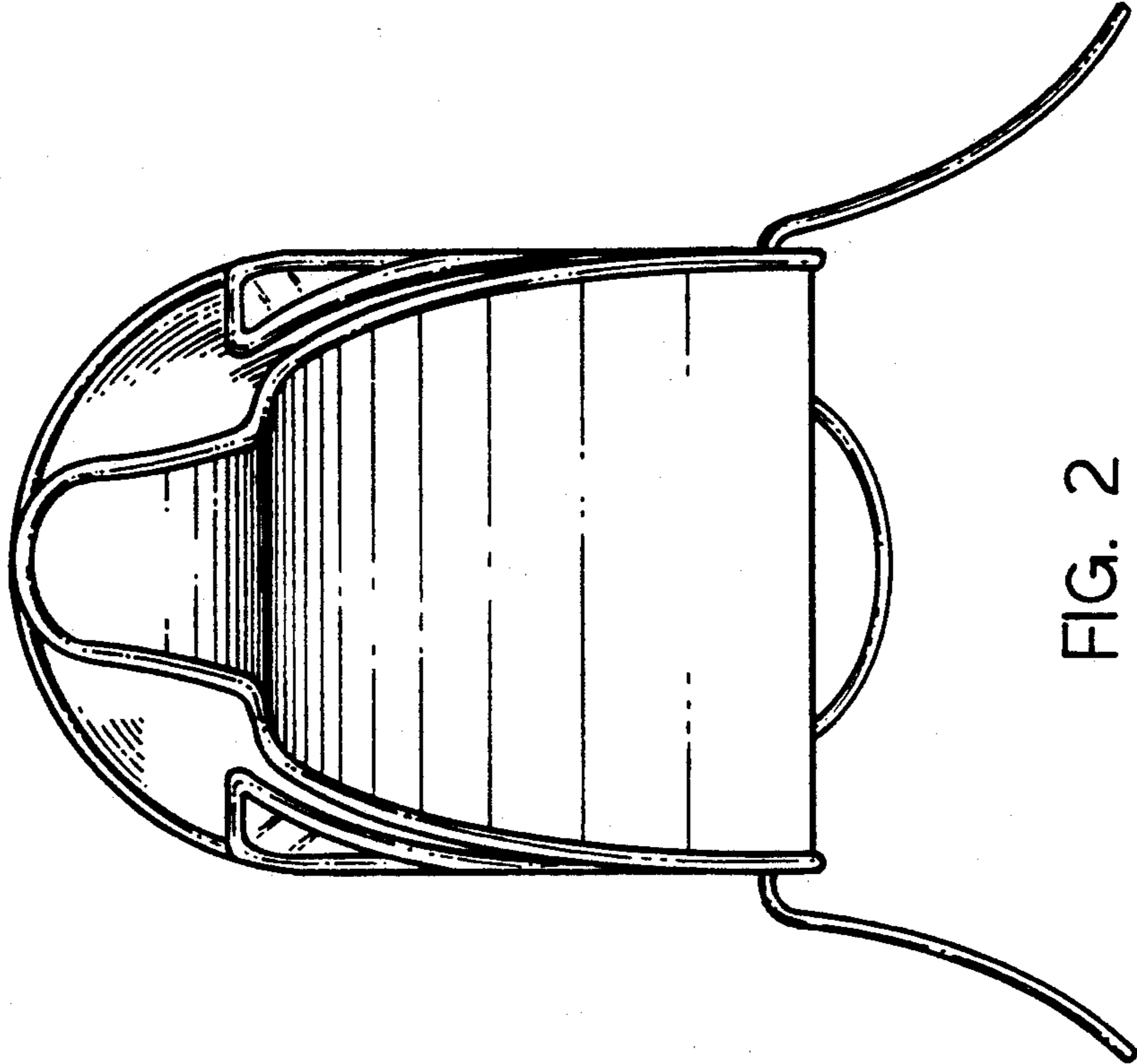


FIG. 2

FIG. 3

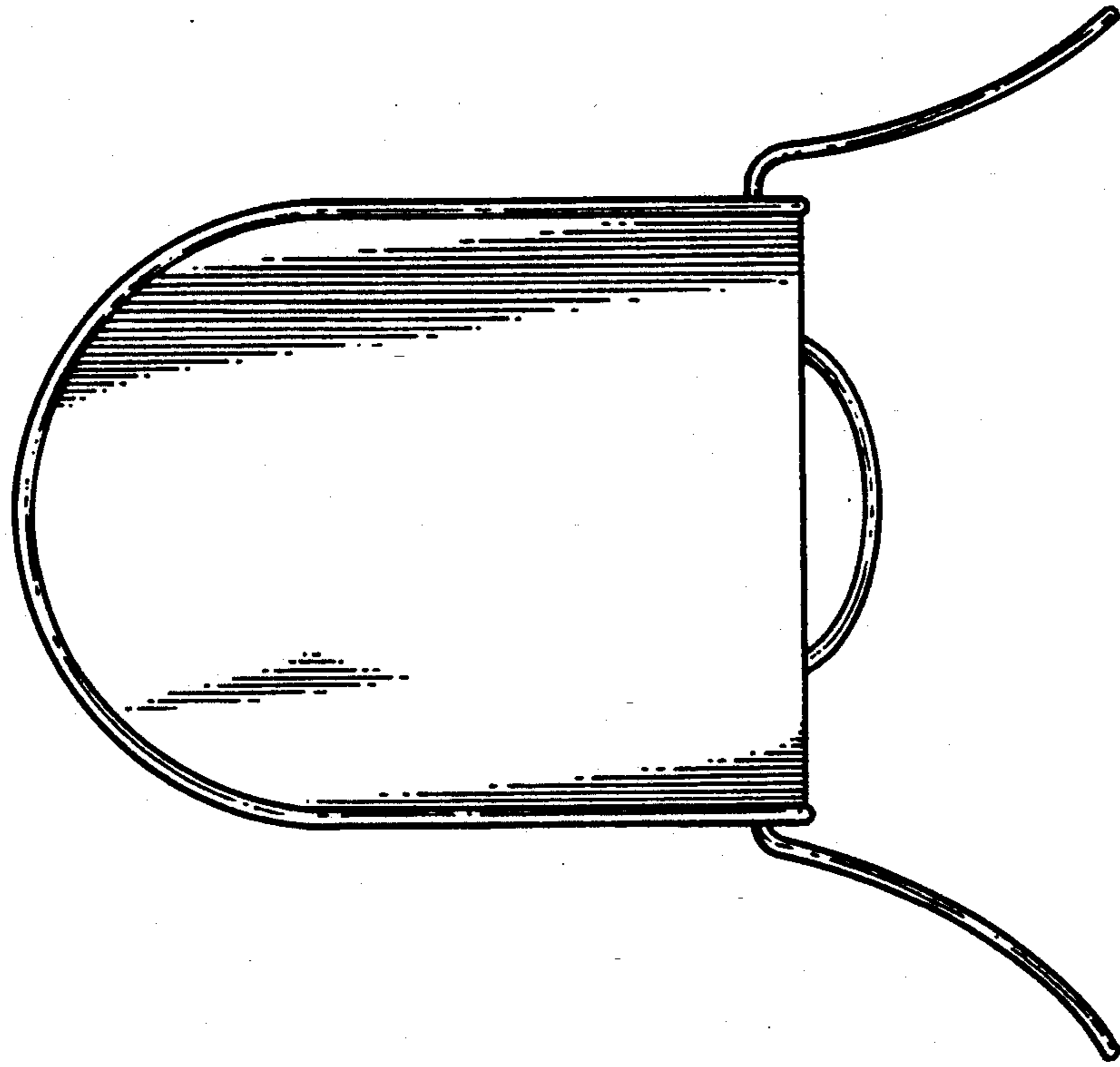
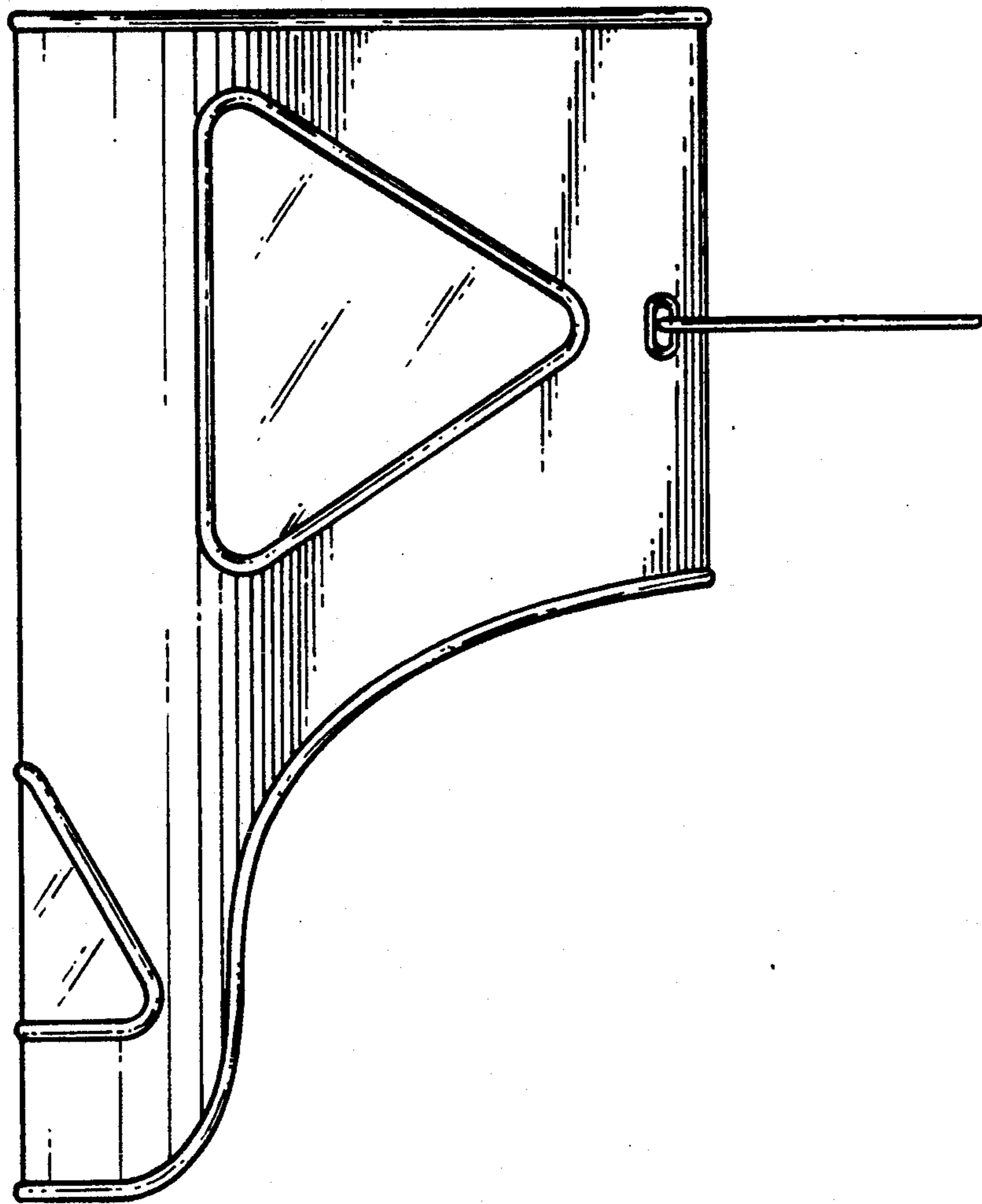


FIG. 4



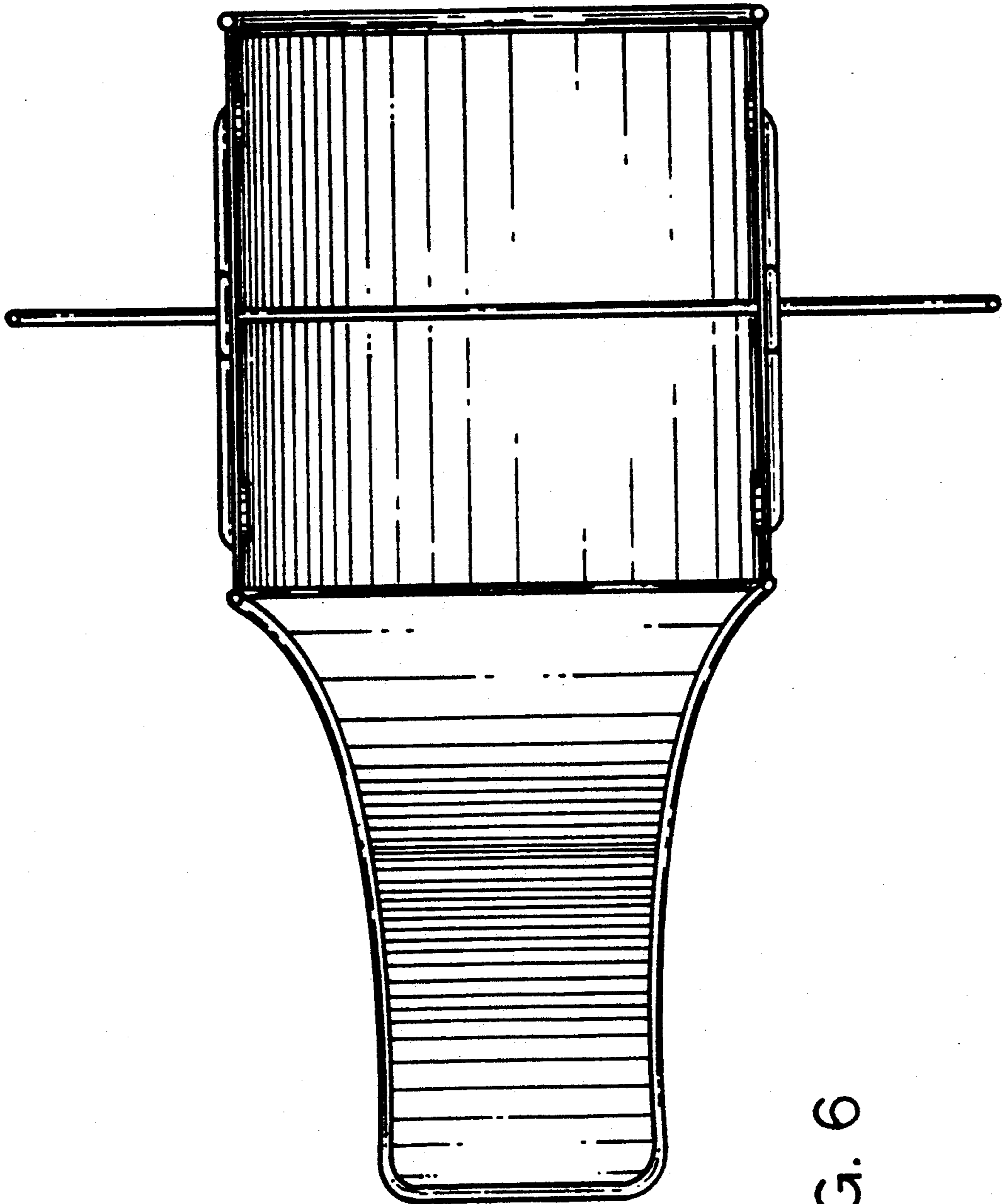


FIG. 6