



US00D338865S

United States Patent [19]
Lim

[11] **Patent Number: Des. 338,865**

[45] **Date of Patent: ** Aug. 31, 1993**

[54] **VEHICLE DOOR PANEL**

[75] **Inventor: Rex W. Lim, Elkhart, Ind.**

[73] **Assignee: Paramount Plastics, Inc., Elkhart, Ind.**

[**] **Term: 14 Years**

[21] **Appl. No.: 820,046**

[22] **Filed: Jan. 13, 1992**

[52] **U.S. Cl. D12/195**

[58] **Field of Search D12/195; 296/146 R, 296/146 B, 146 D, 146 J, 146 K, 149, 153**

[56] **References Cited**

U.S. PATENT DOCUMENTS

D. 296,883 7/1988 Lim D12/195

Primary Examiner—James M. Gandy

Attorney, Agent, or Firm—James D. Hall

[57] **CLAIM**

The ornamental design for a vehicle door panel, as shown and described.

DESCRIPTION

FIG. 1 is a perspective view of a vehicle door panel showing my new design;

FIG. 2 is a front elevation view thereof;

FIG. 3 is a right side elevational view thereof;

FIG. 4 is a left side elevational view thereof;

FIG. 5 is a top plan view thereof;

FIG. 6 is a bottom plan view thereof;

FIG. 7 is a perspective view of a vehicle door panel showing a second embodiment of my new design, the sole difference being in the addition of a speaker cover;

FIG. 8 is a front elevation view thereof;

FIG. 9 is a right side elevation view thereof.

FIG. 10 is a top plan view thereof; and,

FIG. 11 is a bottom plan view thereof.

The rear of the two embodiments of the vehicle door panel are understood to be unornamented and reverse images of the front thereof.

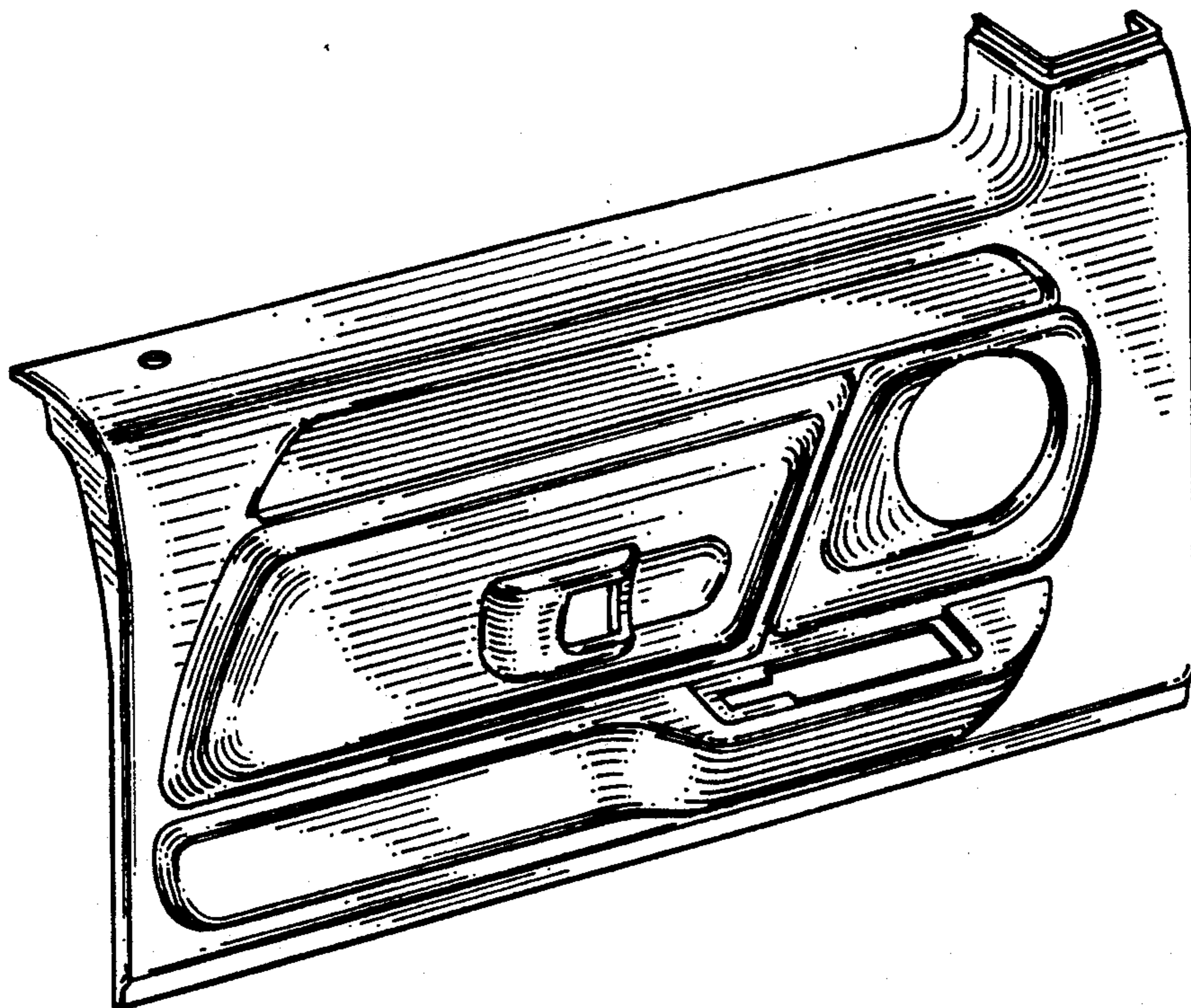


FIG.1

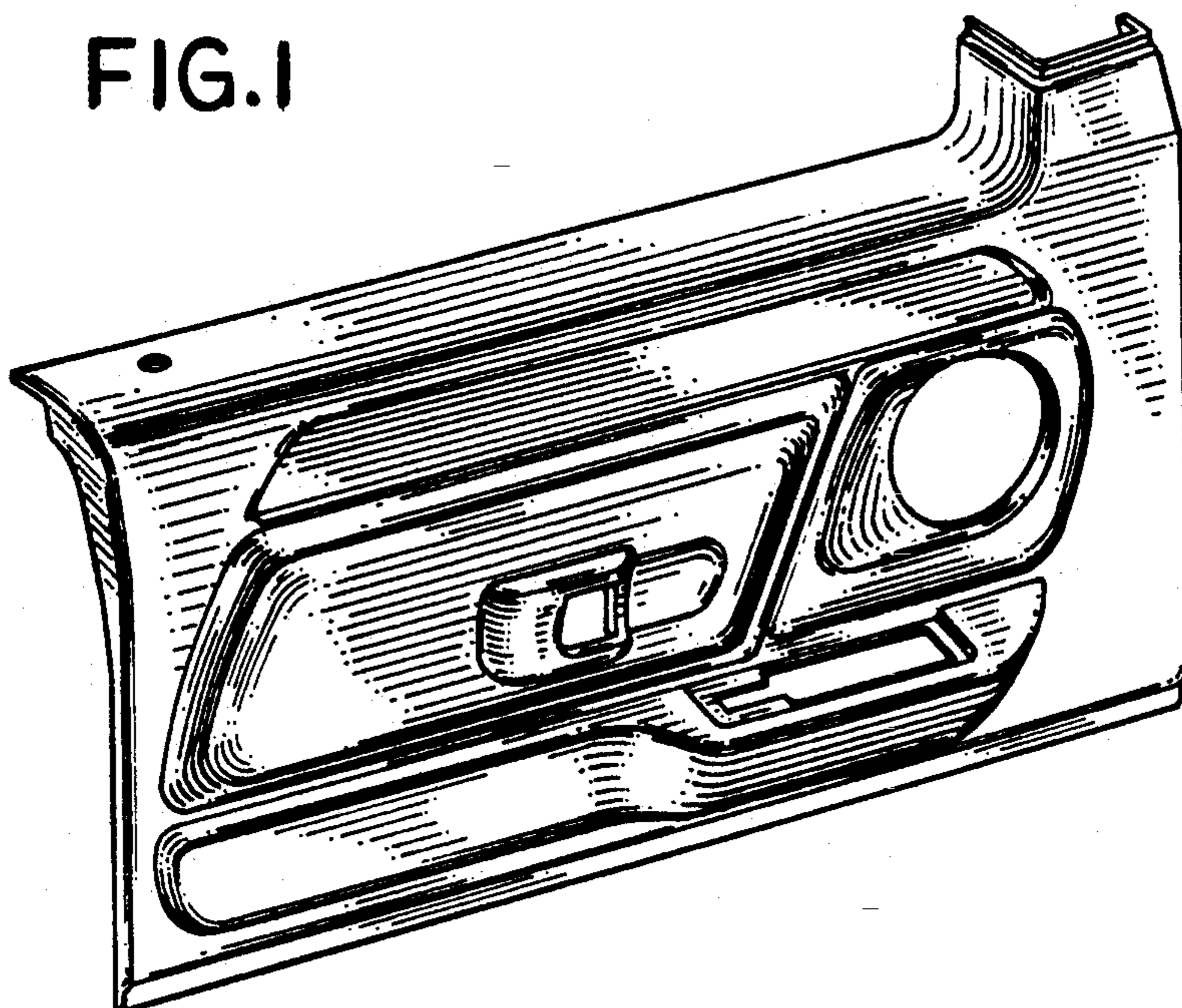


FIG.2

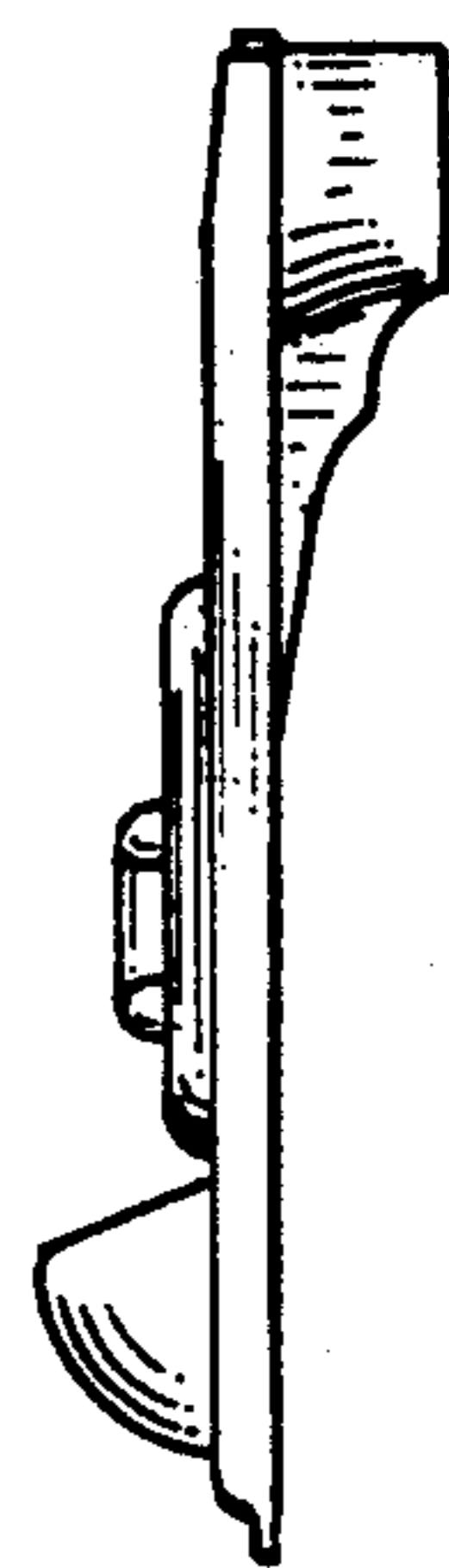
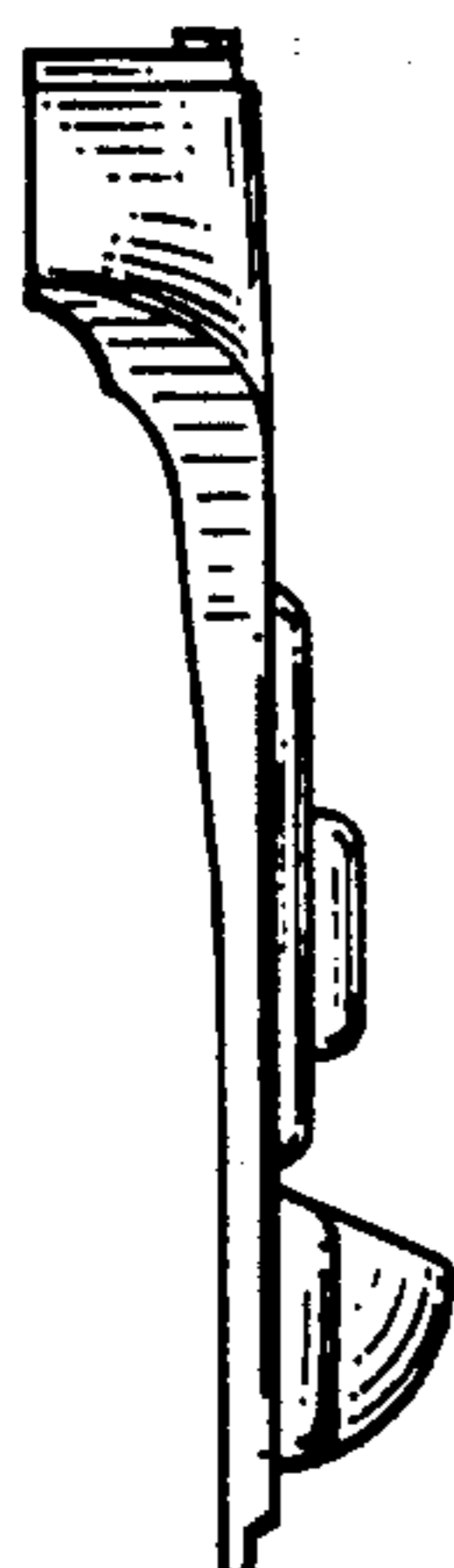
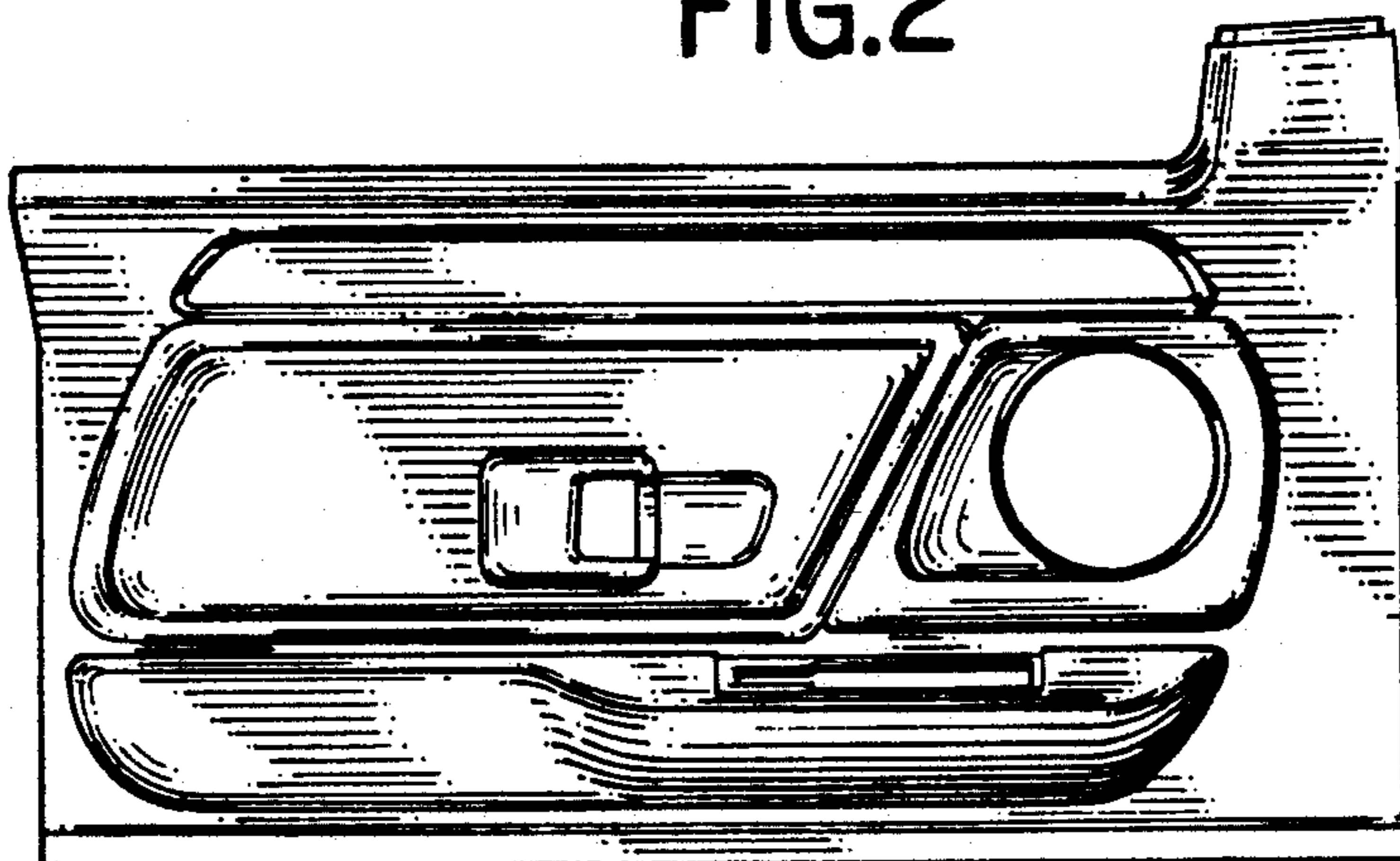


FIG.3

FIG.5

FIG.4



FIG.6



FIG. 7

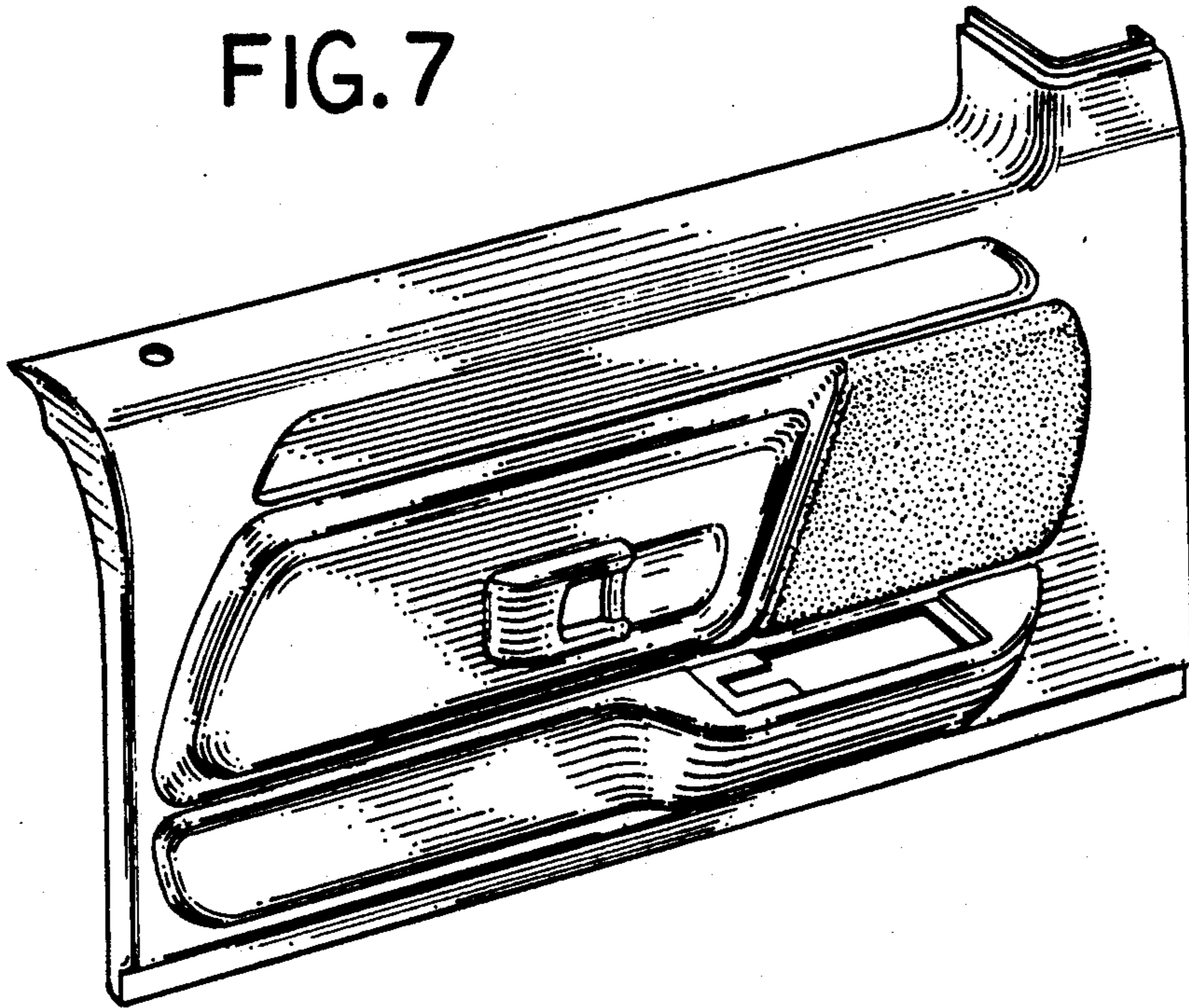


FIG. 8

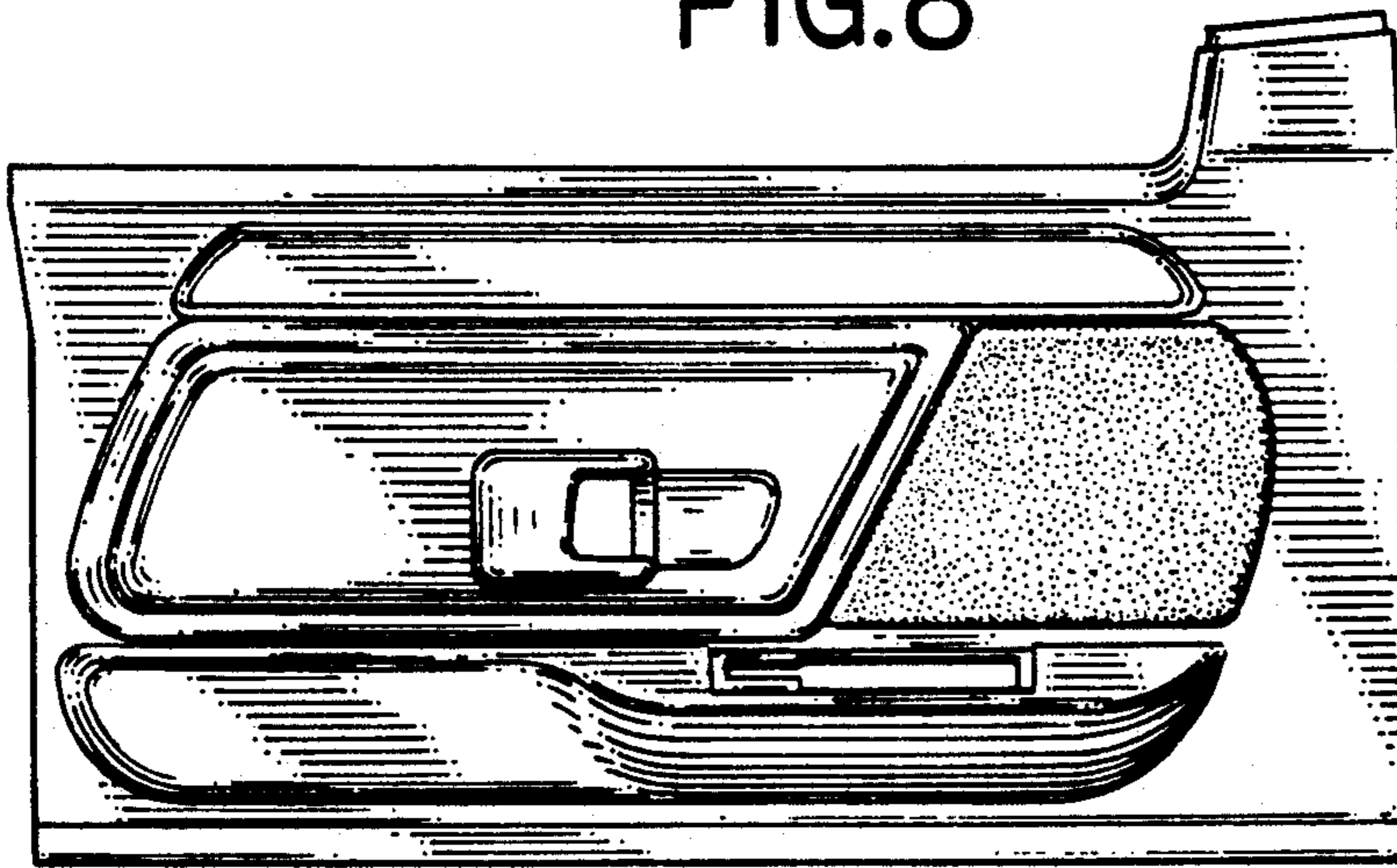


FIG. 9

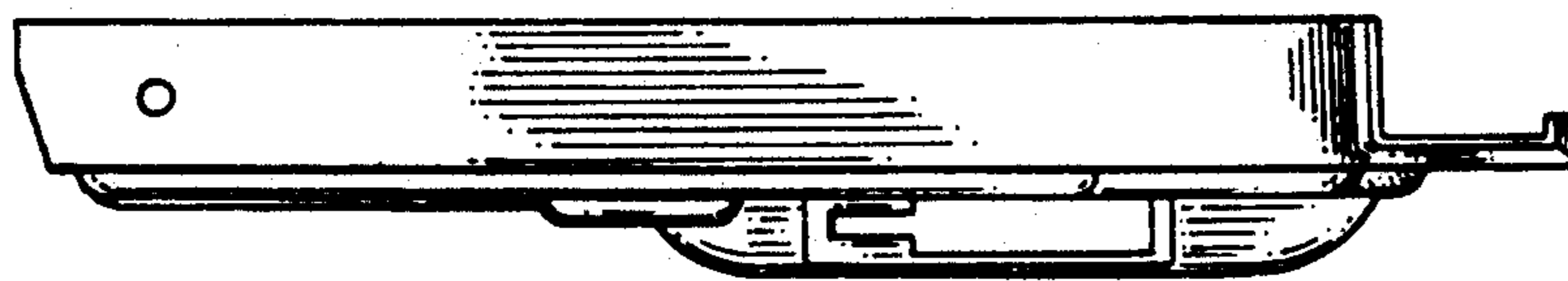
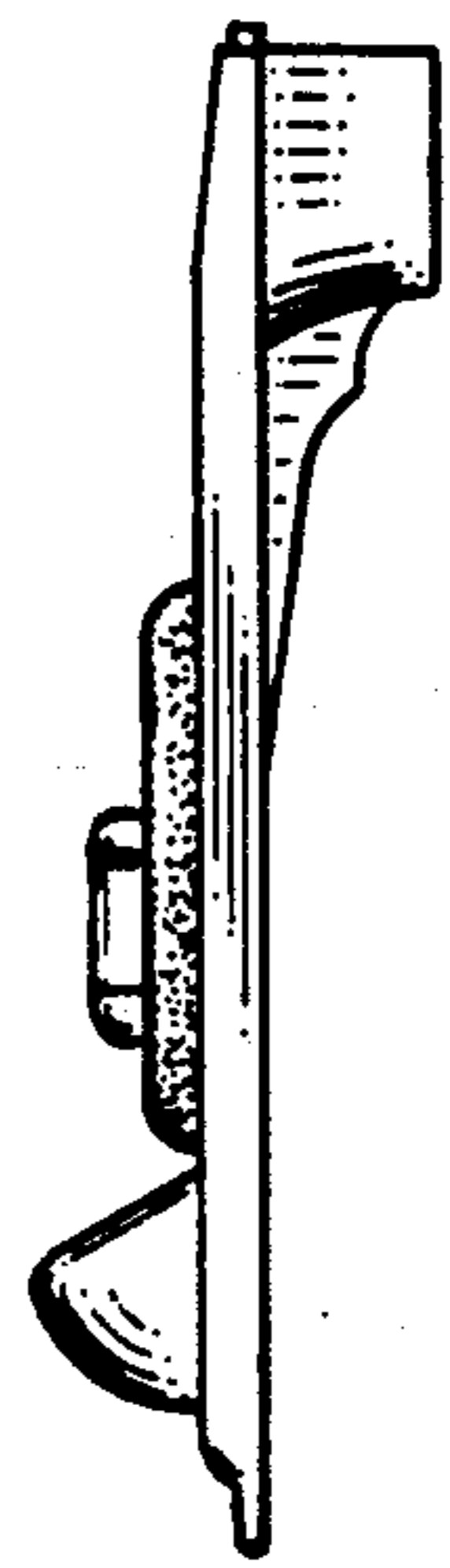


FIG. 10



FIG. 11