



US00D338864S

United States Patent [19]

[11] Patent Number: **Des. 338,864**

Morris et al.

[45] Date of Patent: **** Aug. 31, 1993**

[54] **HOLDER FOR GARAGE DOOR OPENERS**

4,828,153 5/1989 Guzik 224/252
4,887,753 12/1989 Allen 224/252

[76] Inventors: **Clarence B. Morris; Wanda Morris,**
both of 4344 Camino Montura,
Riverside, Calif. 92509

FOREIGN PATENT DOCUMENTS

788663 7/1968 Canada .
266920 2/1950 Switzerland .

[**] Term: **14 Years**

Primary Examiner—Louis S. Zarfaz
Attorney, Agent, or Firm—Terry M. Gernstein

[21] Appl. No.: **705,178**

[22] Filed: **May 24, 1991**

[57] CLAIM

[52] U.S. Cl. **D12/191; D3/40**

The ornamental design for a holder for garage door
openers, as shown and described.

[58] Field of Search D3/40, 106, 30.1, 33,
D3/35; D12/191; 224/252, 253, 42-42;
150/131

DESCRIPTION

[56] References Cited

U.S. PATENT DOCUMENTS

D. 162,834 4/1951 Janeshutz D12/191
D. 248,847 8/1978 Wooters D12/191
D. 280,466 9/1985 Seltzer et al. D3/106
D. 310,167 8/1990 Reber, II D12/191 X
2,671,384 3/1954 D'Ambrosio 150/131 X
4,741,074 5/1988 Budano 224/252

FIG. 1 is a perspective view of the holder for garage
door openers embodying the design of the present in-
vention;

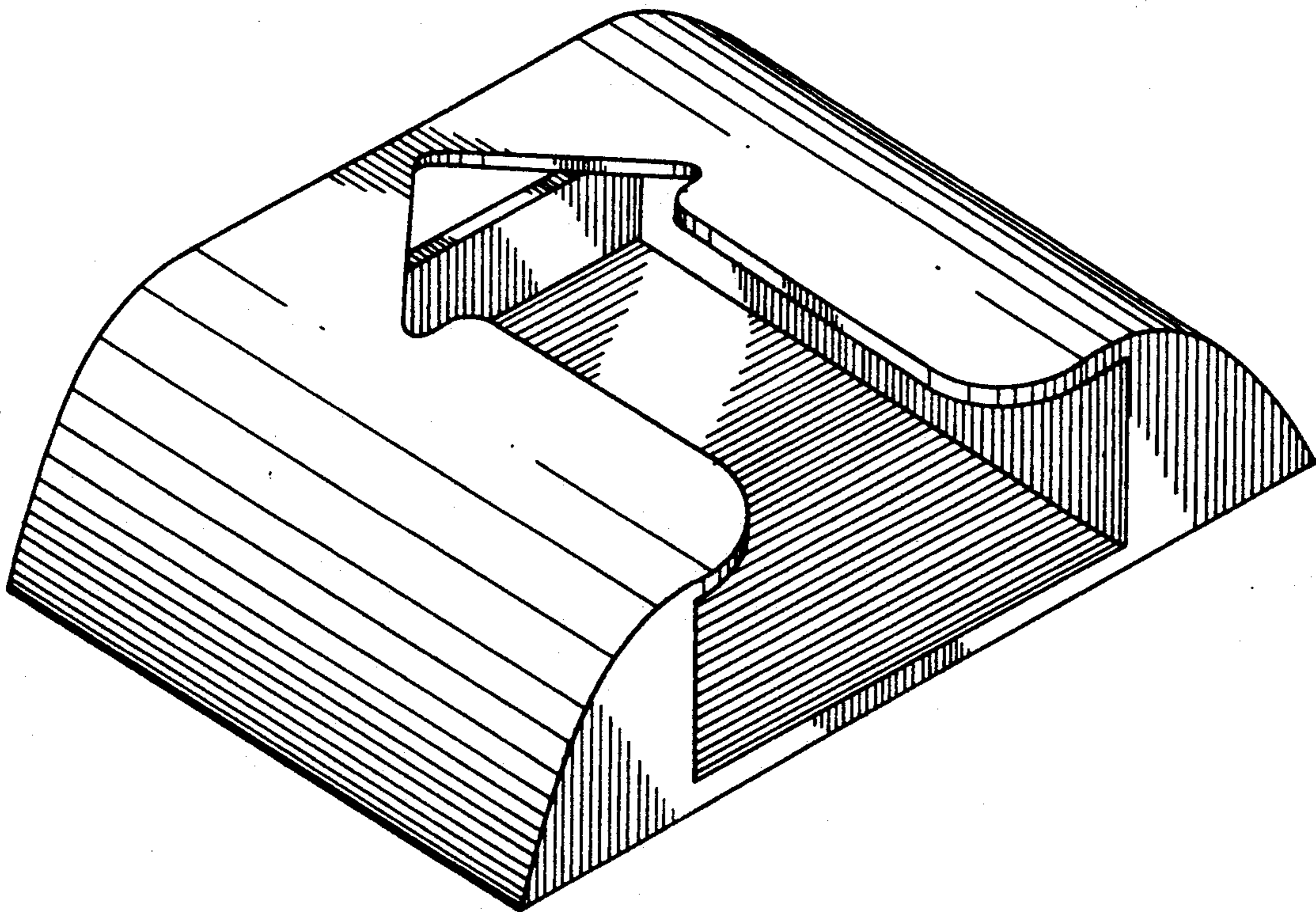
FIG. 2 is a front elevational view thereof;

FIG. 3 is a rear elevational view thereof;

FIG. 4 is a side elevational view thereof, the side oppo-
site being a mirror image of the side shown in FIG. 4;

FIG. 5 is a top plan view thereof; and,

FIG. 6 is a bottom view thereof.



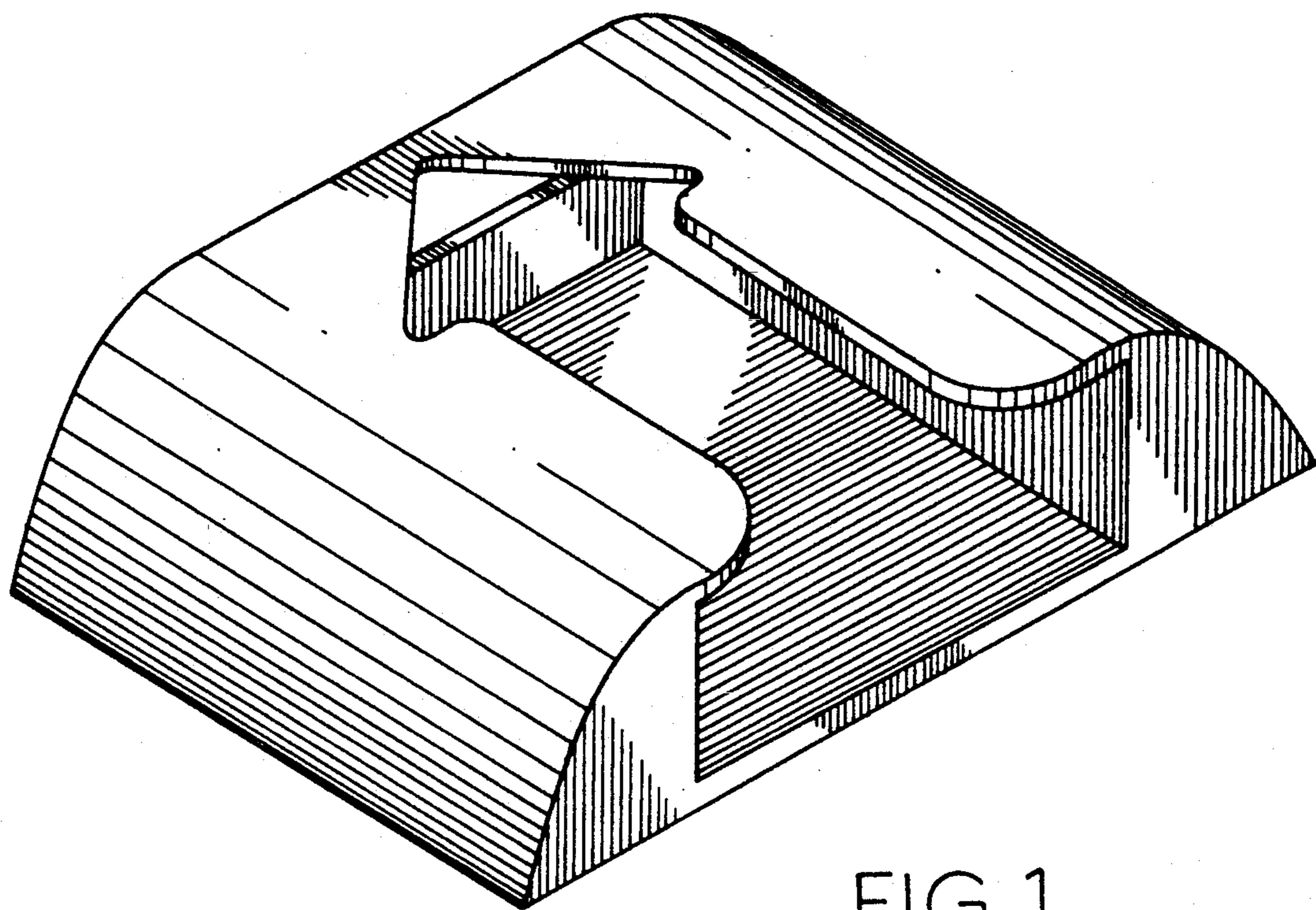


FIG. 1.

FIG. 2.

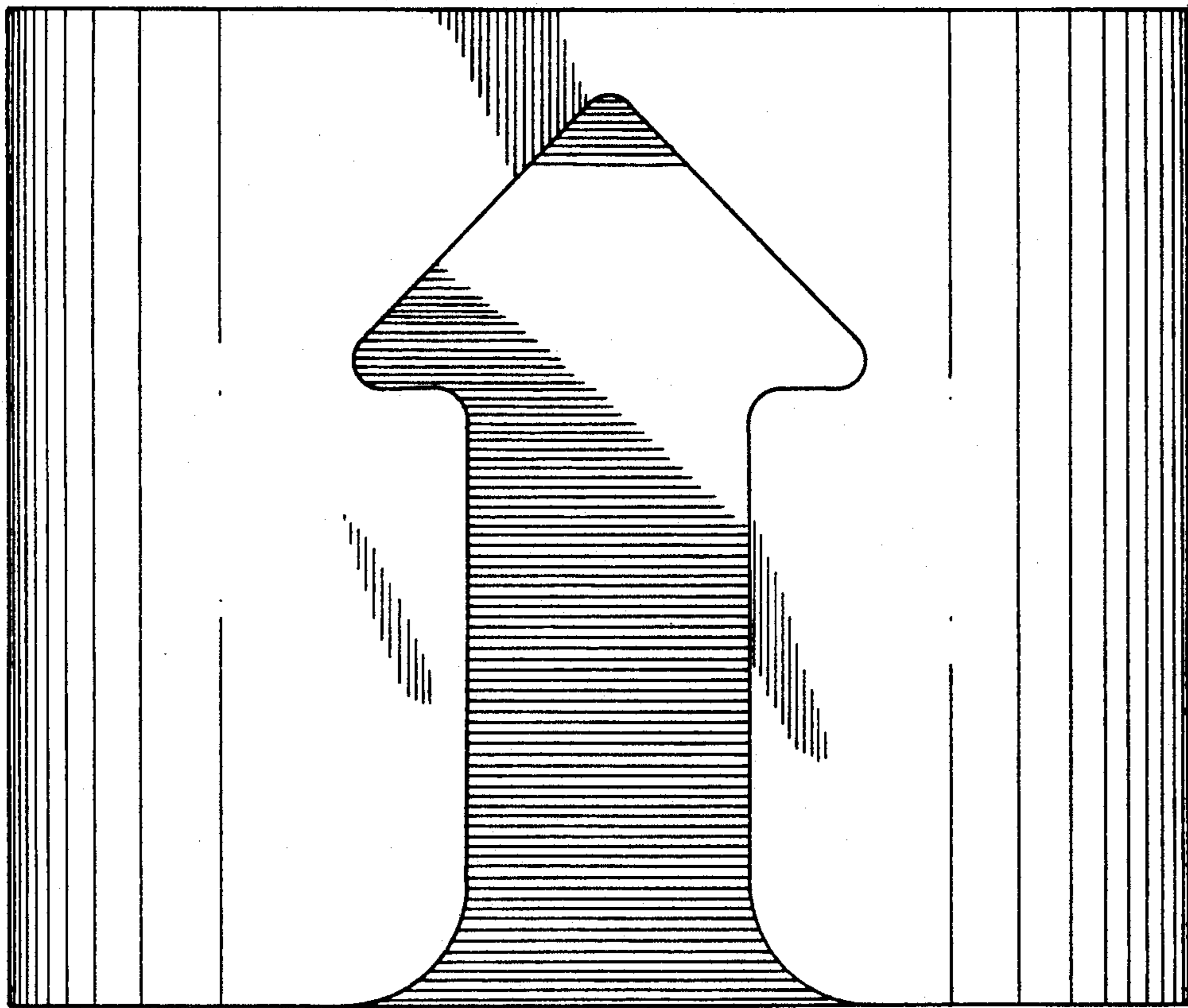
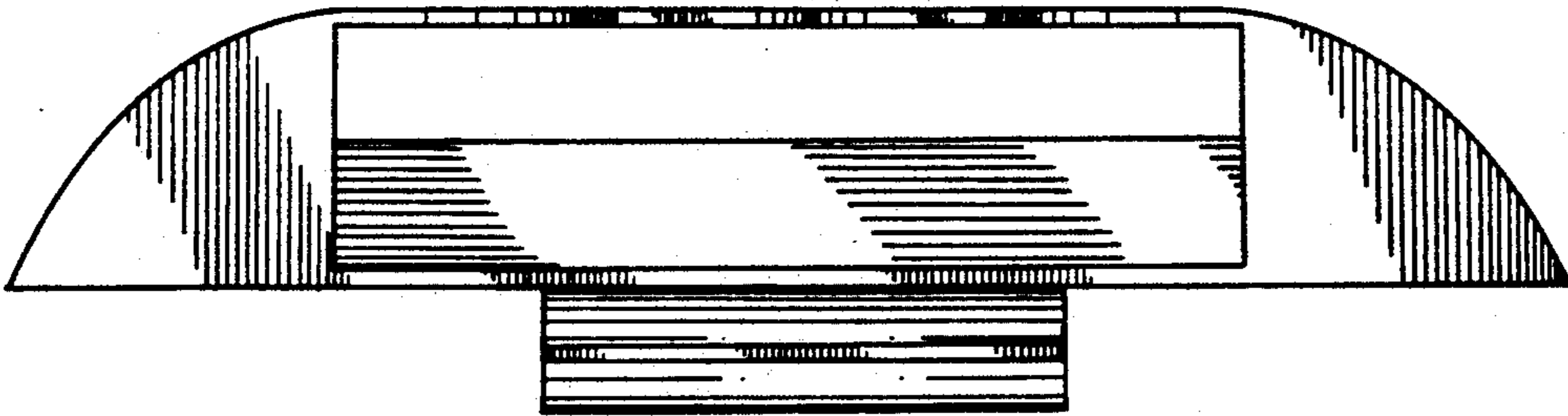


FIG. 5.

FIG. 4.

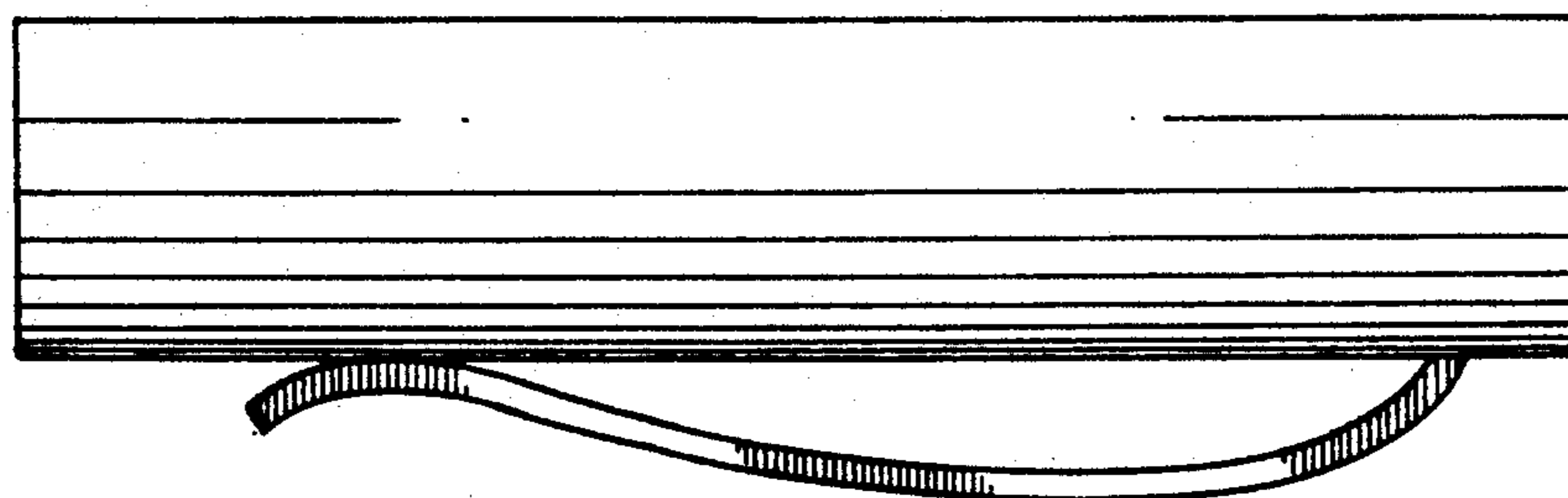


FIG. 3.

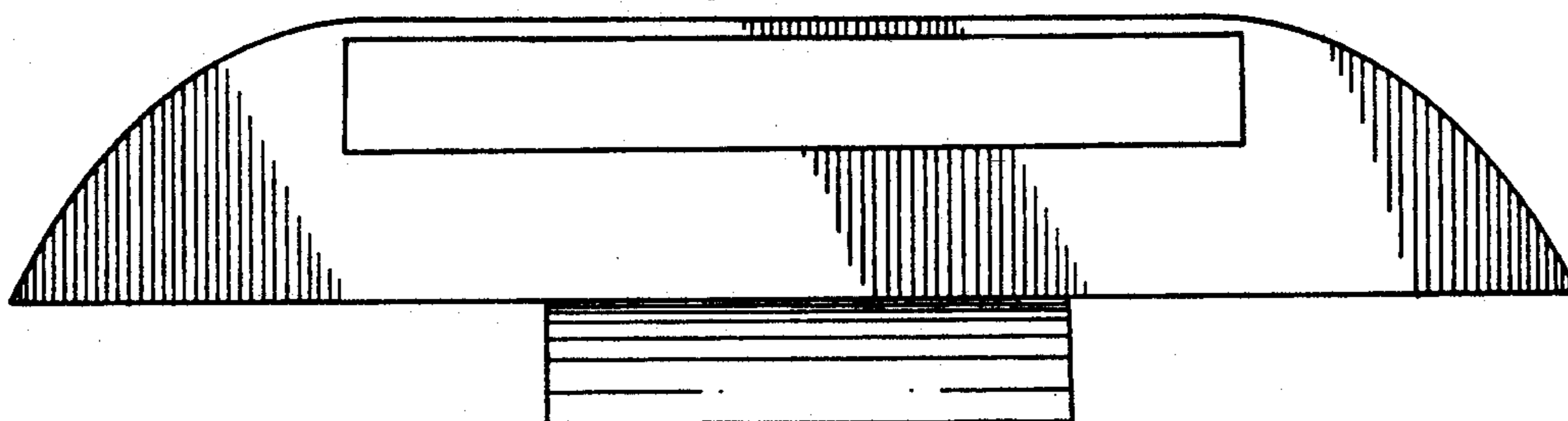


FIG. 6.

