



US00D338861S

United States Patent [19]

[11] Patent Number: **Des. 338,861**

Lataster

[45] Date of Patent: **** Aug. 31, 1993**

- [54] **VEHICLE BUMPER ATTACHED SHIN GUARD**
- [76] Inventor: **Mark A. Lataster, 52 N. Pine St., Newark, Ohio 43055**
- [**] Term: **14 Years**
- [21] Appl. No.: **741,164**
- [22] Filed: **Aug. 7, 1991**
- [52] U.S. Cl. **D12/167**
- [58] Field of Search **D12/169, 172; 293/102, 293/103, 115, 38, 1**

flyer, Rear Guards for Station Wagons, bottom right side of page.

Primary Examiner—James M. Gandy
Attorney, Agent, or Firm—Terry M. Gernstein

[57] CLAIM

The ornamental design for a vehicle bumper attached shin guard, as shown and described.

DESCRIPTION

FIG. 1 is a perspective view of the vehicle bumper attached shin guard embodying the design of the present invention;

FIG. 2 is an end elevational view thereof;

FIG. 3 is an opposite end elevational view thereof;

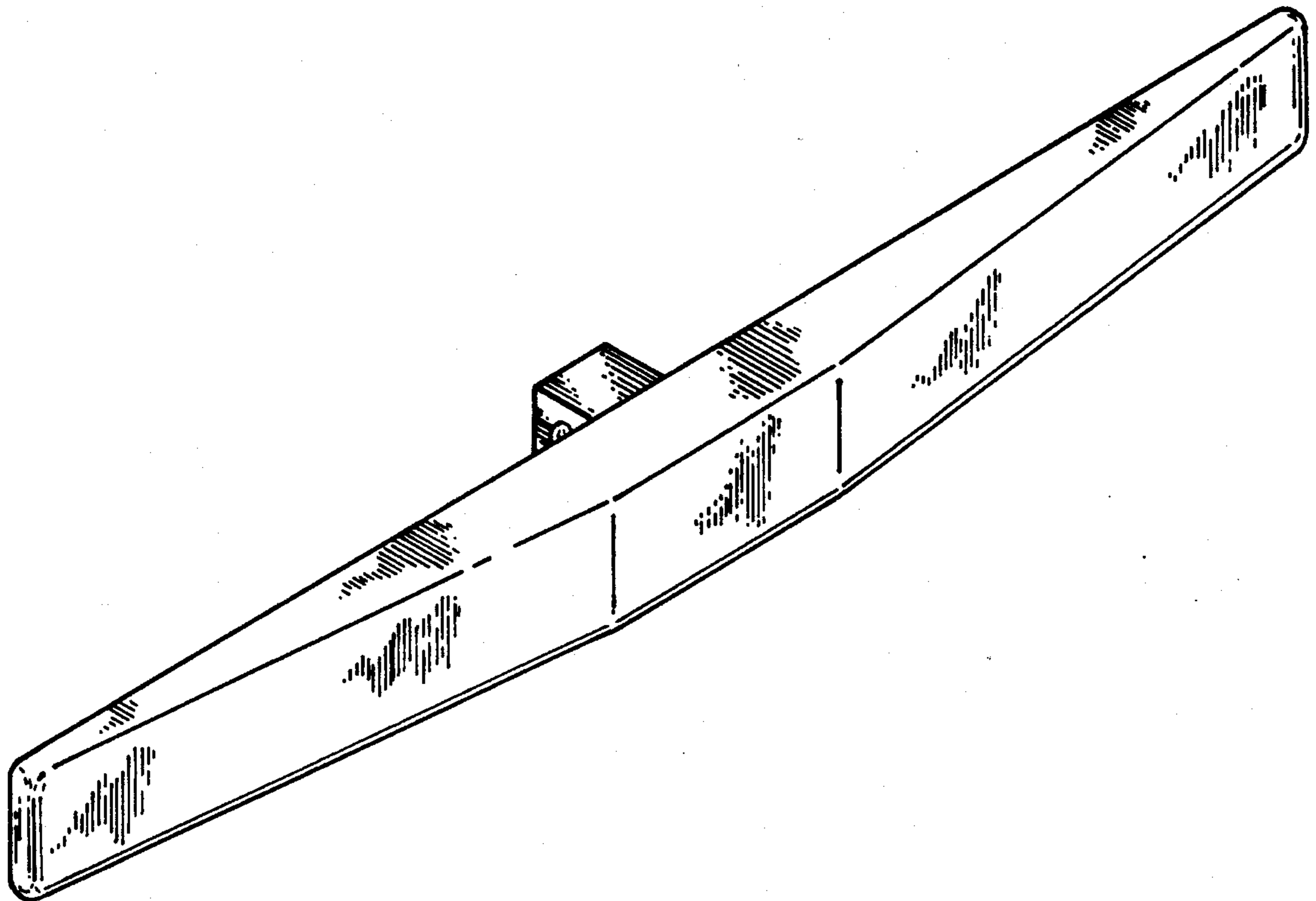
FIG. 4 is a front elevational view thereof;

FIG. 5 is a rear elevational view thereof;

FIG. 6 is a top plan view thereof; and,

FIG. 7 is a bottom view thereof.

- [56] **References Cited**
- U.S. PATENT DOCUMENTS**
- D. 294,138 2/1988 Heyman D12/167
- 4,738,293 4/1988 Ostrom 280/507
- 4,861,062 8/1989 Stidsen 280/507
- 4,955,968 9/1990 Beckerer 280/507
- OTHER PUBLICATIONS**
- Agidcraft Grille and Trunk Guards for 67 Model Cars



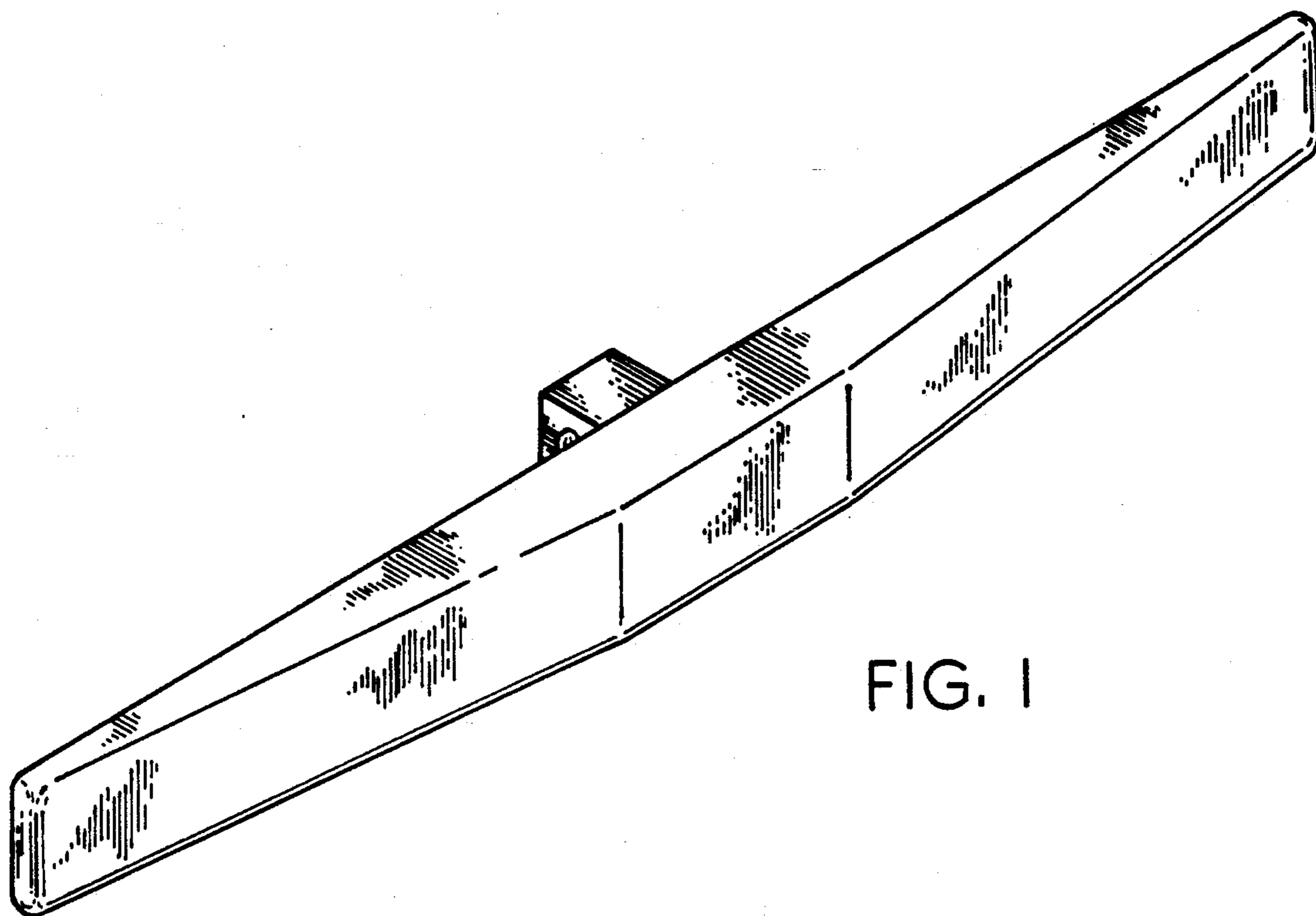


FIG. 1

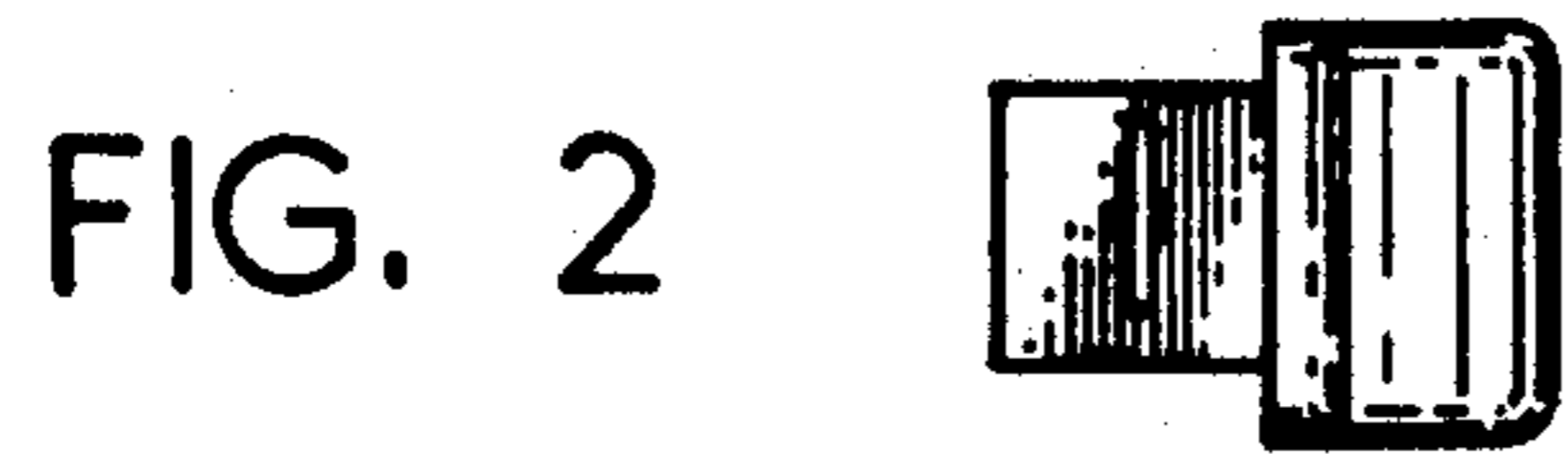


FIG. 4



FIG. 5

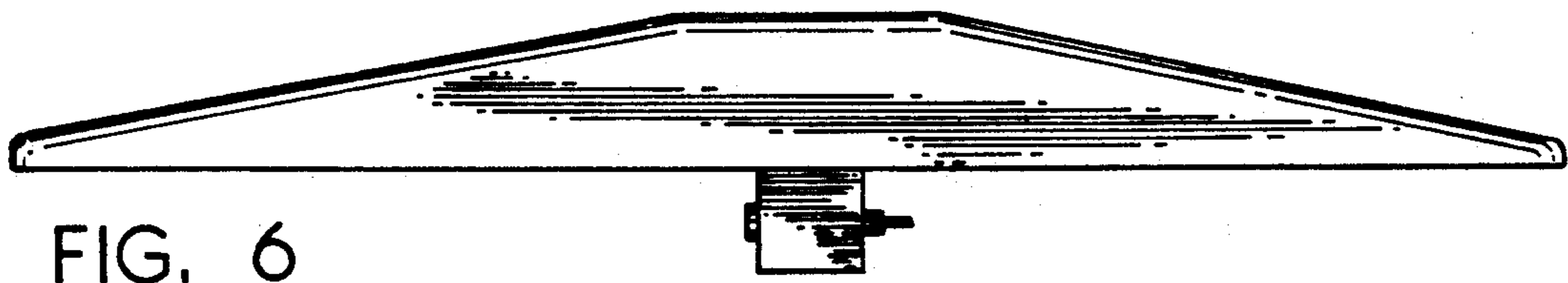


FIG. 6

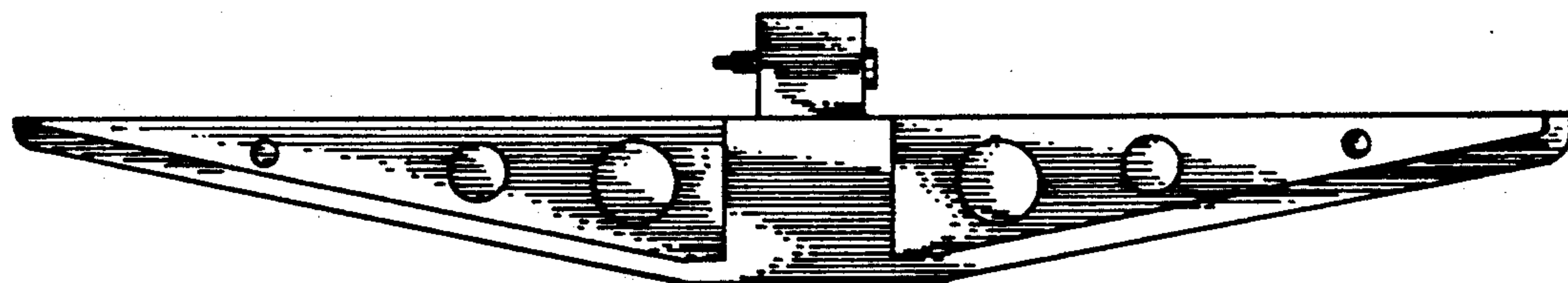


FIG. 7