



US00D338856S

United States Patent [19]

[11] Patent Number: **Des. 338,856**

Taylor

[45] Date of Patent: **** Aug. 31, 1993**

[54] **MOTOR HOME FRONT PANEL UNIT EXTERIOR SURFACE**

D. 320,584 10/1991 Partin D12/100

[75] Inventor: **Michael L. Taylor, Riverside, Calif.**

Primary Examiner—James M. Gandy
Attorney, Agent, or Firm—Price, Gess & Ubell

[73] Assignee: **Fleetwood Enterprises, Riverside, Calif.**

[57] **CLAIM**

The ornamental design for a motor home front panel unit exterior surface, as shown and described.

[**] Term: **14 Years**

DESCRIPTION

[21] Appl. No.: **844,423**

FIG. 1 is a front perspective view of the motor home front panel unit exterior surface showing the new design;

[22] Filed: **Mar. 3, 1992**

[52] U.S. Cl. **D12/100; D12/196**

FIG. 2 is a front elevational view thereof;

[58] Field of Search **D12/99, 100, 196; 296/156, 164, 192, 194**

FIG. 3 is a right side elevational view thereof;

FIG. 4 is a left side elevational view thereof, and,

FIG. 5 is a top plan view thereof.

[56] **References Cited**

U.S. PATENT DOCUMENTS

D. 319,616 9/1991 Thompson et al. D12/100

The broken line showing of a motor home body in FIG. 1 of the drawing is for illustrative purposes only and forms no part of the claimed design.

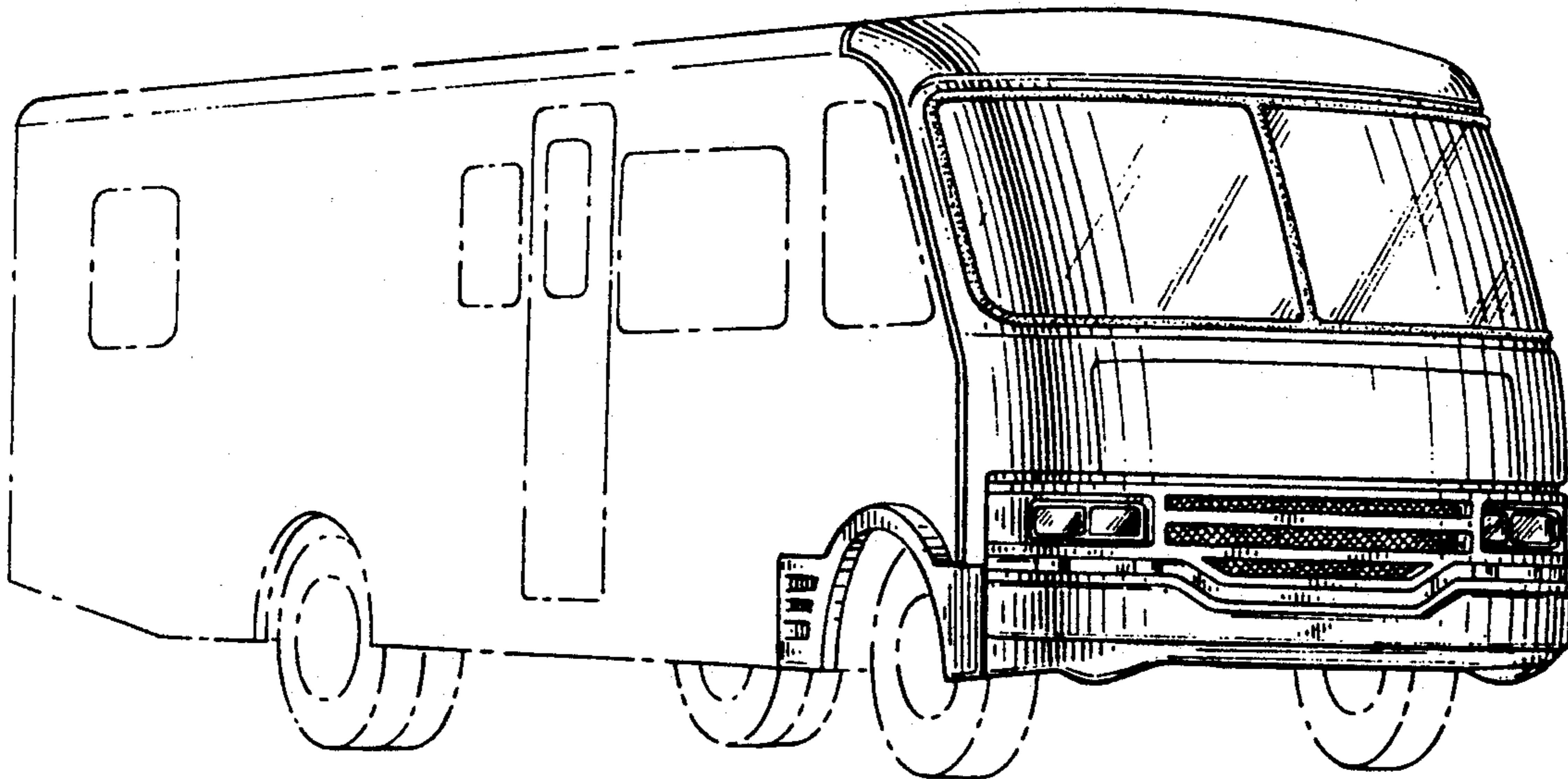


FIG. 1

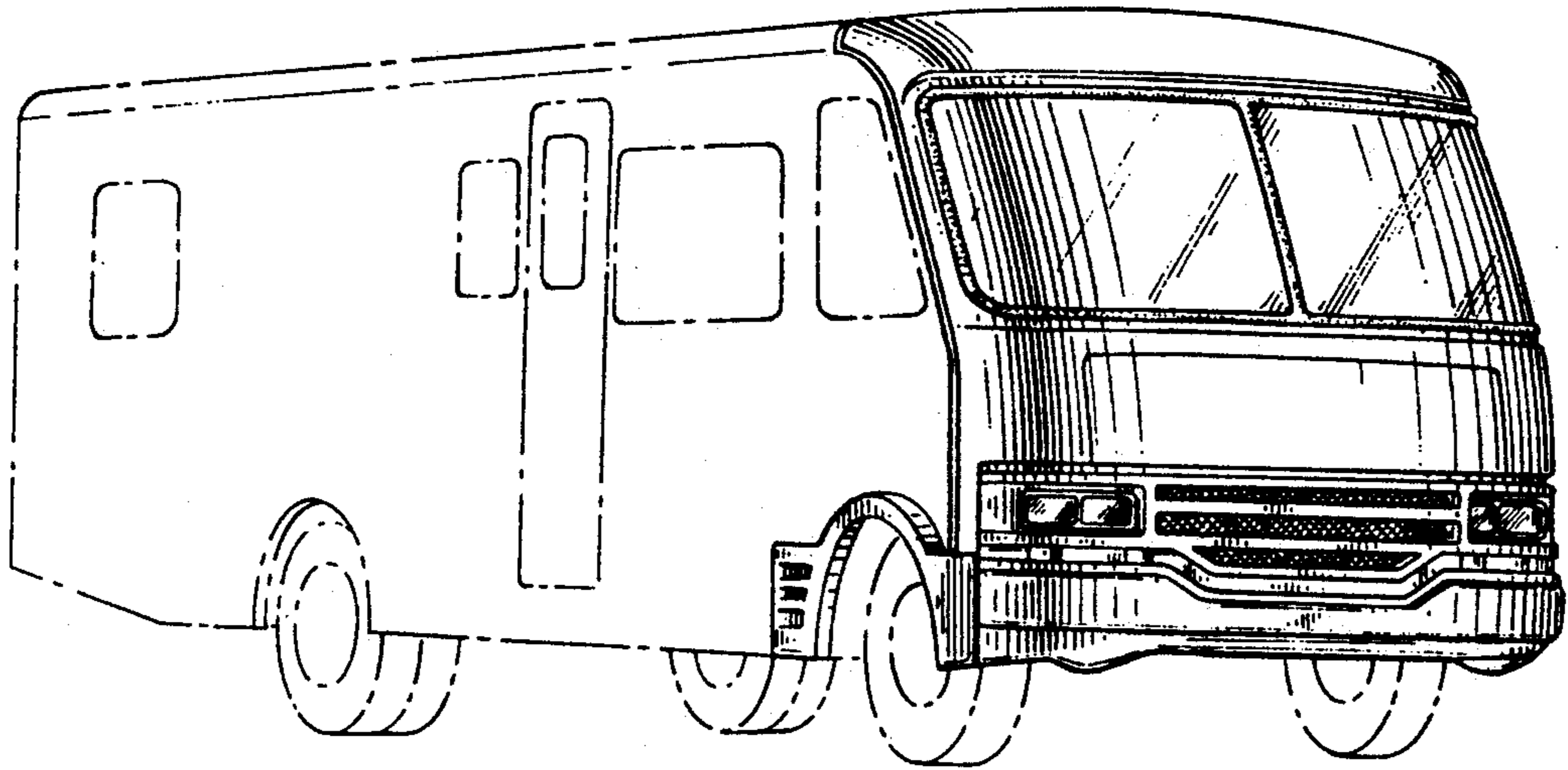


FIG. 3

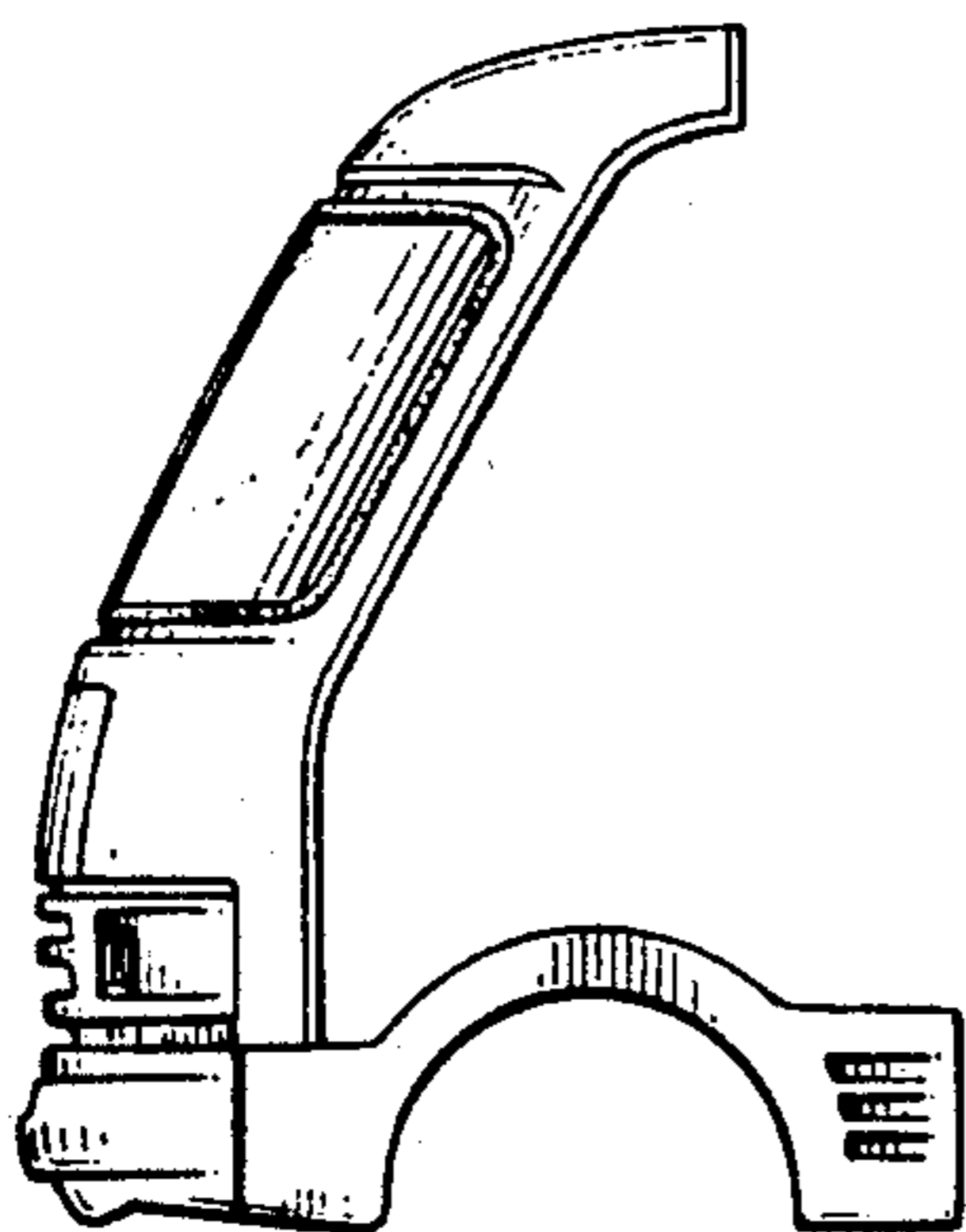


FIG. 2

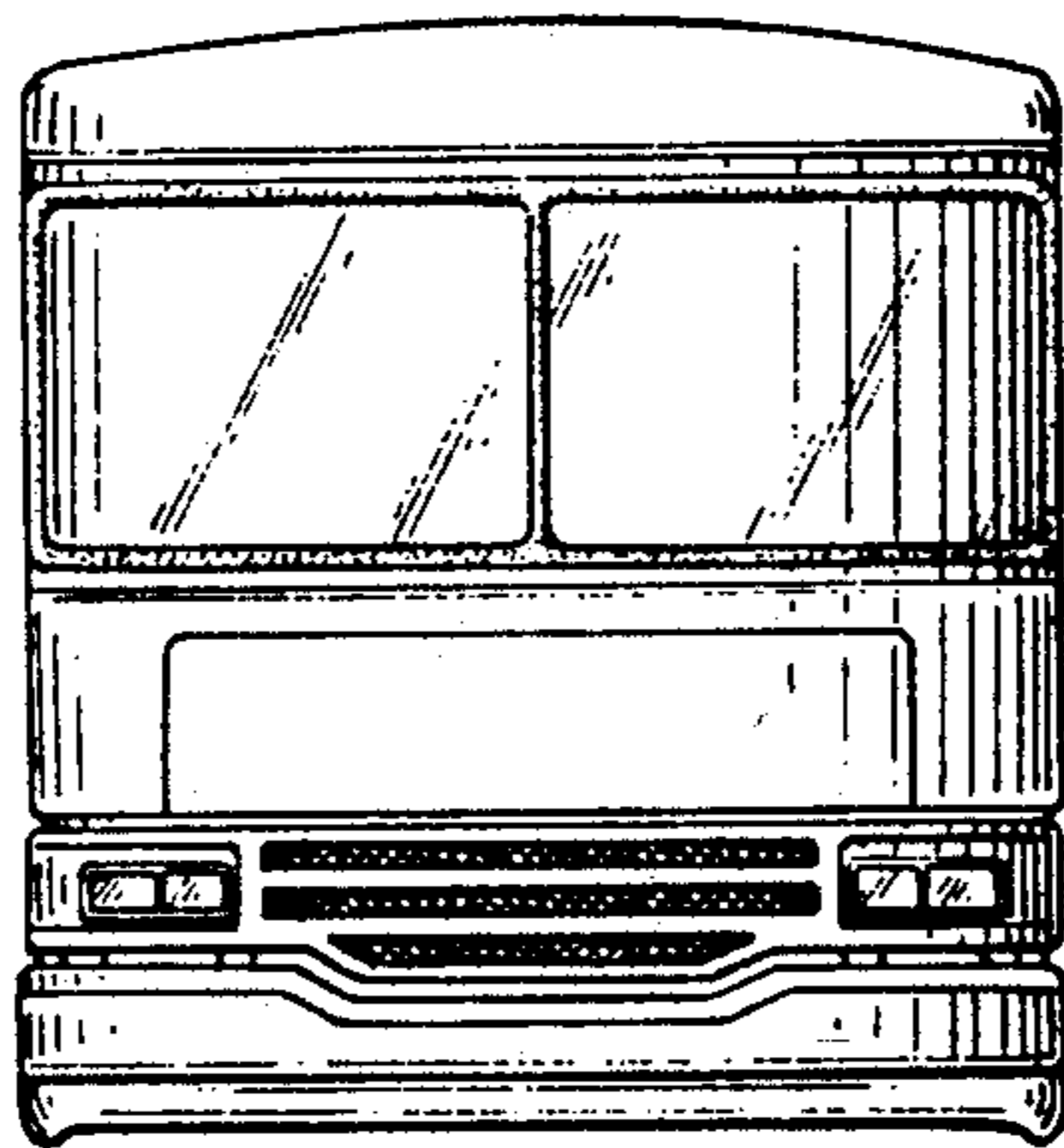


FIG. 4

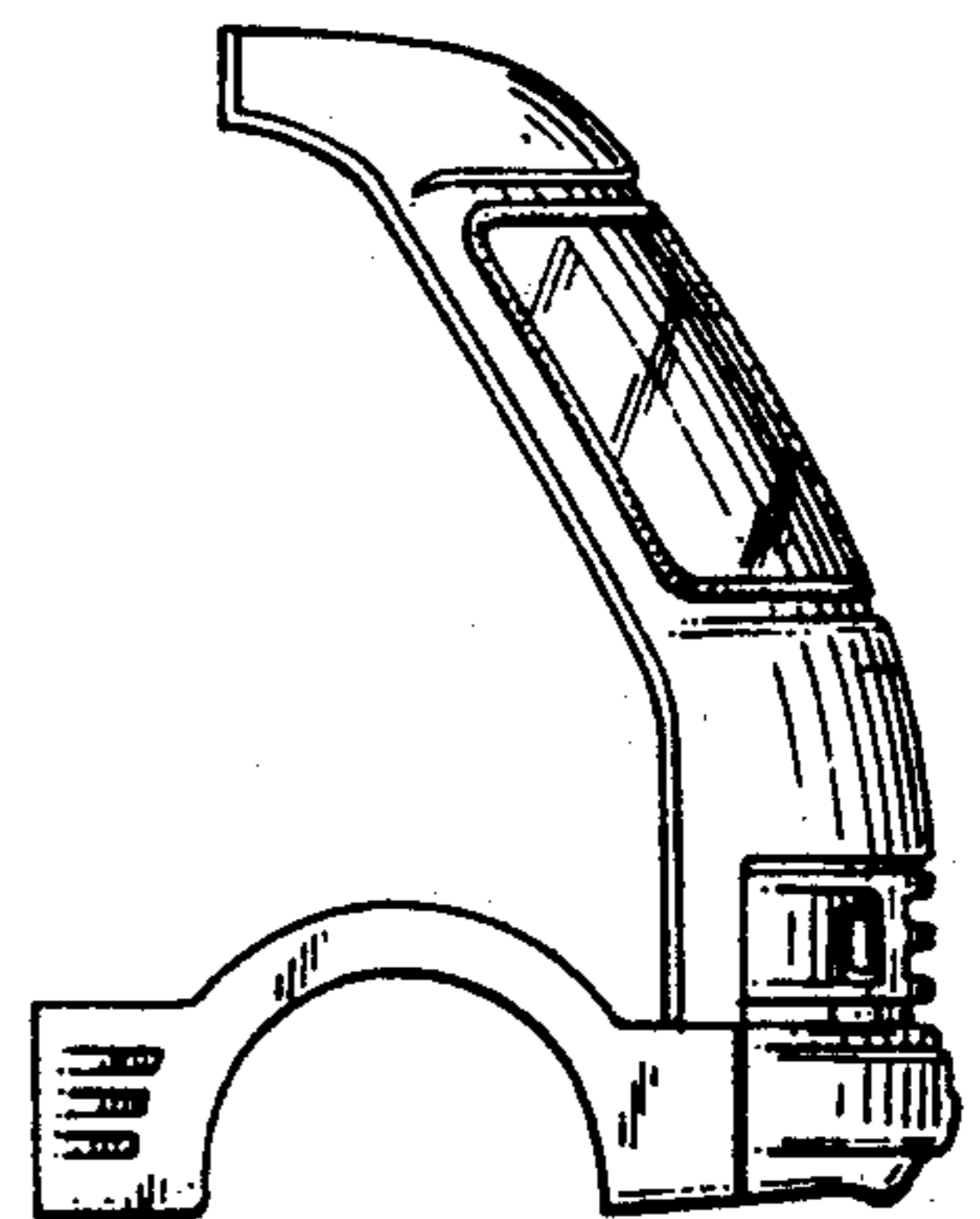


FIG. 5

