



US00D338839S

# United States Patent [19]

[11] Patent Number: **Des. 338,839**

**Akins**

[45] Date of Patent: **\*\* Aug. 31, 1993**

[54] **VALVE STEM AIR PRESSURE GAUGE FOR TIRES**

4,827,764 5/1989 Hwang ..... D10/86 X  
4,901,747 2/1990 Yabor ..... 137/227  
4,916,944 4/1990 Ho-Chuan ..... D10/86 X

[76] Inventor: **William M. Akins, 2900 Walnut Hill La., #310, Dallas, Tex. 75229**

*Primary Examiner*—Alan P. Douglas  
*Assistant Examiner*—A. D. Davis  
*Attorney, Agent, or Firm*—Timmons & Kelly

[\*\*] Term: **14 Years**

[21] Appl. No.: **775,062**

[57] **CLAIM**

[22] Filed: **Oct. 11, 1991**

The ornamental design for a valve stem air pressure gauge for tires, as shown.

[52] U.S. Cl. .... **D10/86**

[58] Field of Search ..... **D10/85, 86; 73/146, 73/146.2, 146.3, 146.4, 146.5, 146.6, 146.8**

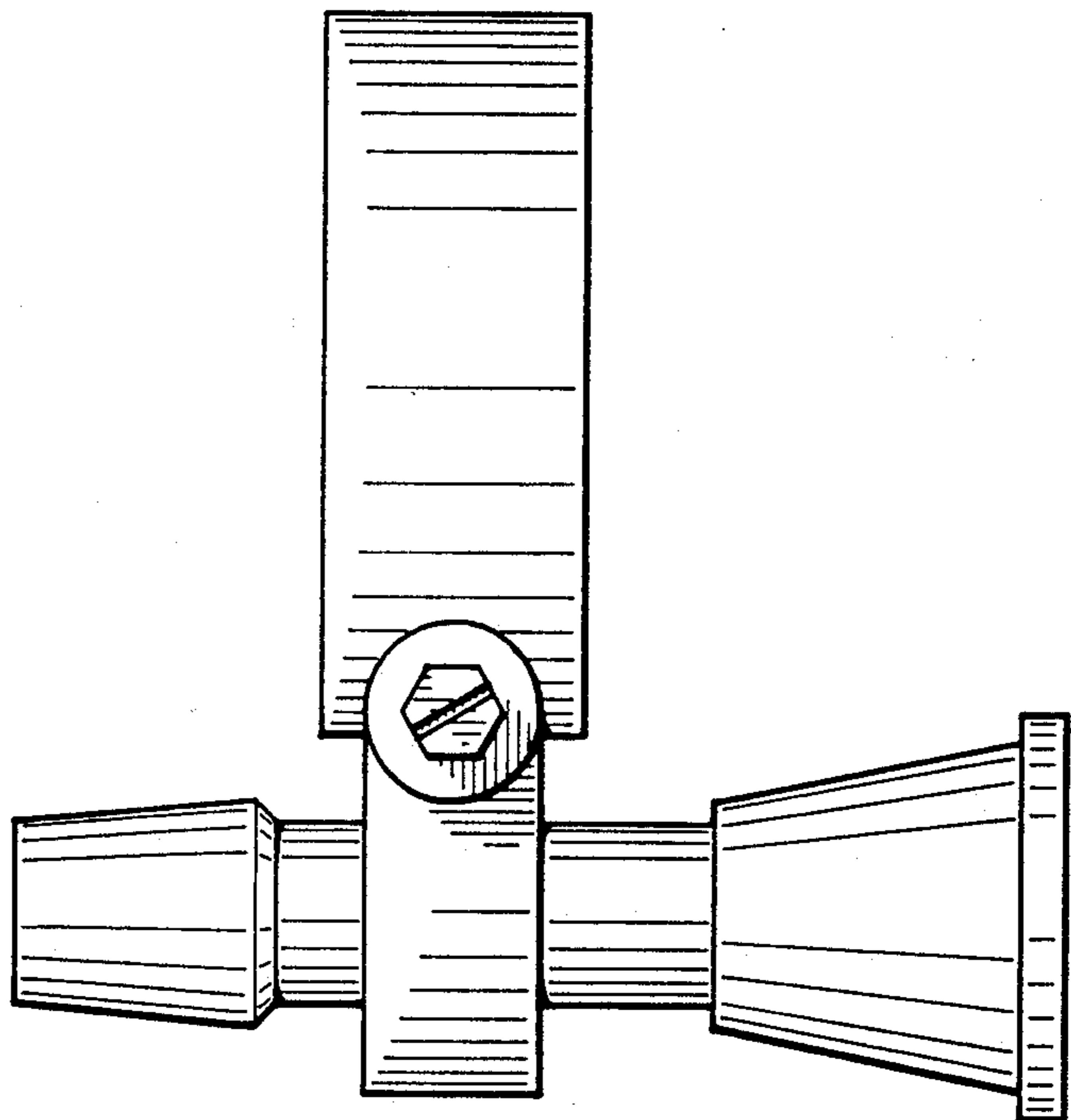
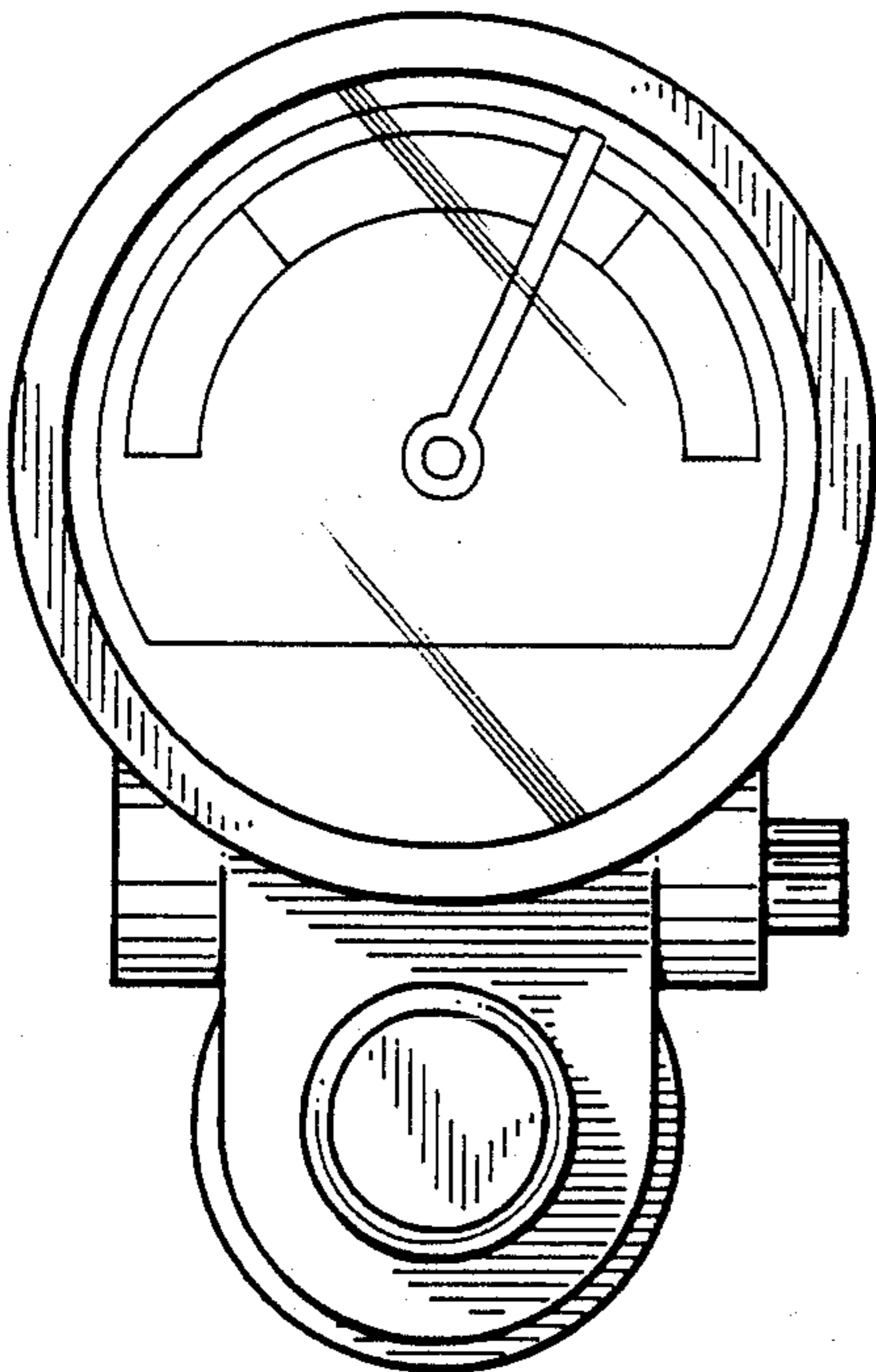
**DESCRIPTION**

[56] **References Cited**

**U.S. PATENT DOCUMENTS**

D. 212,385	10/1968	Yamada	.....	D10/86
3,610,269	4/1970	Adams	.....	137/227
3,811,459	5/1974	Schmidt	.....	137/227
3,906,988	9/1975	Mottram	.....	137/227
3,990,467	11/1976	Sargent	.....	137/227
4,244,214	1/1981	Curran	.....	73/146.8
4,262,529	4/1981	Rosenblatt et al.	.....	73/146.8
4,310,014	1/1982	Parker	.....	137/227
4,793,177	12/1988	Wu et al.	.....	73/146.8

FIG. 1 is a front elevation of the valve stem air pressure gauge for tires;  
FIG. 2 is a rear elevation of the valve stem air pressure gauge for tires;  
FIG. 3 is a right side elevation of the valve stem air pressure gauge for tires;  
FIG. 4 is a left side elevation of the valve stem air pressure gauge for tires;  
FIG. 5 is a top plan view of the bottom of the valve stem air pressure gauge for tires; and,  
FIG. 6 is a bottom plan view of the valve stem air pressure gauge for tires.



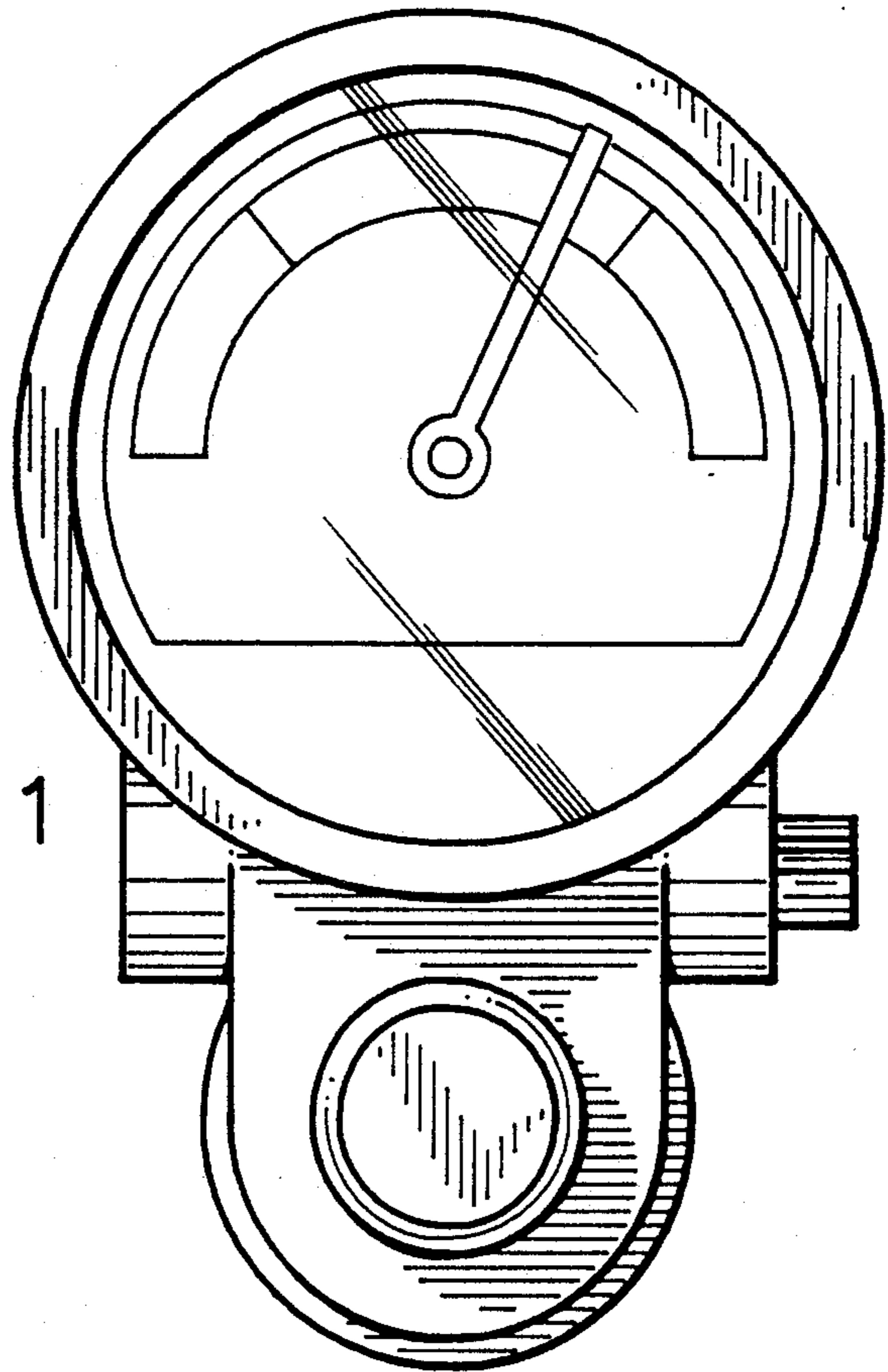


Fig. 1

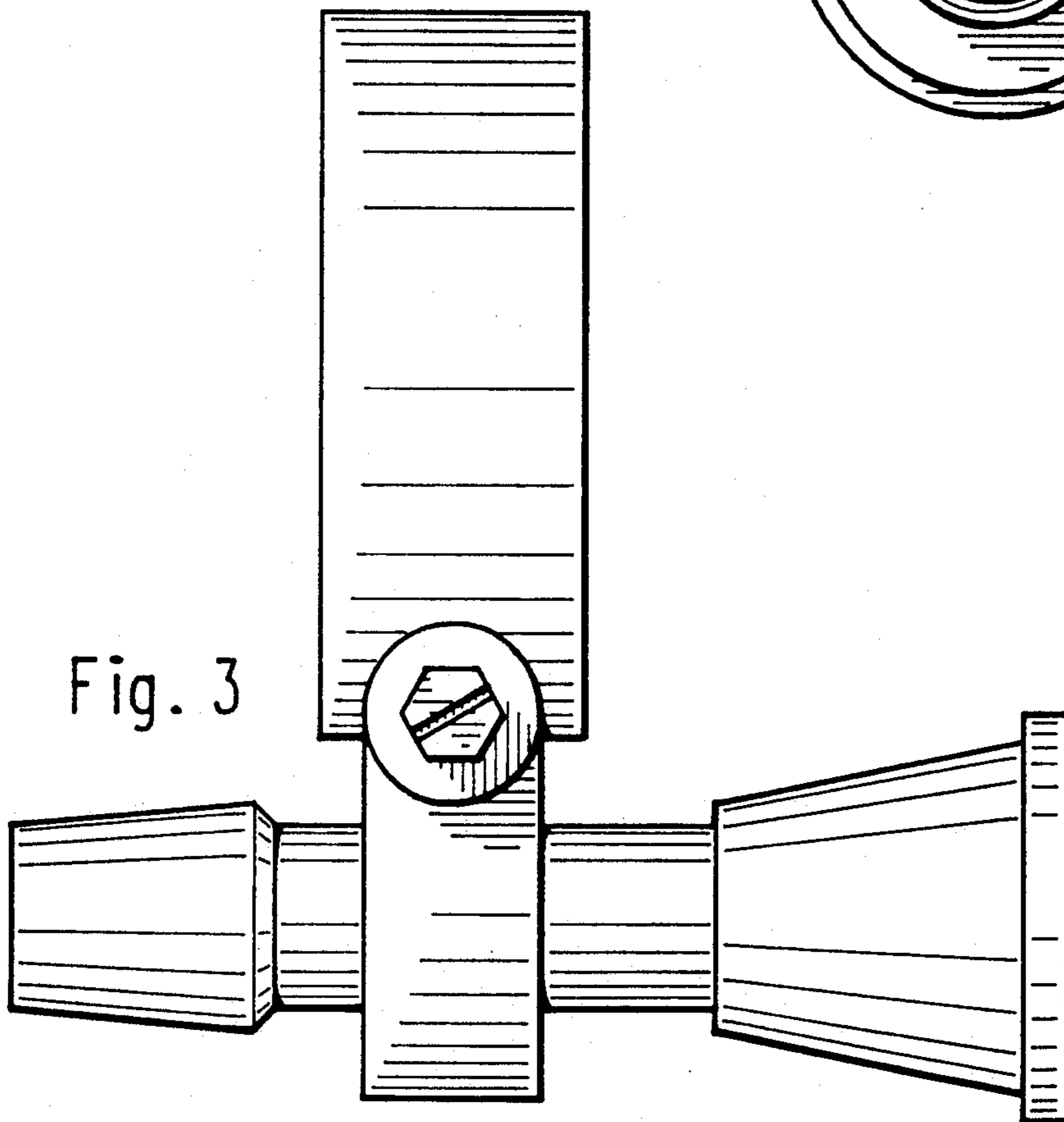


Fig. 3

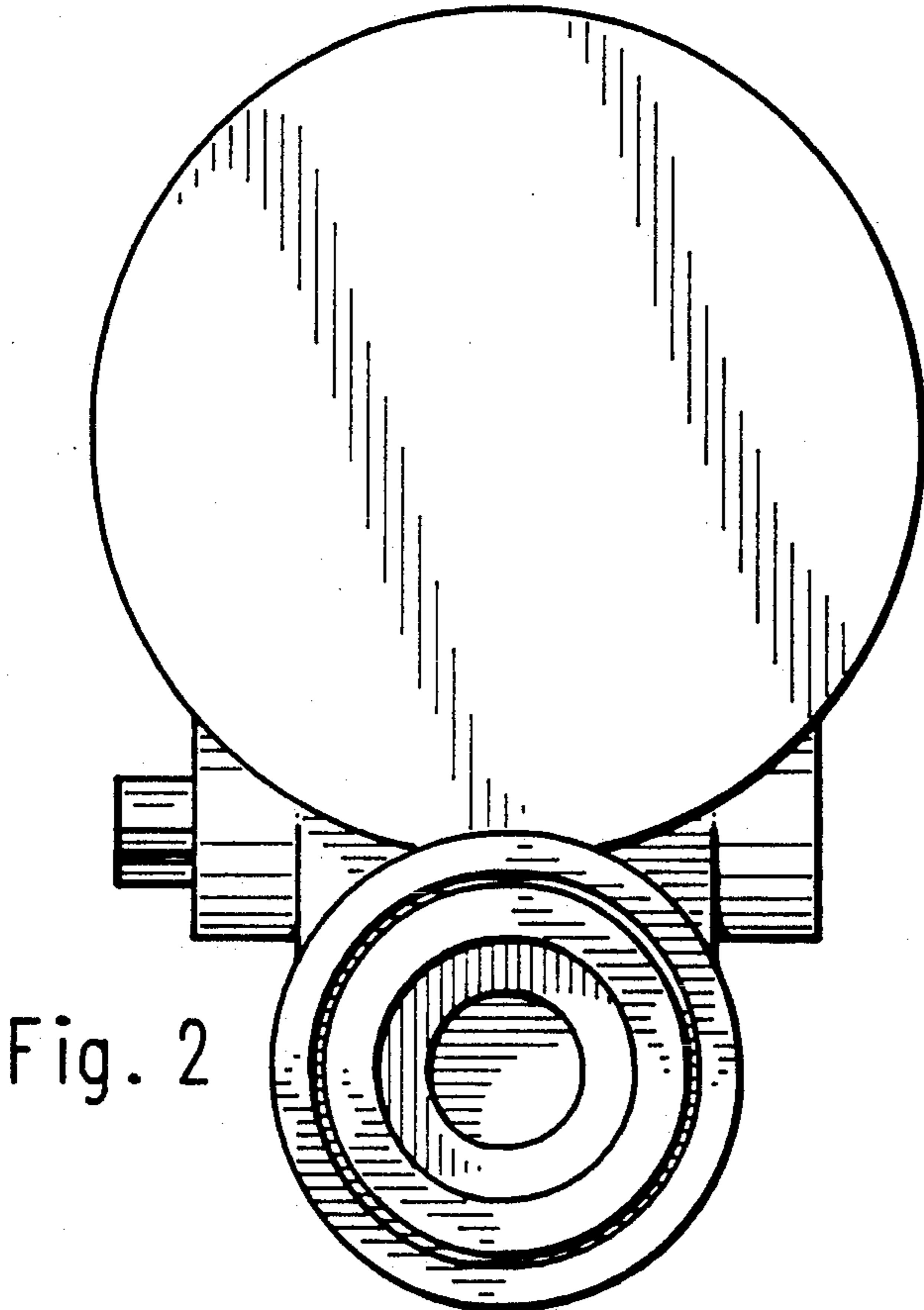


Fig. 2

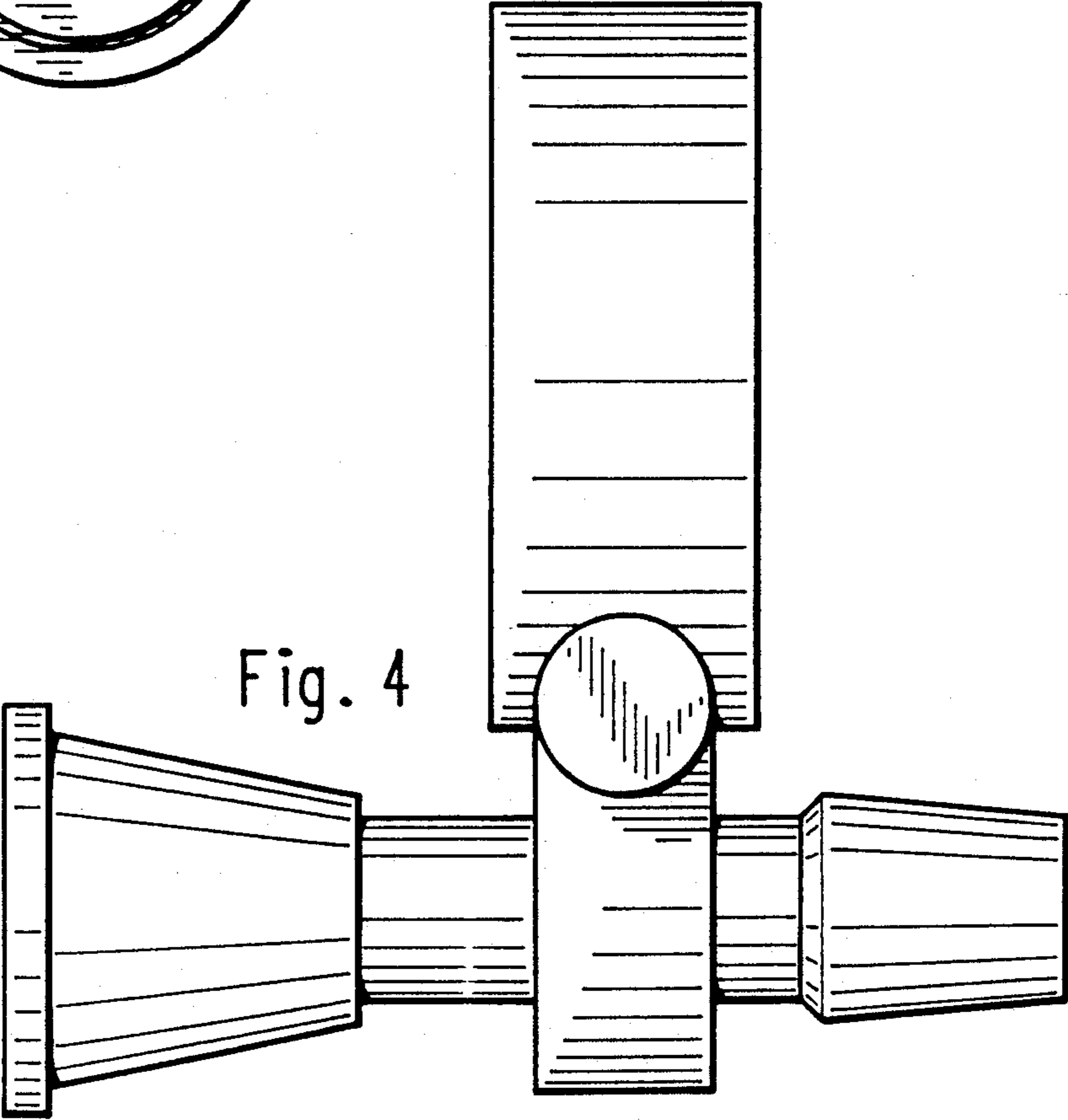


Fig. 4

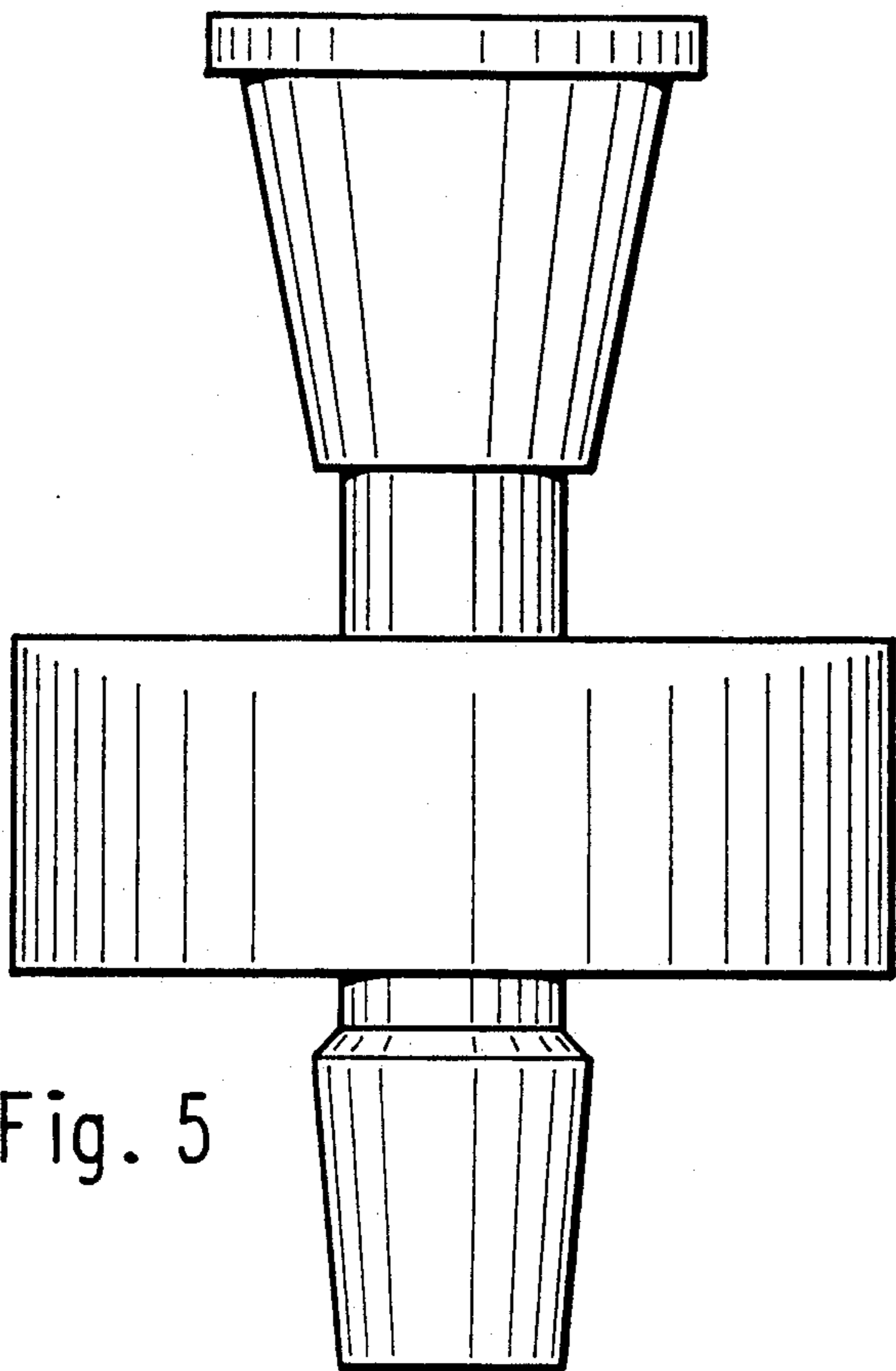


Fig. 5

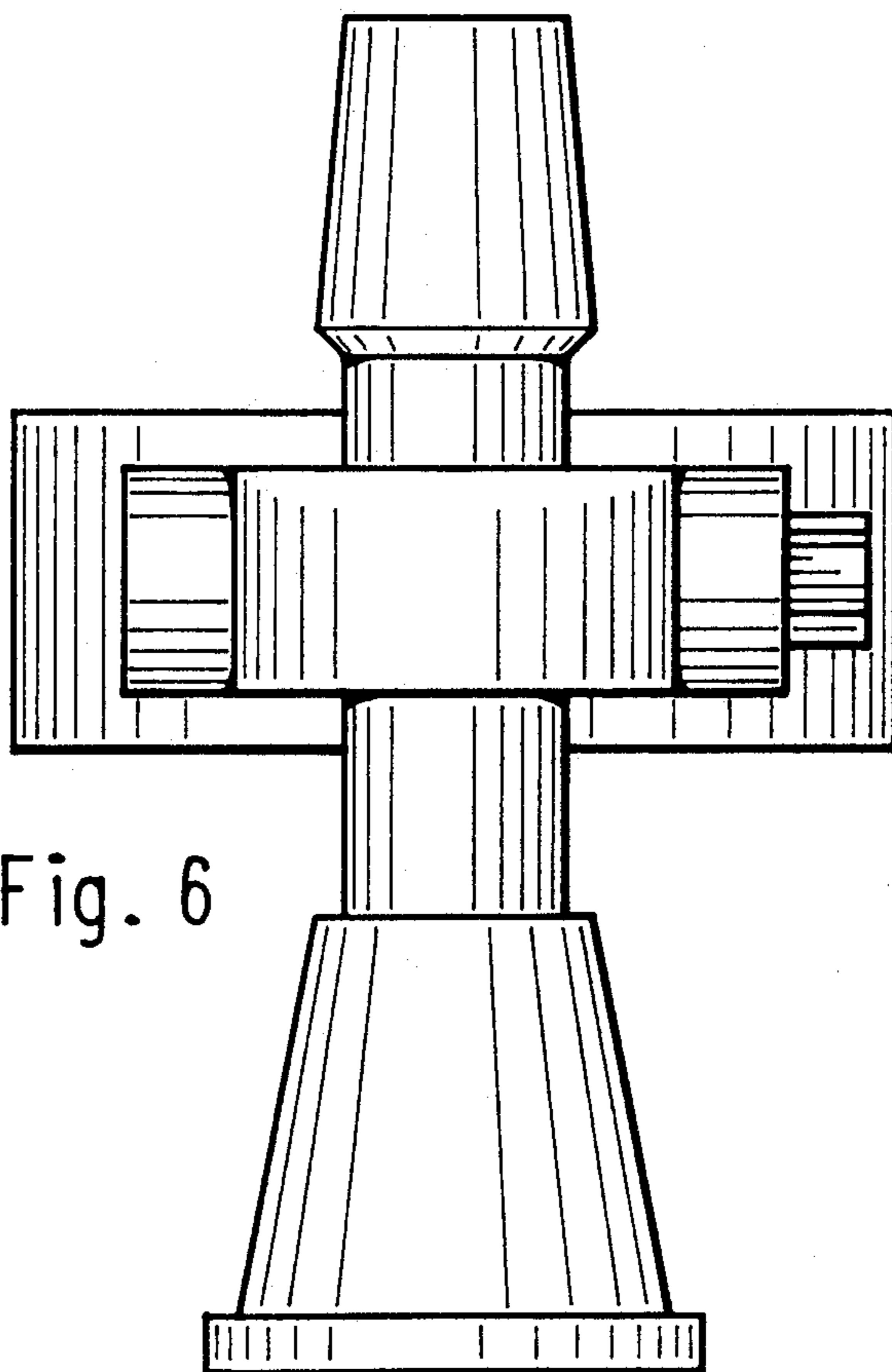


Fig. 6