



US00D338821S

United States Patent [19]

[11] Patent Number: **Des. 338,821**

Witt

[45] Date of Patent: **** Aug. 31, 1993**

[54] **ROUTER TABLE ASSEMBLY PLATE LEVELER**

4,699,346 10/1987 Bahm 108/90
4,875,513 10/1989 Skarsten 108/90

[76] Inventor: **Bradley R. Witt, 5323 W. Kimberly Rd., Davenport, Iowa 52806**

Primary Examiner—Alan P. Douglas
Assistant Examiner—J. H. Musgrove
Attorney, Agent, or Firm—Robert O. Richardson

[**] Term: **14 Years**

[57] **CLAIM**

[21] Appl. No.: **717,119**

The ornamental design for a router table assembly plate leveler, as shown and described.

[22] Filed: **Jun. 18, 1991**

[52] U.S. Cl. **D8/71**

DESCRIPTION

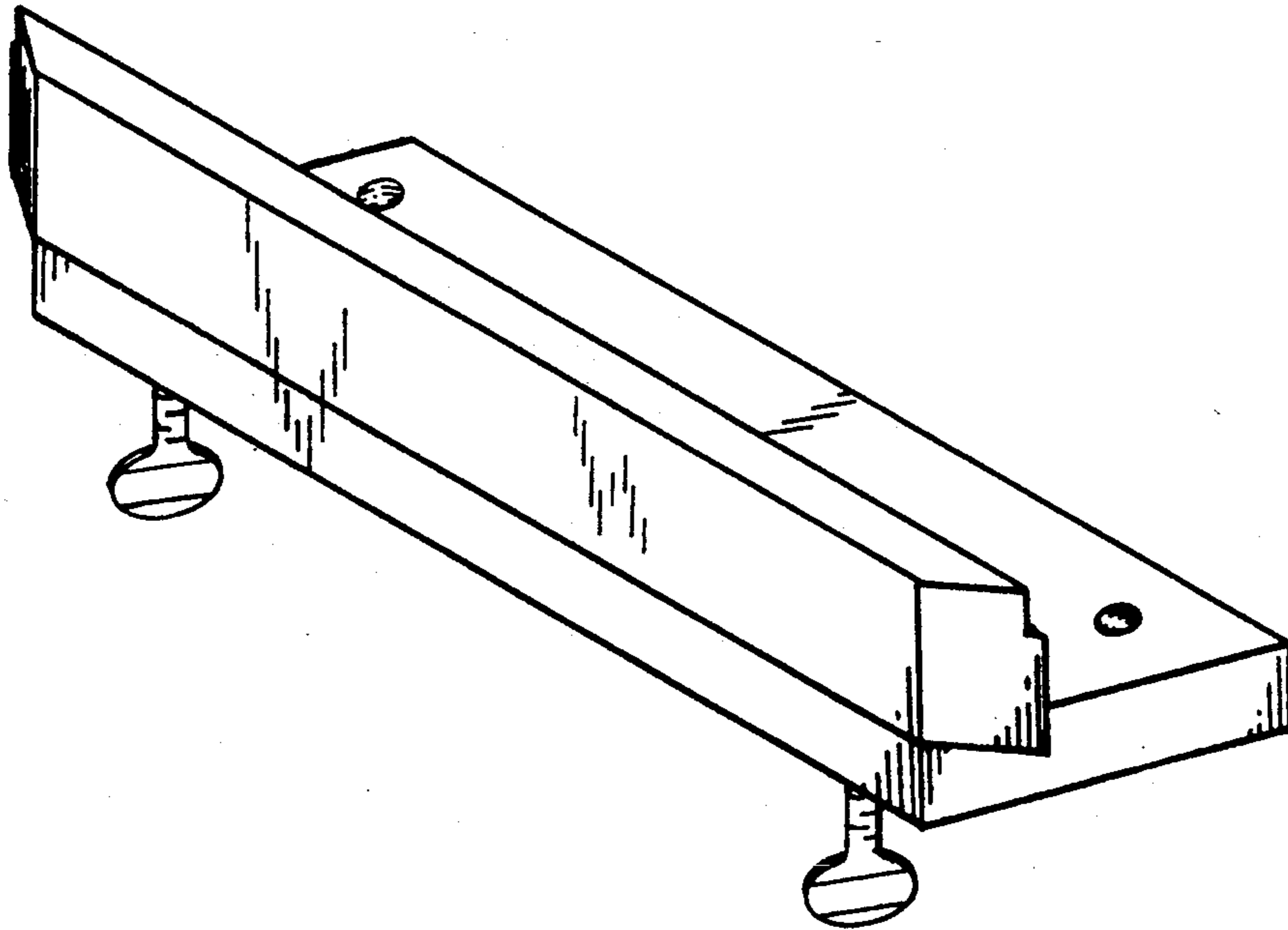
[58] Field of Search **D8/71; 108/47, 28, 90, 108/97, 13; 248/454, 447, 167, 455**

FIG. 1 is a perspective view of a router table assembly plate leveler, showing my new design;
FIG. 2 is an elevational view of one side, the other side being identical;
FIG. 3 is a bottom view; and,
FIG. 4 is a rear view.

[56] **References Cited**

U.S. PATENT DOCUMENTS

4,050,659 9/1977 McCannon et al. 248/678



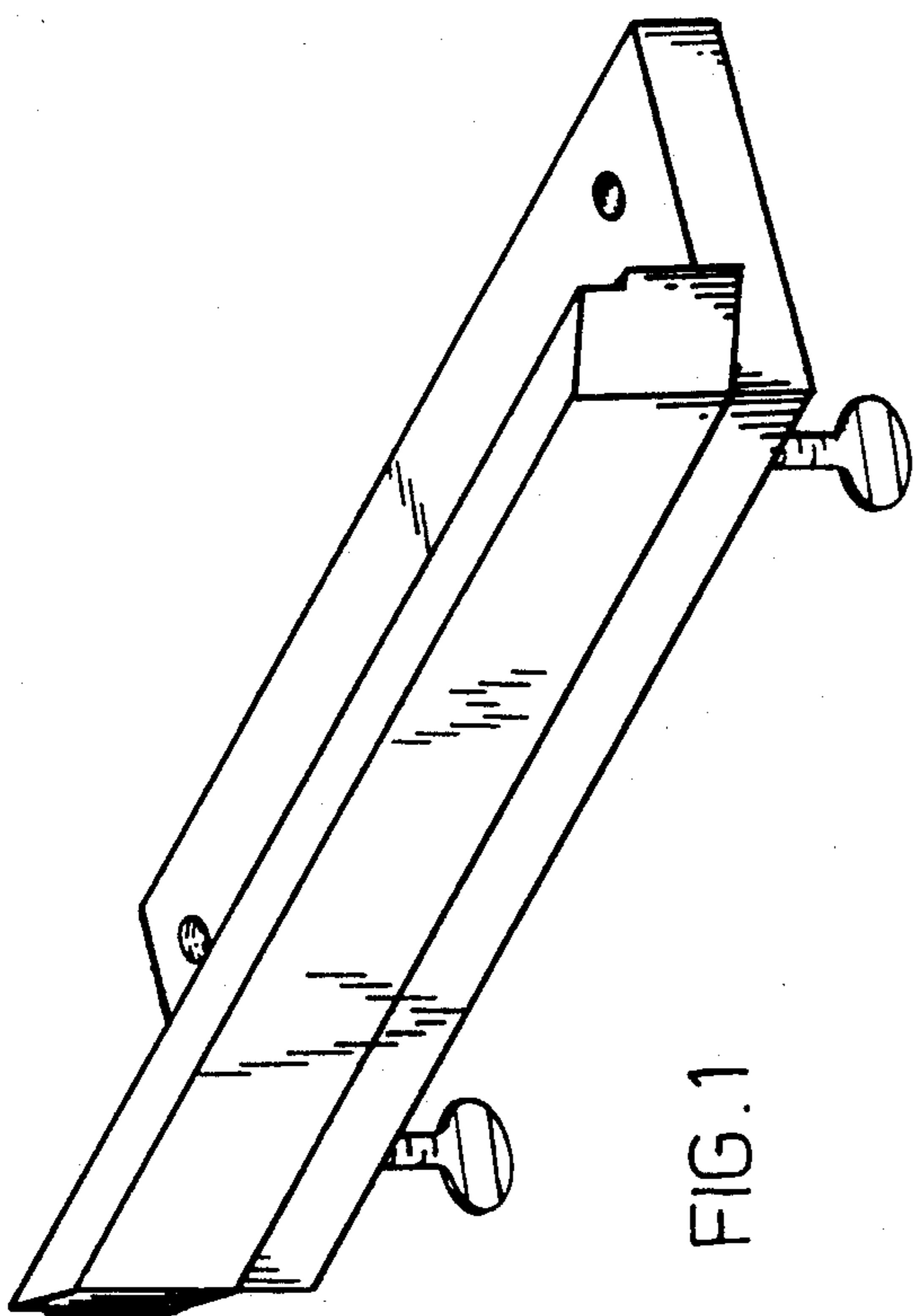


FIG. 1

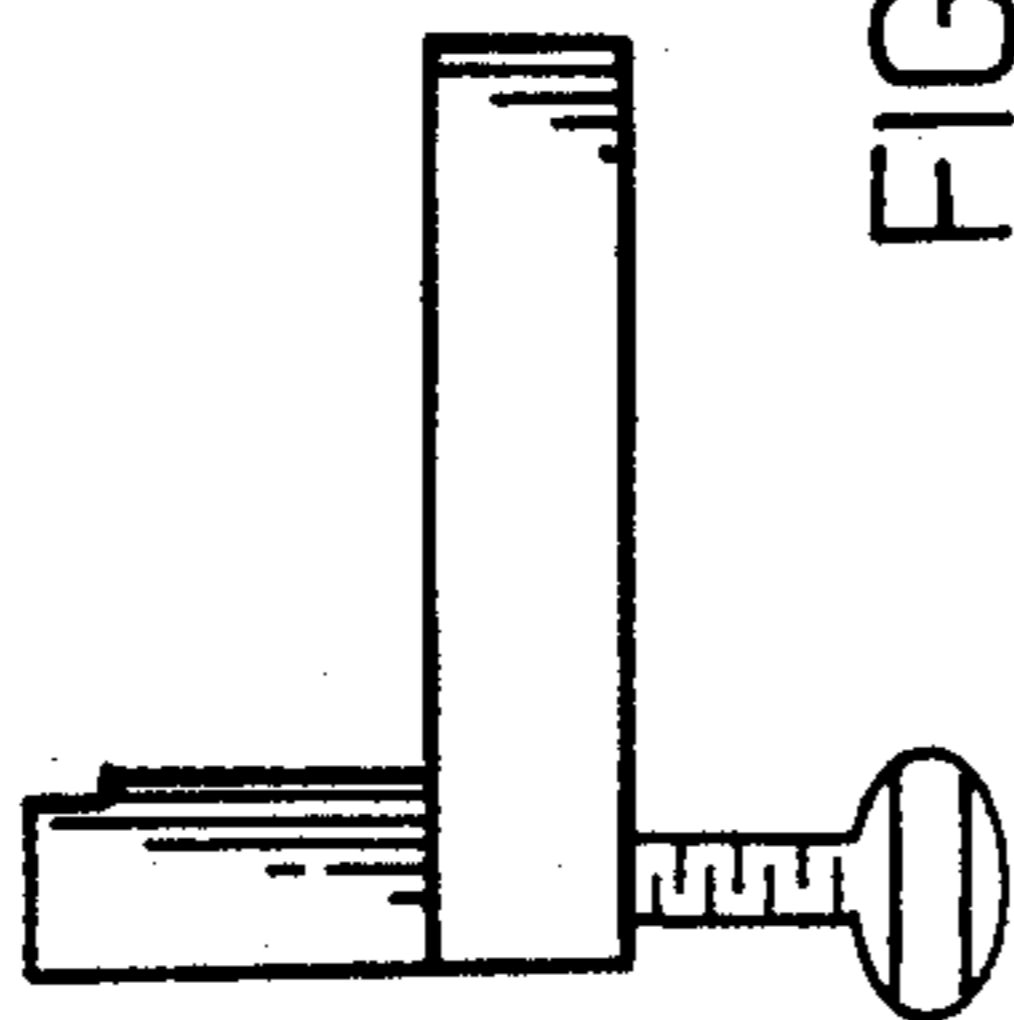


FIG. 2

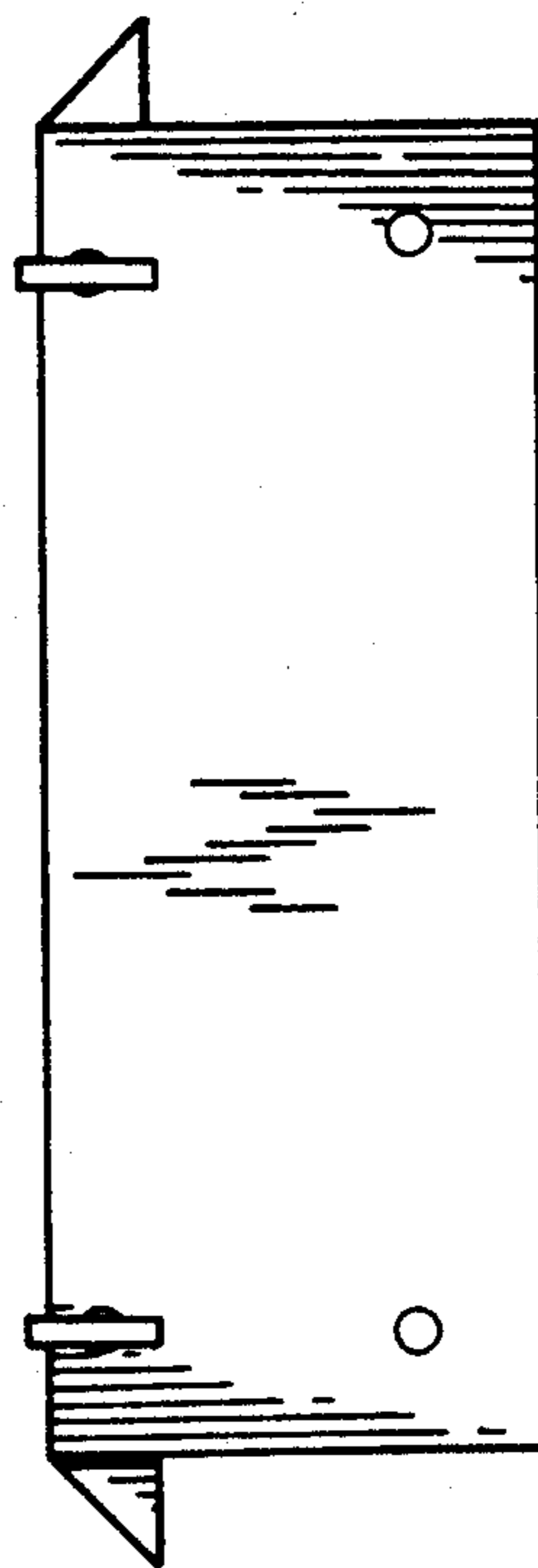


FIG. 3

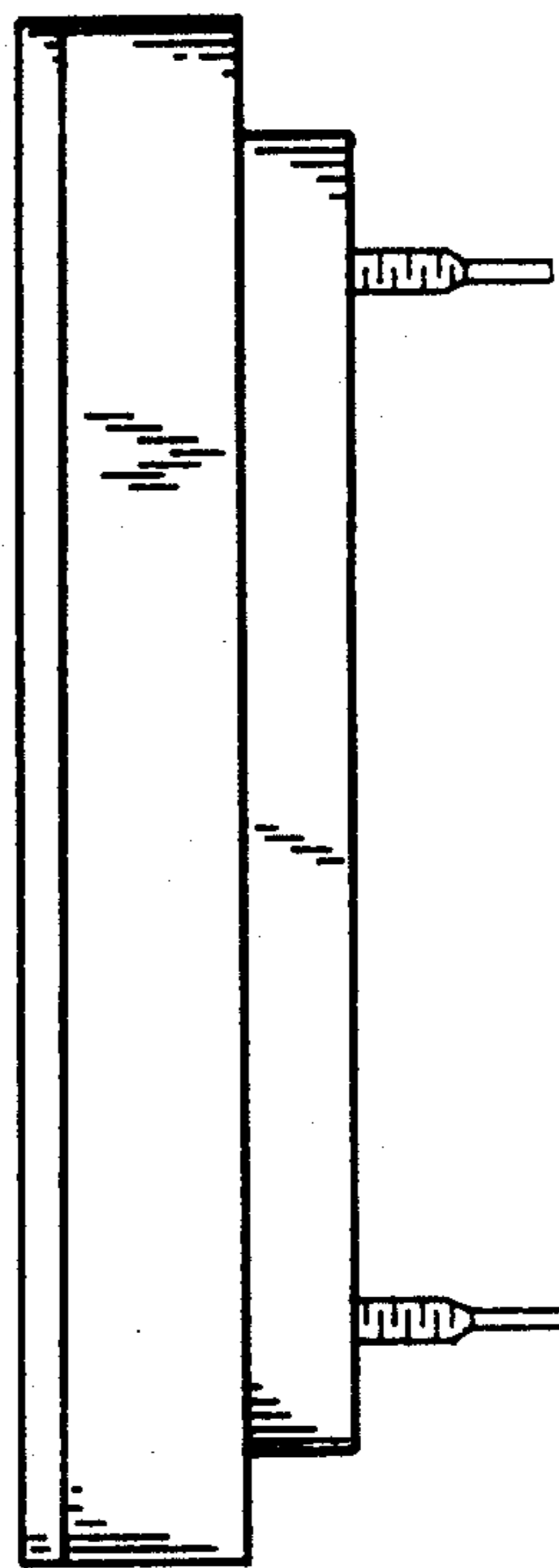


FIG. 4