



US00D338820S

United States Patent [19]

Sheftel

[11] Patent Number: **Des. 338,820**

[45] Date of Patent: **** Aug. 31, 1993**

[54] **ADJUSTABLE WORK HOLDER**

[75] Inventor: **Steven J. Sheftel, Hingham, Mass.**

[73] Assignee: **Crawford Products, Inc., West Hanover, Mass.**

[**] Term: **14 Years**

[21] Appl. No.: **661,452**

[22] Filed: **Feb. 26, 1991**

[52] U.S. Cl. **D8/71**

[58] Field of Search **248/129, 168, 413, 161; D8/71**

4,520,981 6/1985 Harrigan 248/413
4,715,488 12/1987 Hewitt et al. .

Primary Examiner—Alan P. Douglas
Assistant Examiner—J. H. Musgrove
Attorney, Agent, or Firm—Samuels, Gauthier & Stevens

[57] **CLAIM**

The ornamental design for adjustable work holder, as shown.

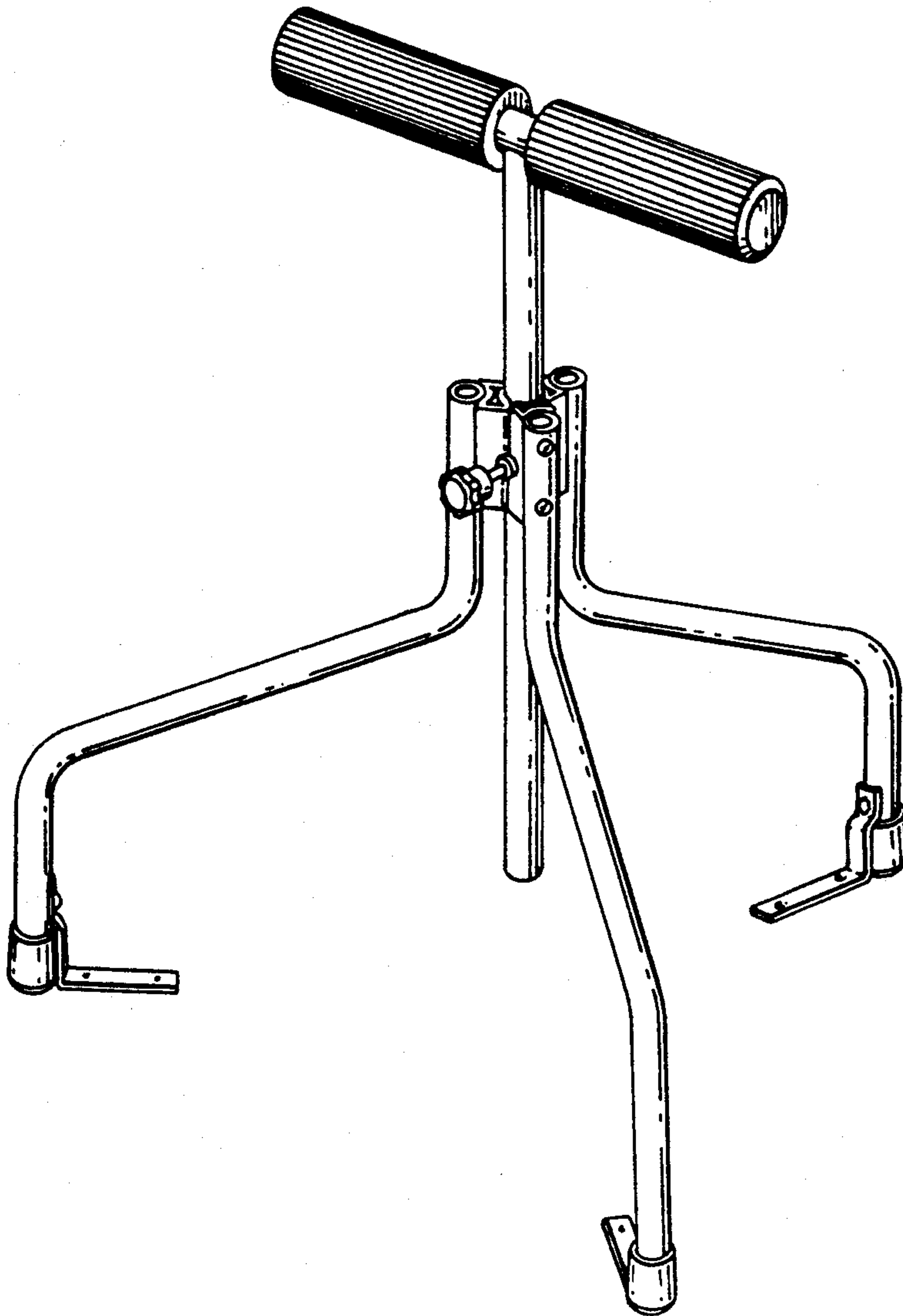
DESCRIPTION

FIG. 1 is a top, front and right-side perspective view of a adjustable work holder showing my new design; FIG. 2 is a front elevational view; FIG. 3 is a rear elevational view; FIG. 4 is a left side elevational view, the right side being a mirror image; FIG. 5 is a top plan view; and, FIG. 6 is a bottom plan view thereof.

[56] **References Cited**

U.S. PATENT DOCUMENTS

- D. 266,274 9/1982 Arns D8/71
- D. 325,505 4/1992 Hernandez D8/71
- 1,894,742 1/1933 Harter 248/413



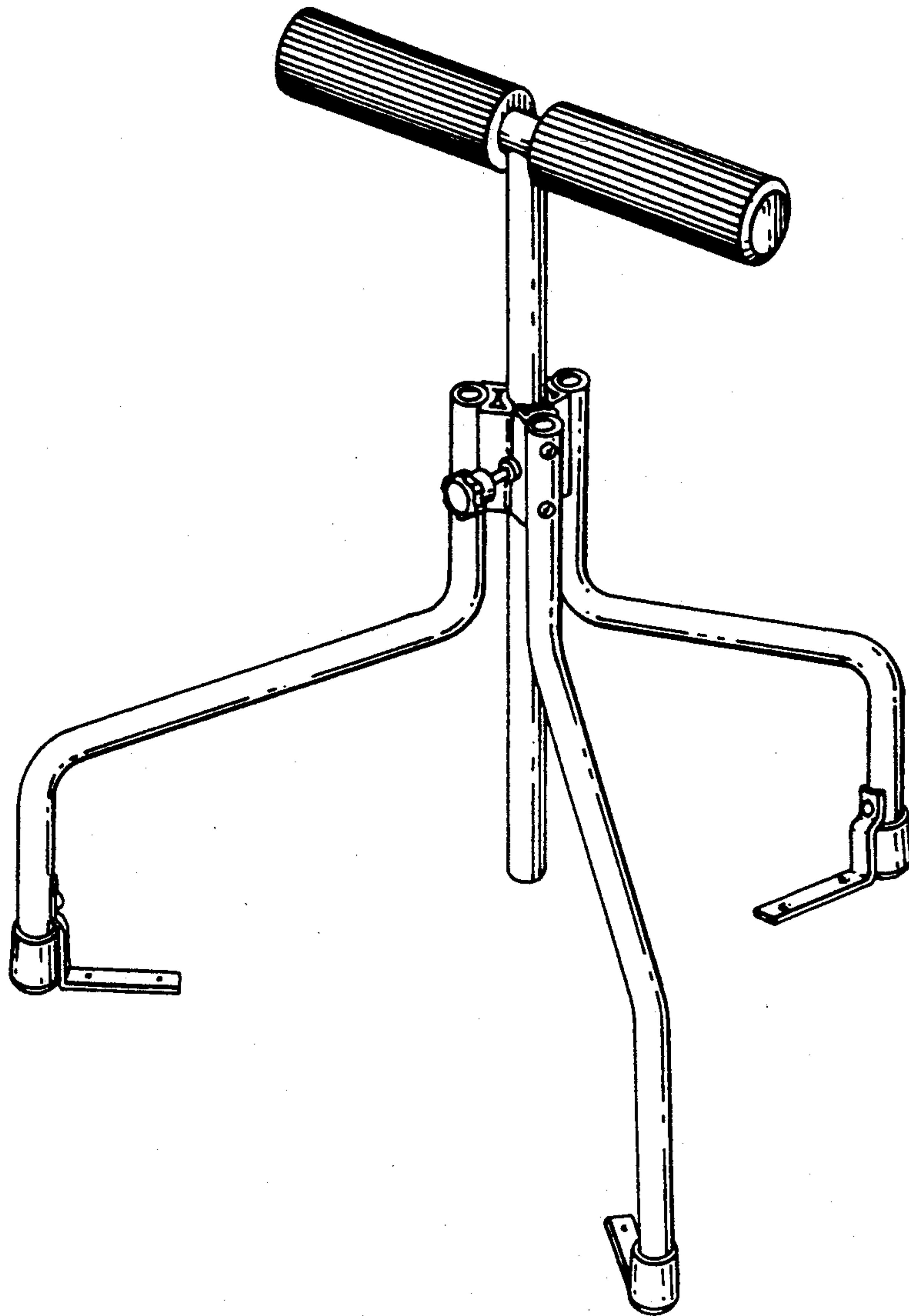


FIG. 1

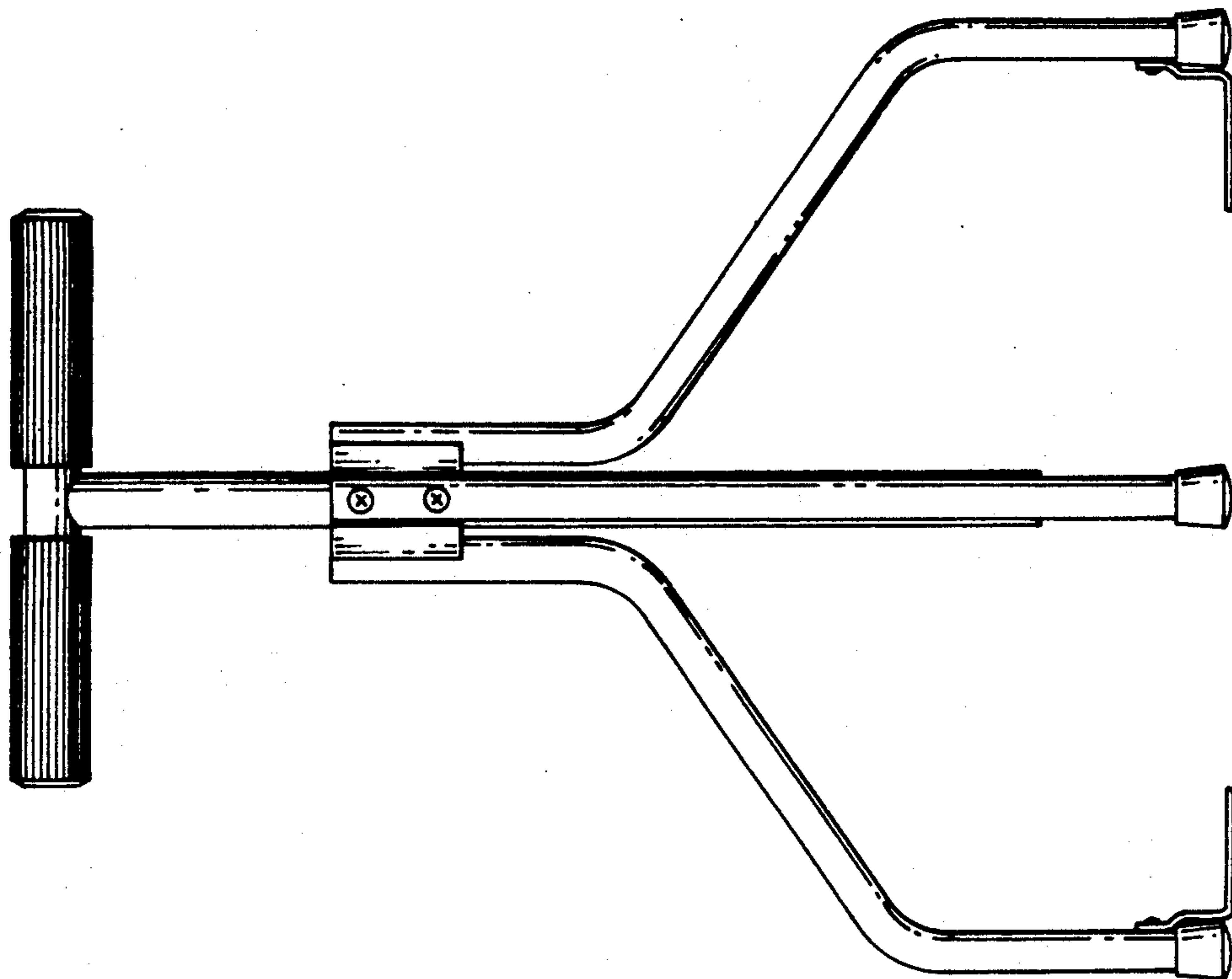


FIG. 3

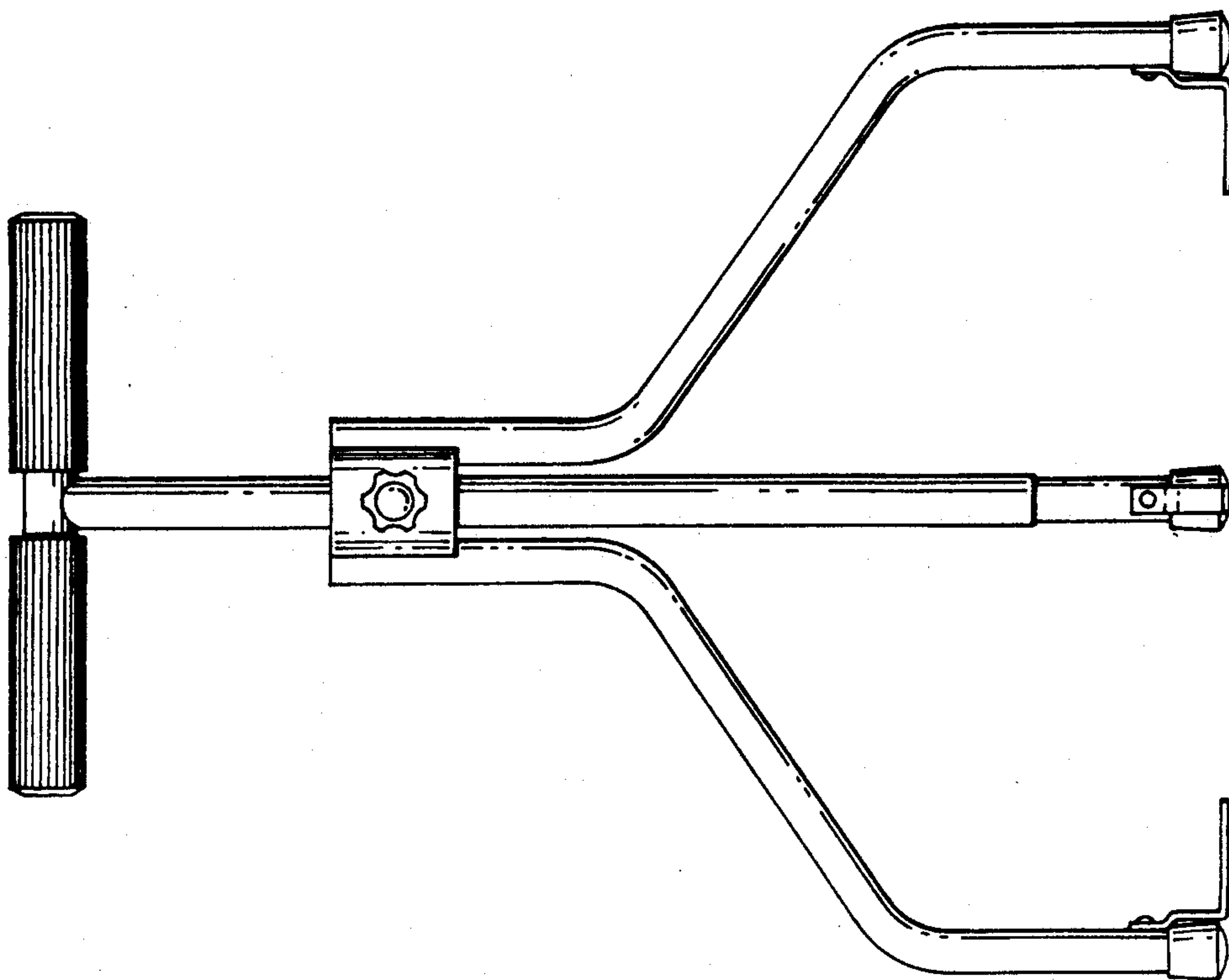


FIG. 2

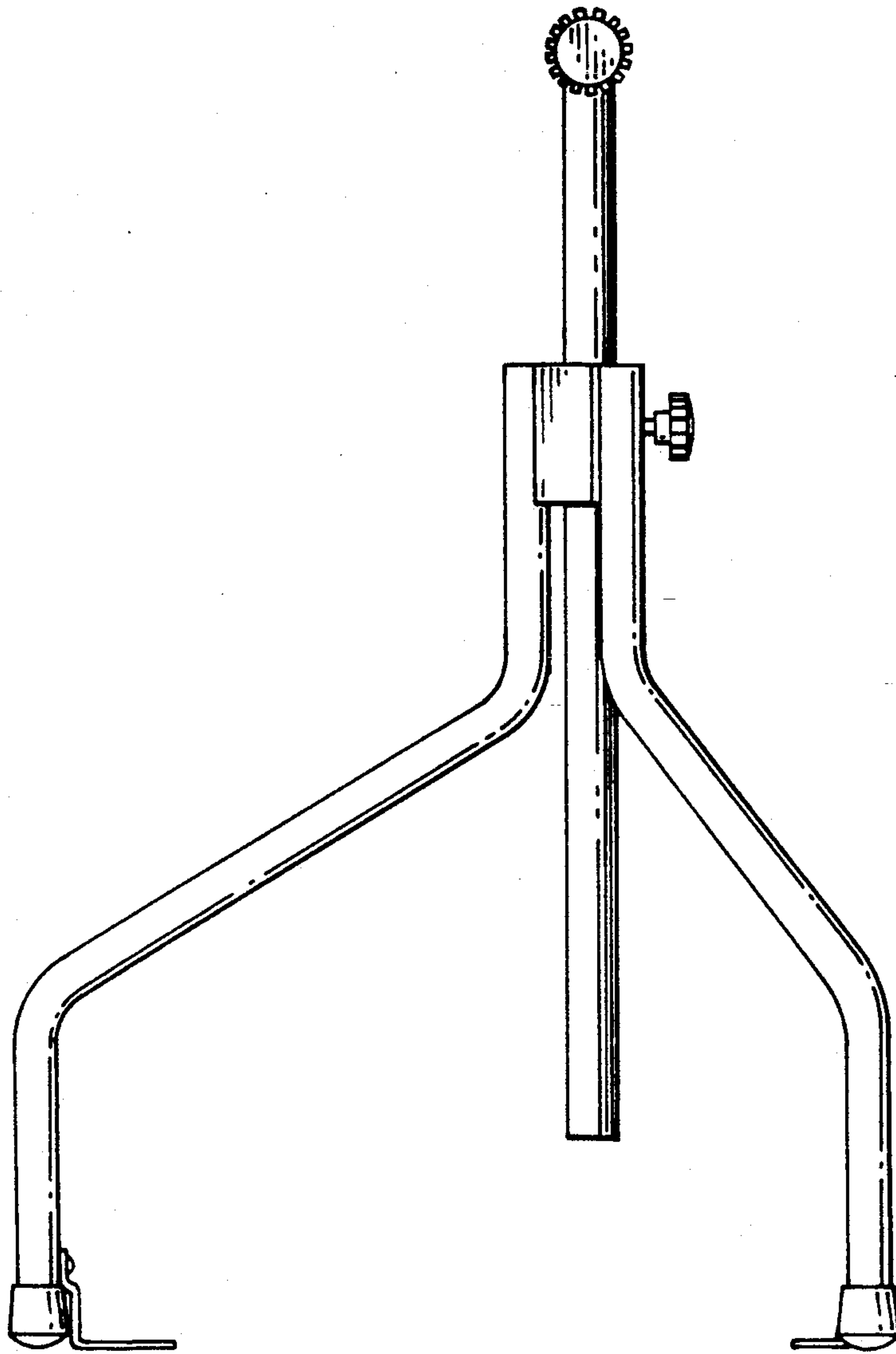


FIG. 4

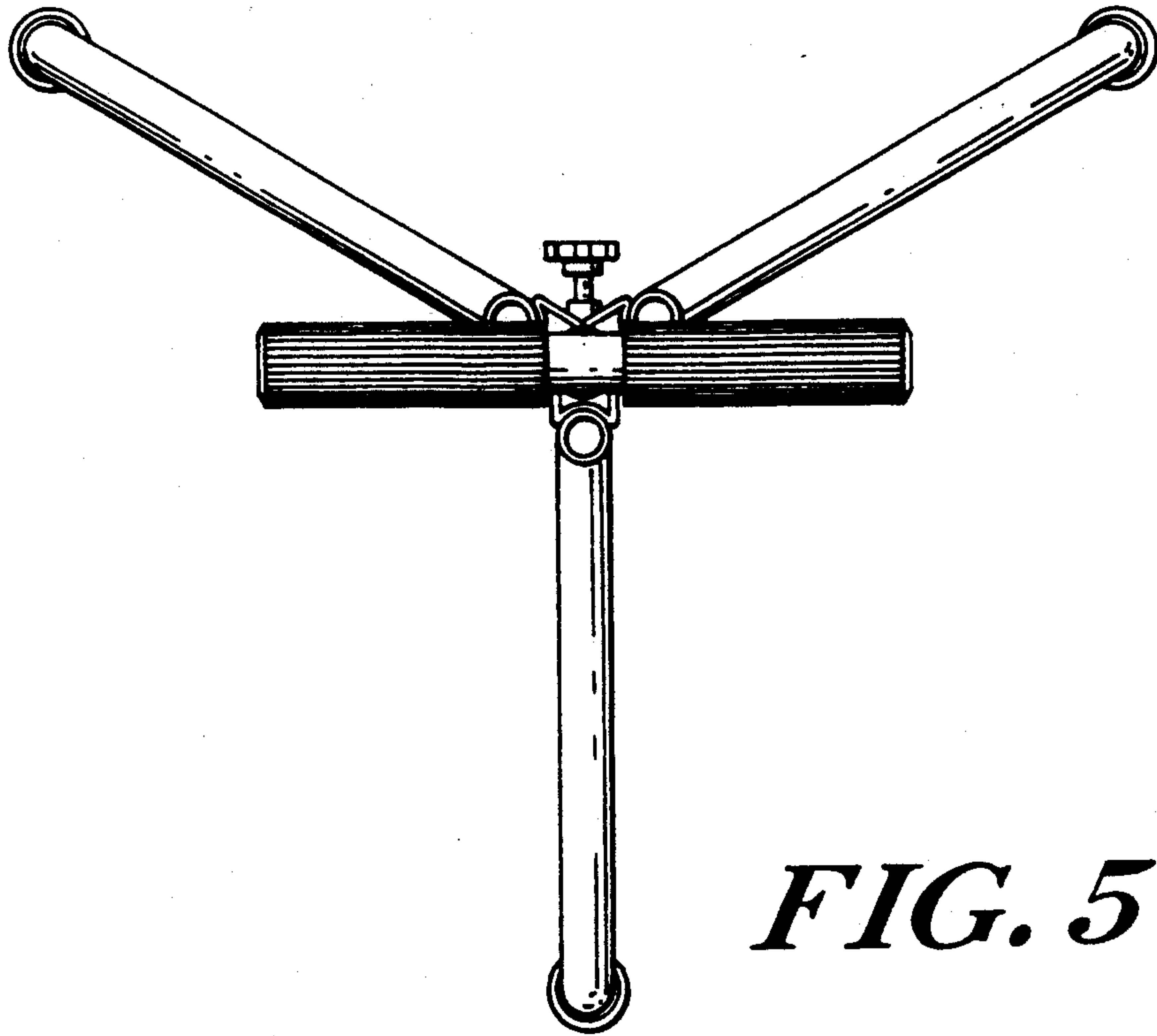


FIG. 5

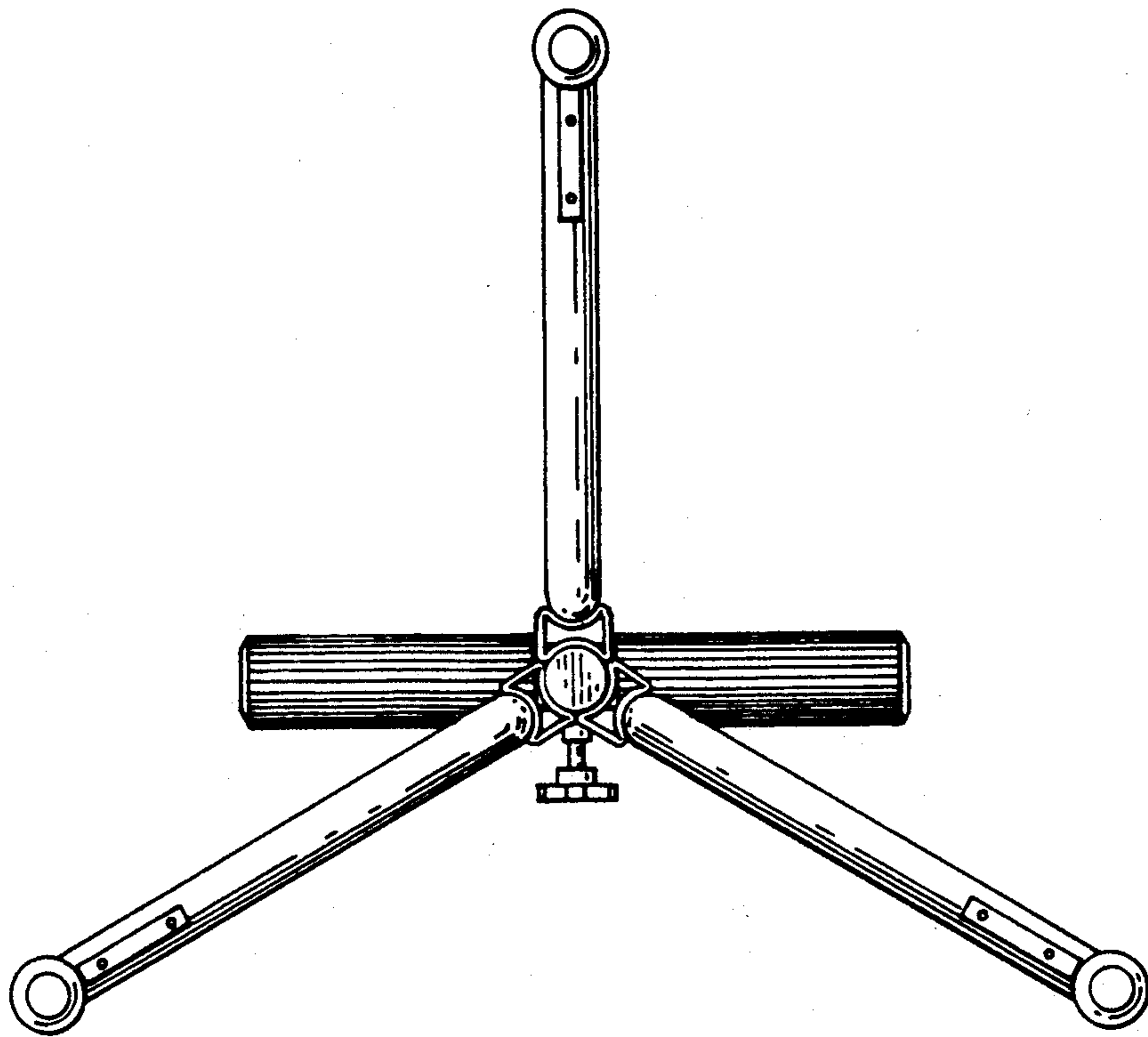


FIG. 6