



US00D338819S

United States Patent [19]

[11] Patent Number: **Des. 338,819**

Ohkochi

[45] Date of Patent: **** Aug. 31, 1993**

[54] **NAIL GUN**

4,524,896 6/1985 Morrell, Jr. 227/127

[75] Inventor: **Yukiyasu Ohkochi, Nishio, Japan**

FOREIGN PATENT DOCUMENTS

[73] Assignee: **Makita Corporation, Anjo, Japan**

624457 5/1984 Japan .

[**] Term: **14 Years**

Primary Examiner—Alan P. Douglas
Assistant Examiner—J. H. Musgrove
Attorney, Agent, or Firm—Lahive & Cockfield

[21] Appl. No.: **801,103**

[57] CLAIM

[22] Filed: **Dec. 2, 1991**

The ornamental design of nail gun, as shown.

[30] Foreign Application Priority Data

DESCRIPTION

Jun. 4, 1991 [JP] Japan 3-16538

[52] U.S. Cl. **D8/69**

[58] Field of Search **D8/49, 50, 61, 64, 69;**
227/8, 10, 120, 130, 131, 132

FIG. 1 is a perspective view of nail gun showing my new design;

FIG. 2 is a perspective view thereof;

FIG. 3 is a front elevational view thereof;

FIG. 4 is a rear elevational view thereof;

FIG. 5 is a left hand elevational view thereof;

FIG. 6 is a right hand elevational view thereof;

FIG. 7 is a top plan view thereof; and,

FIG. 8 is a bottom plan view thereof.

[56] References Cited

U.S. PATENT DOCUMENTS

D. 211,207 5/1968 Bader D8/69

D. 330,836 11/1992 Fushiya et al. D8/49

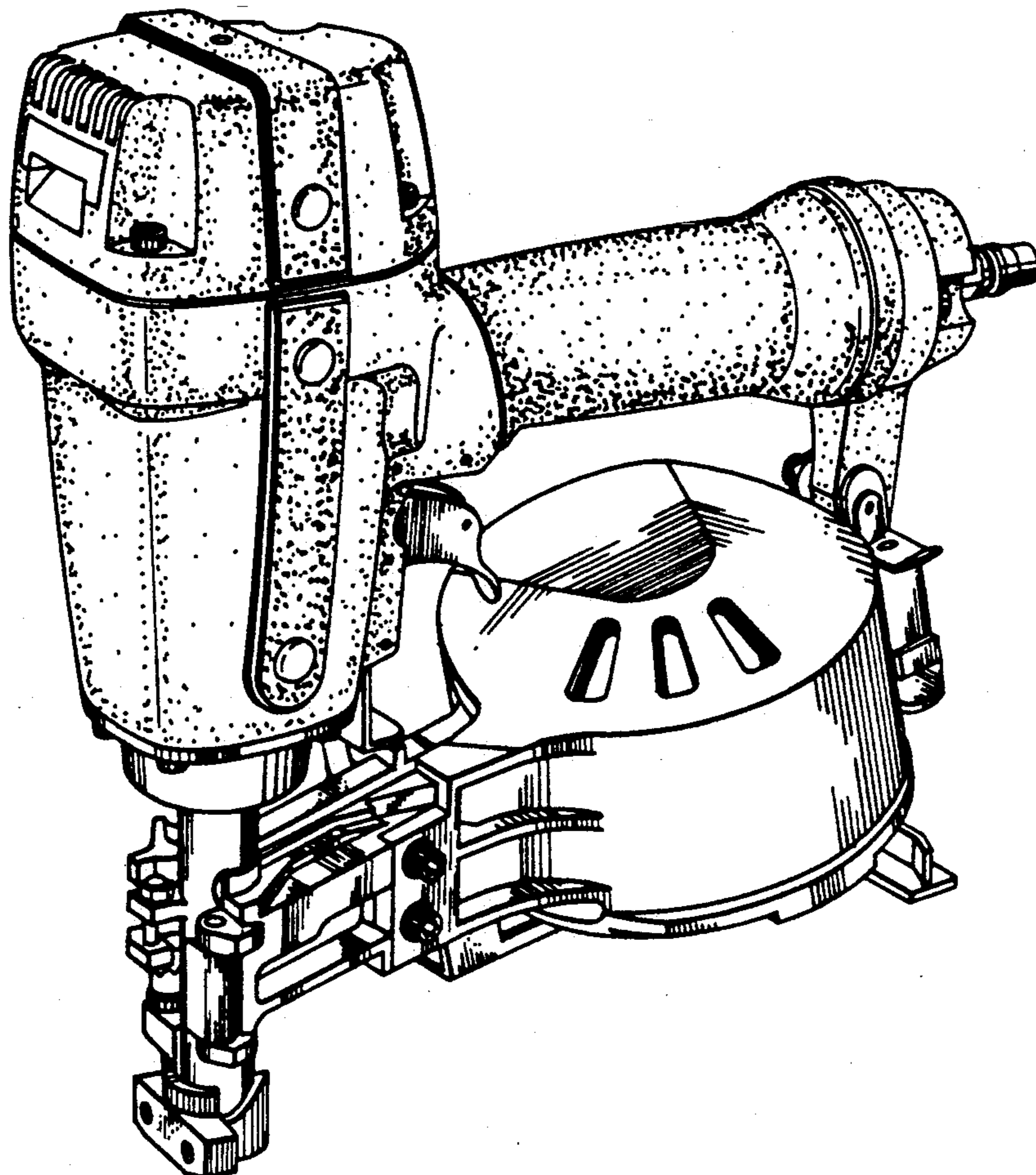


FIG. 1

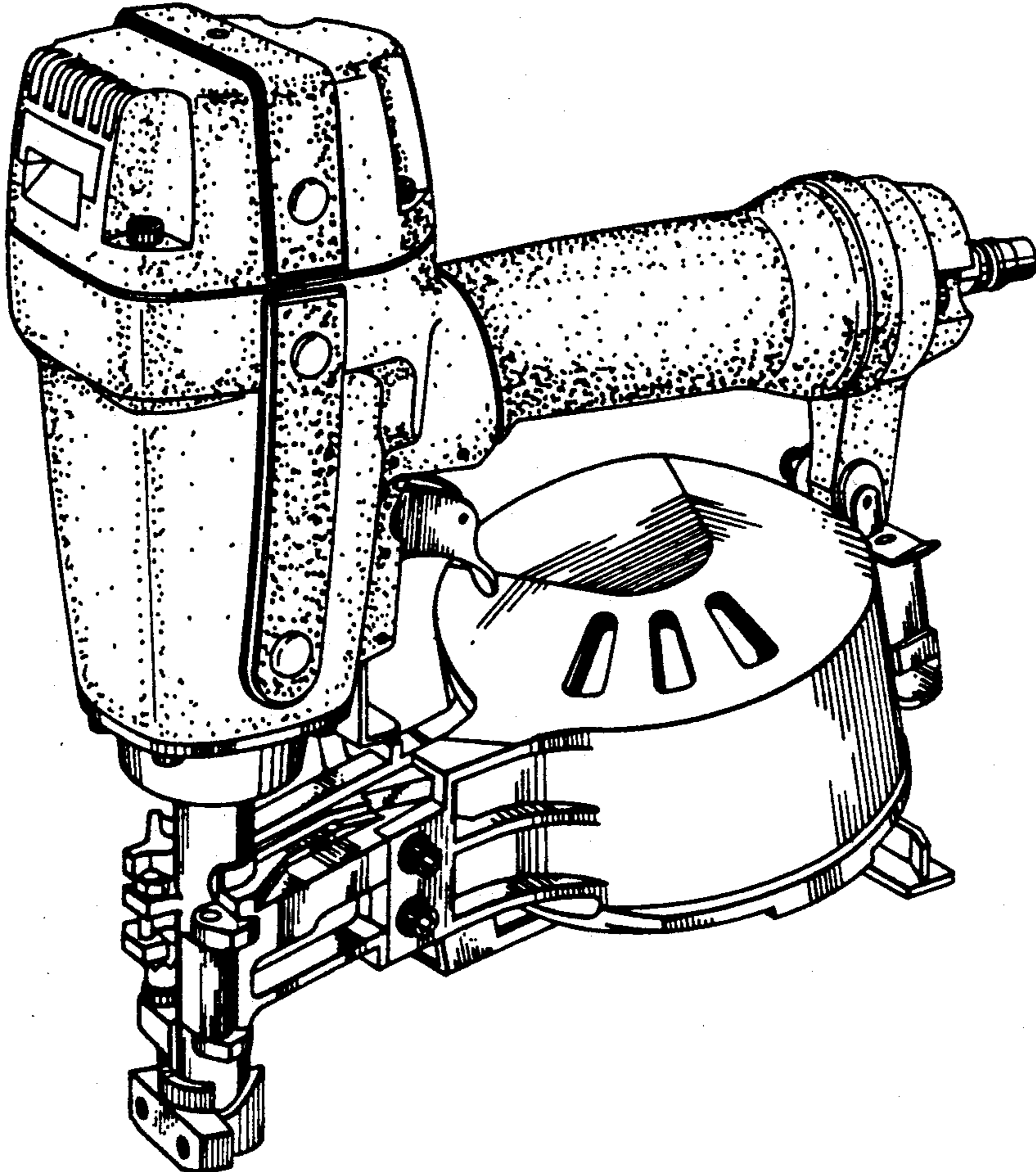


FIG. 2

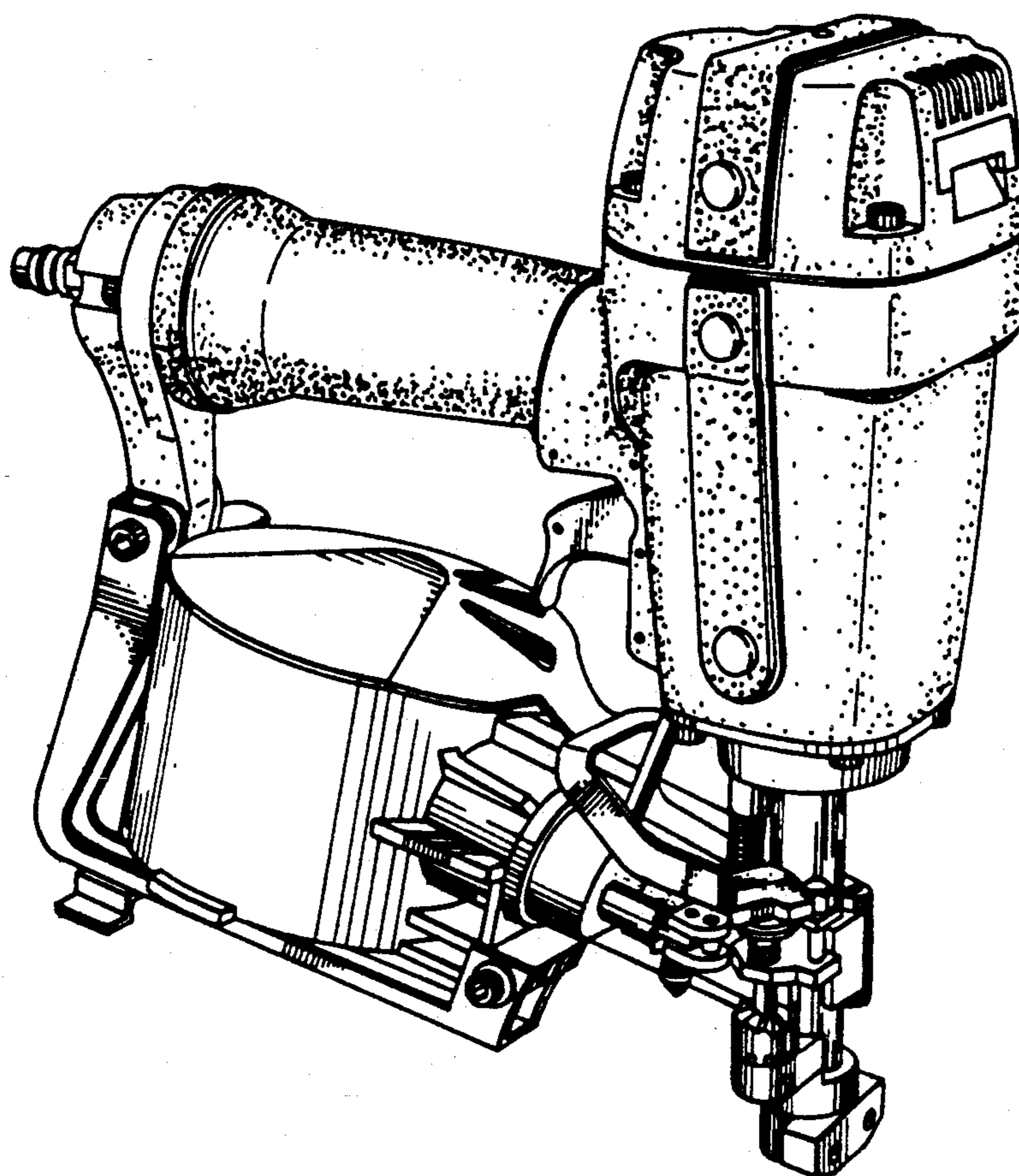


FIG. 3

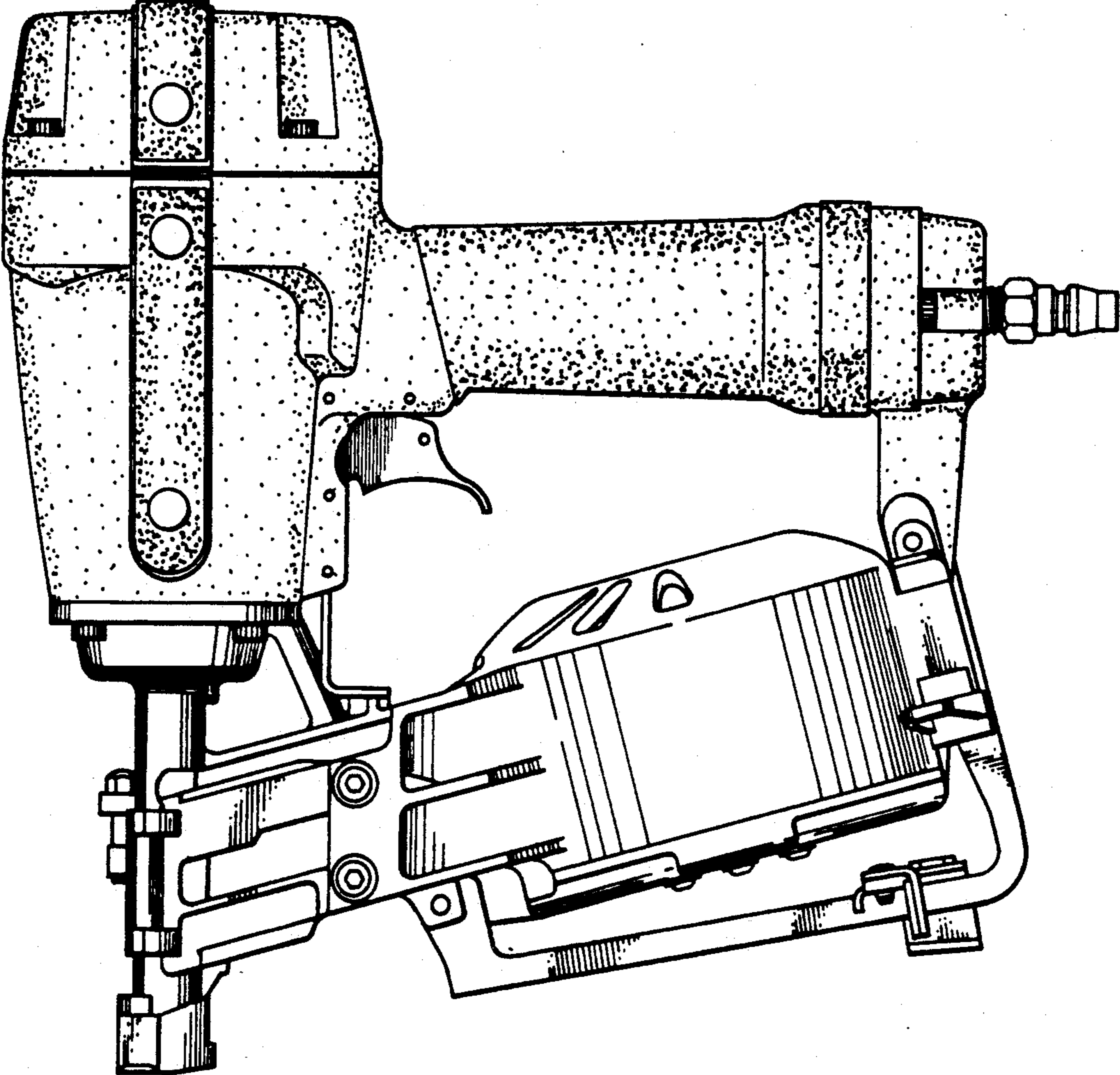


FIG. 4

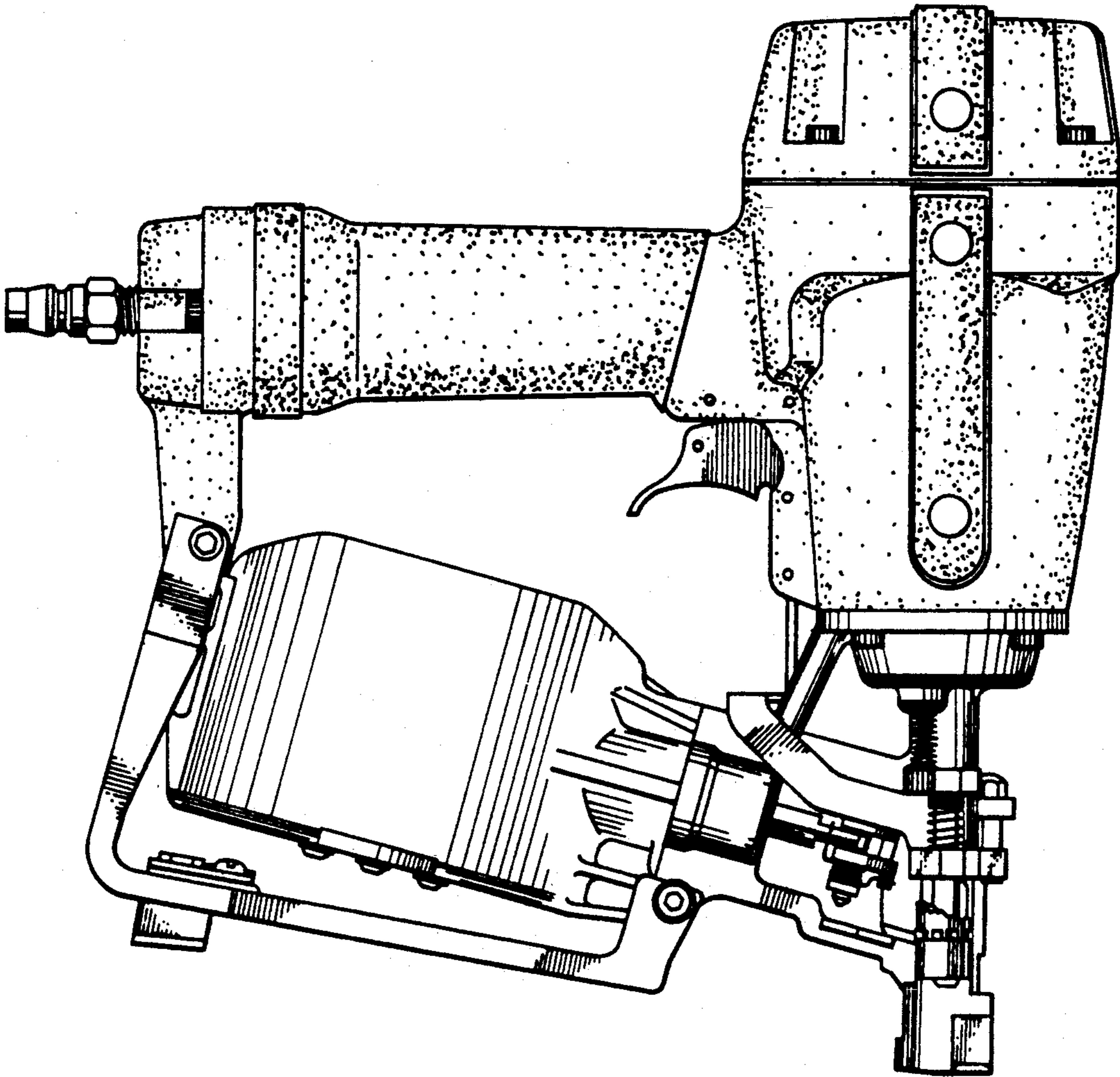


FIG. 5

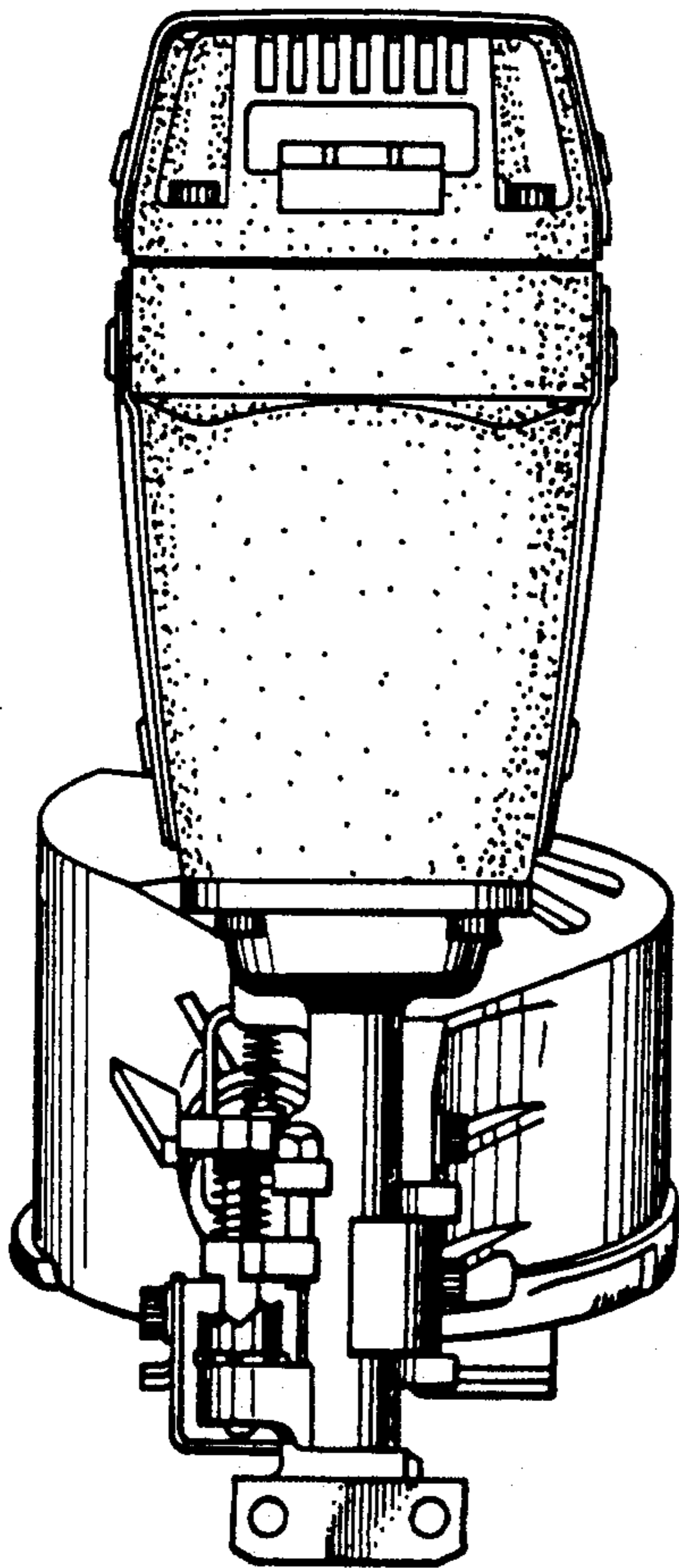


FIG. 6

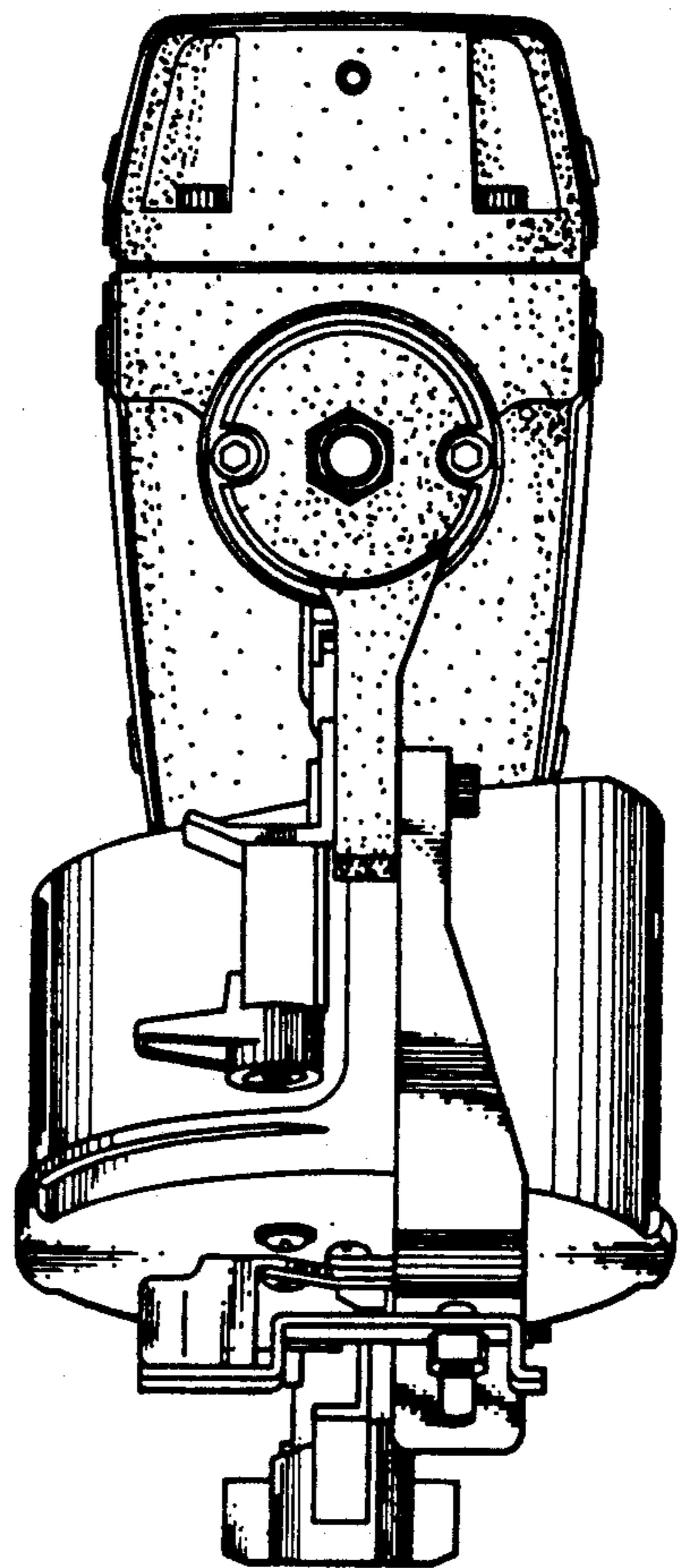


FIG. 7

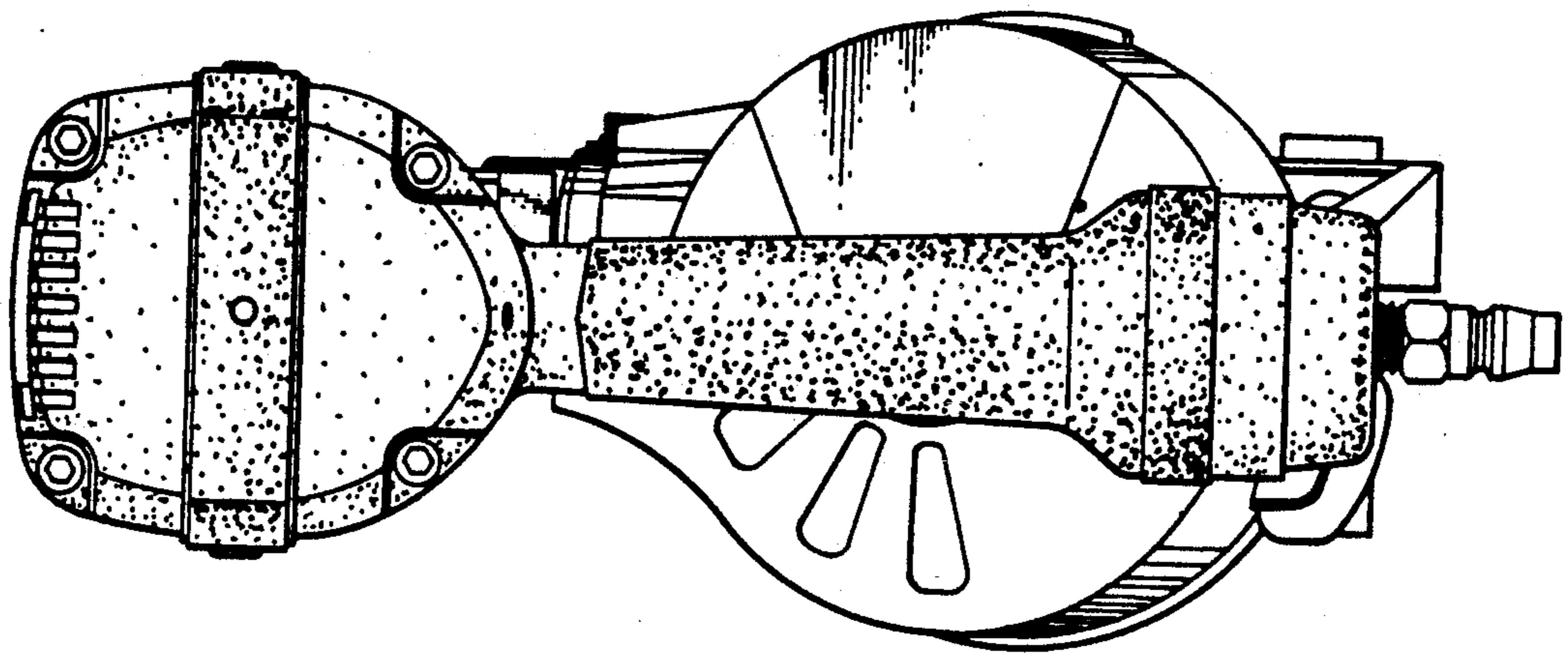


FIG. 8

