



US00D338818S

United States Patent [19]

[11] Patent Number: **Des. 338,818**

Katsuba

[45] Date of Patent: **** Aug. 31, 1993**

[54] **NAILING MACHINE**

[75] Inventor: **Tooru Katsuba, Hiroshima, Japan**

[73] Assignee: **Ryobi Ltd., Hiroshima, Japan**

[**] Term: **14 Years**

[21] Appl. No.: **674,062**

[22] Filed: **Mar. 22, 1991**

[30] **Foreign Application Priority Data**

Oct. 9, 1990 [JP] Japan 2-33832

[52] U.S. Cl. **D8/62; D8/48**

[58] Field of Search **D8/49, 62; 81/433, 434; 123/46 SC; 277/7, 8, 10, 100, 114, 120, 130, 152**

[56] **References Cited**

U.S. PATENT DOCUMENTS

D. 330,836 11/1992 Fushiya et al. **D8/69**

4,570,840 2/1986 Bull **227/8**

FOREIGN PATENT DOCUMENTS

458306 5/1977 Japan .

624457 2/1984 Japan .

Primary Examiner—Alan P. Douglas
Assistant Examiner—Antoine D. Davis
Attorney, Agent, or Firm—Sughrue, Mion, Zinn, Macpeak & Seas

[57] **CLAIM**

The ornamental design for a nailing machine, as shown.

DESCRIPTION

FIG. 1 is a front, top and left side perspective view of a nailing machine showing my new design; FIG. 2 is a left side elevational view thereof; FIG. 3 is a right side elevational view thereof; FIG. 4 is a front elevational view thereof; FIG. 5 is a rear elevational view thereof; FIG. 6 is a top plan view thereof; and, FIG. 7 is a bottom plan view thereof.

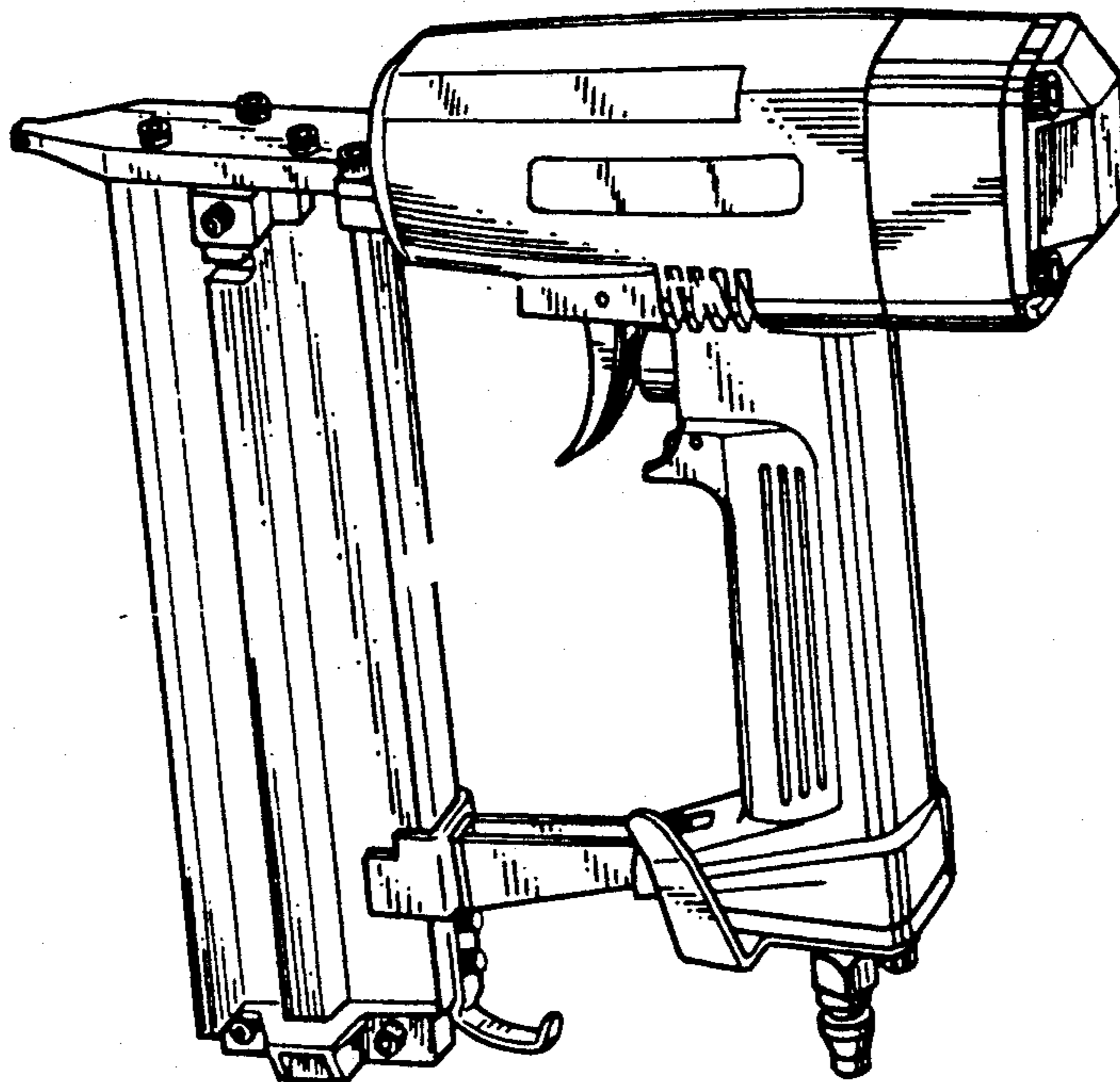


Fig. 1

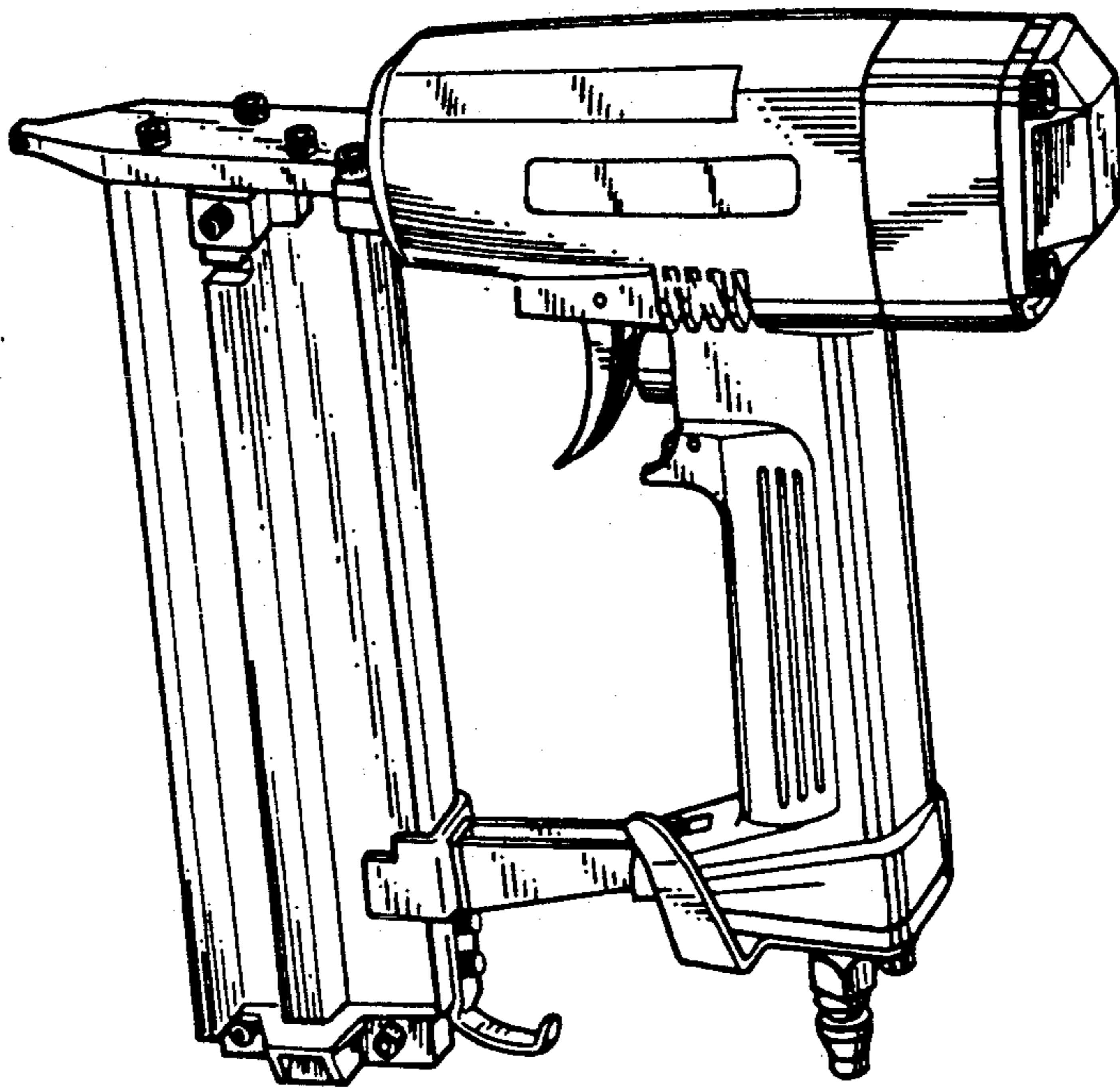


Fig. 3

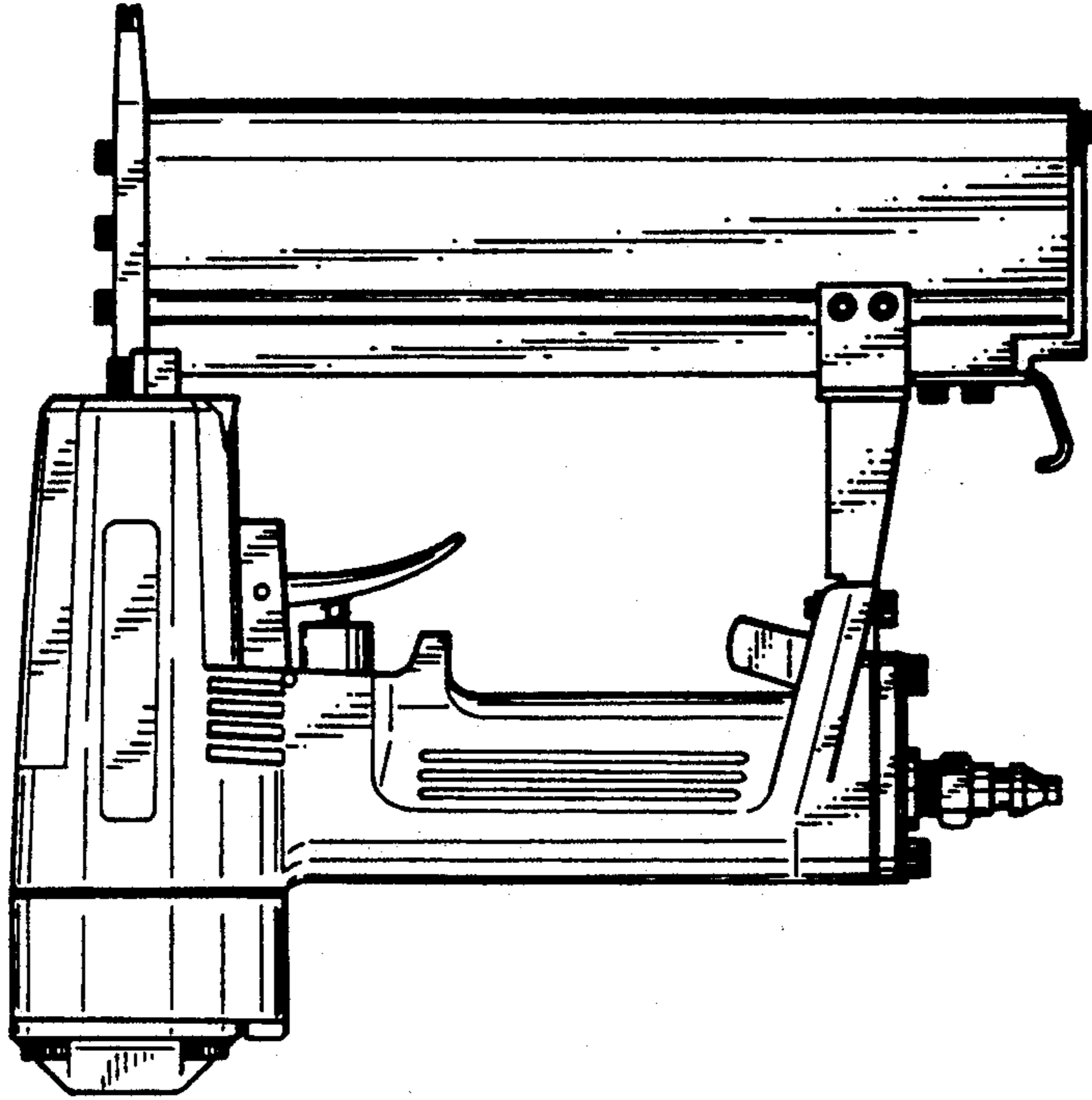


Fig. 2

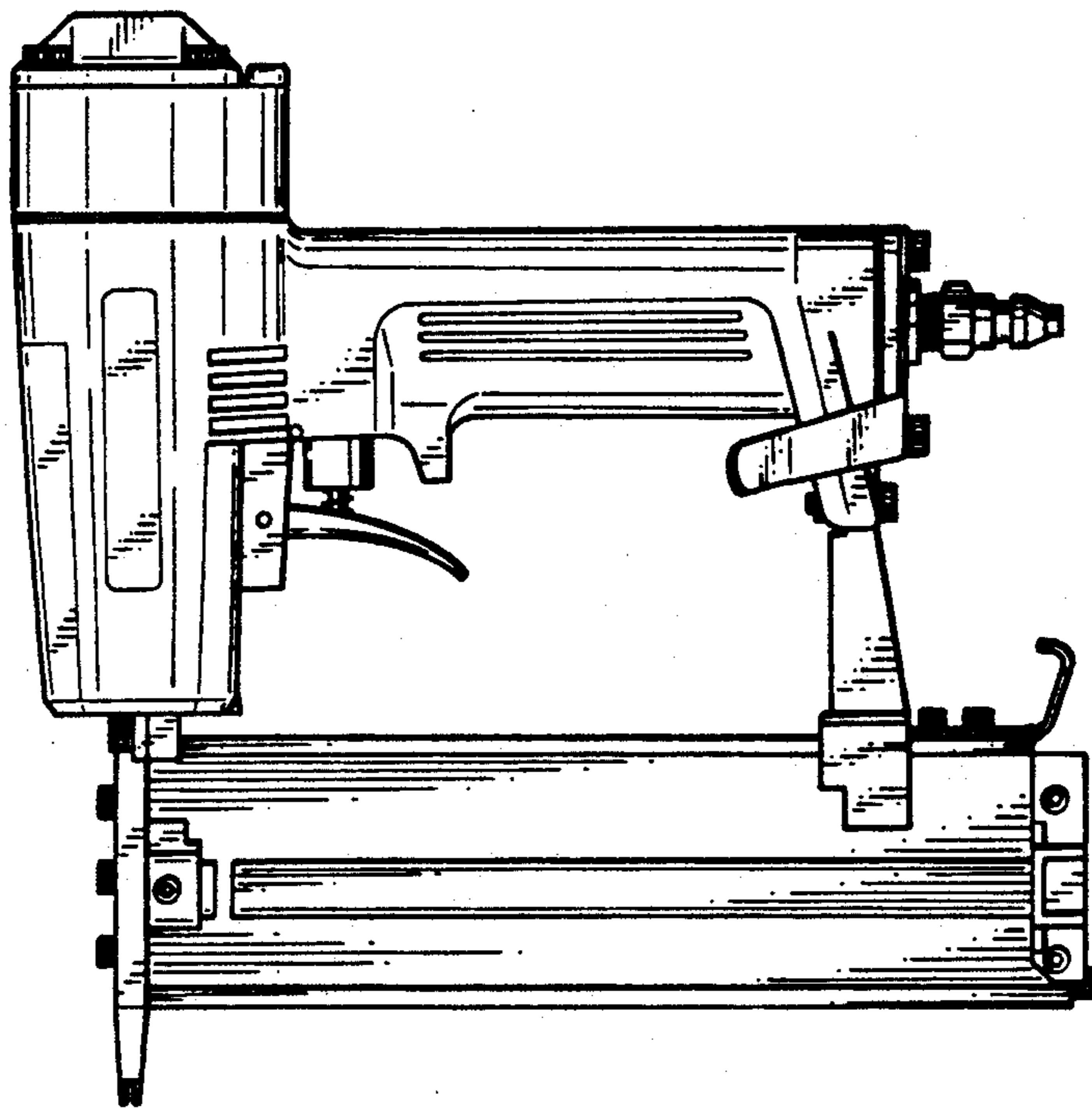


Fig. 4

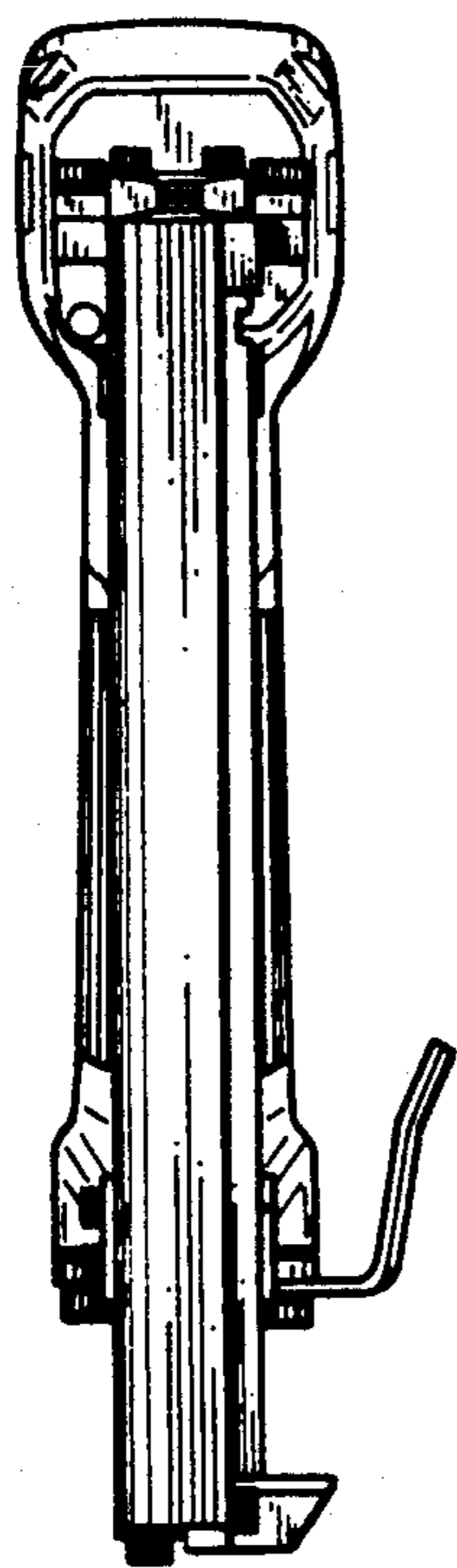


Fig. 5

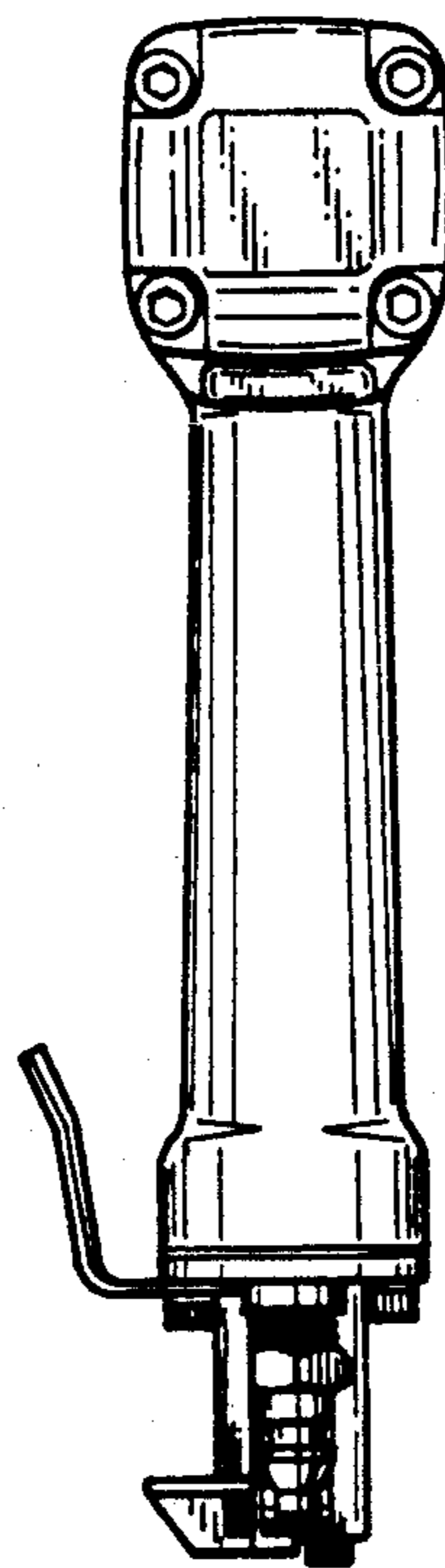


Fig. 6

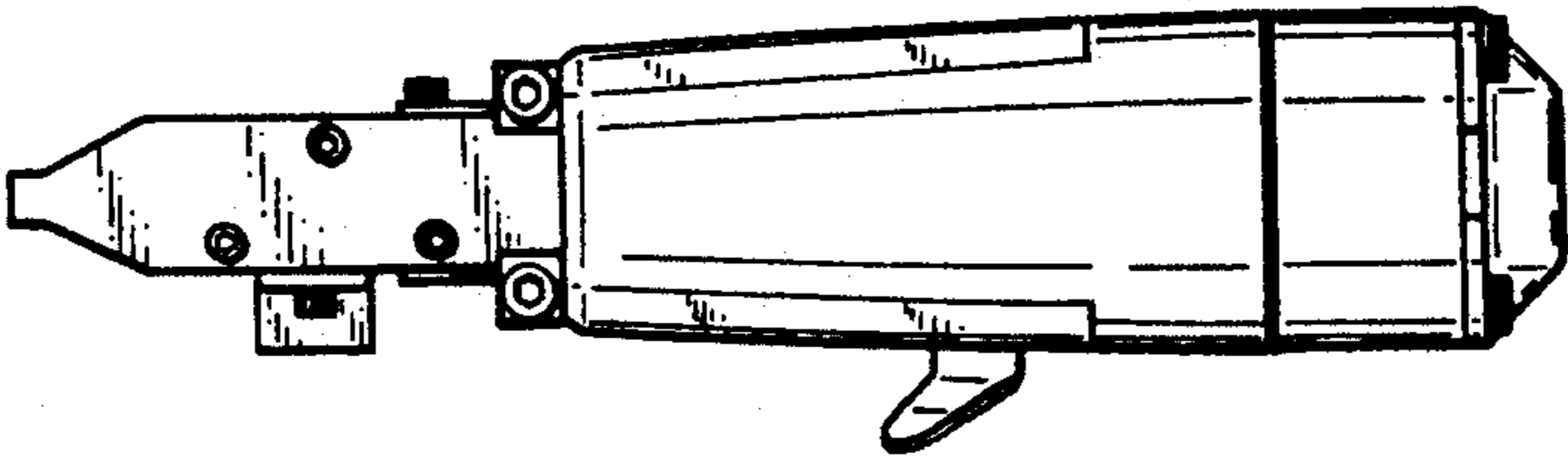


Fig. 7

