



US00D338817S

# United States Patent [19]

Fennessy, Sr.

[11] Patent Number: **Des. 338,817**

[45] Date of Patent: **\*\* Aug. 31, 1993**

[54] **CONCRETE STAMPING MEMBER**

[75] Inventor: **Paul M. Fennessy, Sr.**, Liverpool, N.Y.

[73] Assignee: **Stampcrete International Ltd.**, Grand Cayman, Cayman Islands

[\*\*] Term: **14 Years**

[21] Appl. No.: **894,226**

[22] Filed: **Jun. 8, 1992**

### Related U.S. Application Data

[60] Continuation-in-part of Ser. No. 847,250, Mar. 9, 1992, abandoned, and a continuation-in-part of Ser. No. 835,305, Feb. 14, 1992, and a continuation-in-part of Ser. No. 782,120, Oct. 25, 1991, which is a division of Ser. No. 585,952, Sep. 21, 1990, Pat. No. 5,061,172.

[52] U.S. Cl. .... **D8/45**

[58] Field of Search ..... **D25/102, 199, 112-113; D8/45; D15/135; 404/75, 89, 93; 425/458**

### [56] References Cited

#### U.S. PATENT DOCUMENTS

D. 257,825	1/1981	Puccini et al. ....	D8/45
D. 272,037	1/1984	Puccini et al. ....	D8/45
D. 279,544	7/1985	Duncan .....	D8/45
D. 282,623	2/1986	Nasvik .....	D8/45
1,096,445	5/1914	McKesson .	
1,807,024	5/1931	Anderson .	
3,605,575	9/1971	Steranon .....	404/93
3,628,210	12/1971	Padgett .....	404/93
3,887,293	6/1975	Bowman .....	404/72
3,930,740	1/1976	Bowman .....	404/93
3,936,209	2/1976	Krage .....	404/89
4,131,406	12/1978	Fresquez .....	425/385
4,135,840	1/1979	Puccini et al. ....	404/93
4,231,677	11/1980	Roming .....	404/89
4,620,816	11/1986	Kupfer .	
4,715,743	12/1987	Schmanski .	
4,776,723	10/1988	Brimo .....	404/89
4,798,364	1/1989	Scott .....	249/189
4,828,426	5/1989	Hendricks et al. ....	404/93
4,838,728	6/1989	McKeever .....	404/89
4,993,867	2/1991	Usow .	

### FOREIGN PATENT DOCUMENTS

50-22073	3/1075	Japan .
50-22072	7/1975	Japan .
2111897	7/1983	United Kingdom .
2176826	1/1987	United Kingdom .
2214211	8/1989	United Kingdom .

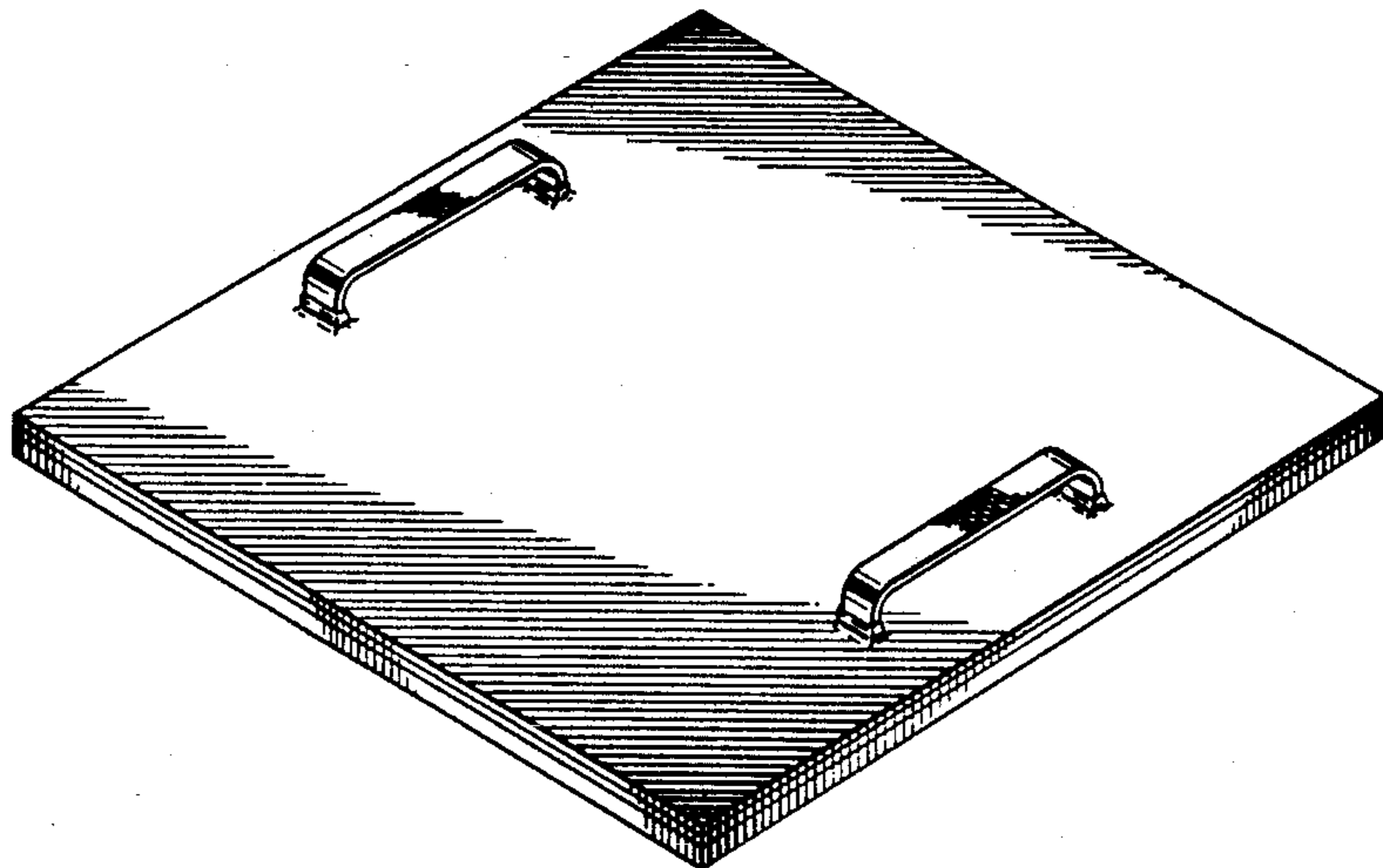
*Primary Examiner*—A. Hugo Word  
*Assistant Examiner*—Doris Clark  
*Attorney, Agent, or Firm*—Shlesinger, Arkwright & Garvey

### [57] CLAIM

The ornamental design for the concrete stamping member, as shown and described.

### DESCRIPTION

FIG. 1 is a top perspective view of a concrete stamping member showing my new design;  
 FIG. 2 is a bottom plan view of FIG. 1 showing one embodiment of my new design;  
 FIG. 3 is an enlarged fragmentary cross-sectional view taken along line 3—3 of FIG. 2;  
 FIG. 4 is bottom plan view of another embodiment of my new design, similar to FIG. 2, and on an enlarged scale;  
 FIG. 5 is a broken away portion of my design of FIG. 4, shown on an enlarged scale;  
 FIG. 6 is an enlarged fragmentary cross-sectional view taken along line 6—6 of FIG. 5;  
 FIG. 7 is a partial bottom plan view of a still further embodiment of my new design, shown similar to FIG. 5;  
 FIG. 8 is an enlarged fragmentary cross-sectional view taken along line 8—8 of FIG. 7;  
 FIG. 9 is a partial bottom plan view of yet another preferred embodiment of my design, shown similar to FIG. 7;  
 FIG. 10 is an enlarged fragmentary cross-sectional view taken along line 10—10 of FIG. 9; and,  
 FIG. 11 is an enlarged fragmentary side elevational view of FIG. 1.  
 The two sides not shown in FIG. 1 are identical to the two sides shown.



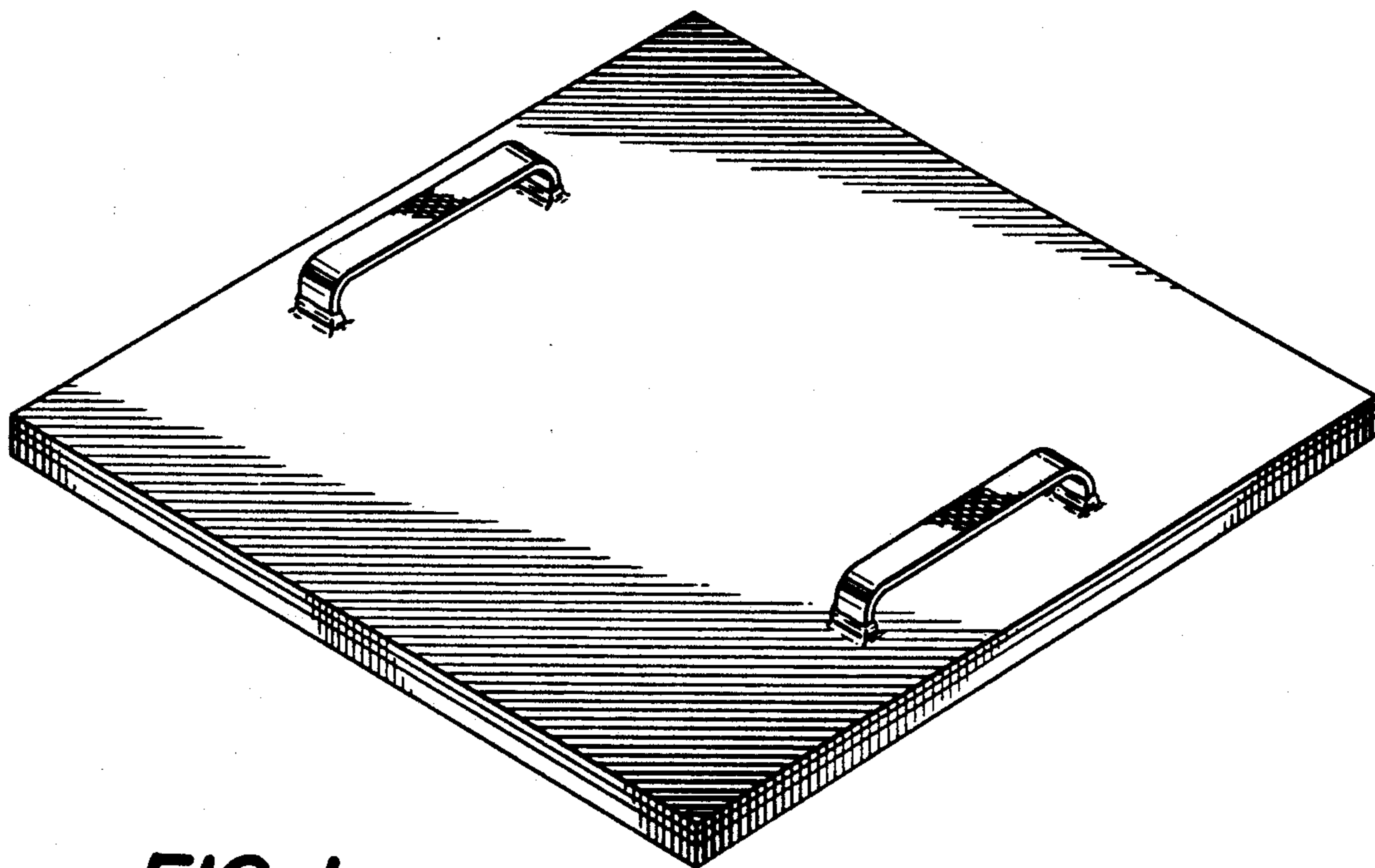


FIG. 1

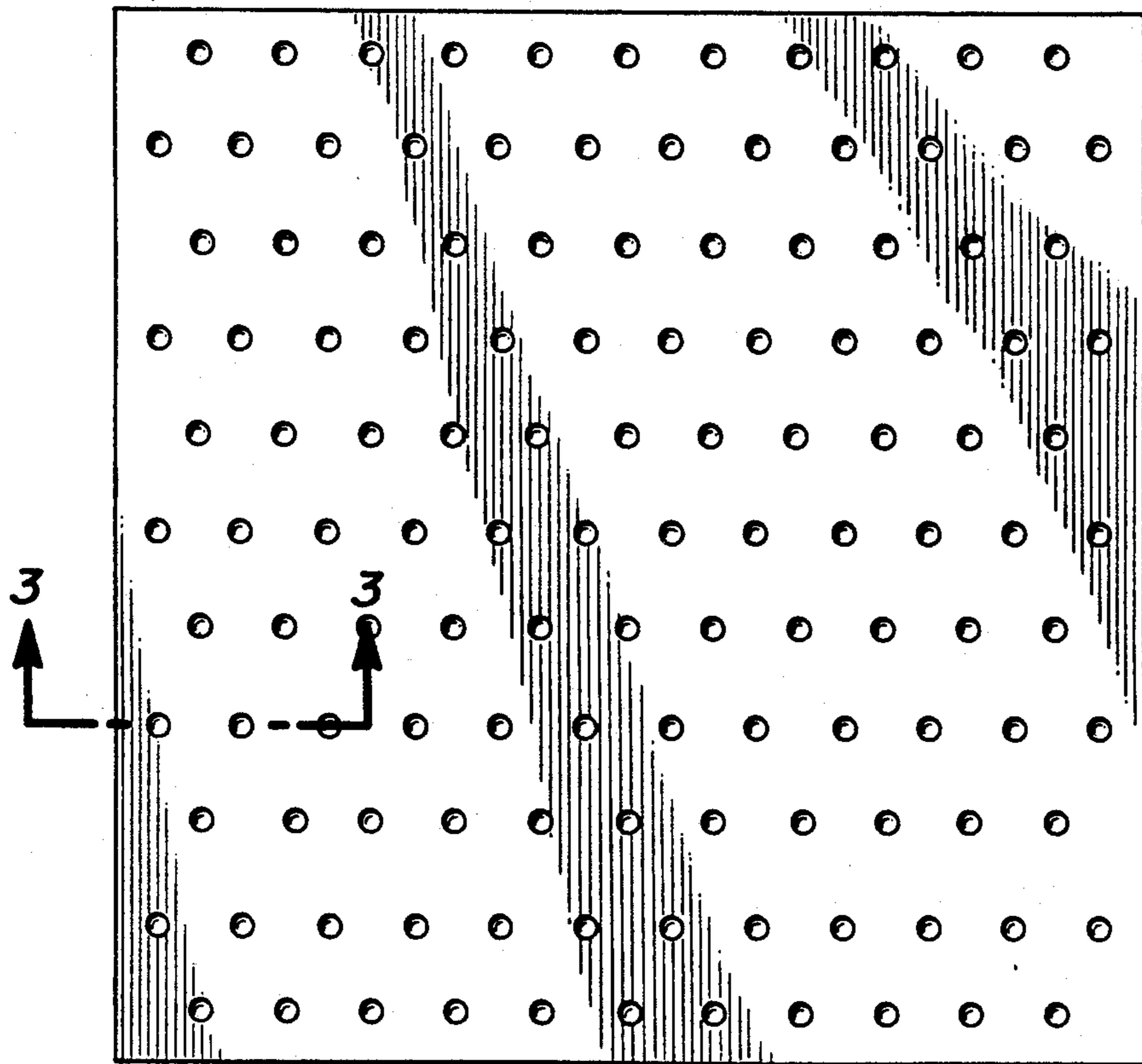
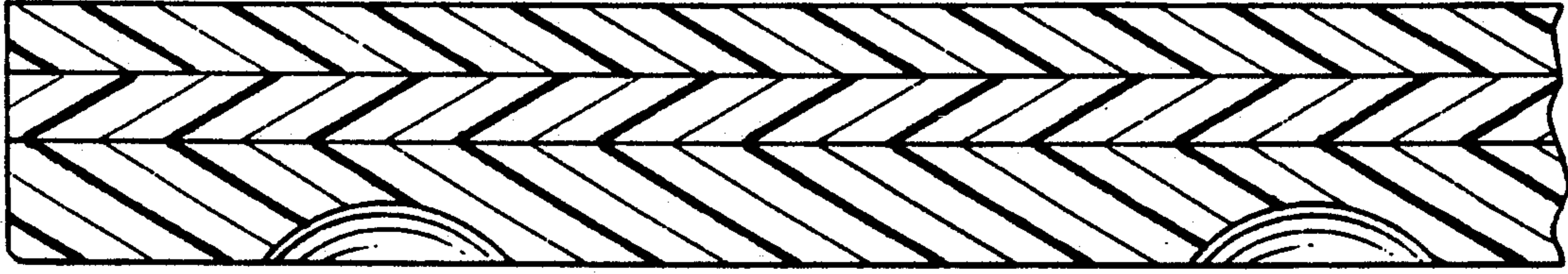
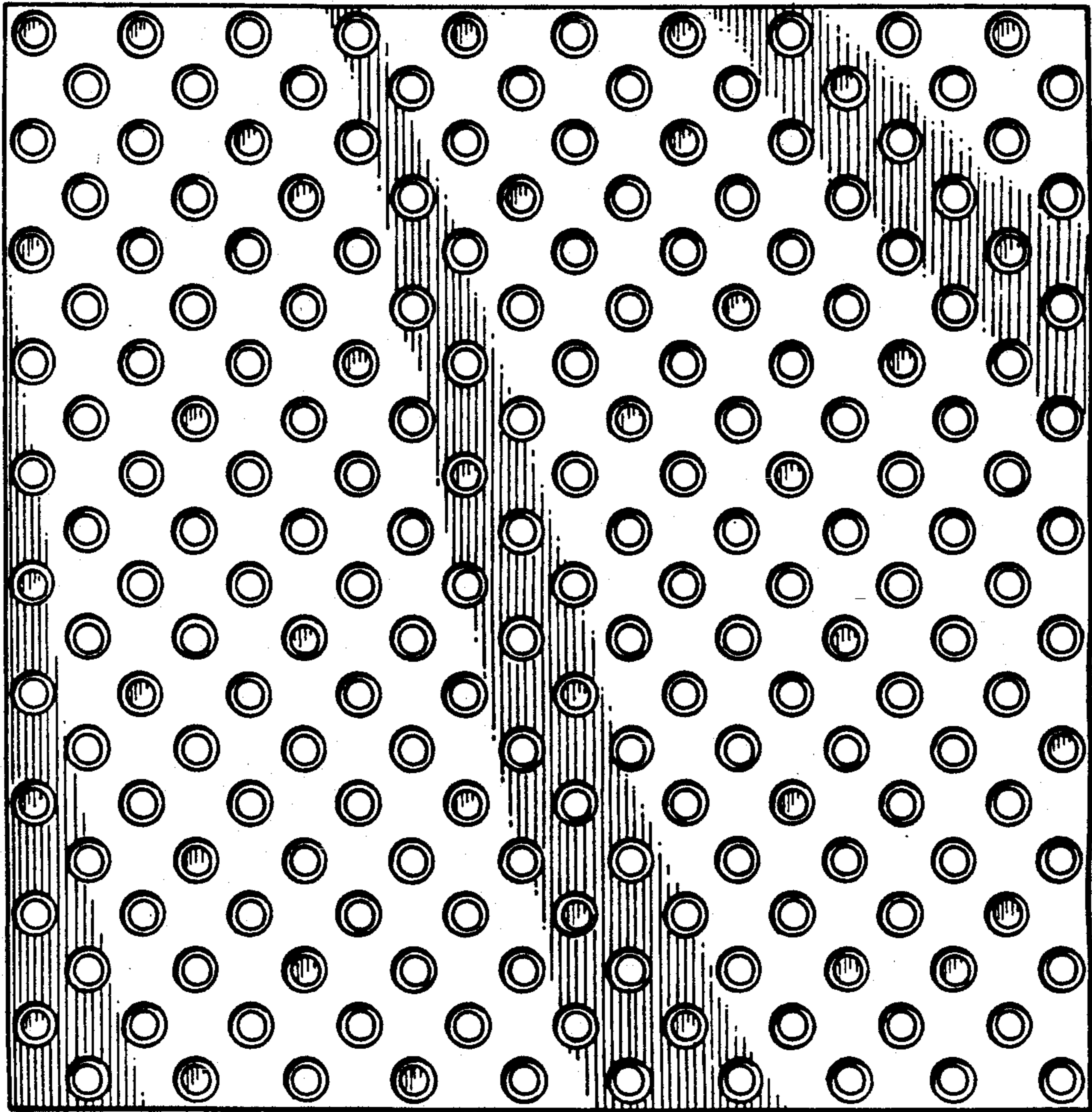


FIG. 2



**FIG. 3**



**FIG. 4**

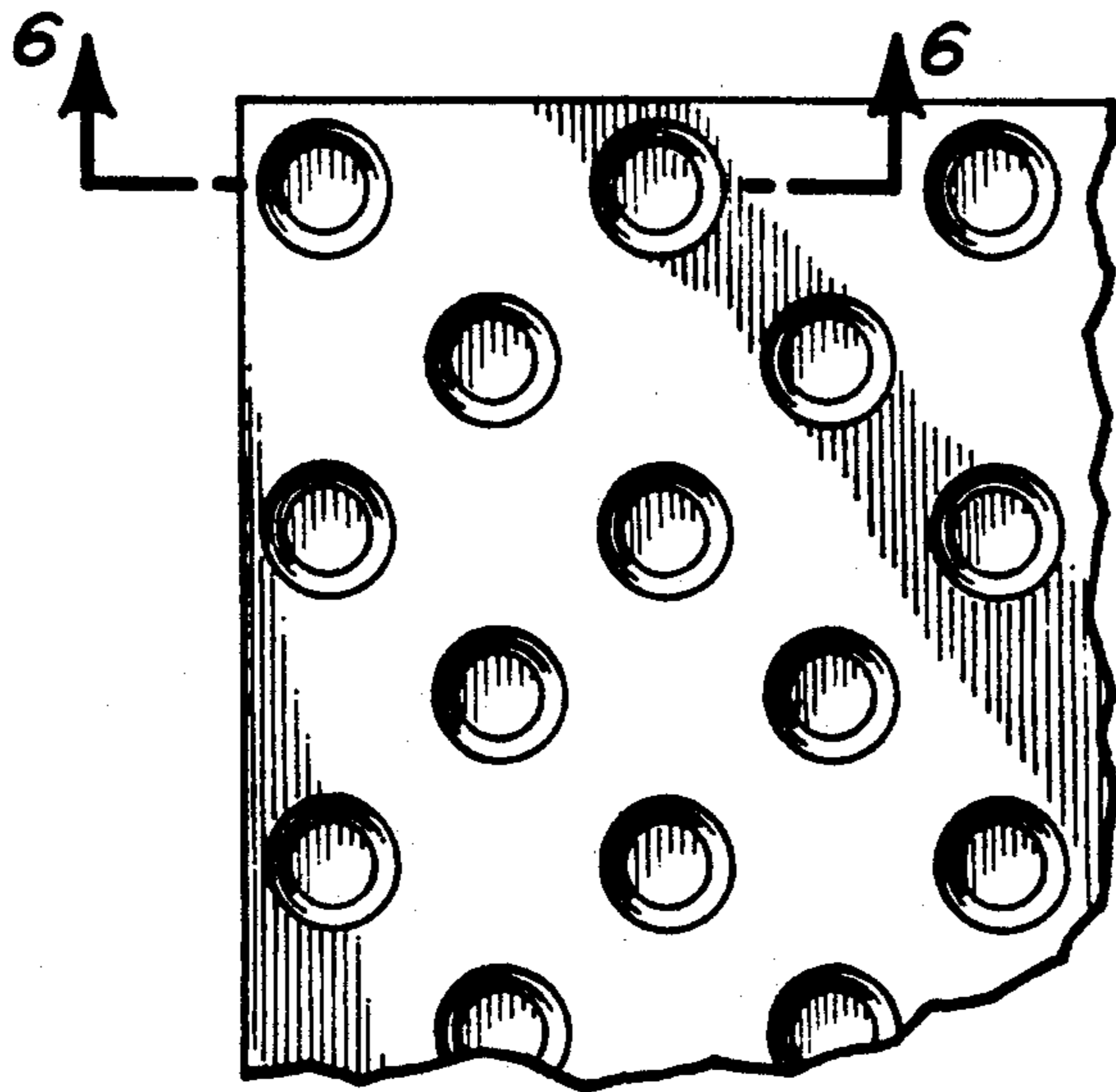


FIG. 5

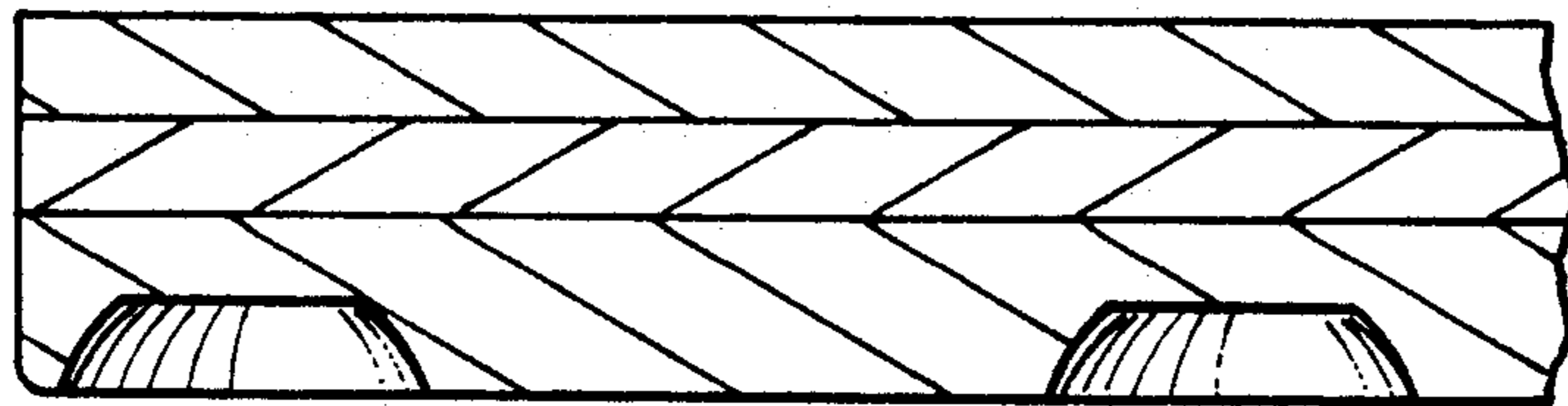


FIG. 6

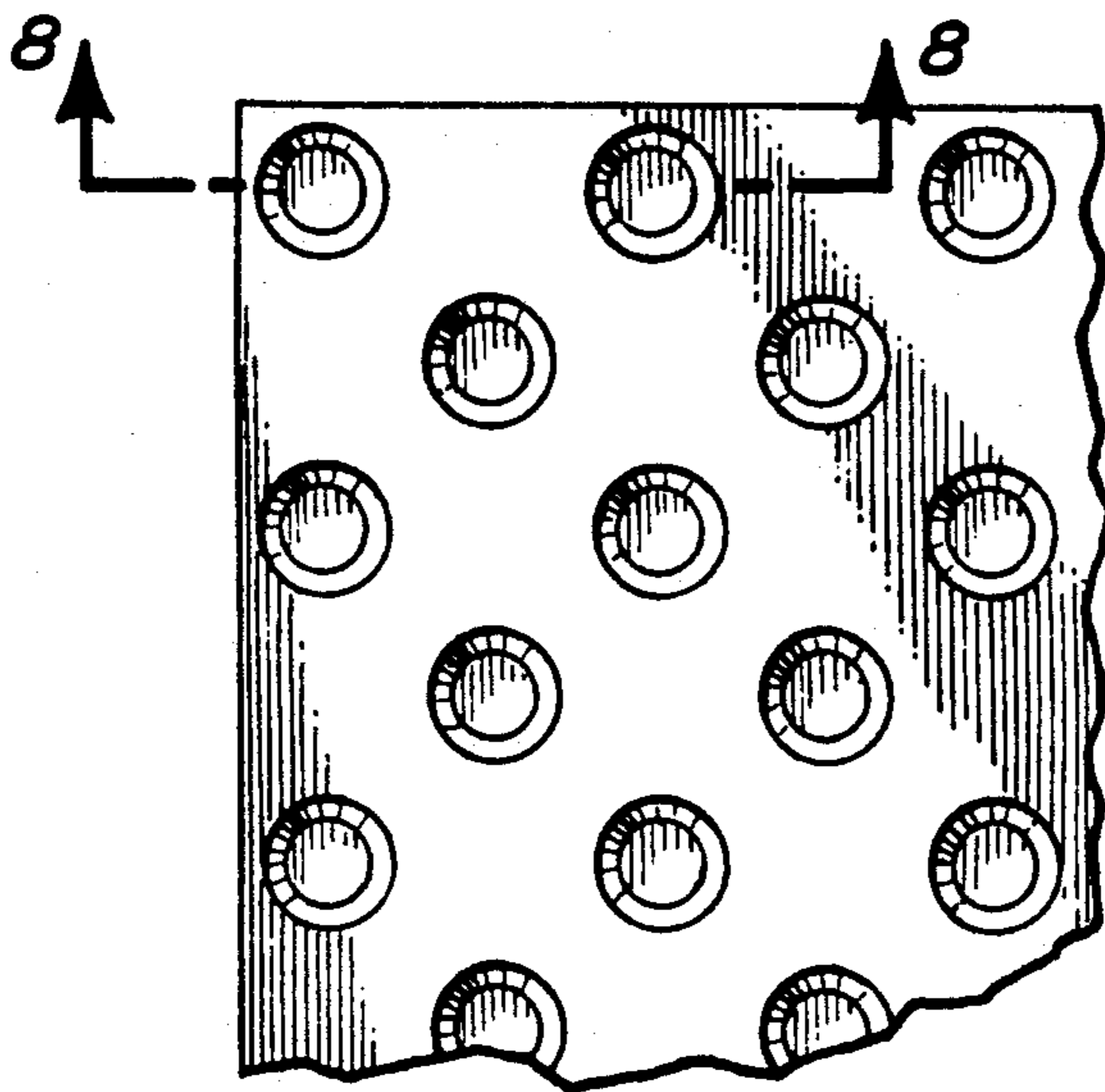
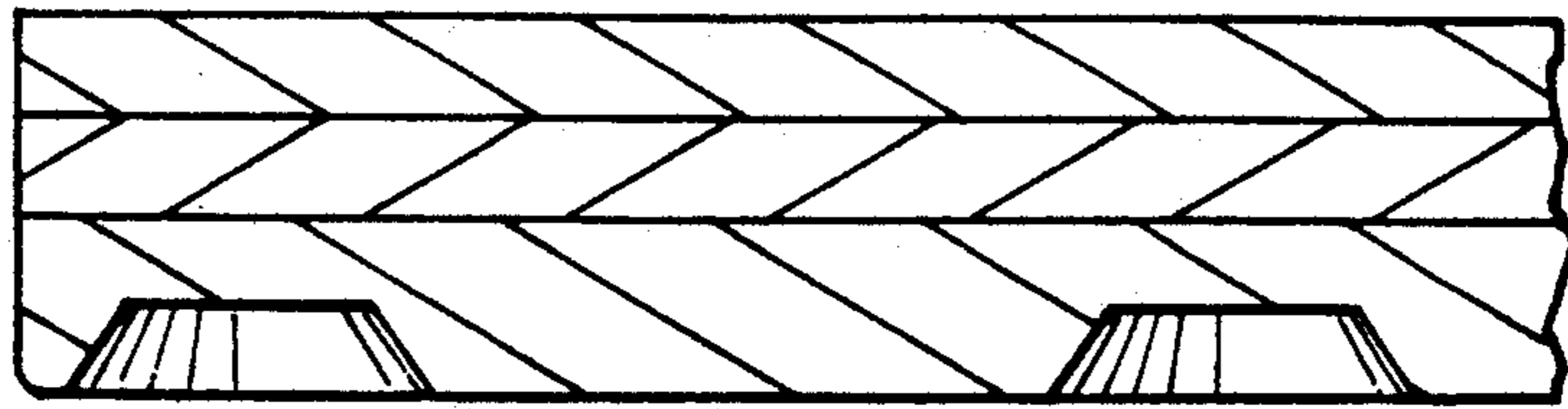
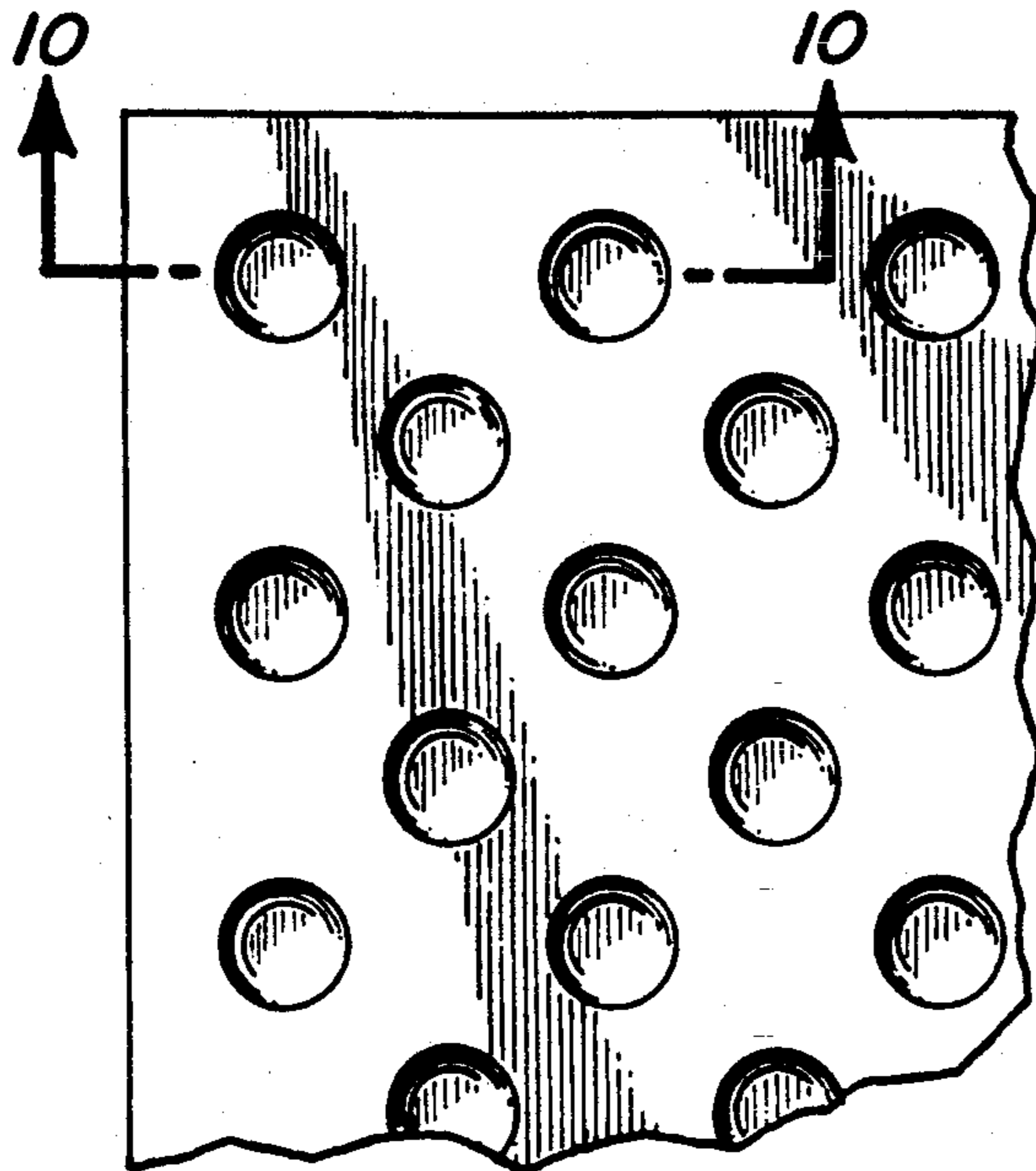


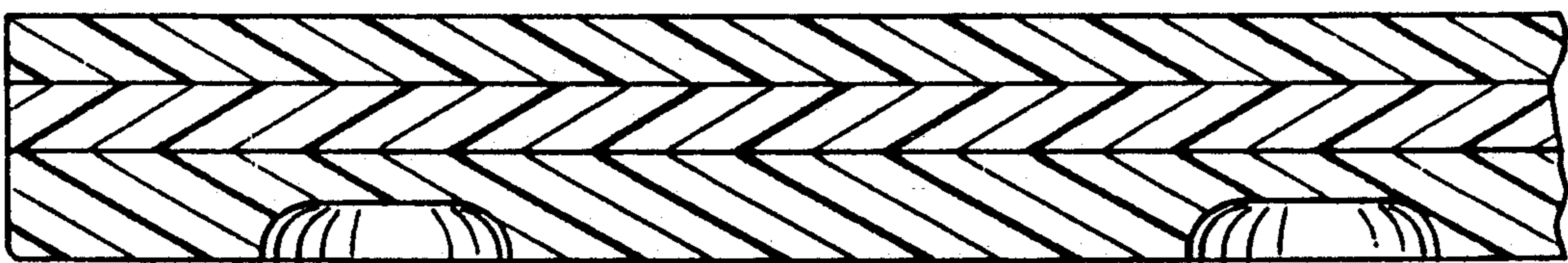
FIG. 7



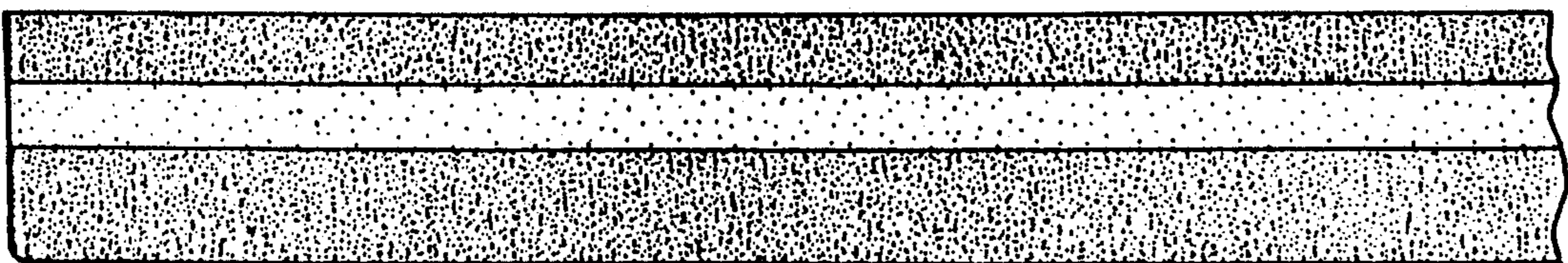
**FIG. 8**



**FIG. 9**



**FIG. 10**



**FIG. 11**