



US00D338816S

United States Patent [19]

[11] Patent Number: **Des. 338,816**

Maldonado

[45] Date of Patent: **** Aug. 31, 1993**

[54] **RATCHET WRENCH**

4,751,840	6/1988	Windsor	72/478
4,774,862	10/1988	Scull	81/177.8
4,811,638	3/1989	Kertzsch	81/125.1
4,848,194	7/1989	Santorineos	81/176.1

[76] Inventor: **Edwin Maldonado, 3144 S. Lituanica St., Chicago, Ill. 60608**

[**] Term: **14 Years**

Primary Examiner—Bernard Ansher
Assistant Examiner—Philip Hyder
Attorney, Agent, or Firm—Terry M. Gernstein

[21] Appl. No.: **670,619**

[22] Filed: **Mar. 18, 1991**

[52] U.S. Cl. **D8/21; D8/28**

[58] Field of Search **D8/21, 28; 81/60, 61, 81/62, 63, 63.1, 119, 125.1**

[57] CLAIM

The ornamental design for a ratchet wrench, as shown and described.

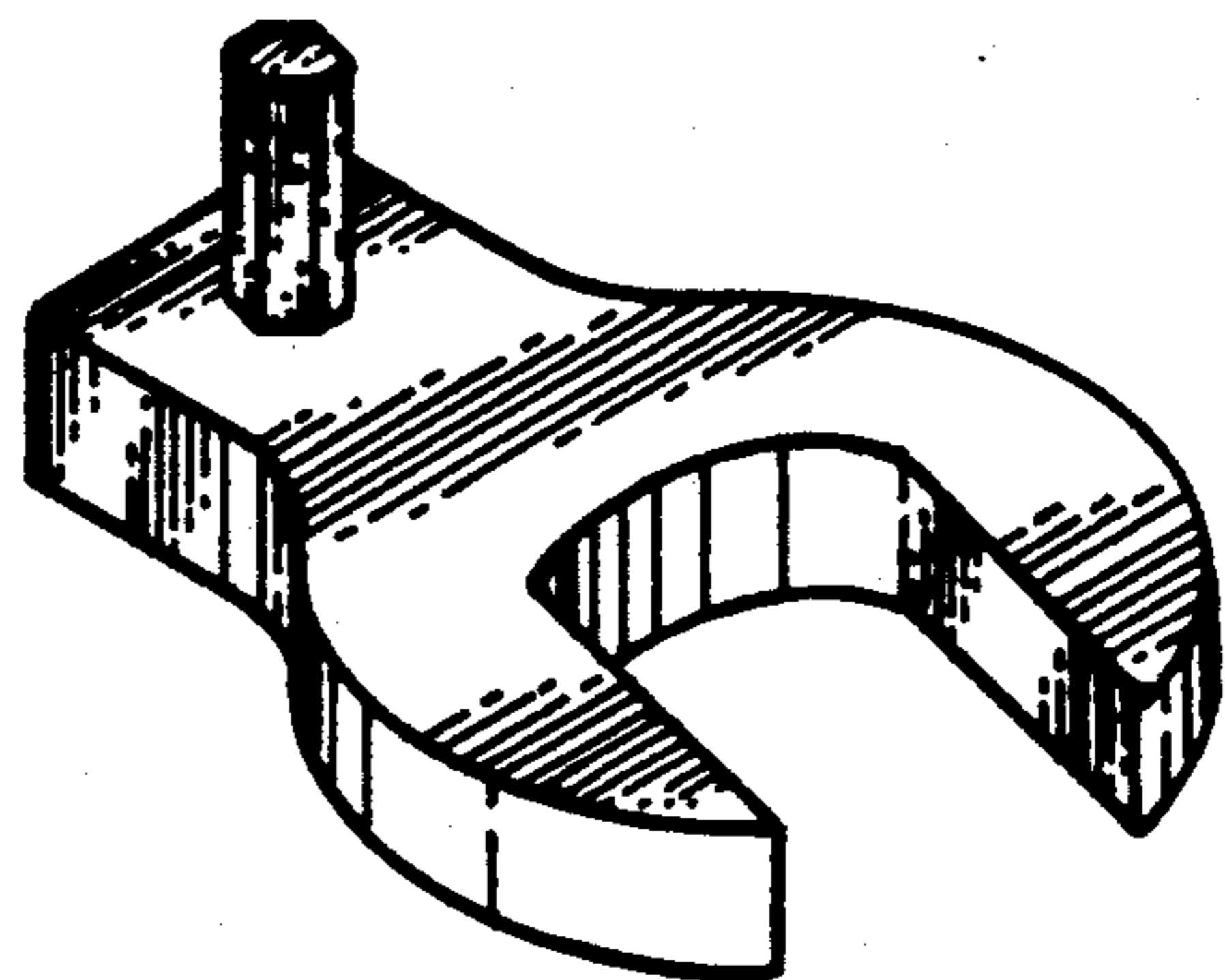
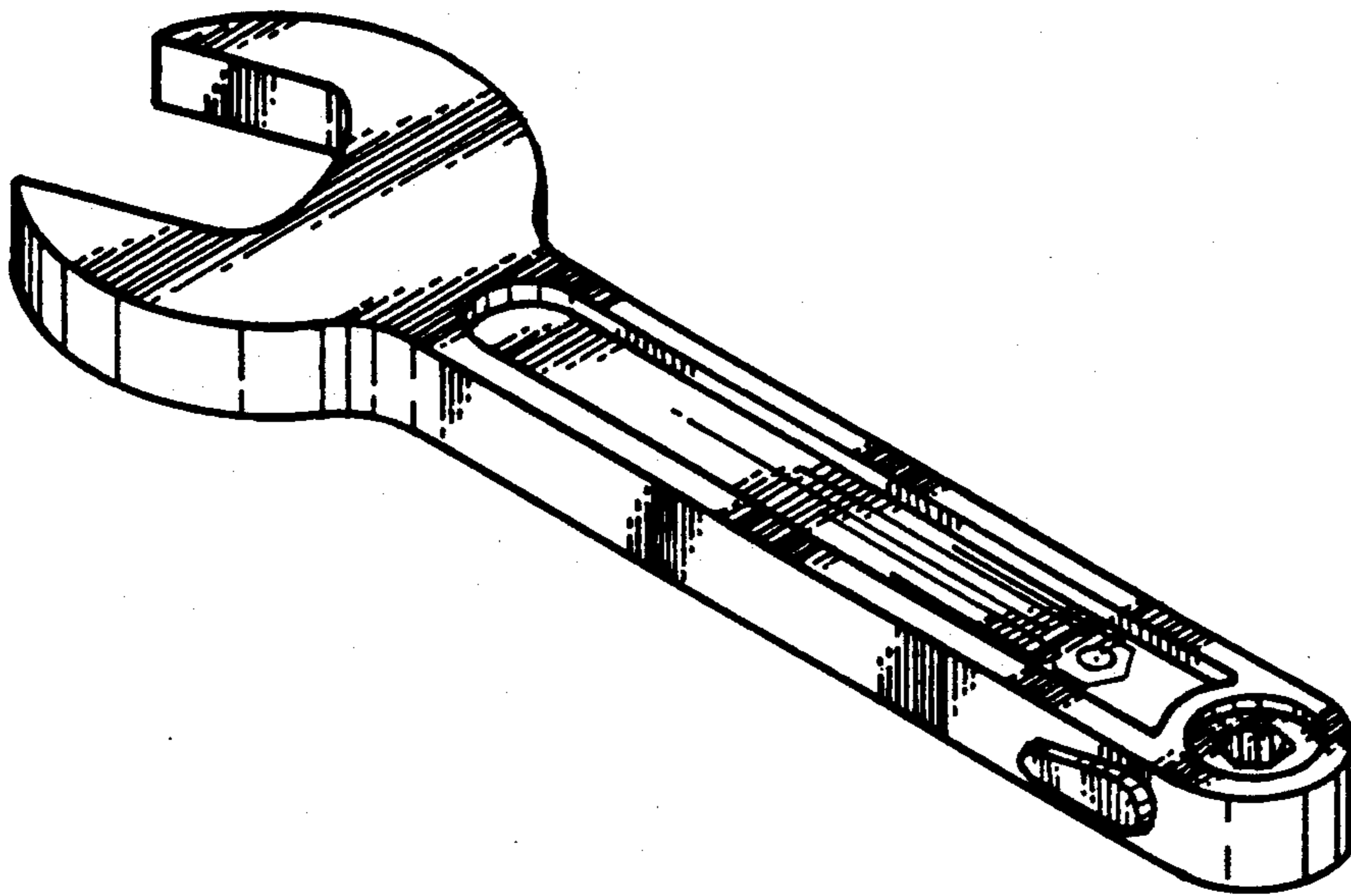
[56] References Cited

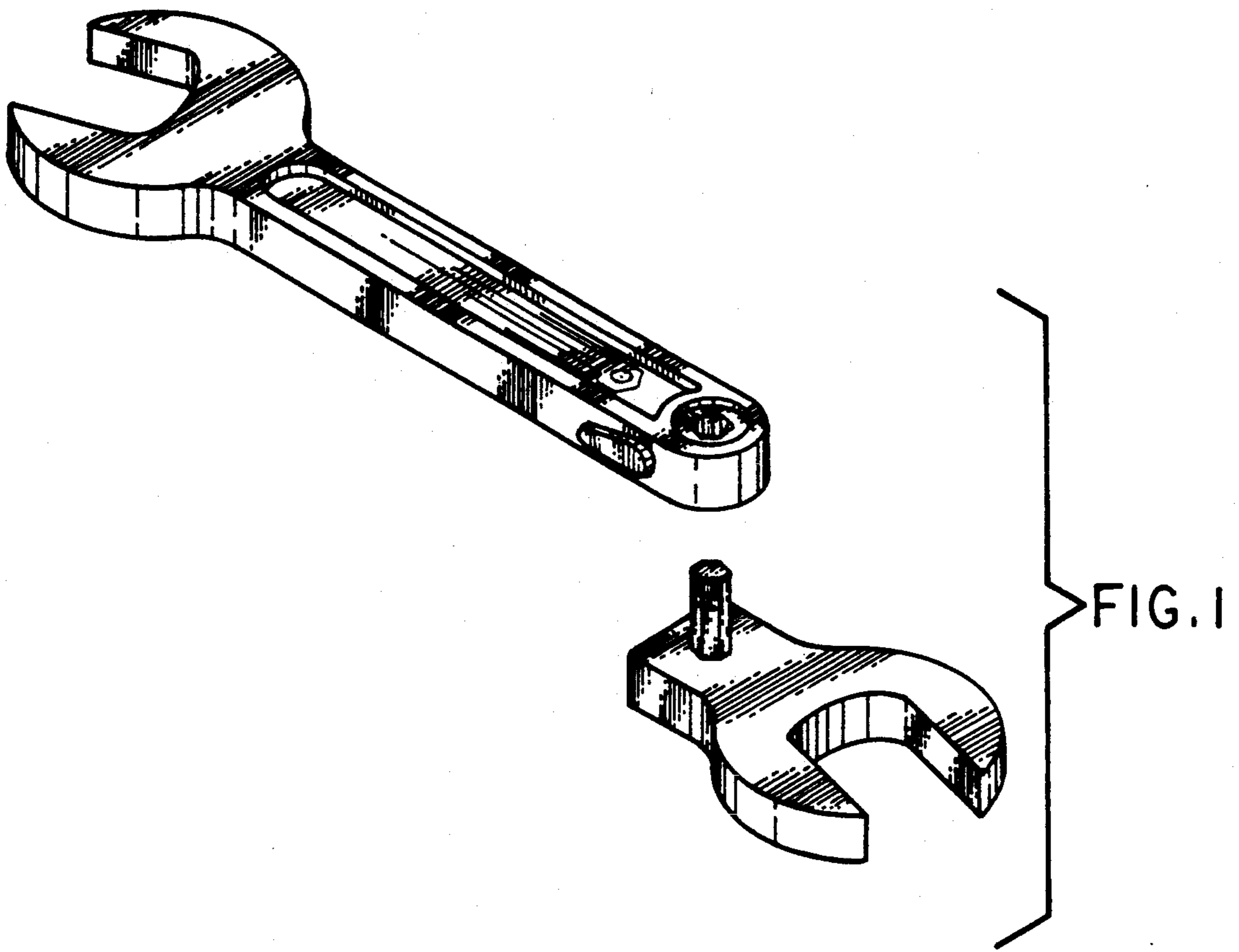
U.S. PATENT DOCUMENTS

1,822,428	9/1931	Zilliox	81/177.8
1,830,577	11/1931	Vallone	81/125.1
2,161,163	6/1939	Hedgpeth	81/125.1
2,426,763	9/1947	Curtis	81/125.1
3,802,303	4/1974	Evans et al.	81/119
3,858,464	1/1975	Evans	81/119
4,715,252	12/1987	Pella	81/176.1

DESCRIPTION

FIG. 1 is an exploded perspective view of a ratchet wrench, showing my new design; FIG. 2 is a front elevational view thereof; FIG. 3 is a rear elevational view thereof; FIG. 4 is a left side elevational view thereof; FIG. 5 is a right side elevational view thereof; FIG. 6 is a top plan view thereof; and, FIG. 7 is a bottom view thereof.





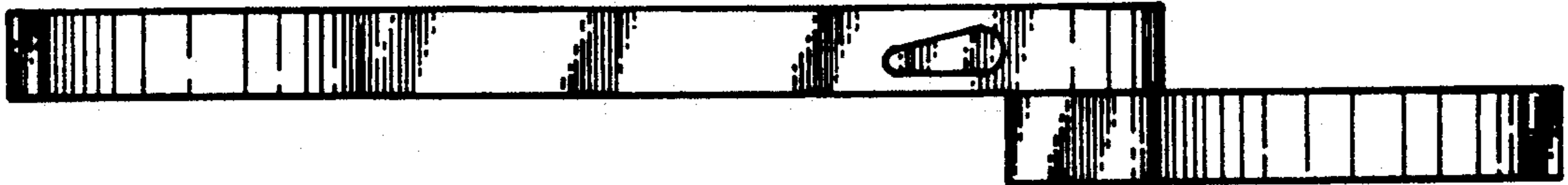


FIG. 2

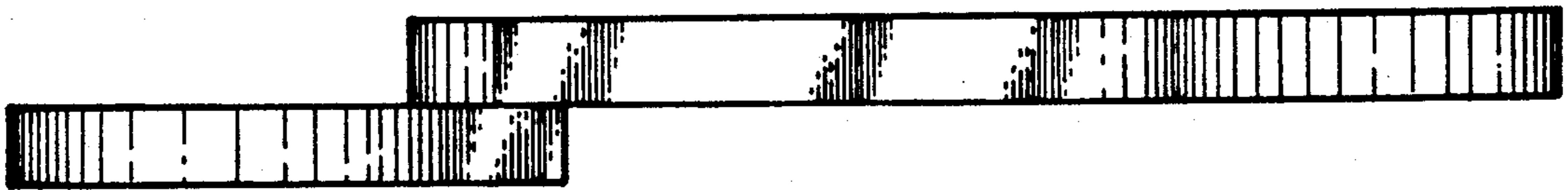


FIG. 3



FIG. 4



FIG. 5

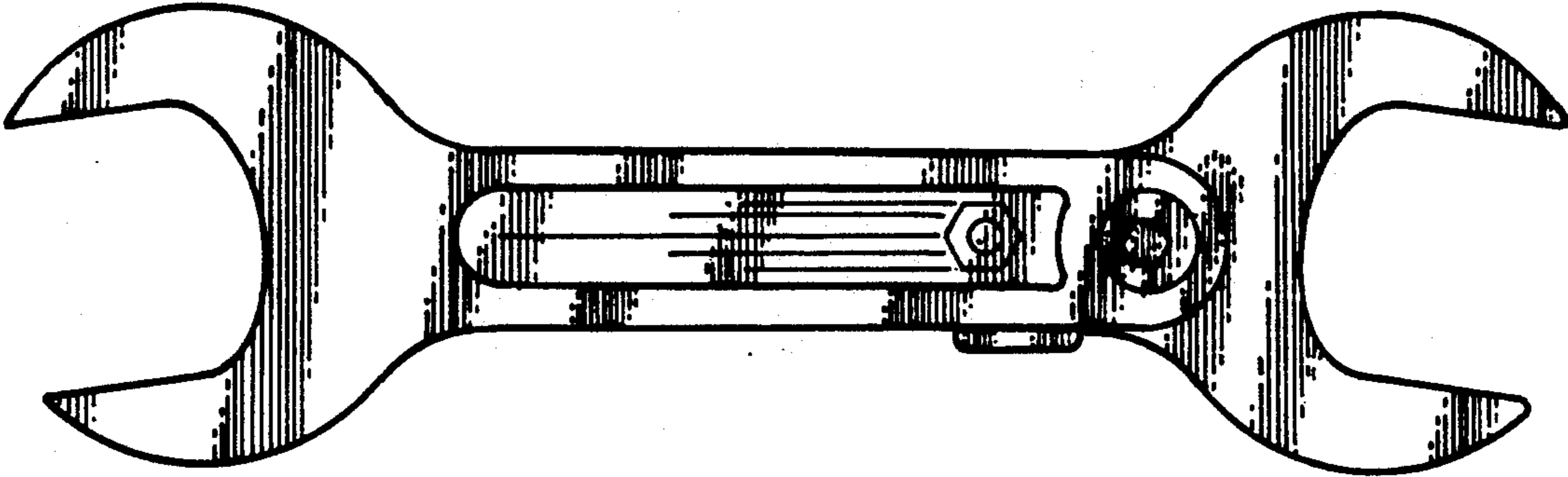


FIG. 6

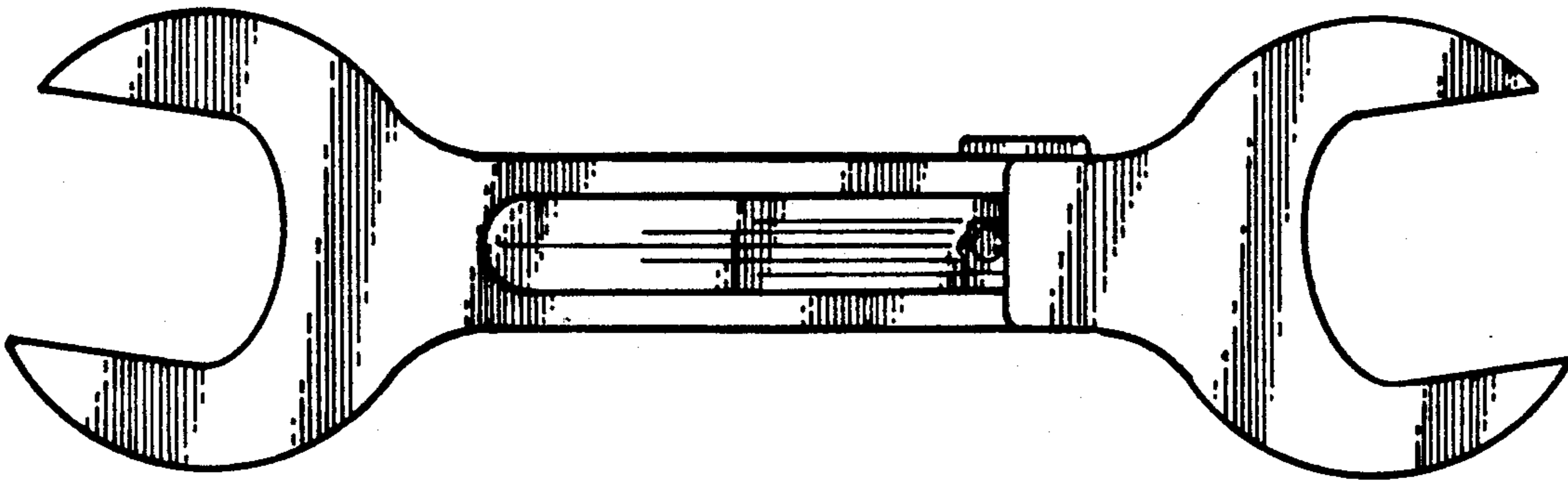


FIG. 7