



US00D338807S

United States Patent [19]

[11] Patent Number: **Des. 338,807**

Conti

[45] Date of Patent: **** Aug. 31, 1993**

[54] **CASSEROLE DISH**

[75] Inventor: **Rino Conti, Stoughton, Mass.**

[73] Assignee: **Dart Industries Inc., Deerfield, Ill.**

[**] Term: **14 Years**

[21] Appl. No.: **561,531**

[22] Filed: **Aug. 1, 1990**

[52] U.S. Cl. **D7/545; D7/354; D7/500**

[58] Field of Search **D7/500, 542, 545, 323, D7/354, 359, 360; 220/360, 366, 574, 912, 913; 99/324, 325, 339; 126/373**

[56] **References Cited**

U.S. PATENT DOCUMENTS

D. 217,490	5/1970	Swett et al.	D7/602
D. 235,302	6/1975	Lanigan	D7/584
D. 253,574	12/1979	Anderson	D7/542 X
D. 254,355	3/1980	Ottier	D7/545
D. 257,463	10/1980	Campbell et al.	D9/500
D. 269,593	7/1983	Gruodis et al.	D9/502
D. 270,323	8/1983	Powers	D7/543
D. 281,480	11/1985	McClelland	D7/542 X
D. 282,135	1/1986	McClelland	D7/538
D. 287,208	12/1986	Daenen et al.	D7/392.1 X
D. 288,649	3/1987	Daenen et al.	D7/586
2,822,952	2/1958	Scott	206/504
5,065,889	11/1991	Conti	220/366

Primary Examiner—Alan P. Douglas
Assistant Examiner—Caron D. Veynar
Attorney, Agent, or Firm—John A. Doninger

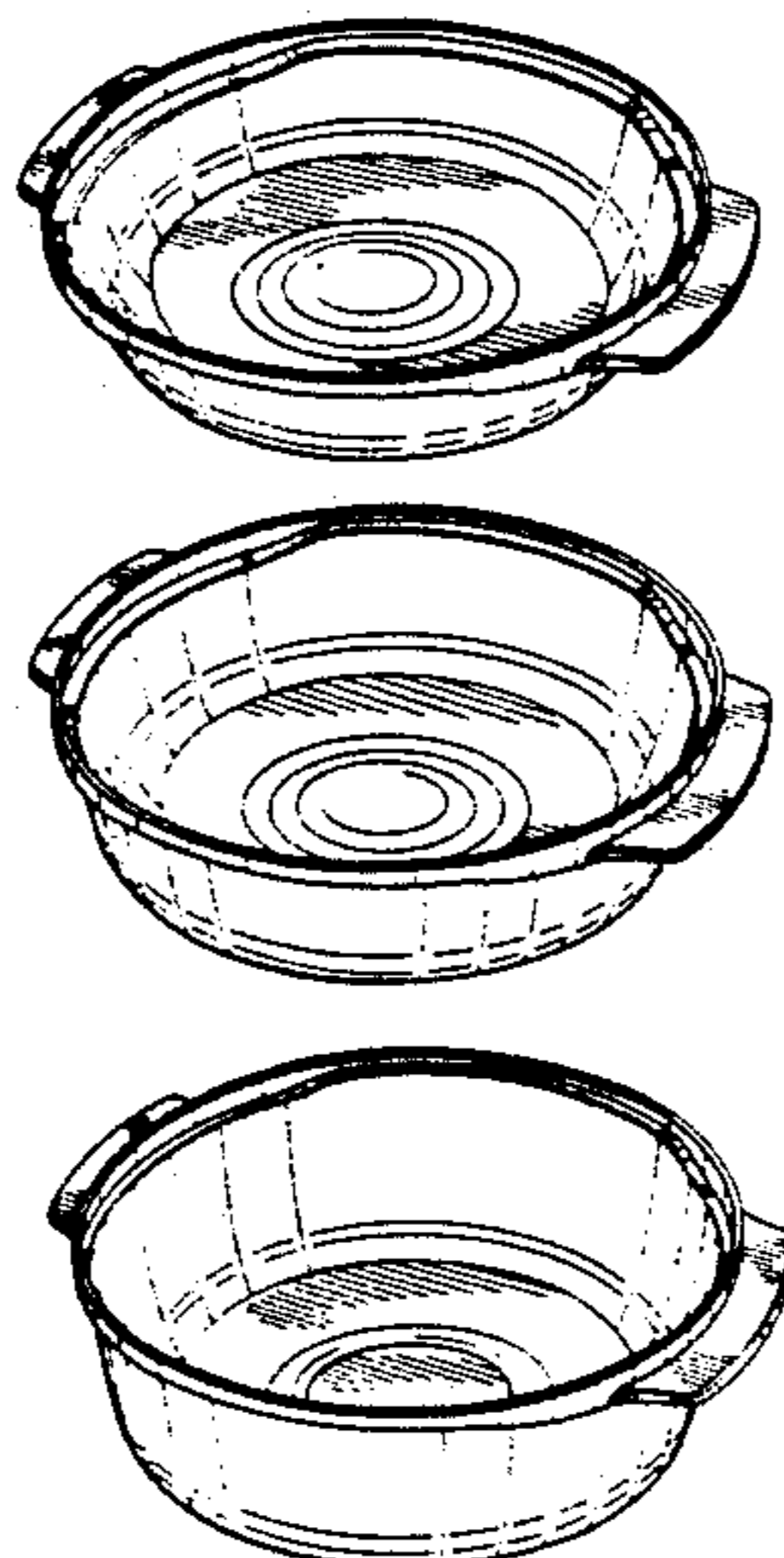
[57] **CLAIM**

The ornamental design for a casserole dish, as shown.

DESCRIPTION

FIG. 1 is a top perspective view of the casserole dish showing my new design;
FIG. 2 is a top plan view thereof;
FIG. 3 is a bottom plan view thereof;

FIG. 4 is a side elevational view thereof, the opposite side being identical thereto;
FIG. 5 is an end elevational view thereof, the opposite end being identical thereto;
FIG. 6 is a cross-sectional view taken along line 6—6 of FIG. 2;
FIG. 7 is a cross-sectional view taken along line 7—7 of FIG. 2;
FIG. 8 is a cross-sectional view taken along line 8—8 of FIG. 3;
FIG. 9 is a cross-sectional view taken along line 9—9 of FIG. 3;
FIG. 10 is a top perspective view of a modification of the casserole dish of FIG. 1;
FIG. 11 is a top plan view of FIG. 10;
FIG. 12 is a bottom plan view of FIG. 10;
FIG. 13 is a side elevational view of FIG. 10, the opposite side being identical thereto;
FIG. 14 is an end elevational view of FIG. 10, the opposite end being identical thereto;
FIG. 15 is a cross-sectional view taken along line 15—15 of FIG. 11;
FIG. 16 is a cross-sectional view taken along line 16—16 of FIG. 11;
FIG. 17 is a cross-sectional view taken along line 17—17 of FIG. 12;
FIG. 18 is a cross-sectional view taken along line 18—18 of FIG. 12;
FIG. 19 is a top perspective view of another modification of the casserole dish of FIG. 1;
FIG. 20 is a top plan view of FIG. 19;
FIG. 21 is a bottom plan view of FIG. 19;
FIG. 22 is a side elevational view of FIG. 19, the opposite side being identical thereto;
FIG. 23 is an end elevational view of FIG. 19, the opposite end being identical thereto;
FIG. 24 is a cross-sectional view taken along line 24—24 of FIG. 20;
FIG. 25 is a cross-sectional view taken along line 25—25 of FIG. 20;
FIG. 26 is a cross-sectional view taken along line 26—26 of FIG. 21; and,
FIG. 27 is a cross-sectional view taken along line 27—27 of FIG. 21.



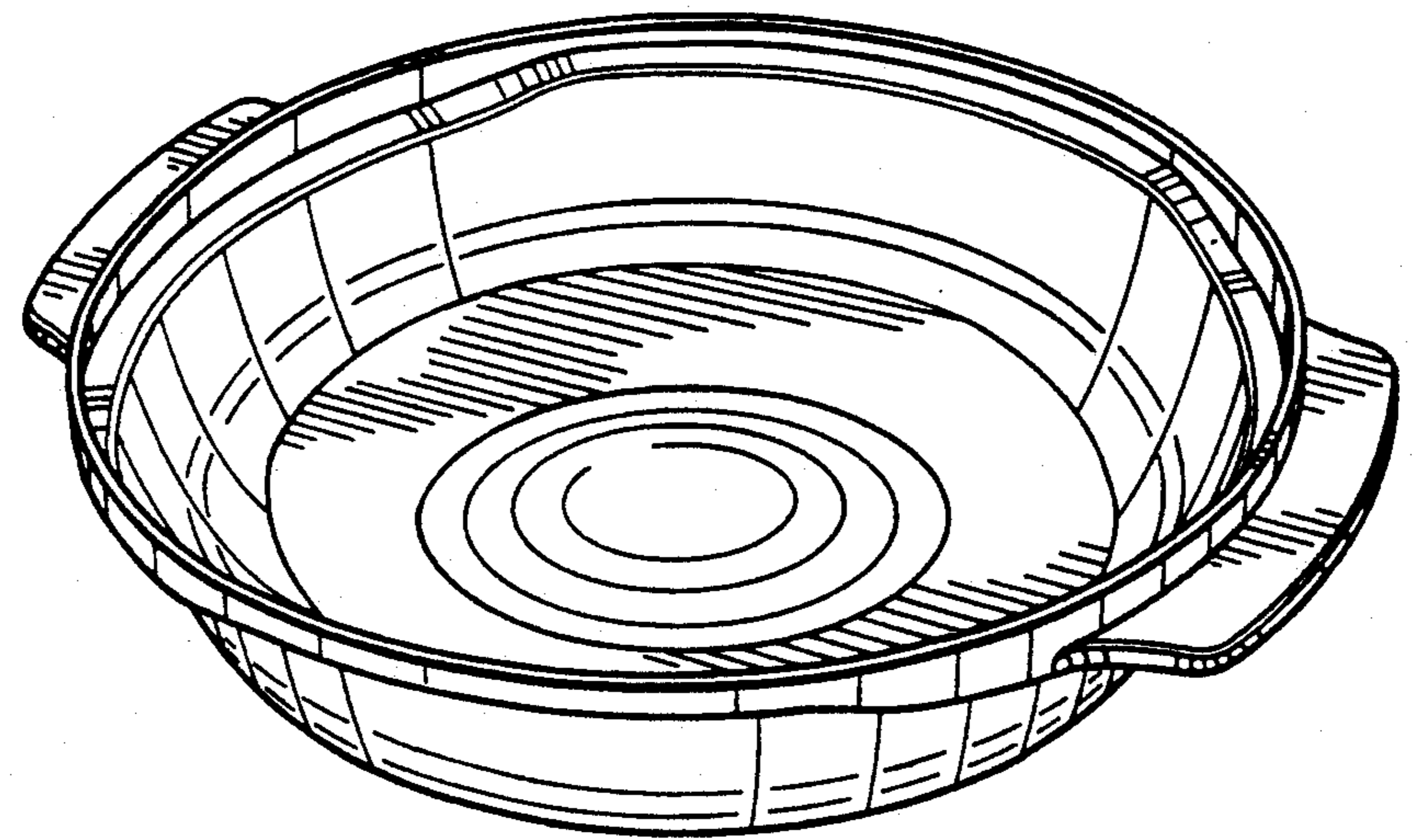


FIG. 1

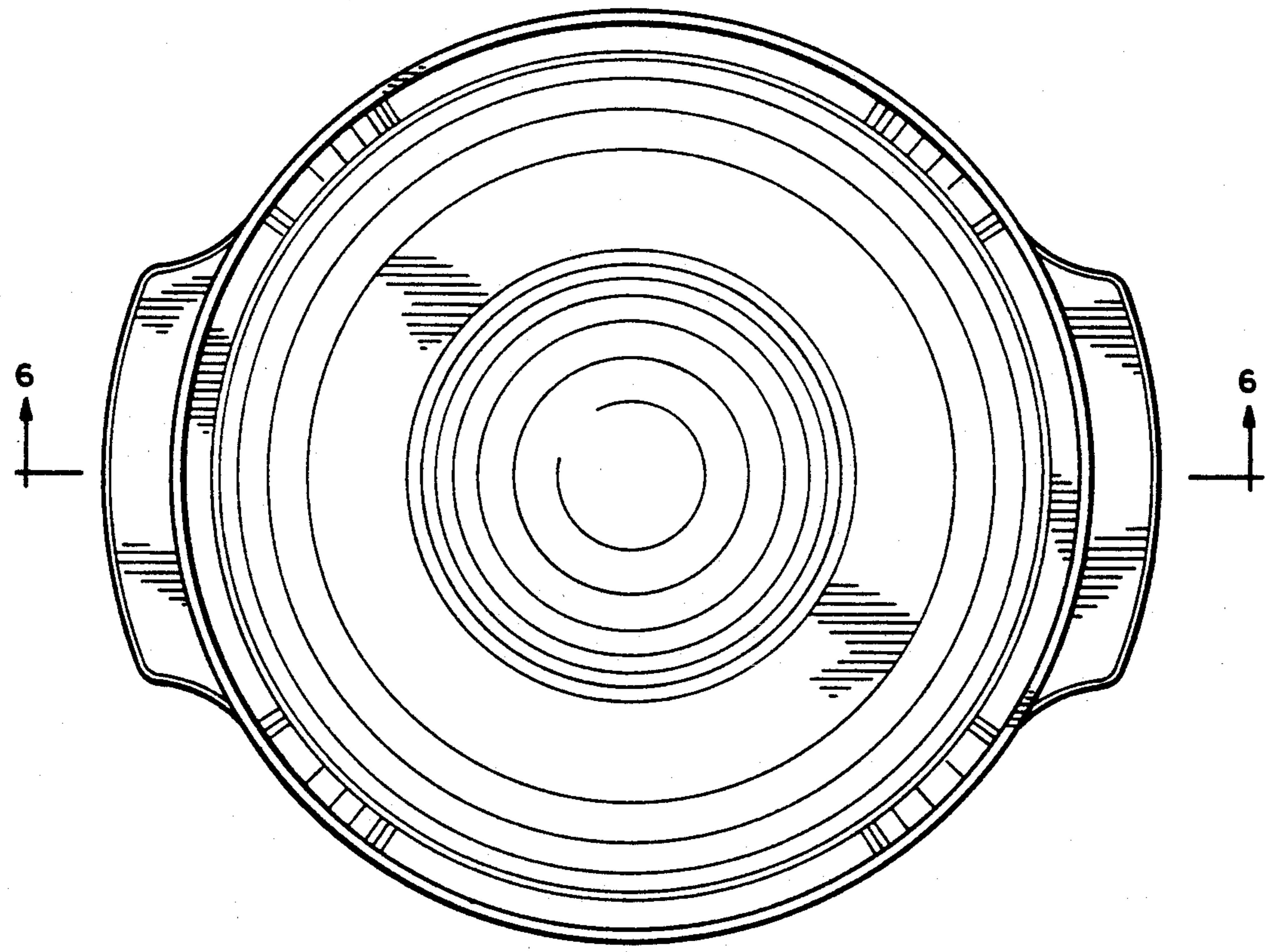
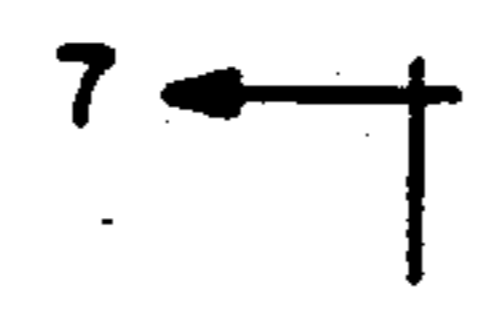


FIG. 2

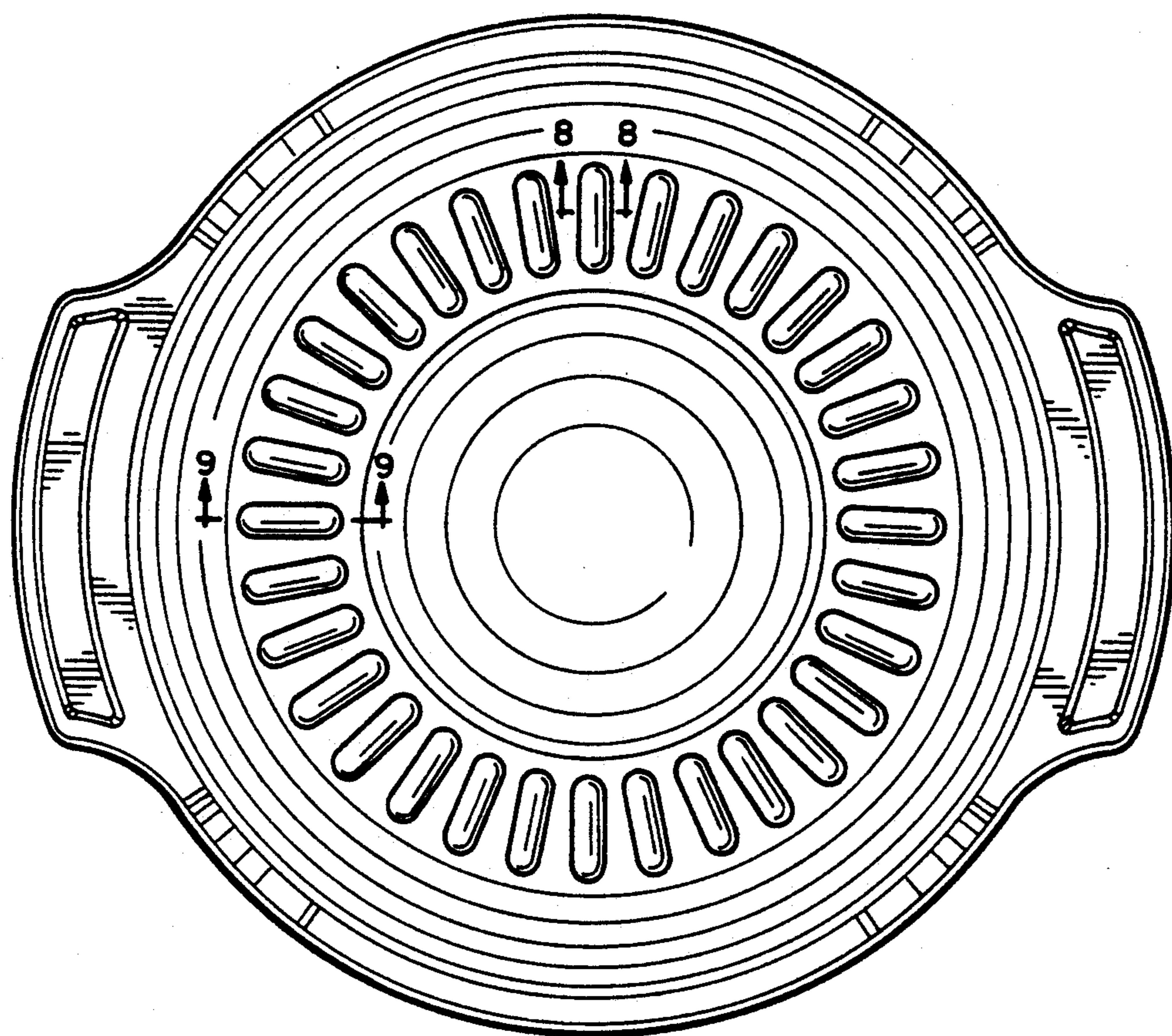


FIG. 3

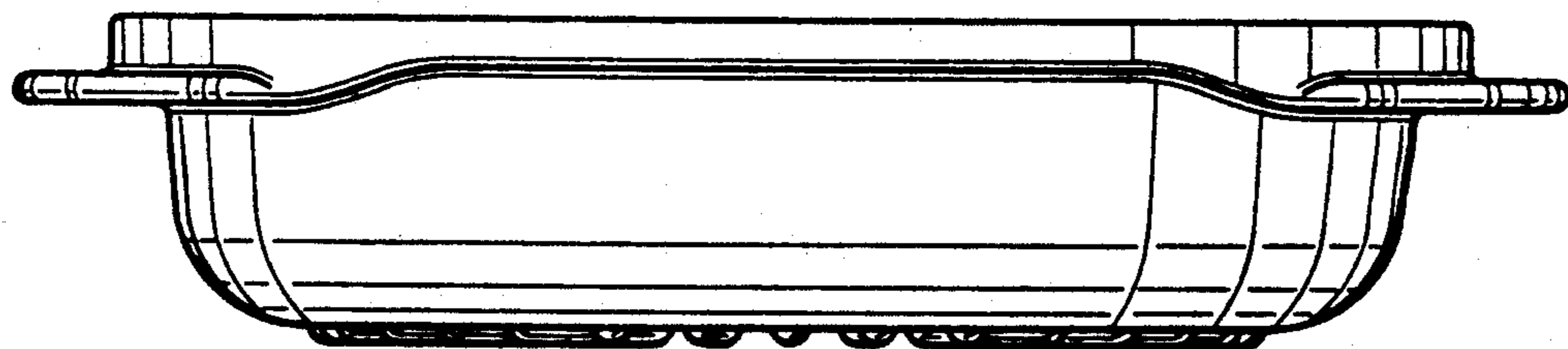


FIG. 4

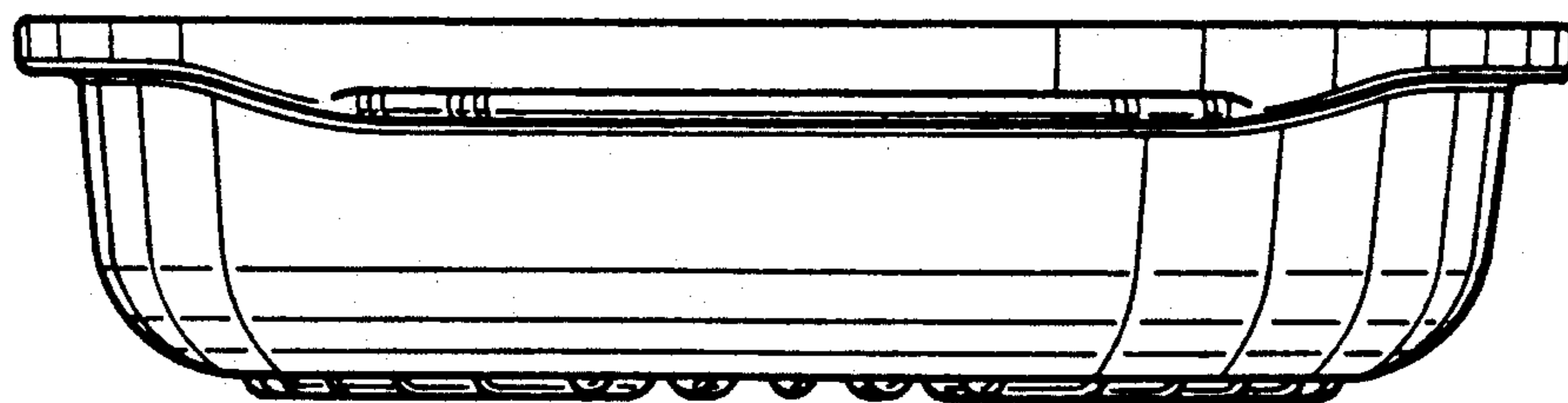


FIG. 5

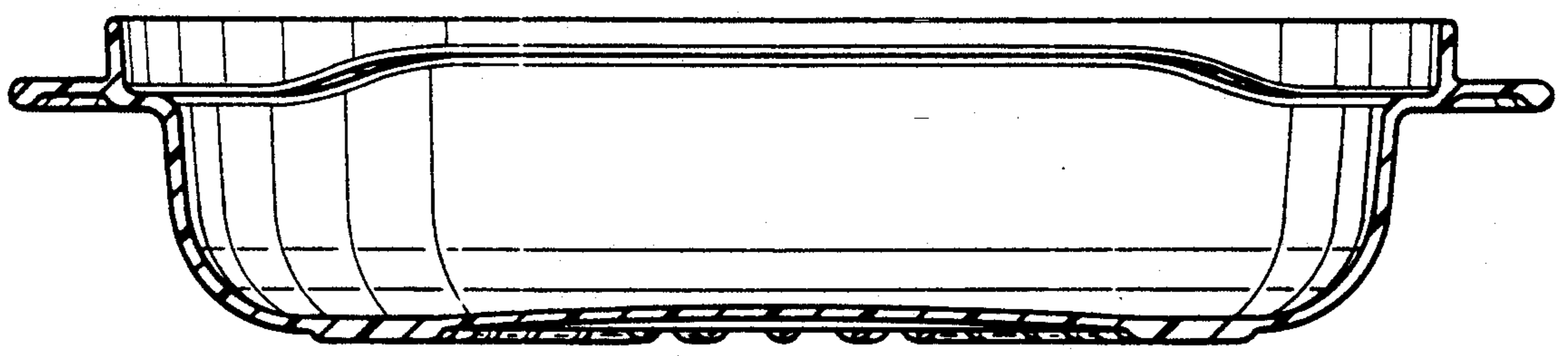


FIG. 6

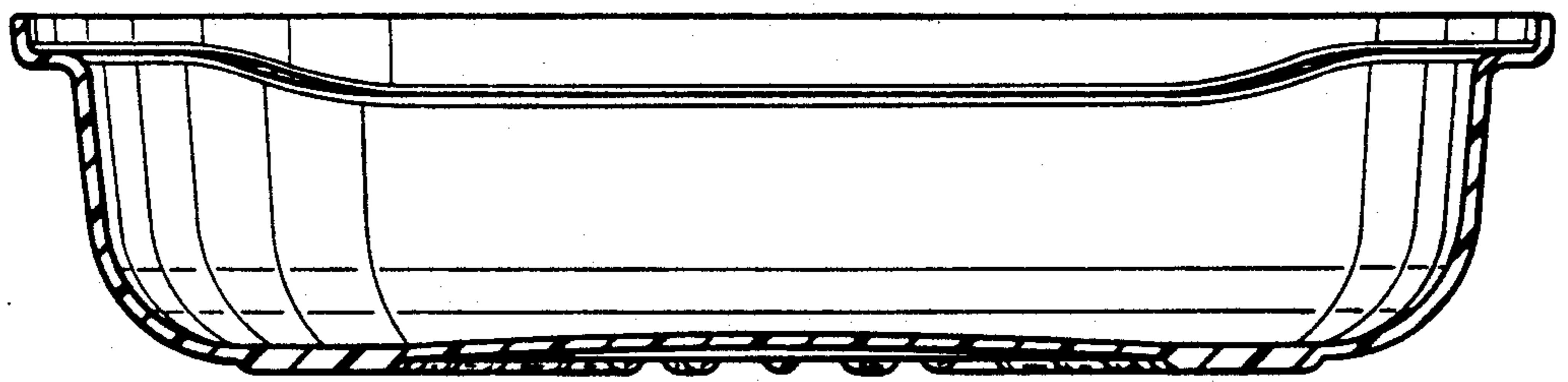


FIG. 7

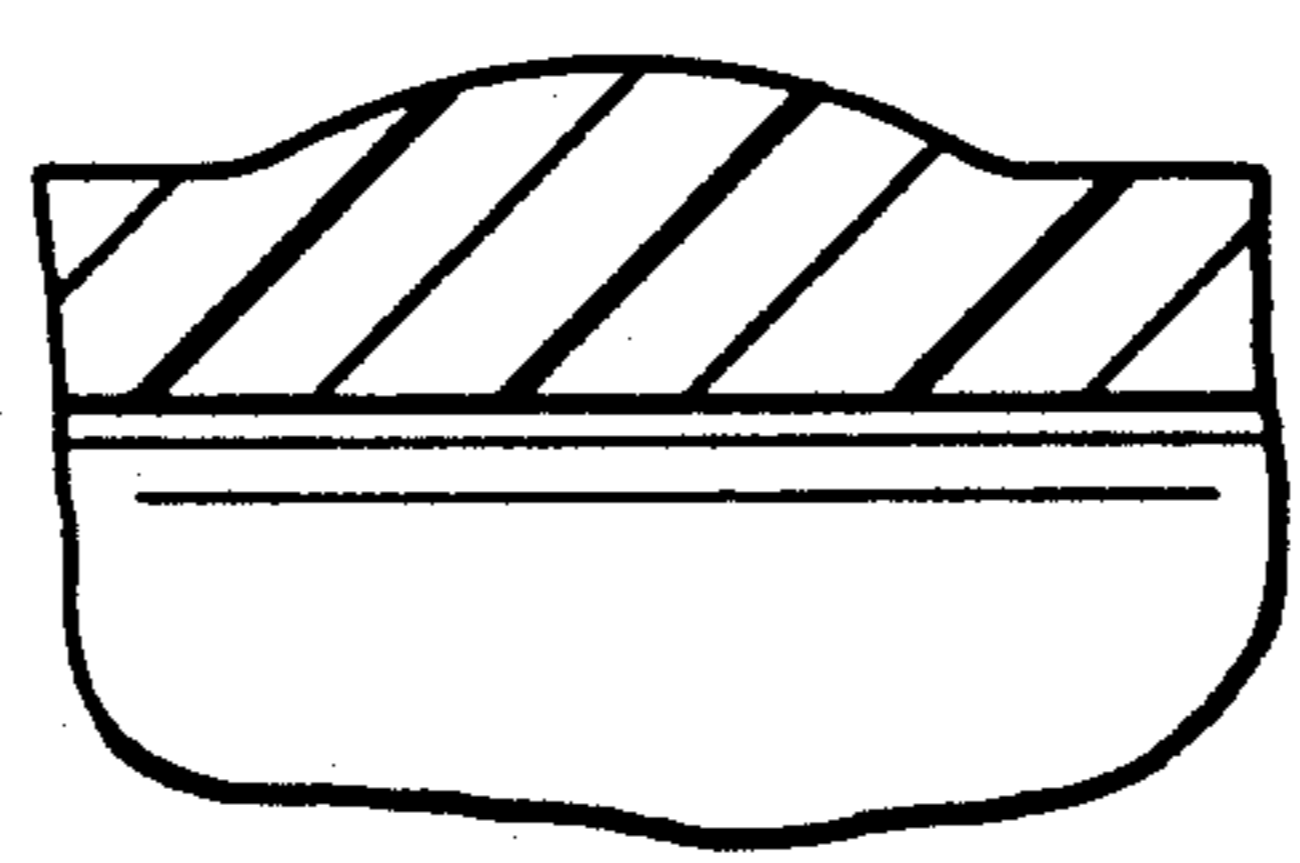


FIG. 8

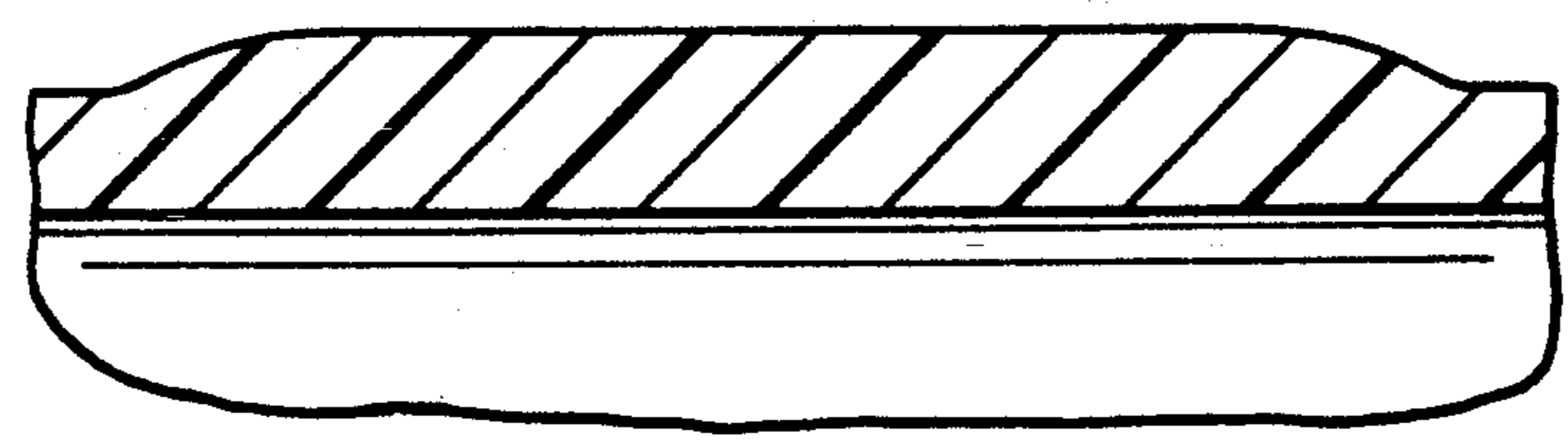


FIG. 9

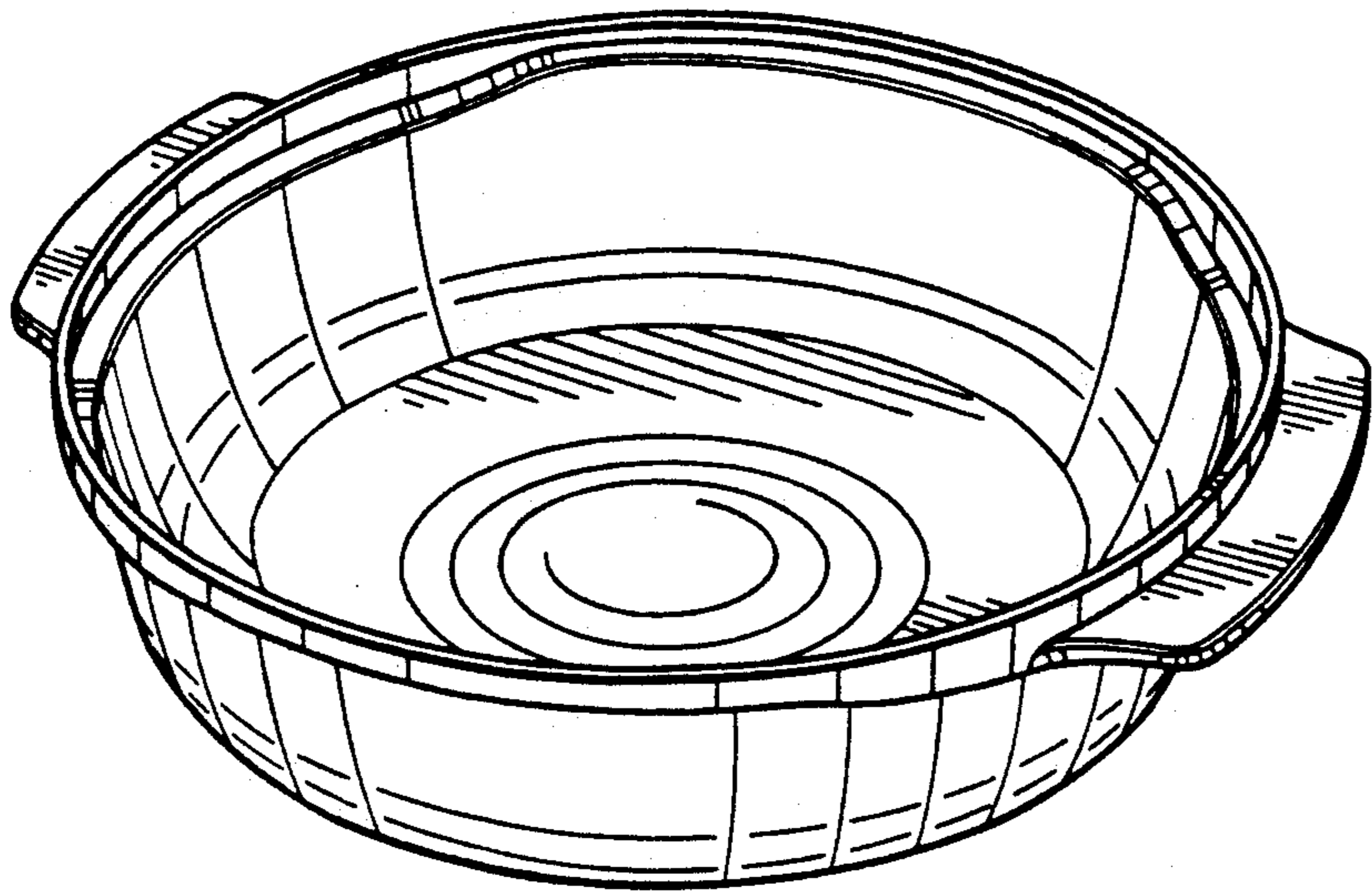


FIG. 10

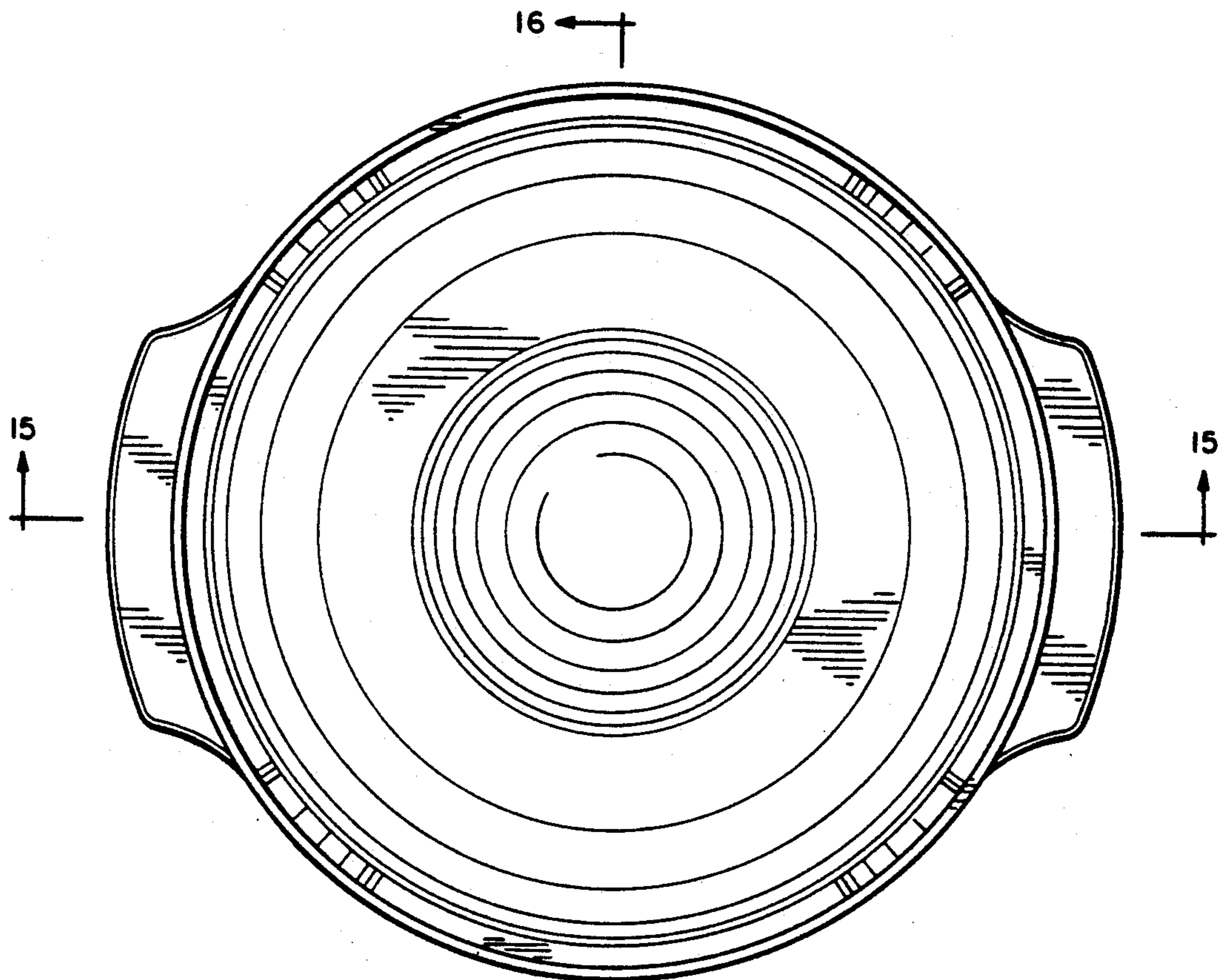


FIG. 11

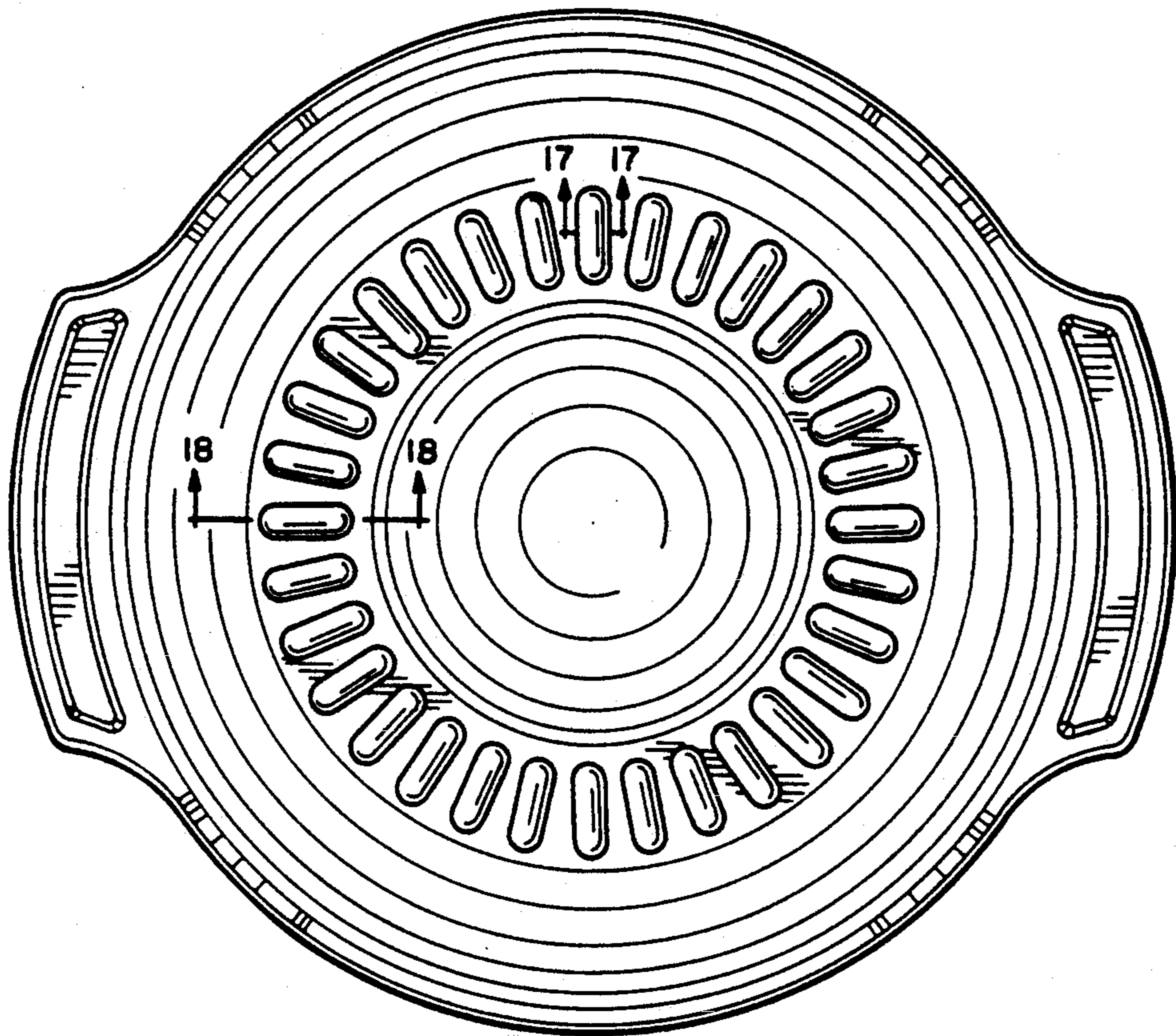


FIG. 12

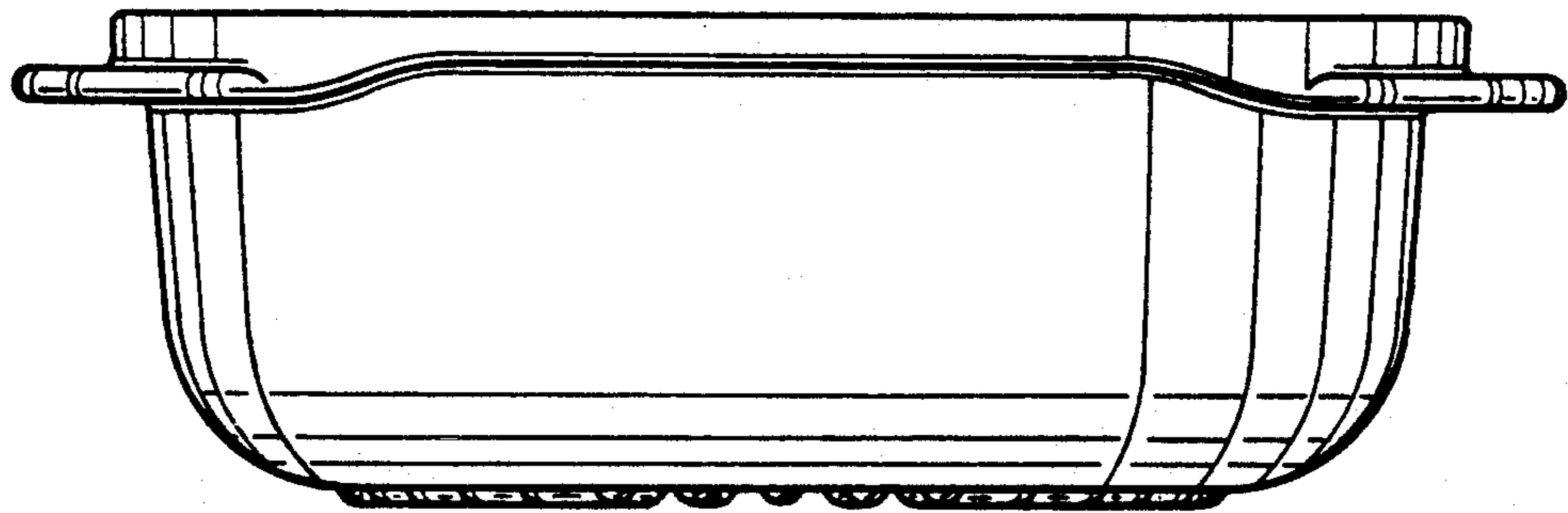


FIG. 13

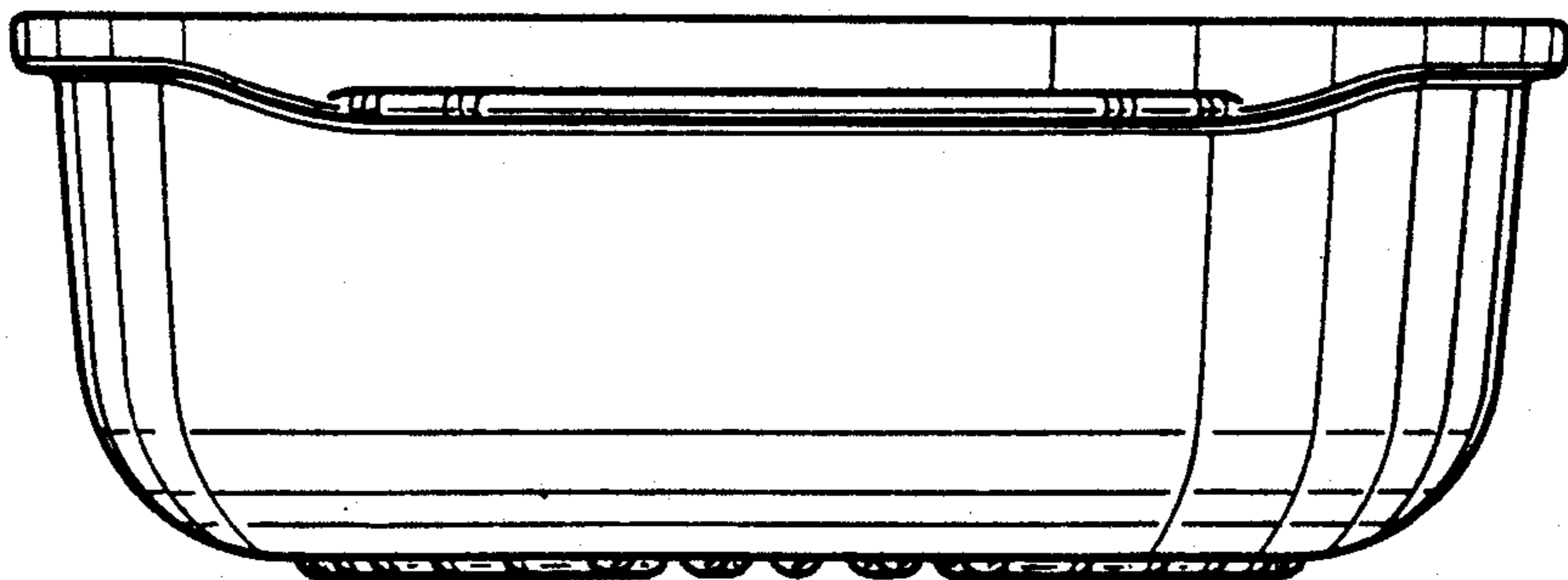


FIG. 14

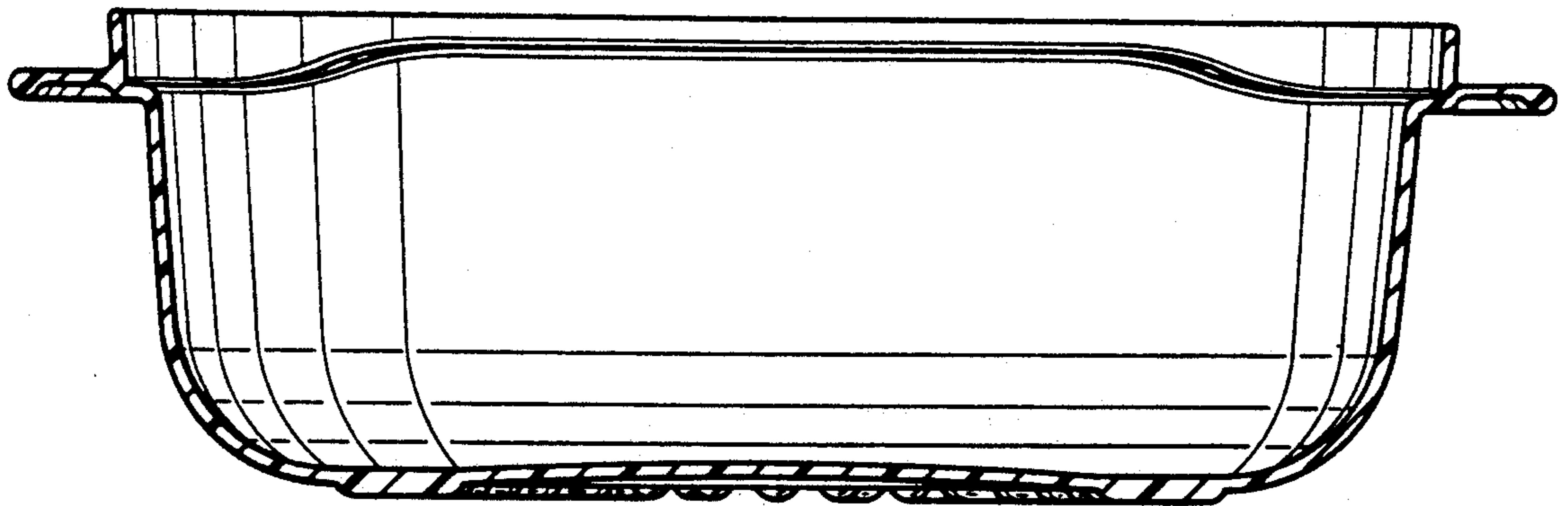


FIG. 15

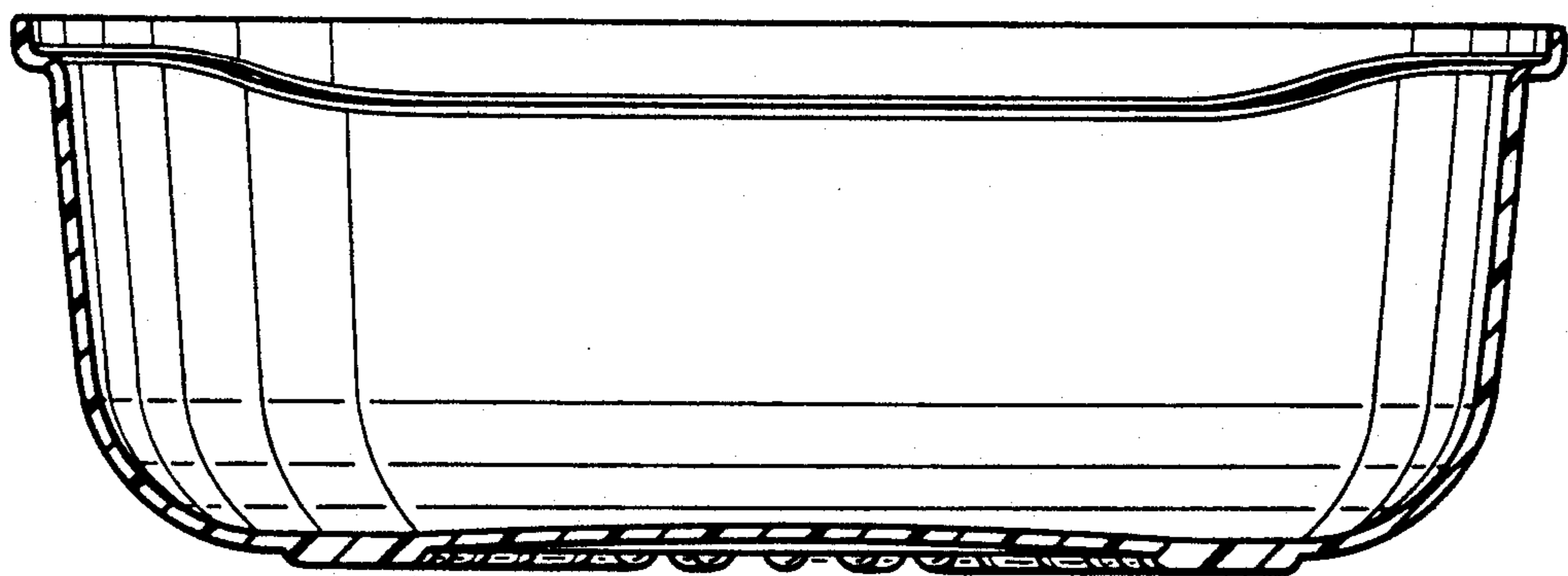


FIG. 16

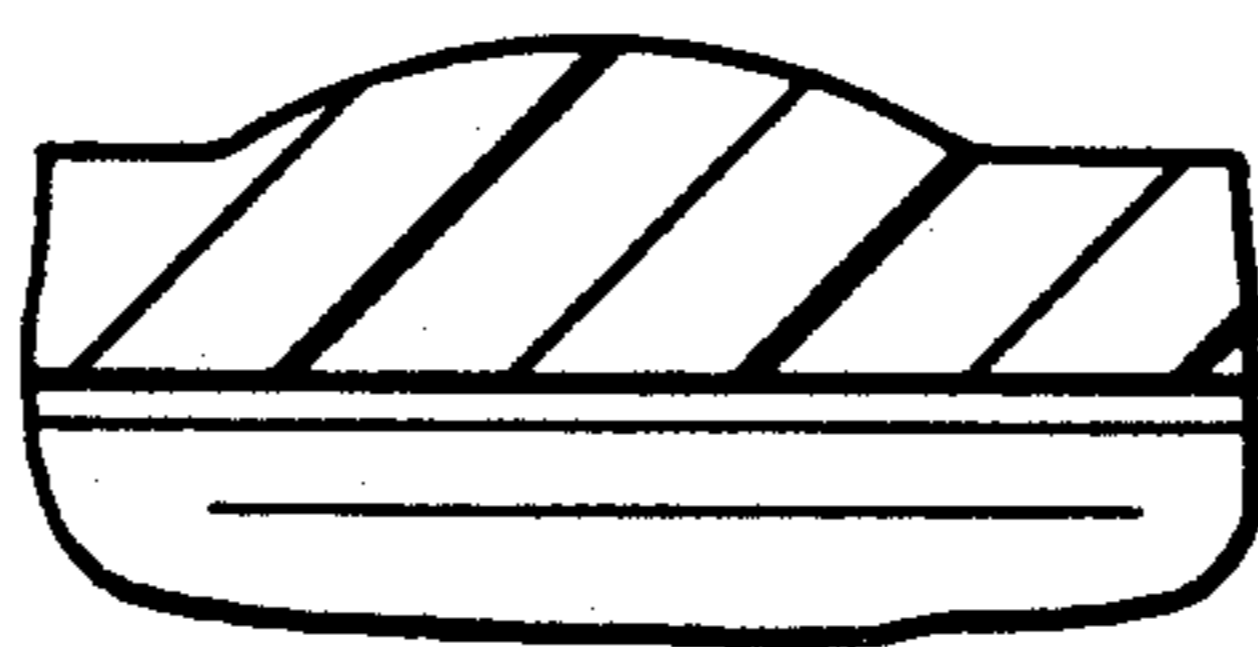


FIG. 17

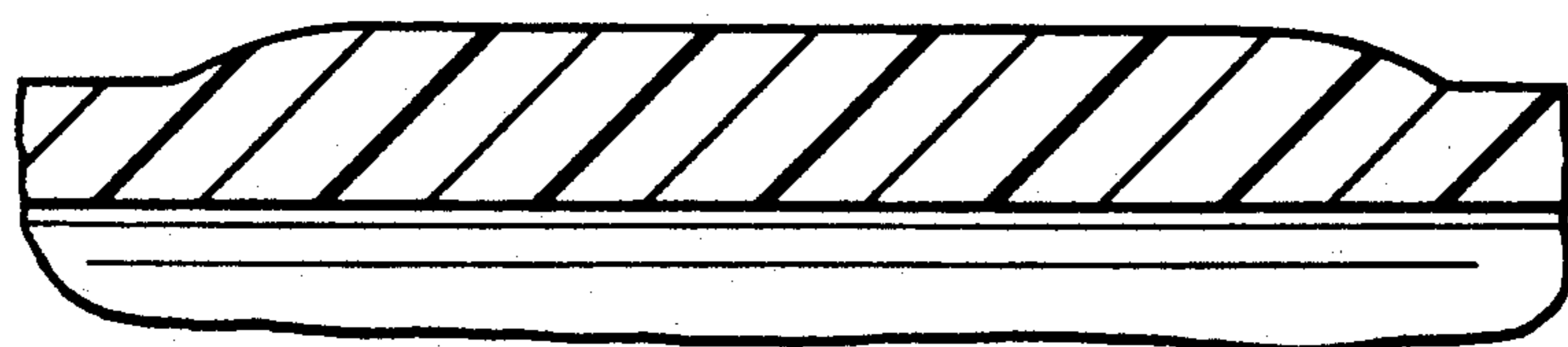


FIG. 18

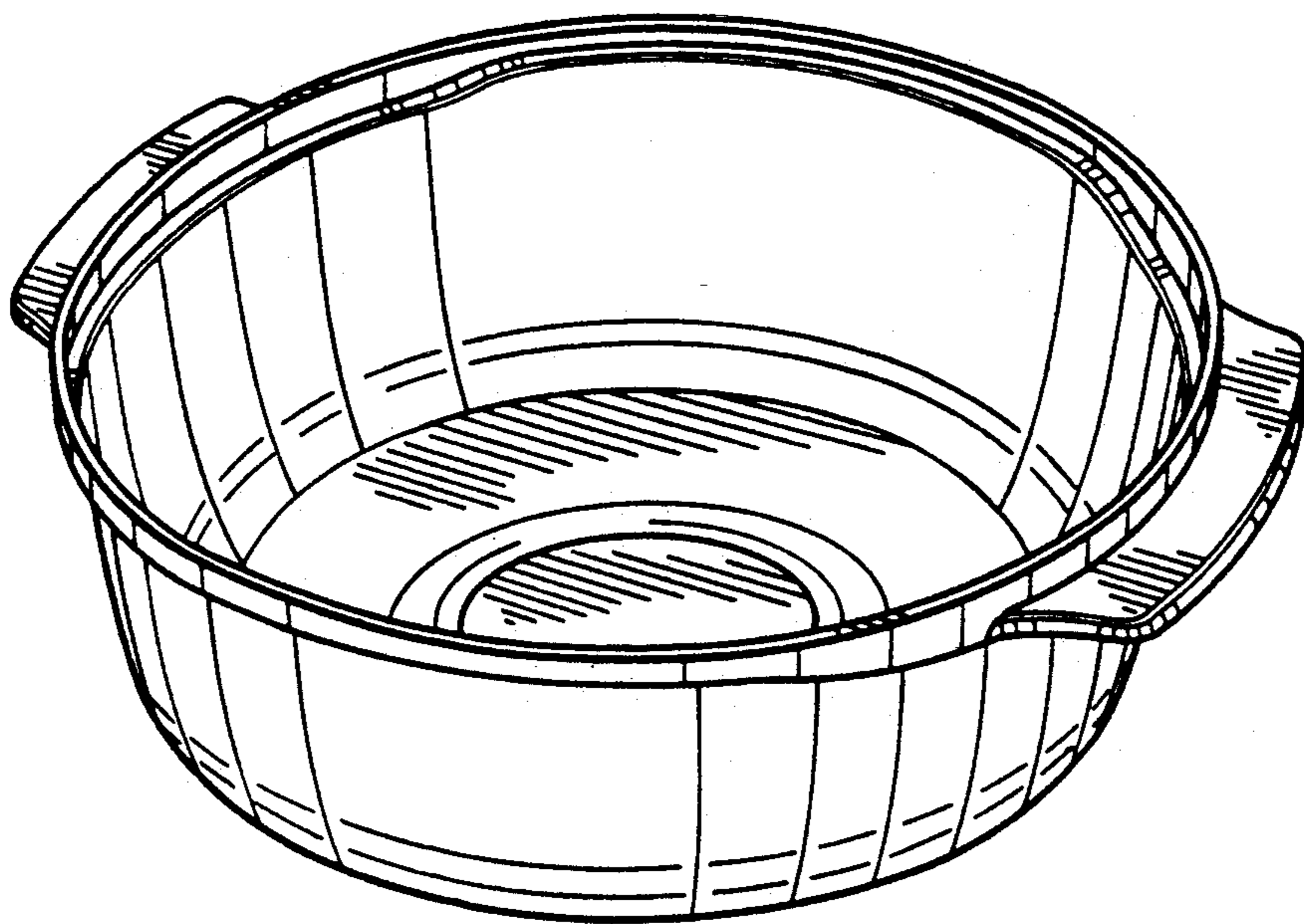


FIG. 19

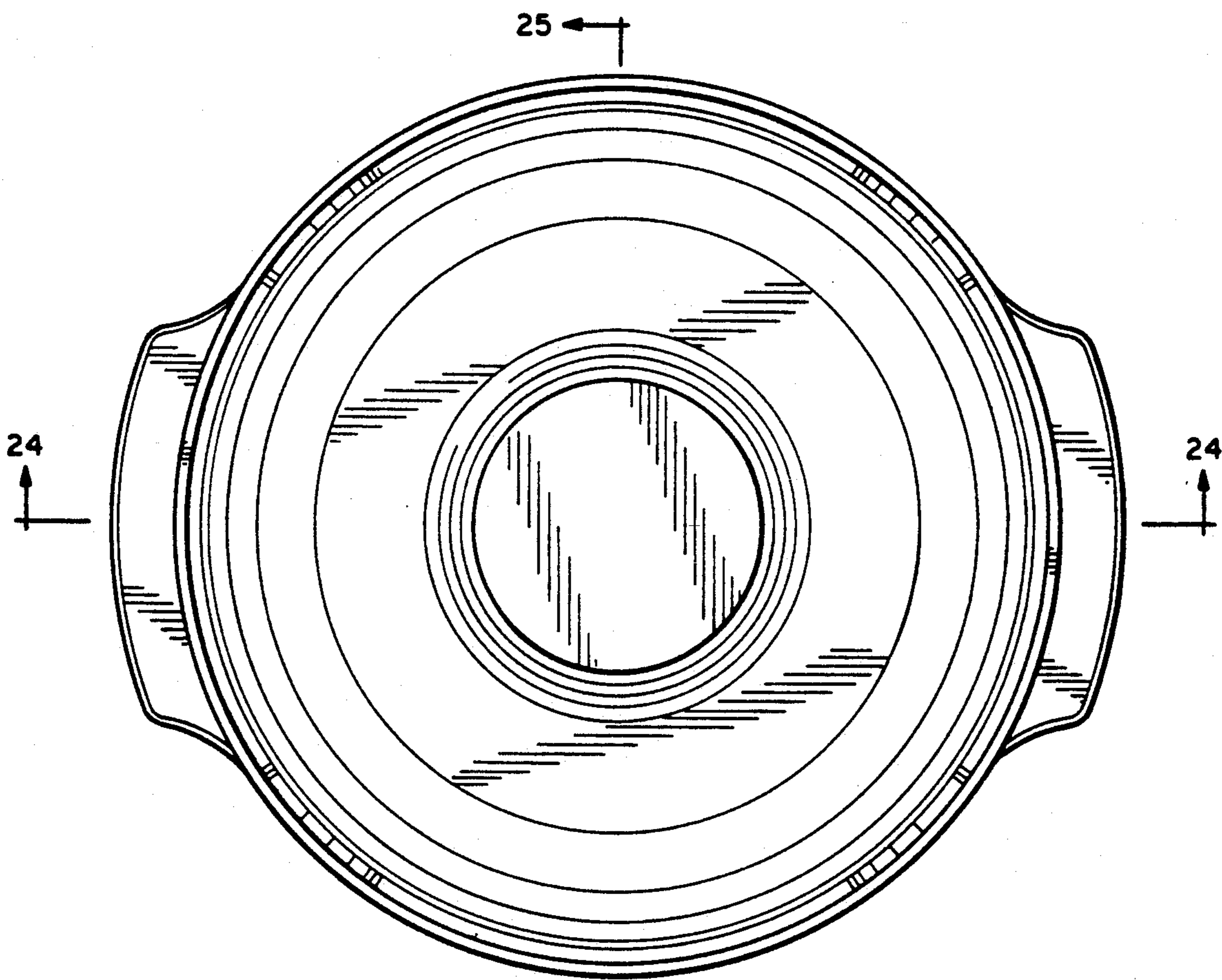


FIG. 20

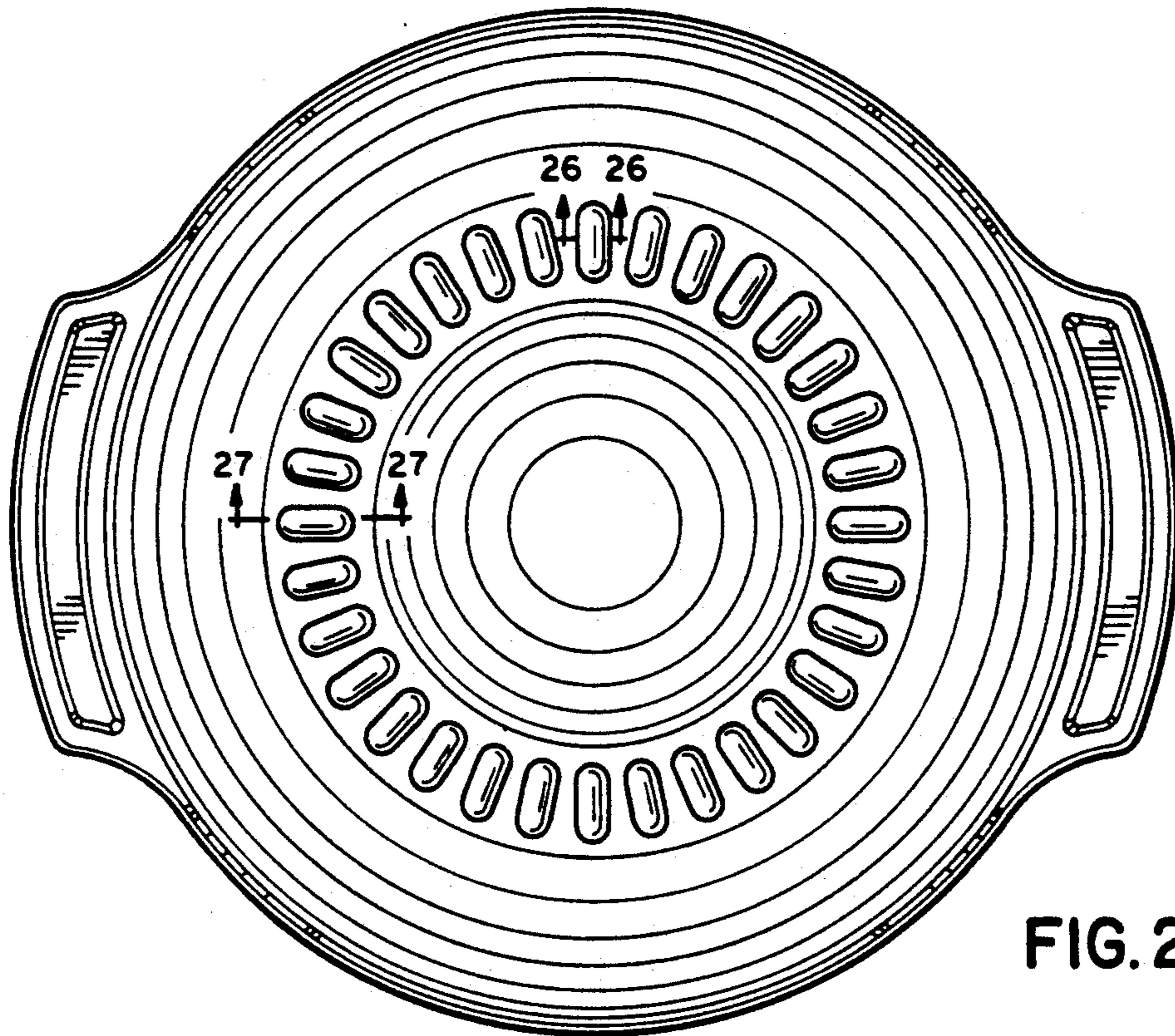


FIG. 21

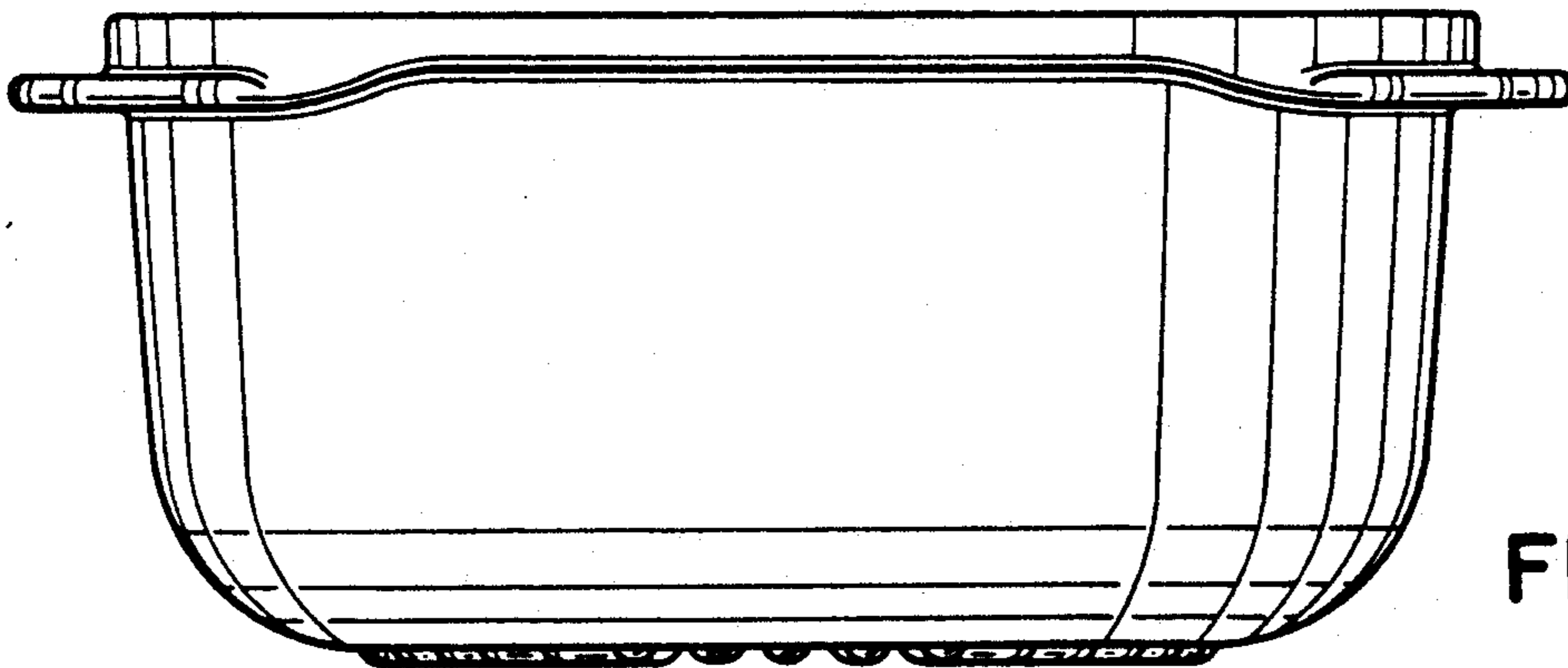


FIG. 22

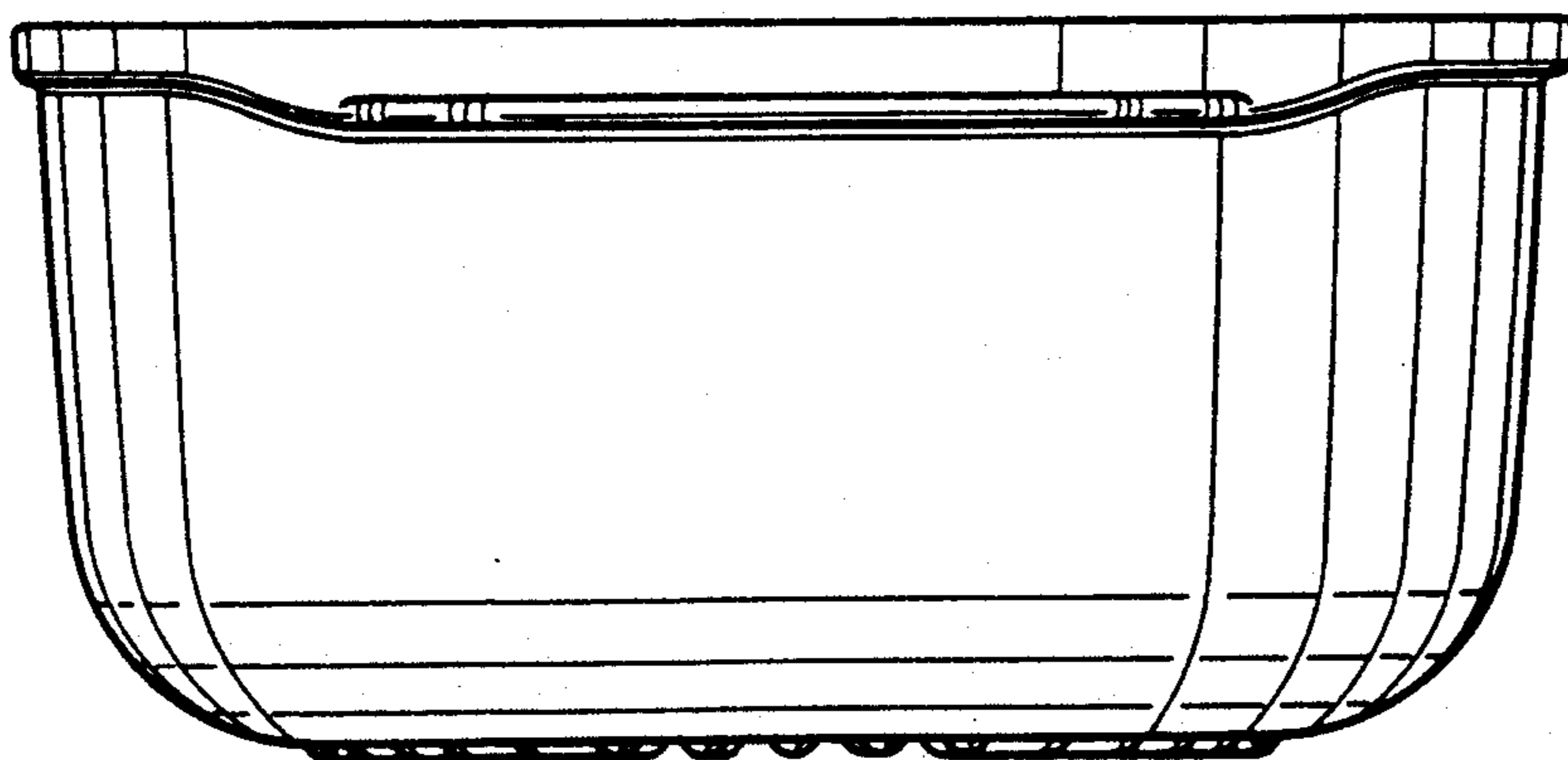


FIG. 23

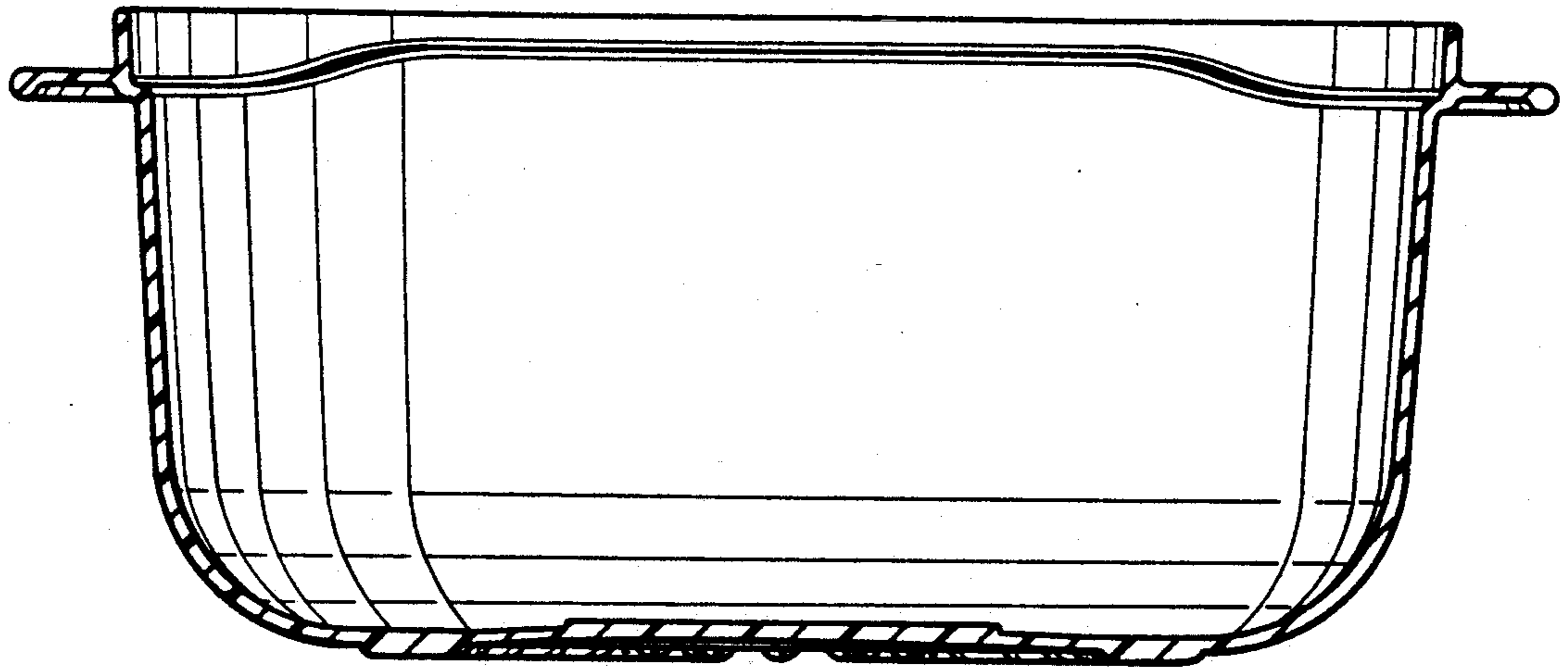


FIG. 24

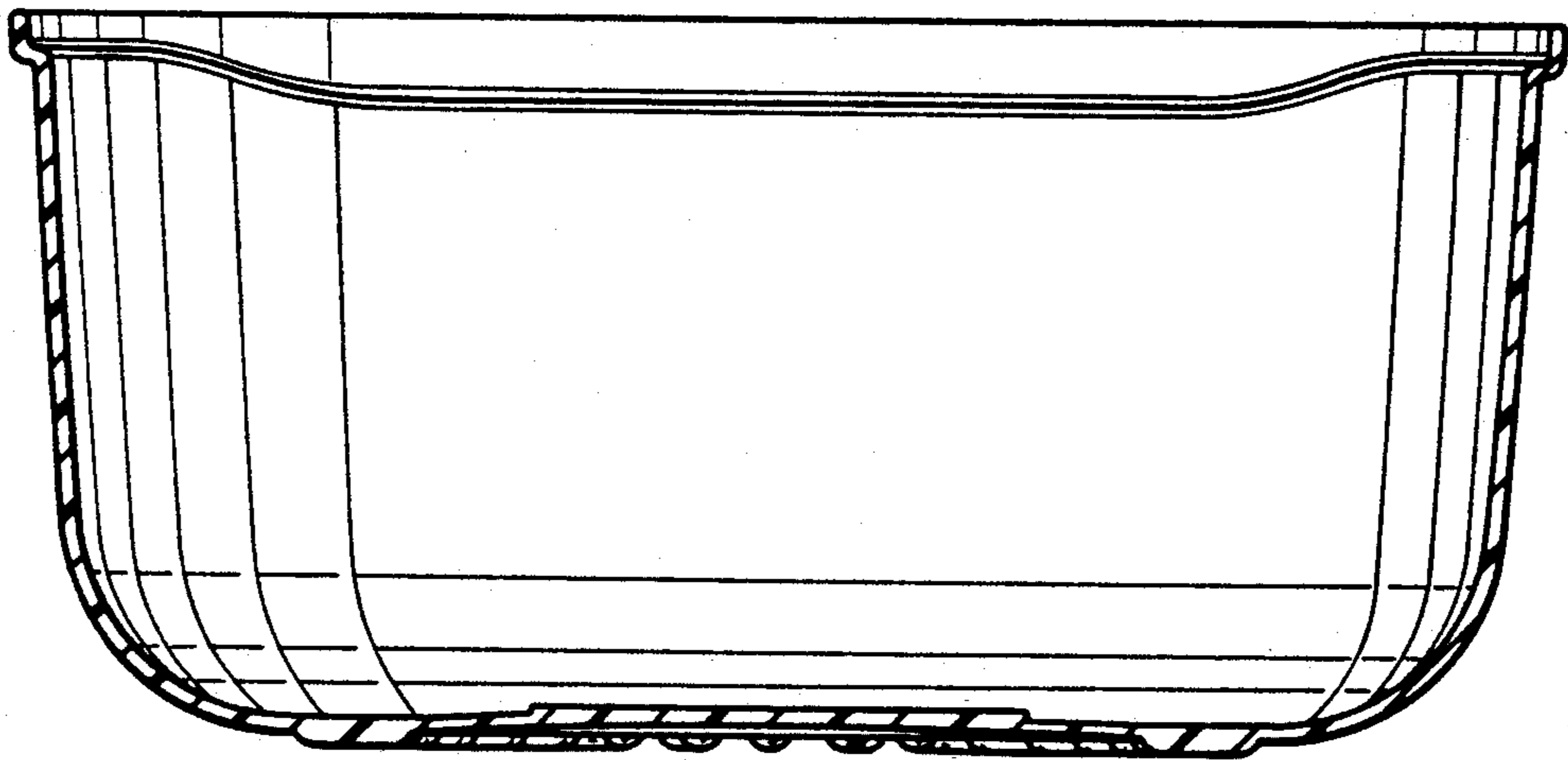


FIG. 25

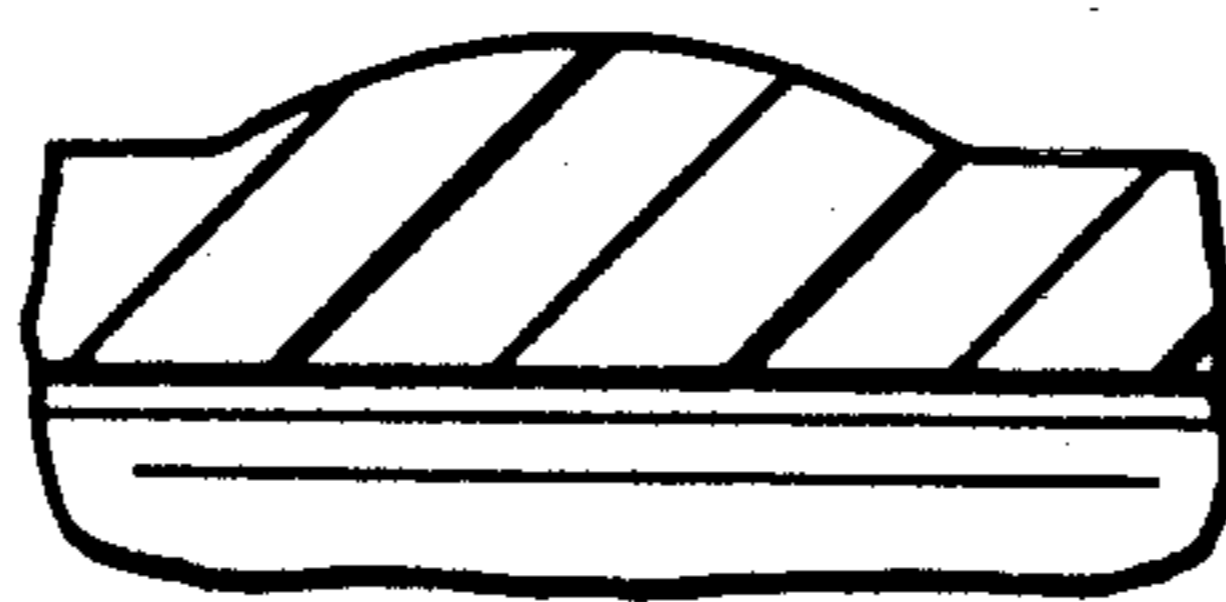


FIG. 26

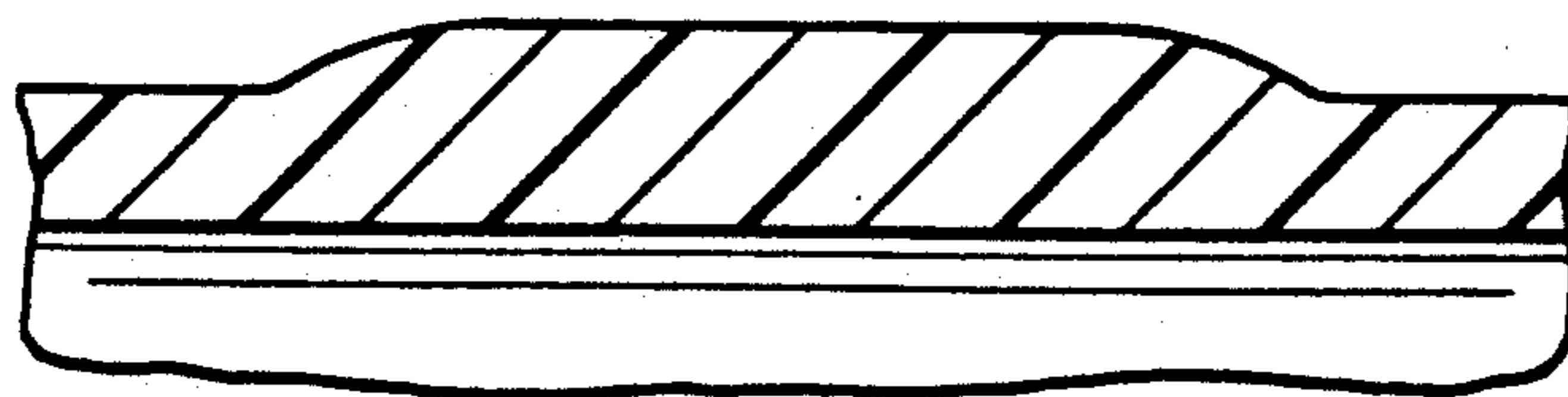


FIG. 27