



US00D338805S

United States Patent [19]

[11] Patent Number: **Des. 338,805**

Mackin et al.

[45] Date of Patent: **** Aug. 31, 1993**

[54] SAFETY RING TO PREVENT A POT FROM SLIDING OFF THE STOVE OF AN RV WHEN IT IS IN MOTION

[76] Inventors: **Mary E. Mackin**, P.O. Box 998, Millinocket, Me. 04462; **John E. Mackin, Sr.**, 511 S. Green Way Dr., Fort Orange, Fla. 32137

[**] Term: **14 Years**

[21] Appl. No.: **631,039**

[22] Filed: **Dec. 20, 1990**

[52] U.S. Cl. **D7/402**

[58] Field of Search **D6/601, 602, 606, 607; D7/402**

[56] **References Cited**

U.S. PATENT DOCUMENTS

4,197,832 4/1980 Thomas et al. **D7/402**

OTHER PUBLICATIONS

Clip Art Cat. 1984, p. 6, club pattern (A), lower left side of page.

UMPCO, Inc. Cat., p. 2, clamp A, middle top of page.

Primary Examiner—Wallace R. Burke
Assistant Examiner—Lisa Lichtenstein
Attorney, Agent, or Firm—Leon Gilden

[57] **CLAIM**

The ornamental design for a safety ring to prevent a pot from sliding off the stove of an RV when it is in motion, as shown and described.

DESCRIPTION

FIG. 1 is a front elevational view of a safety ring to prevent a pot from sliding off the stove of an RV when it is in motion showing our new design;

FIG. 2 is a rear elevational view thereof;

FIG. 3 is a left side elevational view thereof;

FIG. 4 is a right side elevational view thereof;

FIG. 5 is a top plan view thereof;

FIG. 6 is a bottom plan view thereof; and,

FIG. 7 is a top, front and left side perspective view thereof on a reduced scale.

The broken line showing of an RV stove, in FIG. 7, is for illustrative purposes only, and forms no part of the claimed design.

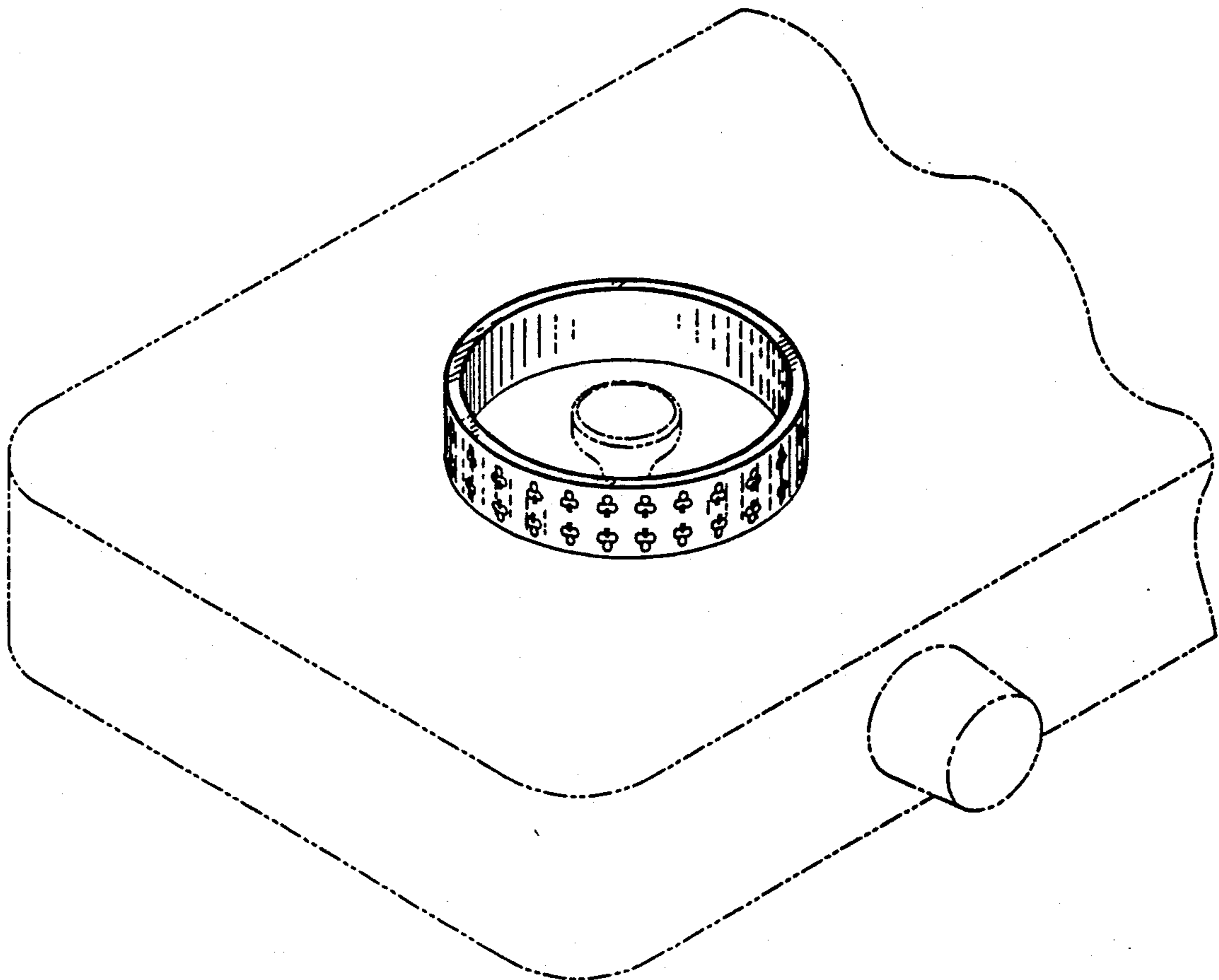


FIG. 7

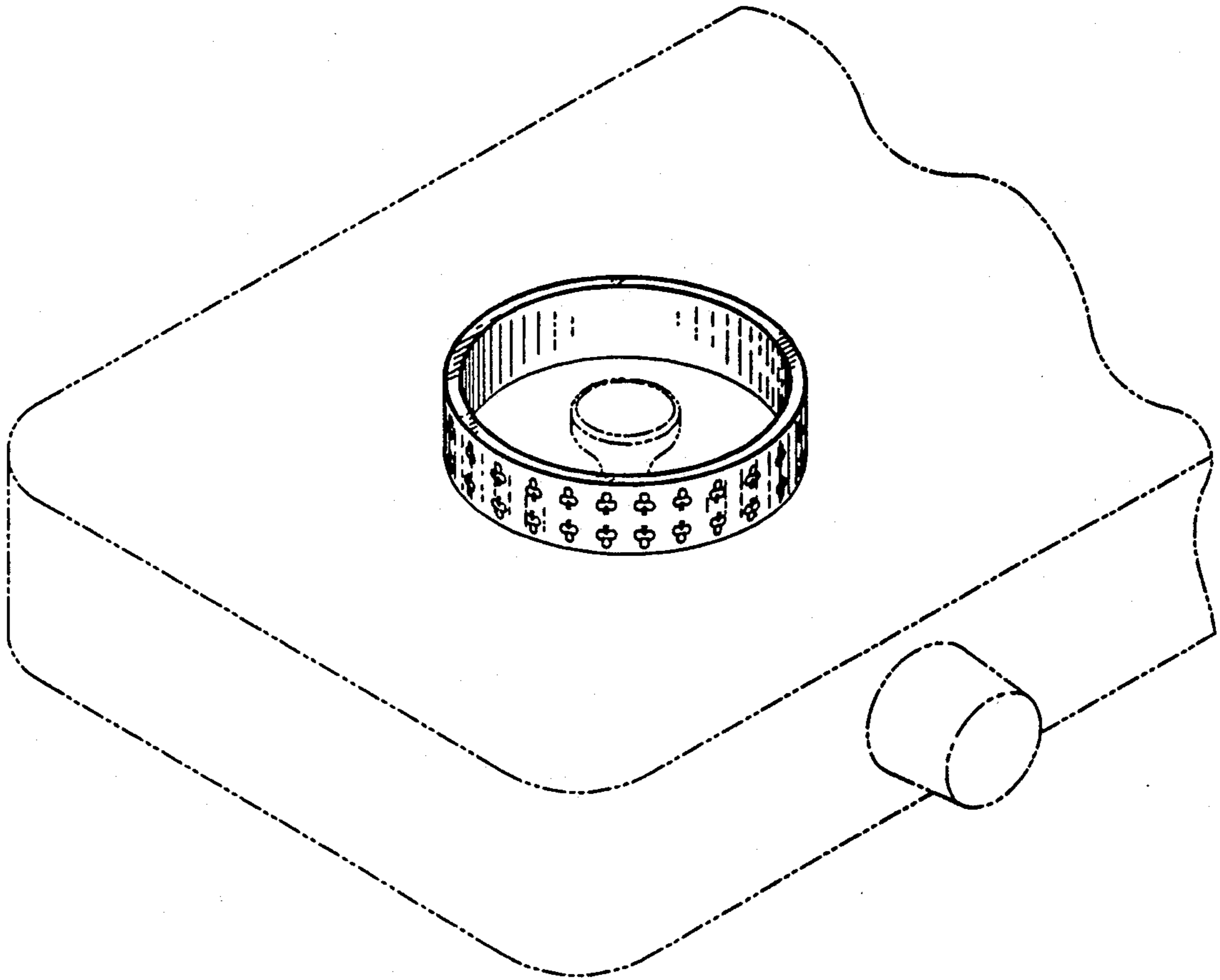


FIG. 3

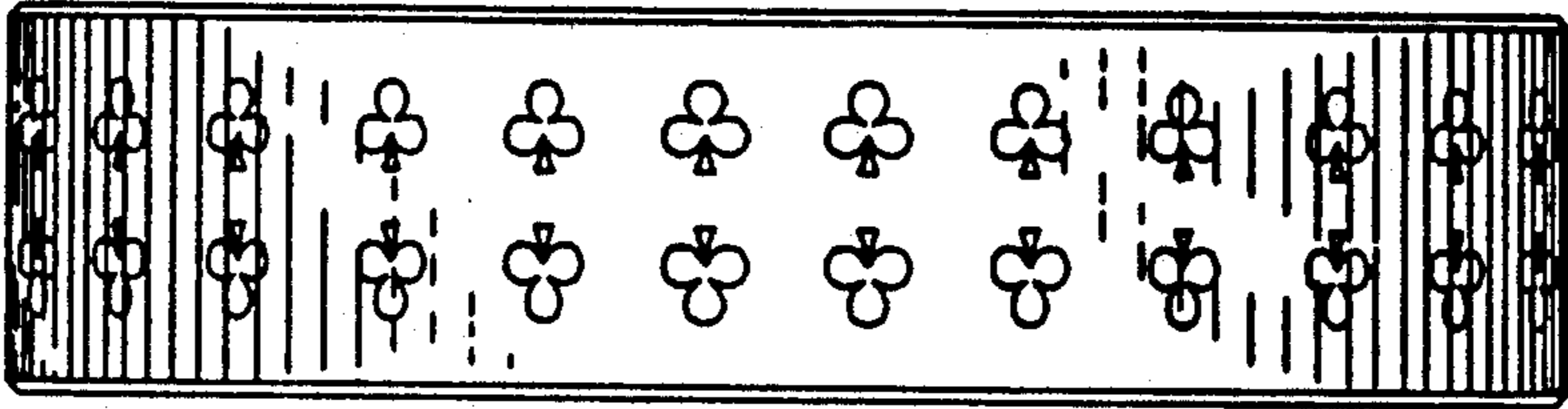


FIG. 4

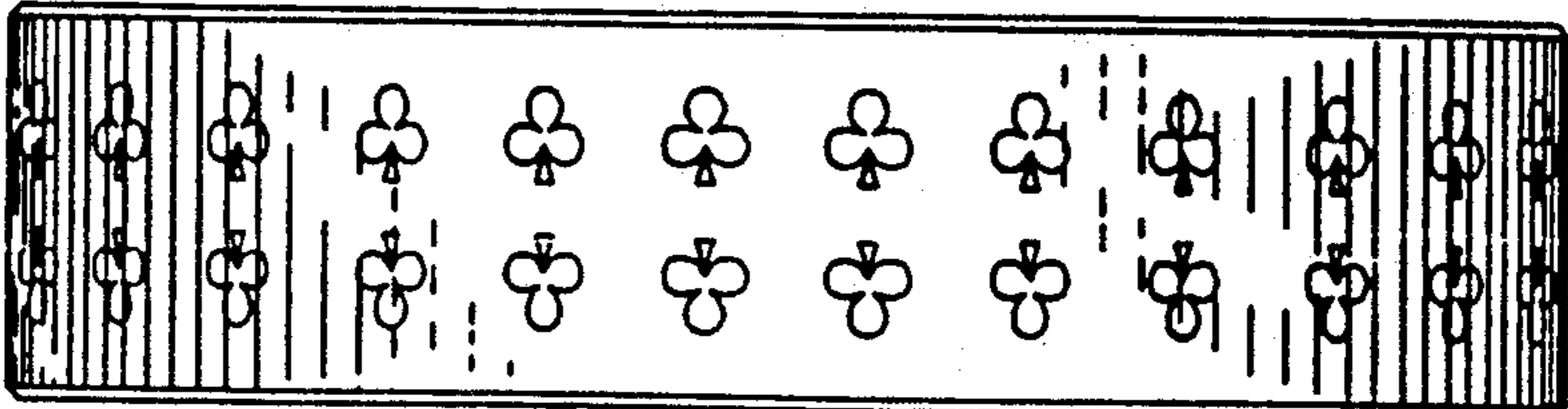


FIG. 5

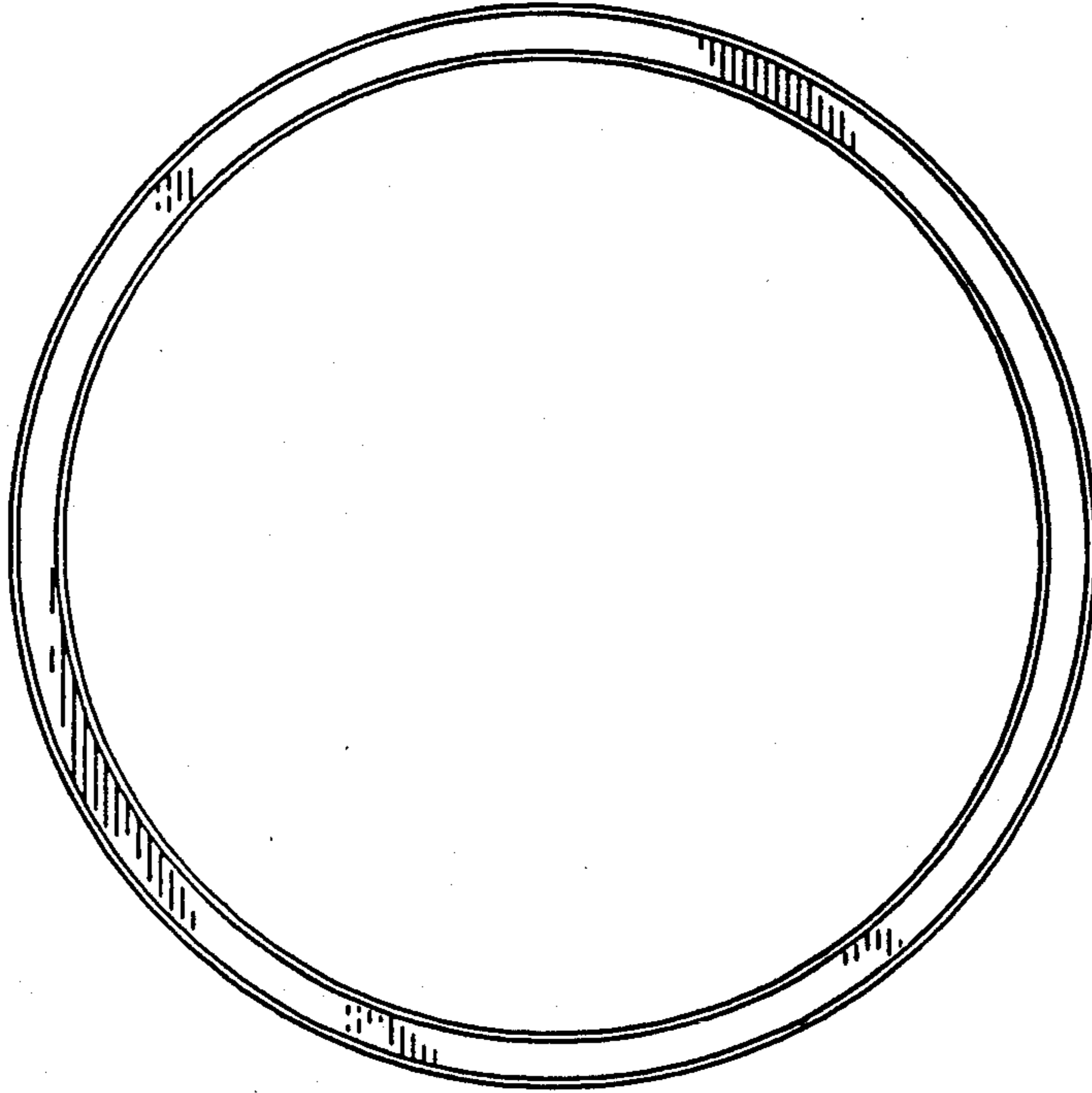


FIG. 6

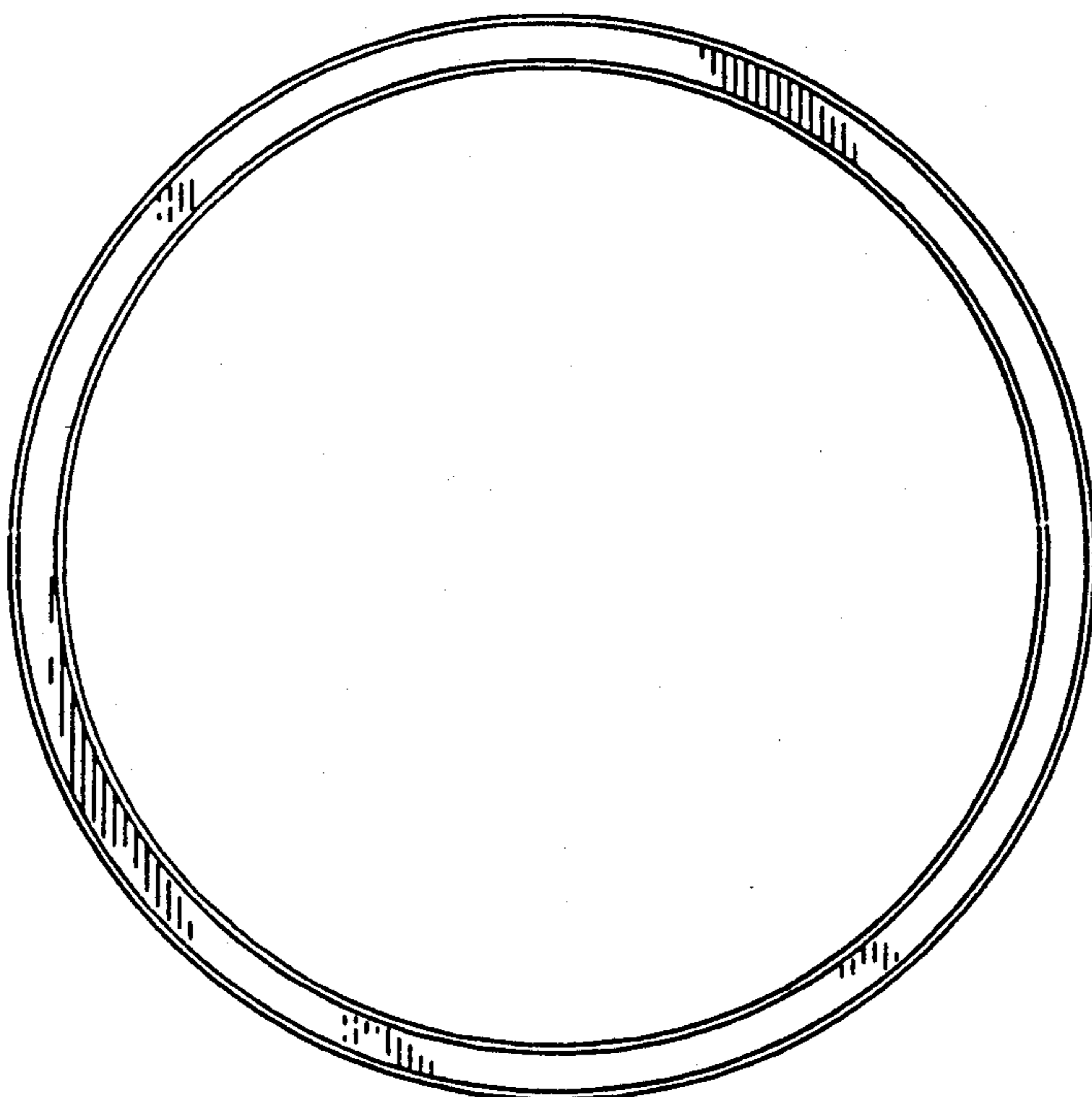
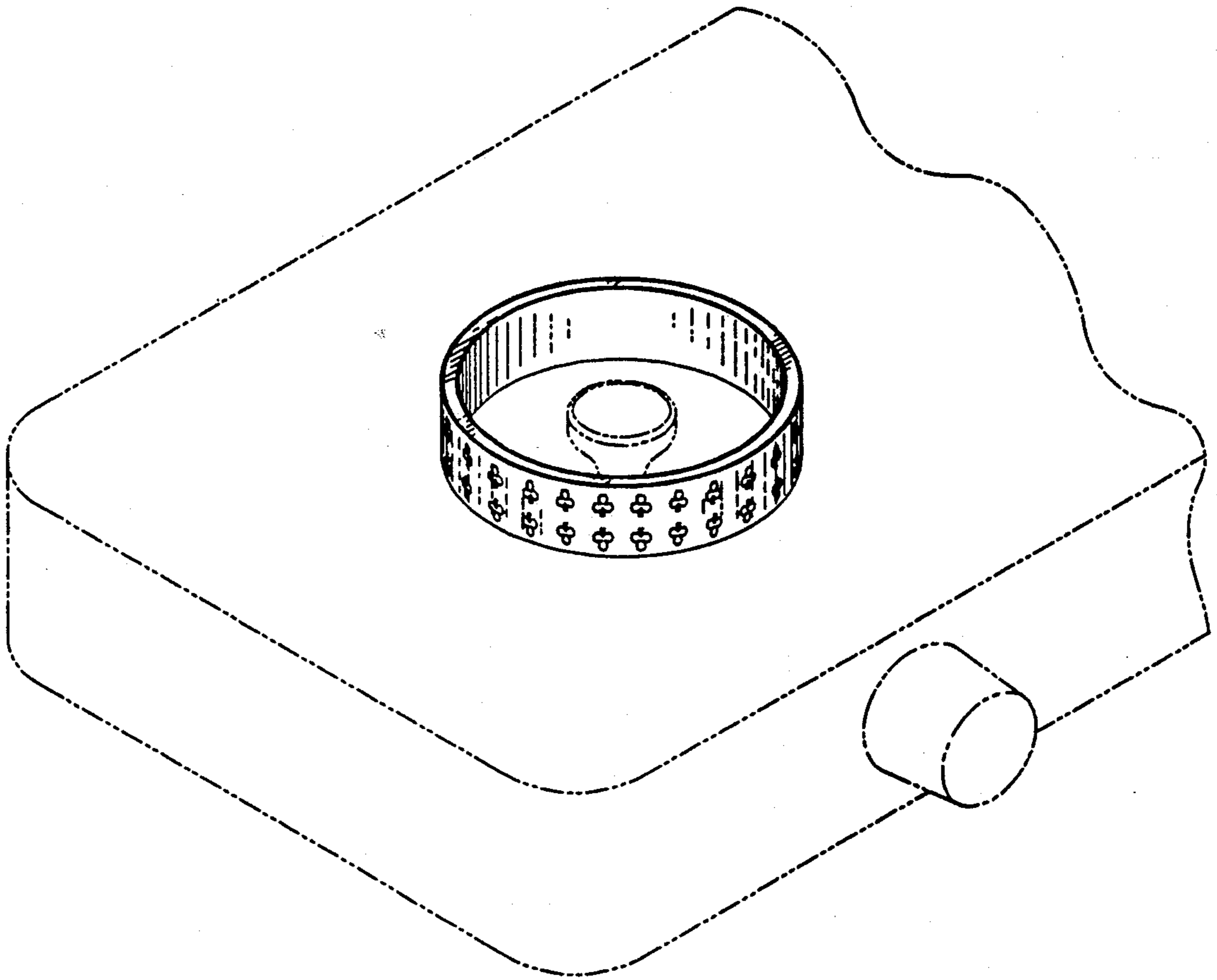


FIG. 7



UNITED STATES PATENT AND TRADEMARK OFFICE
CERTIFICATE OF CORRECTION

PATENT NO. : Des. 338,805
DATED : August 31, 1993
INVENTOR(S) : Mary E. Mackin, et al.

Page 1 of 2

It is certified that error appears in the above-identified patent and that said Letters Patent is hereby corrected as shown below:

IN THE DRAWINGS

On Drawing Sheet 1 of 4, delete FIG. 7, and substitute therefore FIGS. 1 and 2 as shown on the attached page.

Signed and Sealed this
Twenty-sixth Day of July, 1994



BRUCE LEHMAN

Attest:

Attesting Officer

Commissioner of Patents and Trademarks

FIG. 1

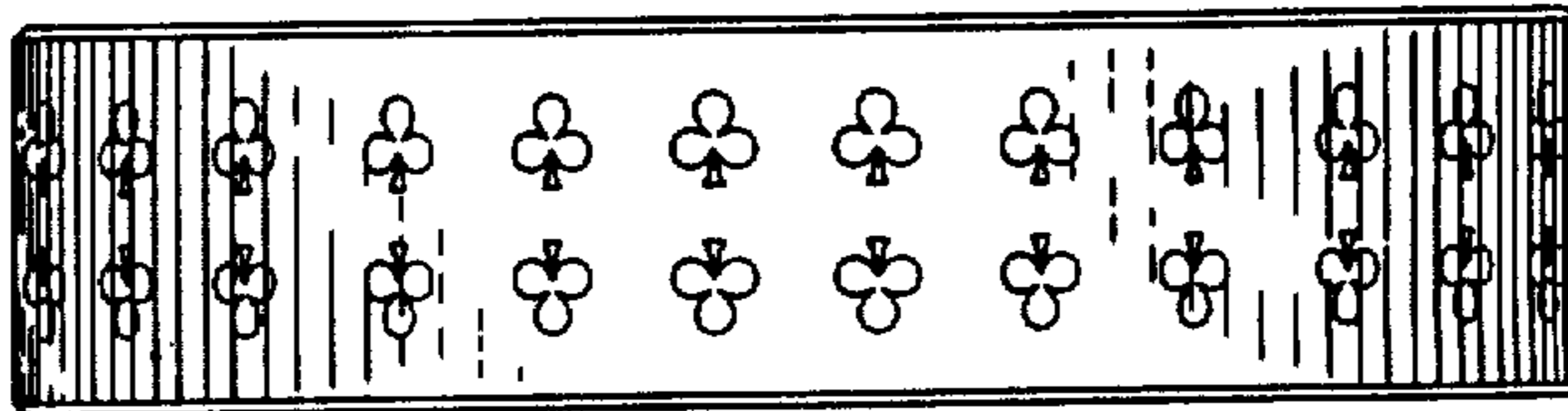


FIG. 2

