



US00D338803S

# United States Patent [19]

[11] Patent Number: **Des. 338,803**

Littmann

[45] Date of Patent: **\*\* Aug. 31, 1993**

[54] **FOOD PROCESSOR**

D. 293,873 1/1988 Maass ..... D7/384

[75] Inventor: **Ludwig Littmann**, Schwabach, Fed. Rep. of Germany

**FOREIGN PATENT DOCUMENTS**

[73] Assignee: **Braun Aktiengesellschaft**, Frankfurt, Fed. Rep. of Germany

736031 2/1962 Fed. Rep. of Germany .  
73MR8919 9/1980 Fed. Rep. of Germany .  
73MR9659 2/1988 Fed. Rep. of Germany .  
DM/004338 10/1984 Int'l Pat. Institute .  
DM/007213 7/1986 Int'l Pat. Institute .  
122800 1/1983 Switzerland .

[\*\*] Term: **14 Years**

[21] Appl. No.: **776,746**

**OTHER PUBLICATIONS**

[22] Filed: **Oct. 15, 1991**

Best Catalog; p. 257; 1983/84; #6 Farberware Food Processor; top right of page.

[30] **Foreign Application Priority Data**

Apr. 23, 1991 [DE] Fed. Rep. of Germany ..... M9102926.0

*Primary Examiner*—Alan P. Douglas  
*Assistant Examiner*—Caron D. Veynar  
*Attorney, Agent, or Firm*—Fish & Richardson

[52] U.S. Cl. .... **D7/384; D7/376**

[58] Field of Search ..... D7/376-379, D7/386, 412, 413, 415, 384; 241/37.5, 101.1, 199.12, 282.1, 282.2, 92, 93; 366/129, 130, 197, 199, 204, 205, 314

[57] **CLAIM**

The ornamental design for a food processor, as shown and described.

[56] **References Cited**

**DESCRIPTION**

**U.S. PATENT DOCUMENTS**

D. 191,152 8/1961 Rawson et al. .... D7/378  
D. 226,124 1/1973 Roberts ..... D7/379  
D. 254,950 5/1980 Besford ..... D7/379 X  
D. 279,858 7/1985 Janssens ..... D7/376 X  
D. 290,676 7/1987 Stutzer et al. .... D7/384  
D. 293,195 12/1987 Kim ..... D7/384

FIG. 1 is a perspective front elevational view;  
FIG. 2 is a front view thereof;  
FIG. 3 is a rear view thereof;  
FIG. 4 is a side view thereof;  
FIG. 5 is a side view thereof;  
FIG. 6 is a top plan view thereof; and,  
FIG. 7 is a bottom plan view thereof.

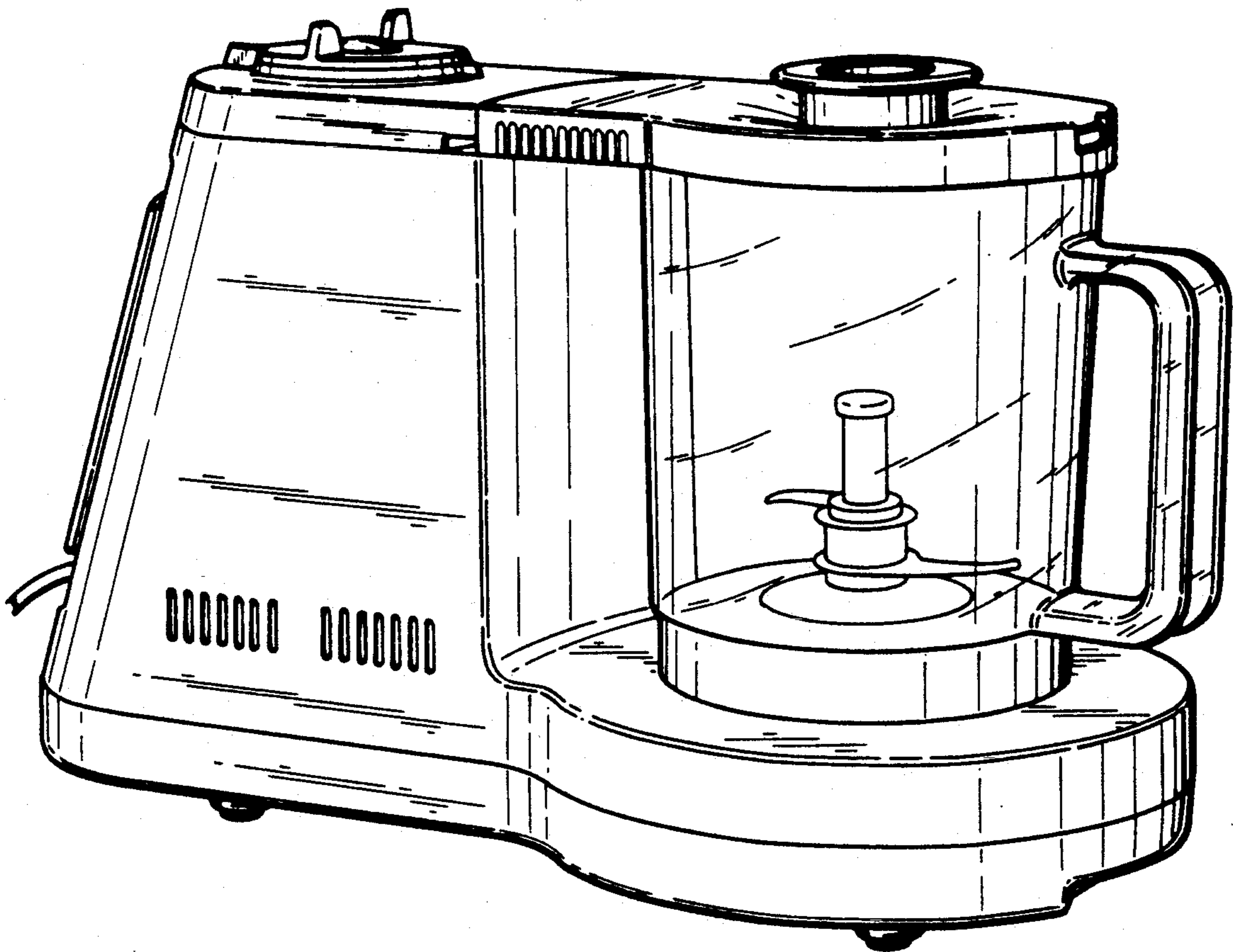


Fig. 1

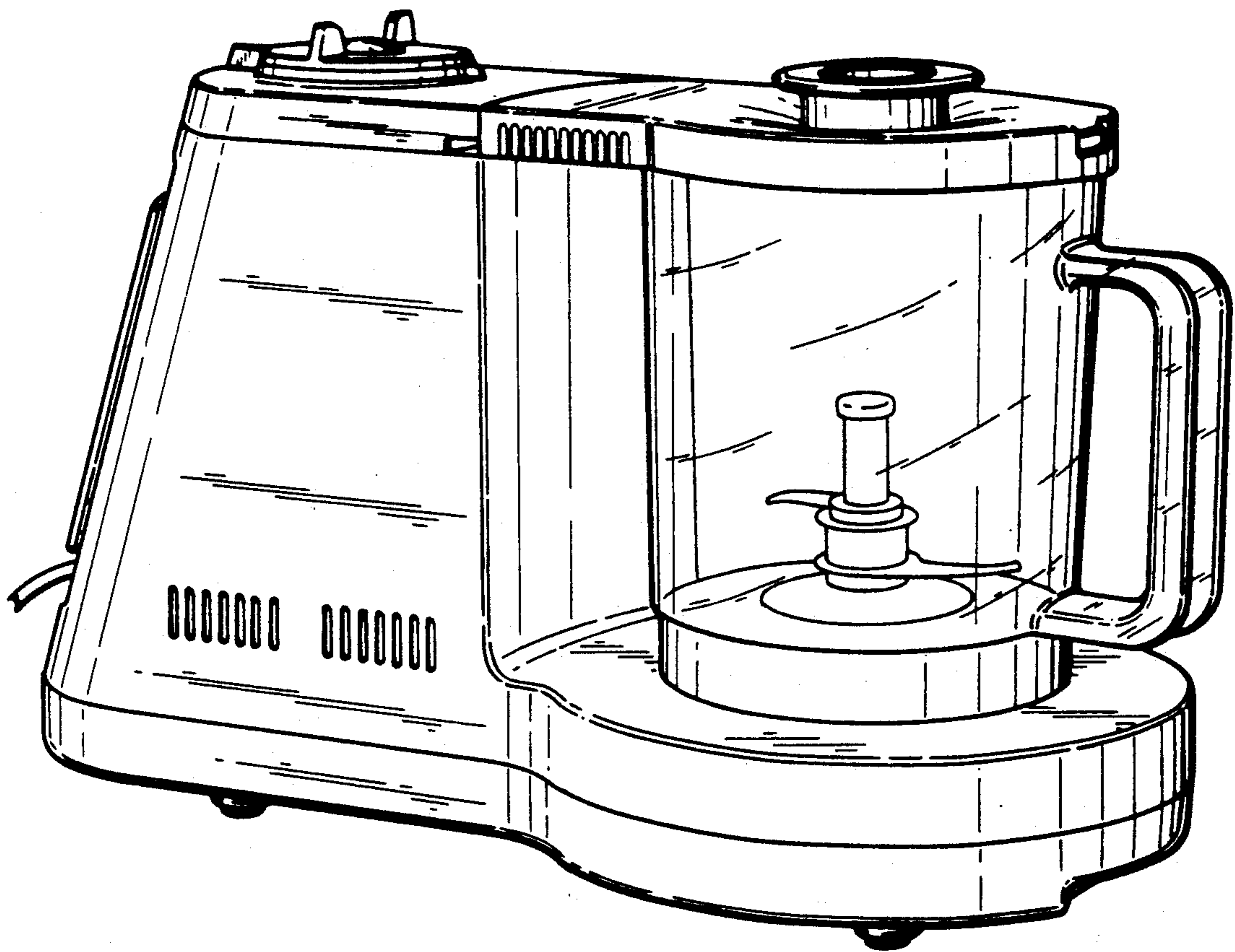


Fig. 2

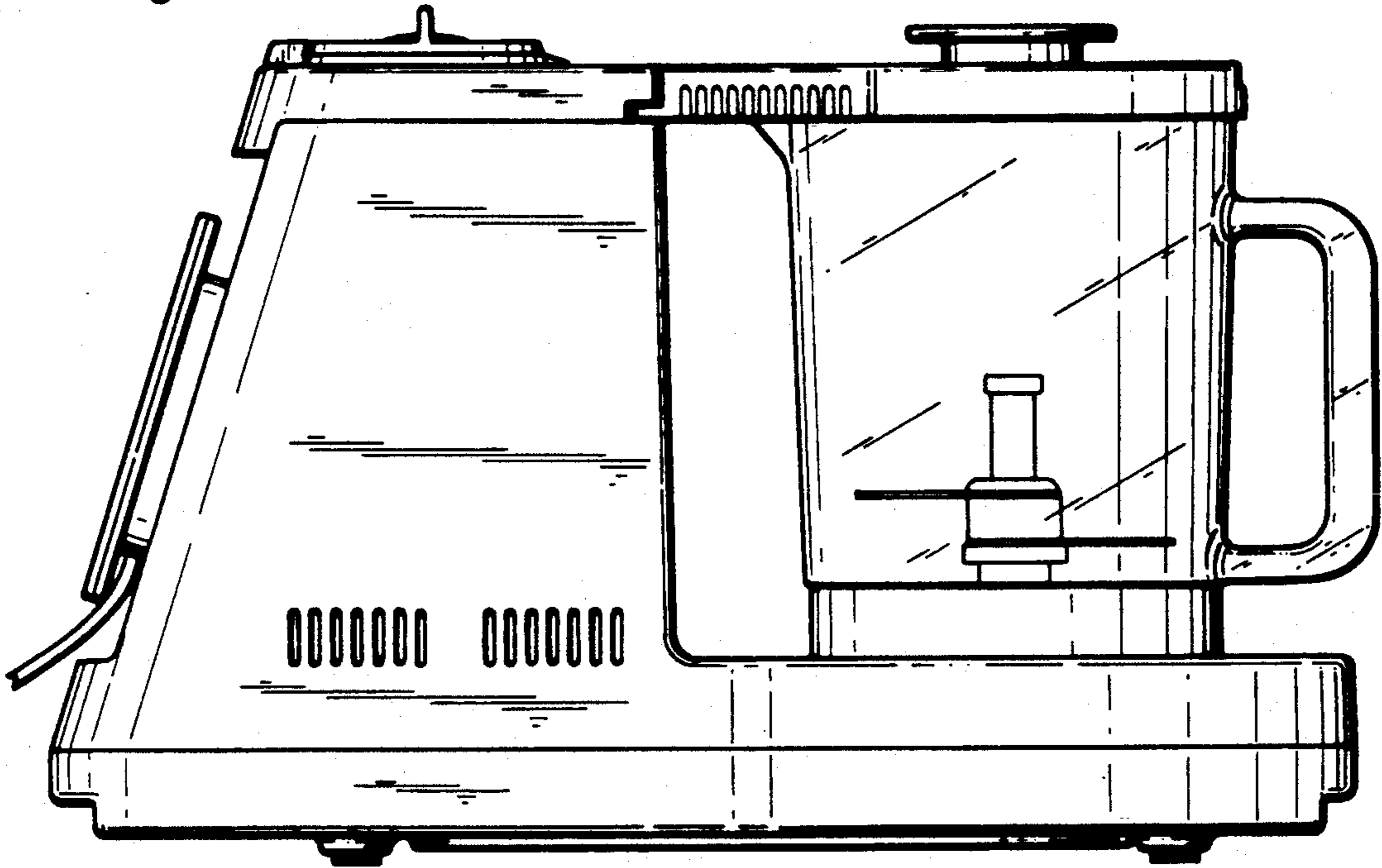


Fig. 3

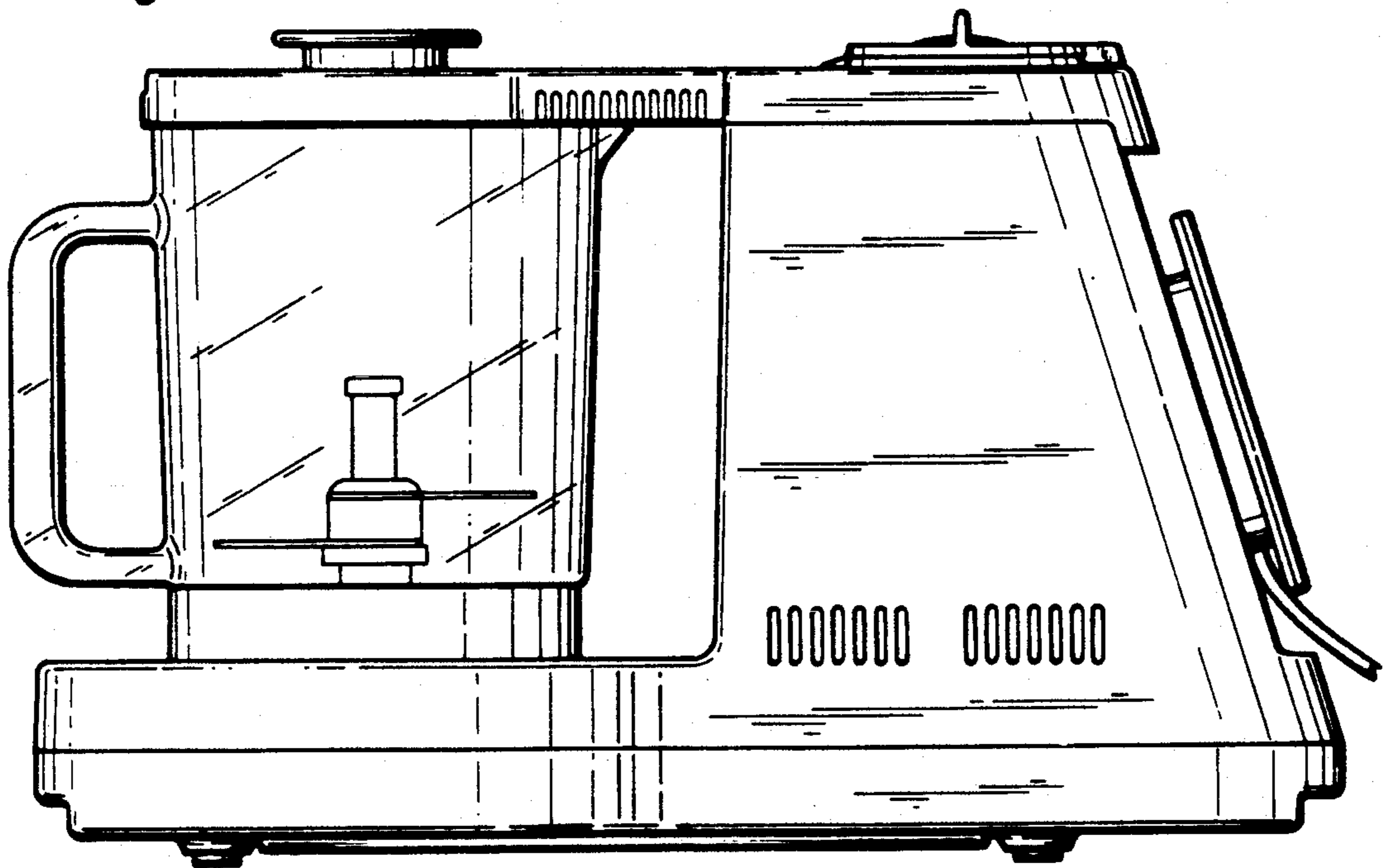


Fig. 5

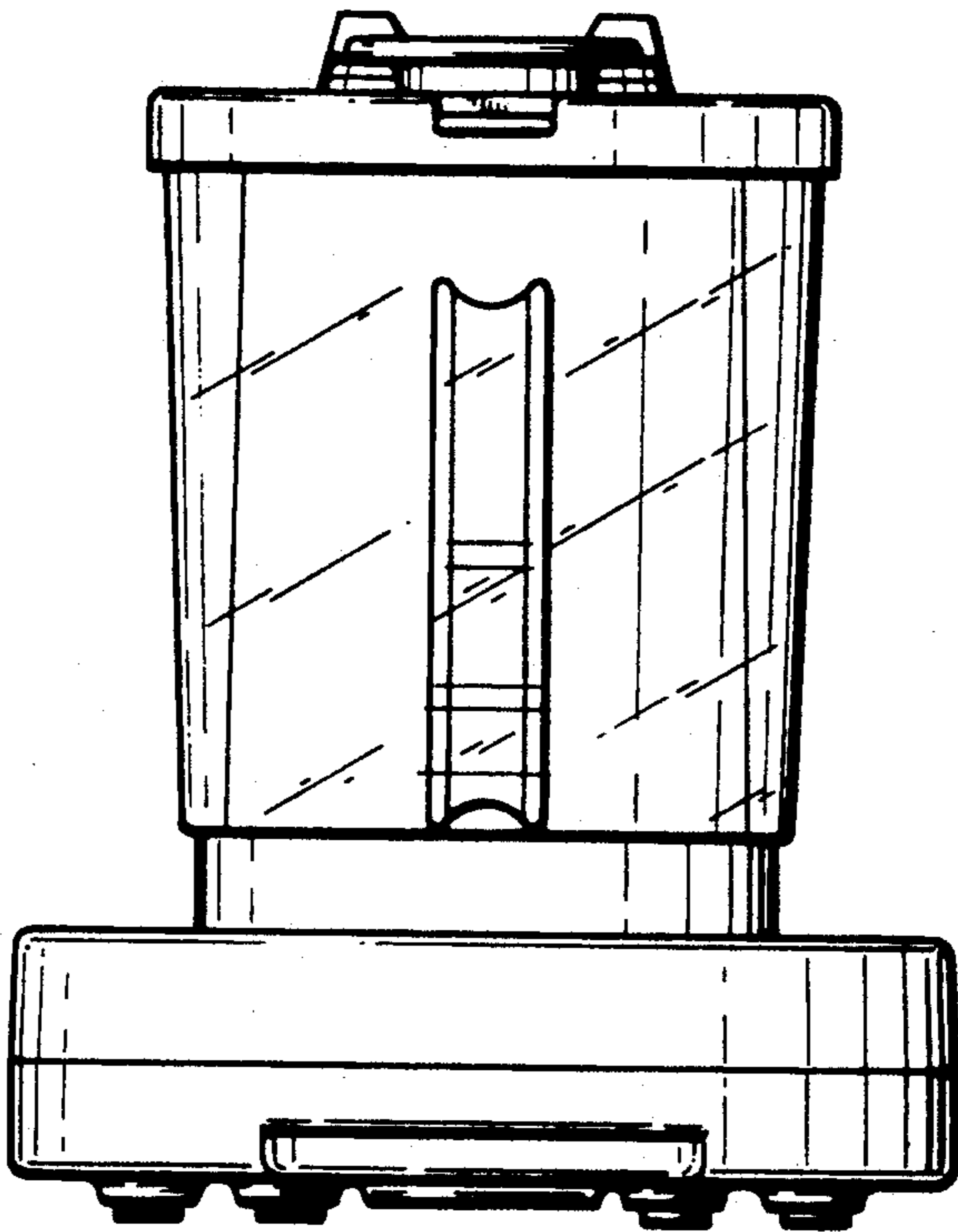


Fig. 4

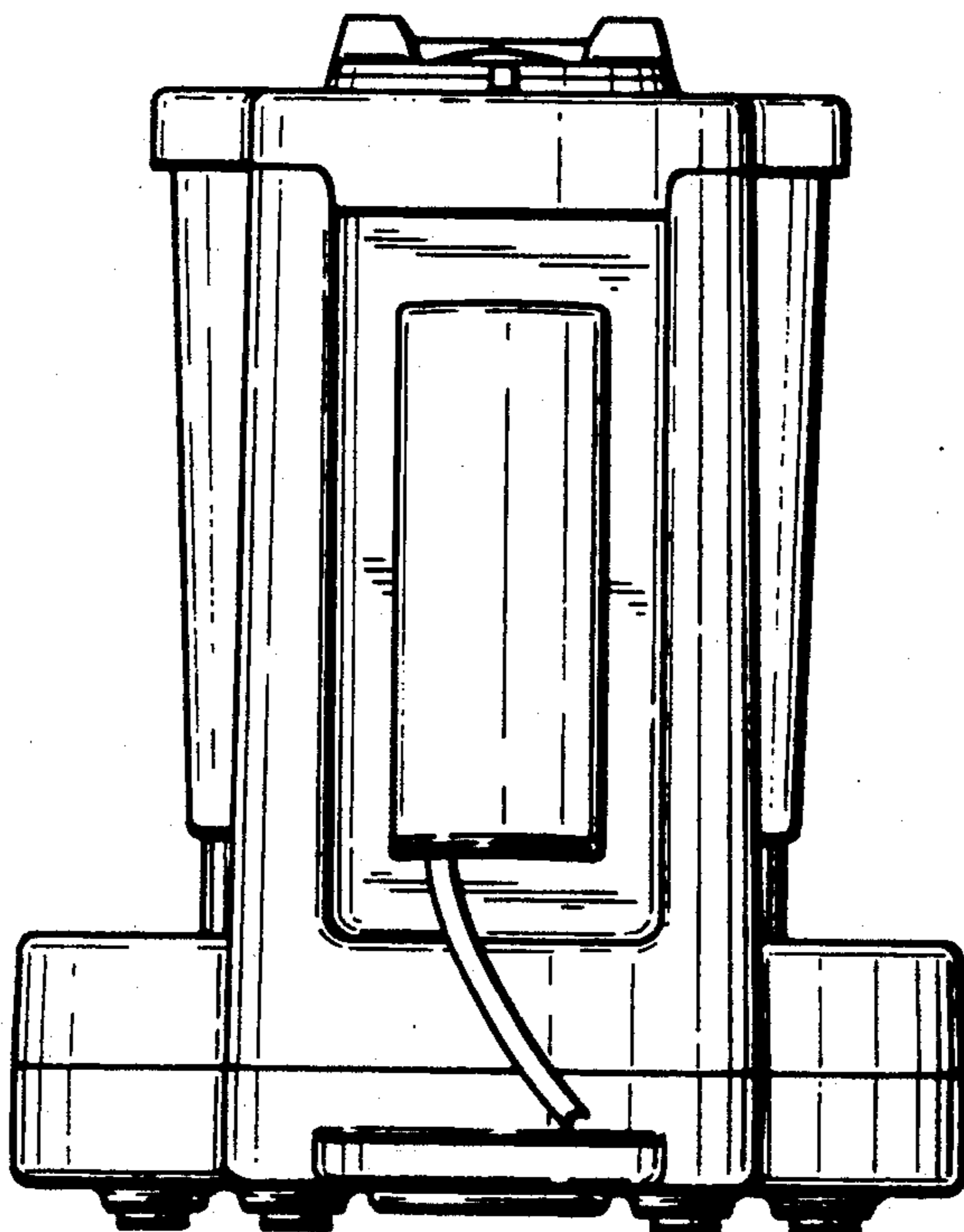




Fig. 6

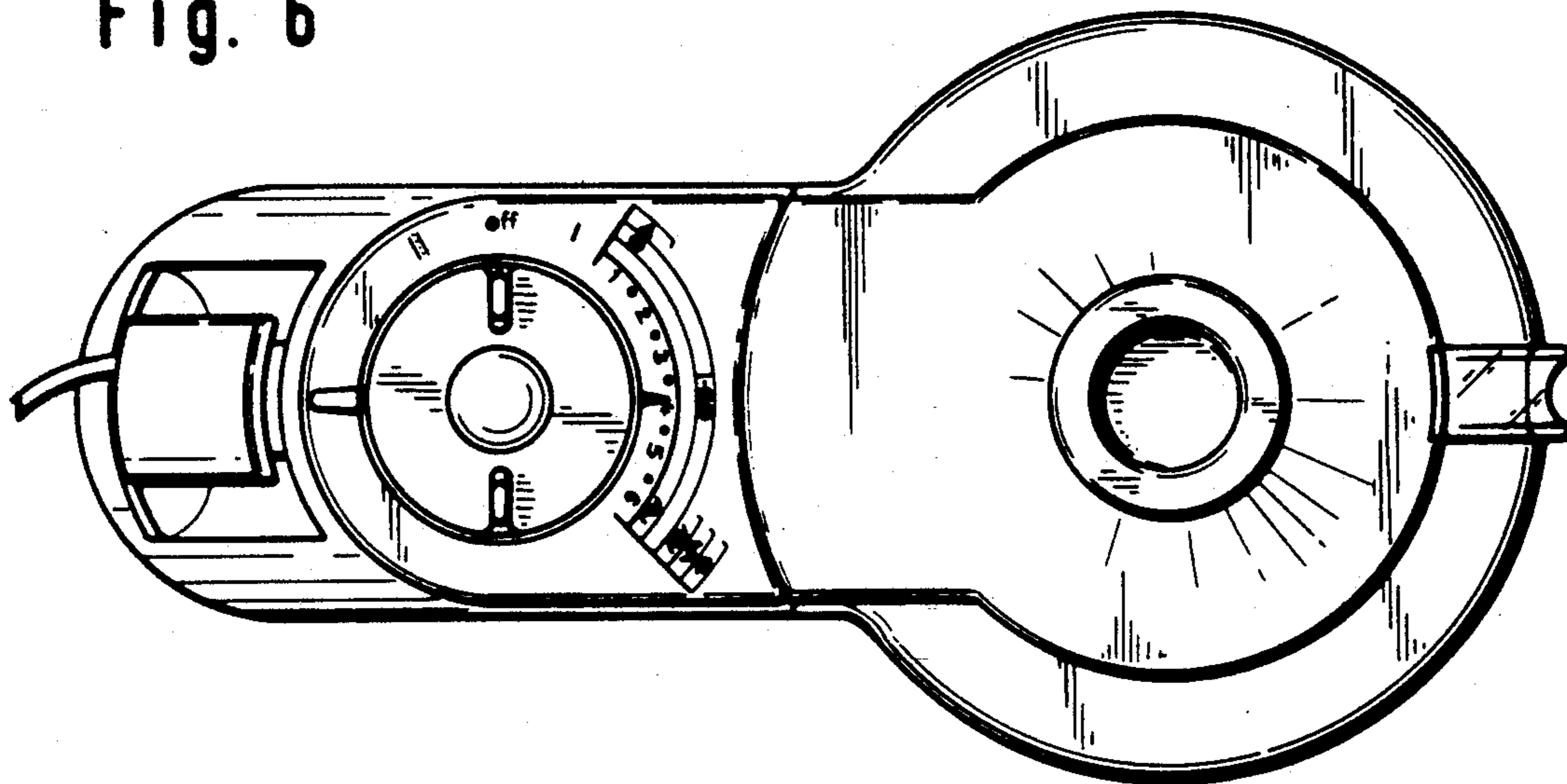


Fig. 7

