



US00D338802S

United States Patent [19]

[11] Patent Number: **Des. 338,802**

Maass

[45] Date of Patent: **** Aug. 31, 1993**

[54] PORTABLE MIXING IMPLEMENT

[75] Inventor: **Rudolf Maass**, Solingen, Fed. Rep. of Germany

[73] Assignee: **Robert Krups GmbH. & Co. KG**, Solingen, Fed. Rep. of Germany

[**] Term: **14 Years**

[21] Appl. No.: **687,433**

[22] Filed: **Apr. 18, 1991**

[52] U.S. Cl. **D7/379; D7/376**

[58] Field of Search **D7/376-384, D7/386, 368; D8/69; 366/129, 130, 197, 199, 204, 205, 314**

[56] References Cited

U.S. PATENT DOCUMENTS

D. 206,944	2/1967	Cabell	D7/379
D. 207,859	6/1967	Weiss	D7/379
D. 279,856	7/1985	Eikerbout	D7/376 X
D. 310,005	8/1990	Precht	D7/379
D. 315,080	3/1991	Naft	D7/379

OTHER PUBLICATIONS

Williams-Sonoma Catalog; Christmas 1984; p. 61; #E Model 4004 Krups Hand Mixer.

Williams-Sonoma Catalog; Fall 1985; p. 5; #G Krups Hand Mixer Model #4000.

Primary Examiner—Alan P. Douglas

Assistant Examiner—Caron D. Veynar

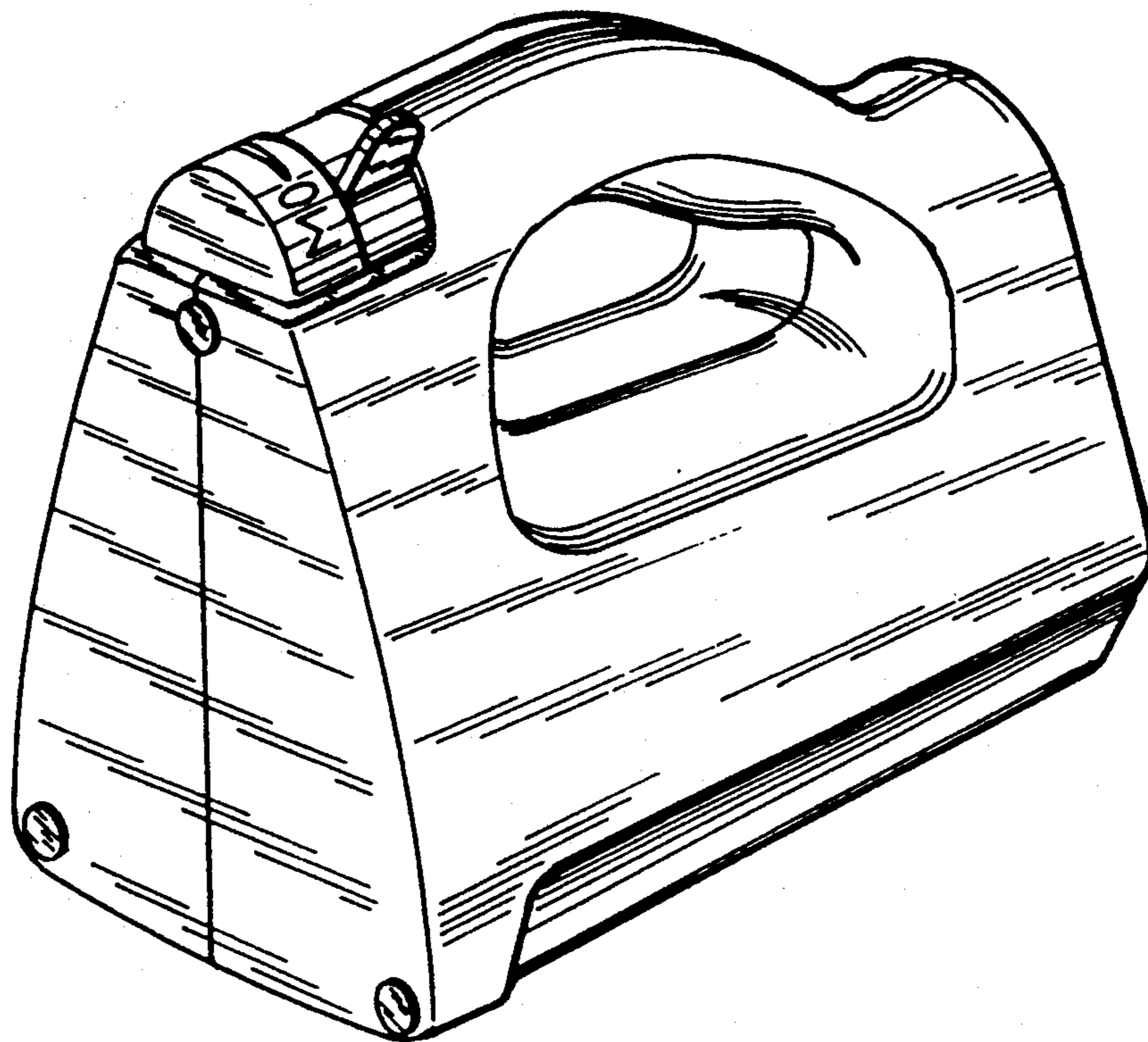
Attorney, Agent, or Firm—Peter K. Kontler

[57] CLAIM

The ornamental design for a portable mixing implement, as shown and described.

DESCRIPTION

FIG. 1 is a front and right-hand perspective view of a portable mixing implement showing my new design; FIG. 2 is a bottom plan view thereof; FIG. 3 is a right-hand side elevational view thereof; FIG. 4 is a left-hand side elevational view thereof; FIG. 5 is a top plan view thereof; FIG. 6 is a front elevational view thereof; and, FIG. 7 is a rear elevational view thereof.



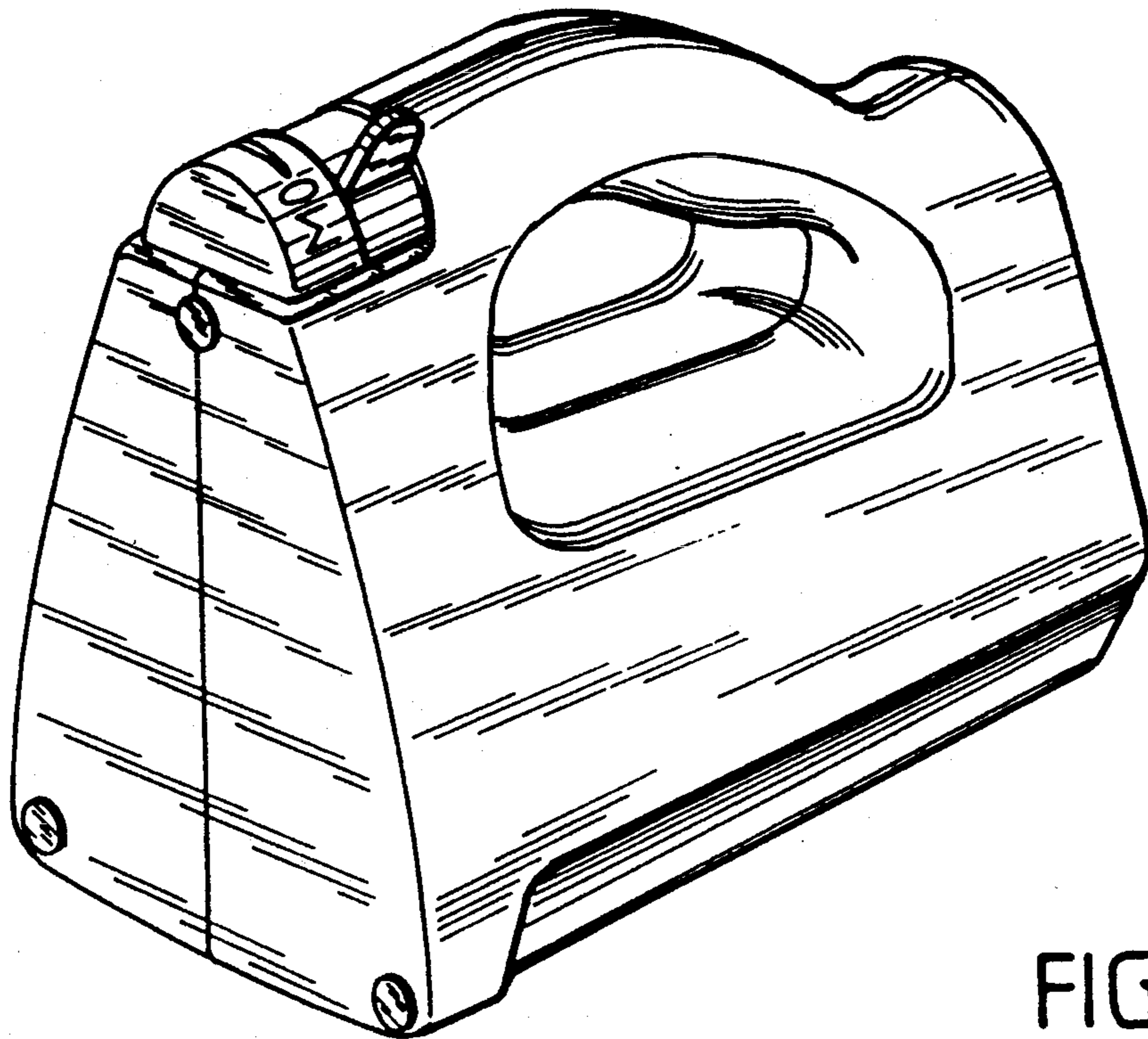


FIG. 1

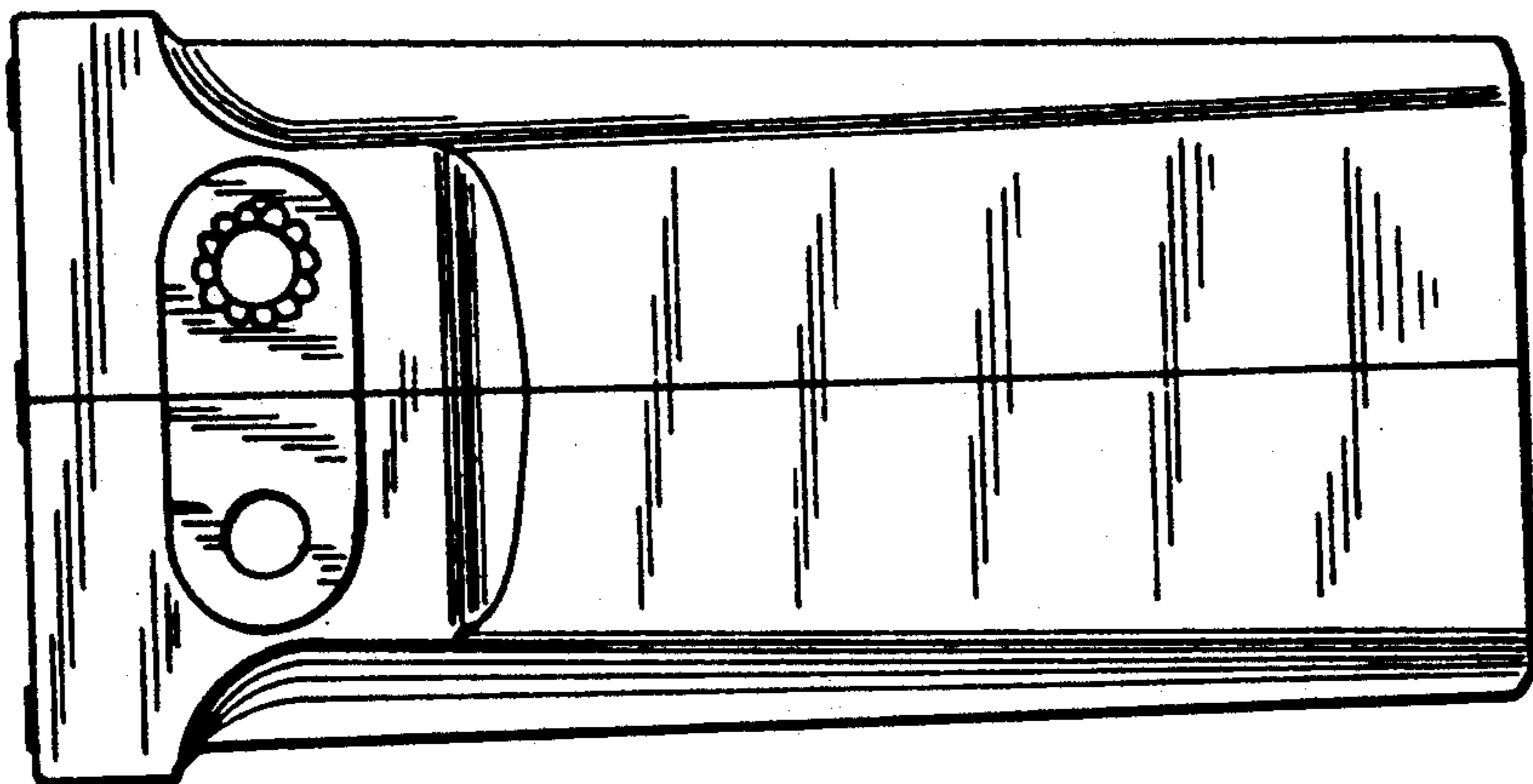


FIG. 2

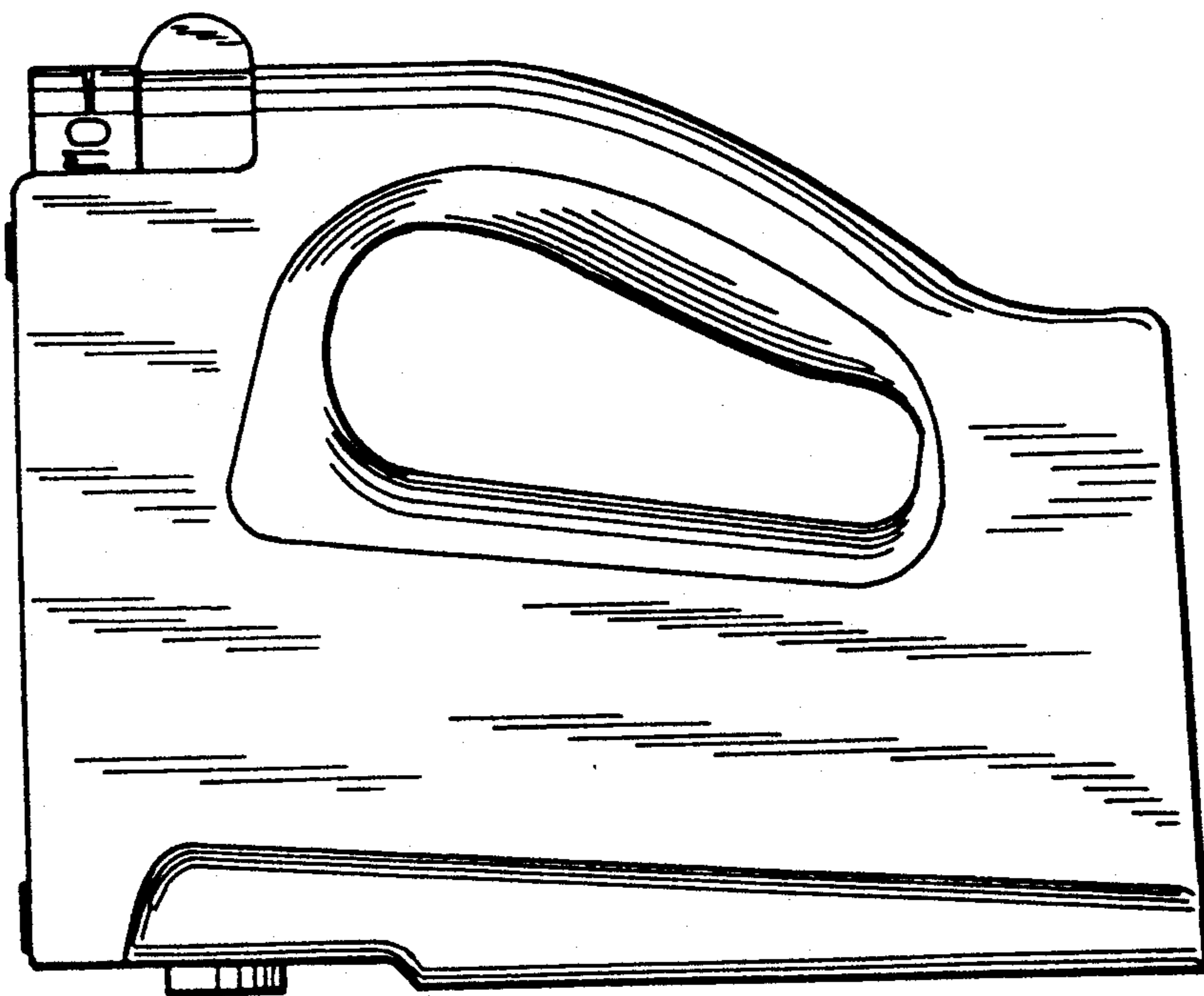


FIG. 3

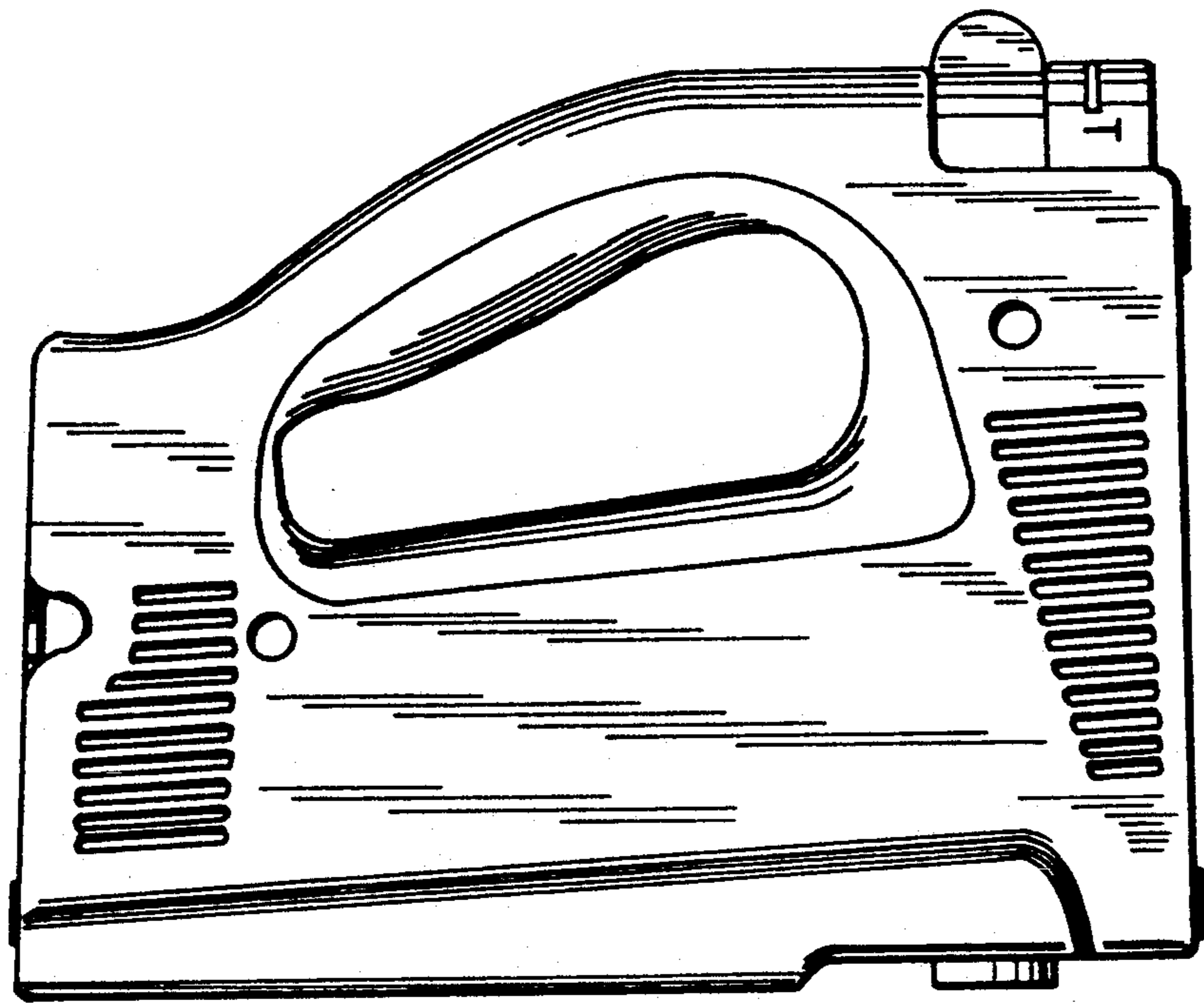


FIG. 4

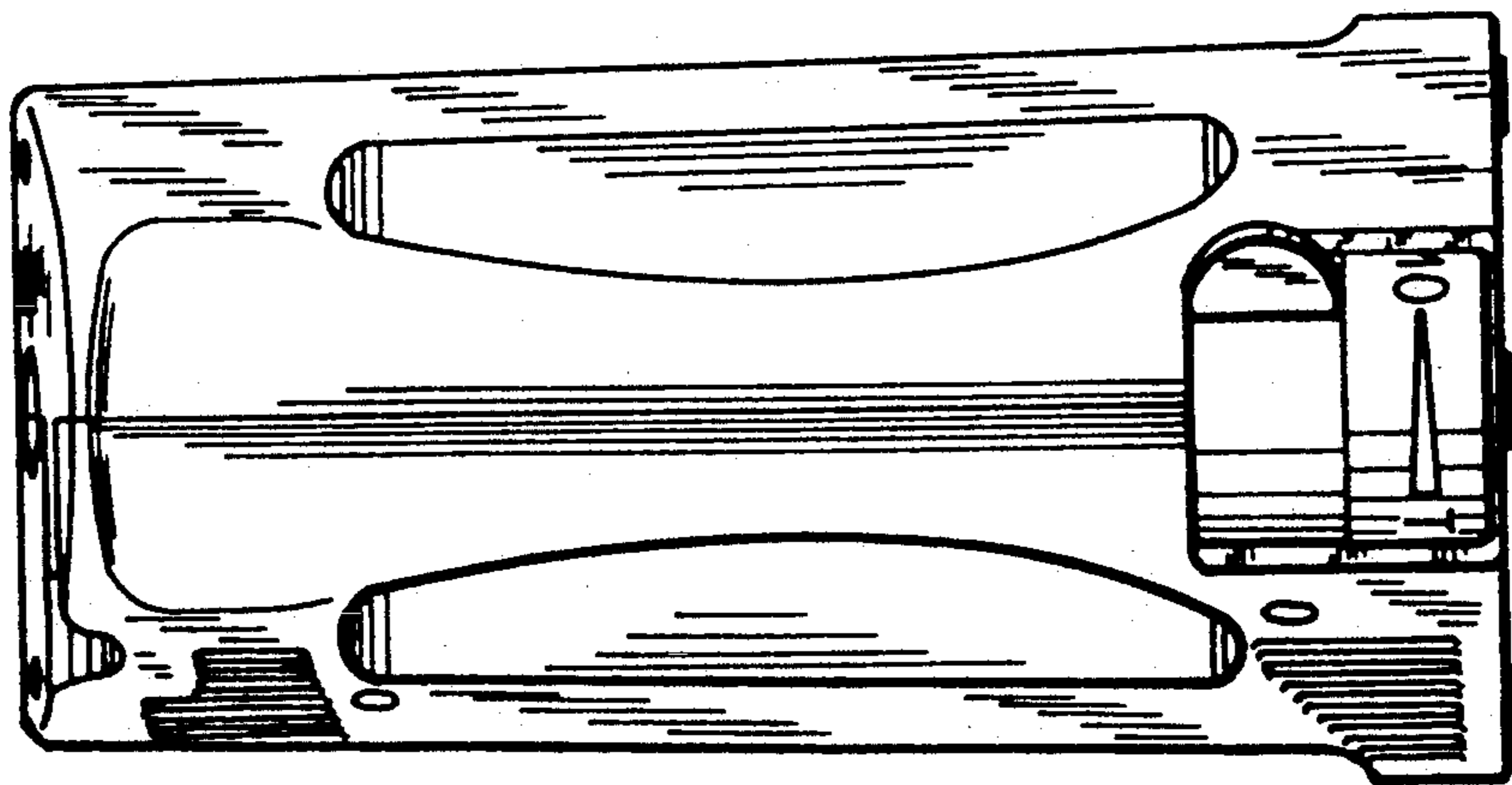


FIG. 5

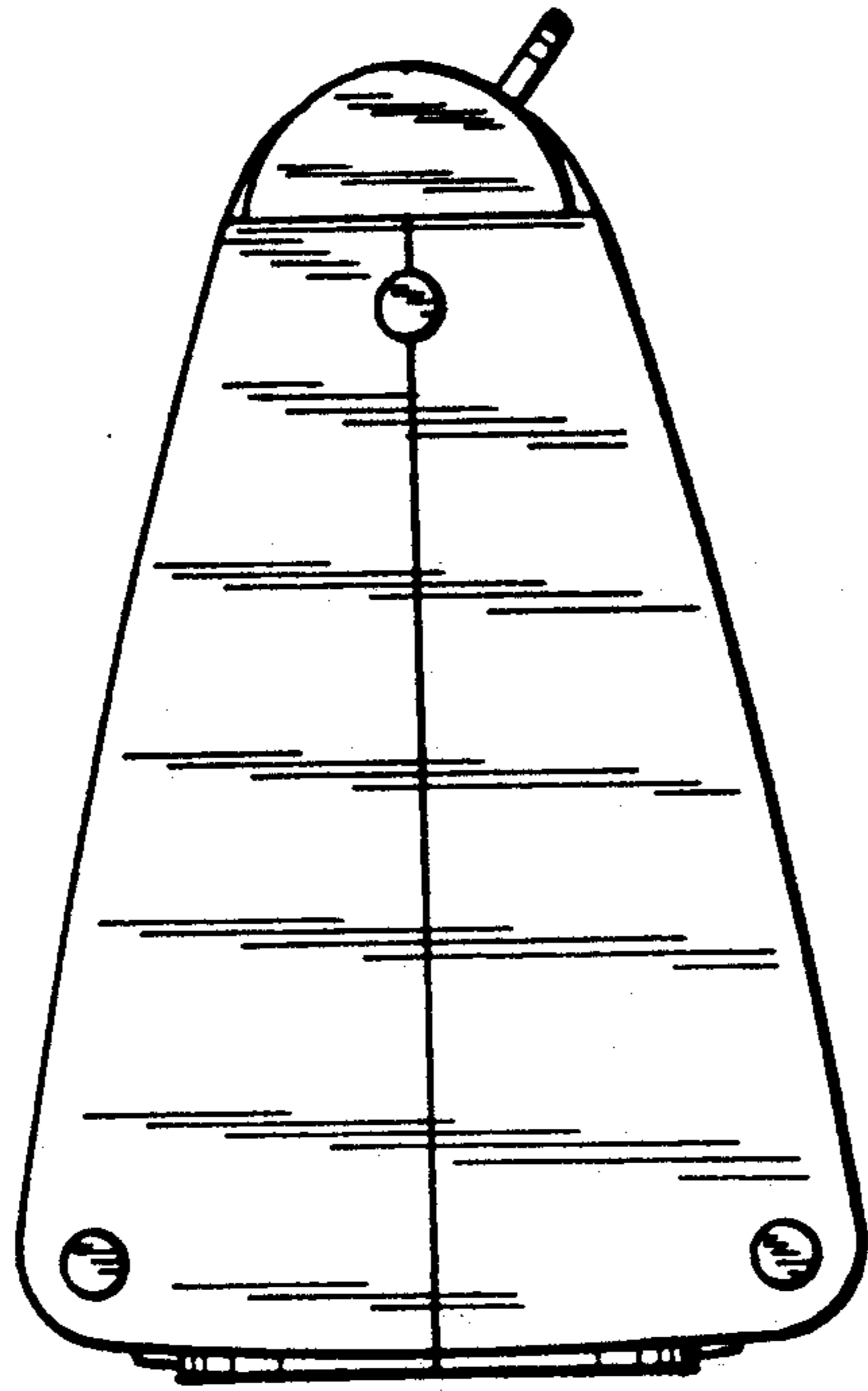


FIG. 6

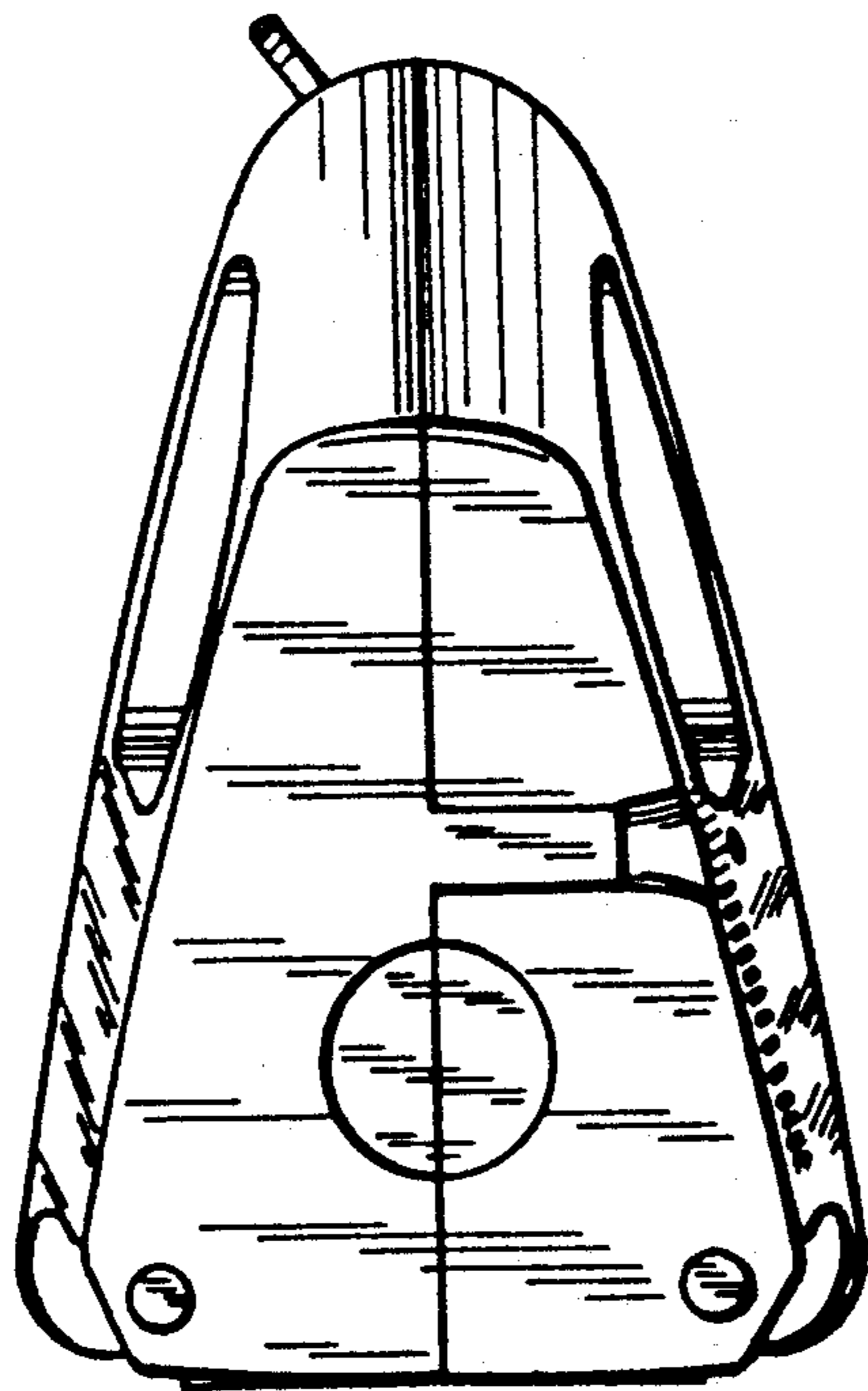


FIG. 7