



US00D338800S

United States Patent [19]

[11] Patent Number: **Des. 338,800**

Duquaine, Jr. et al.

[45] Date of Patent: **** Aug. 31, 1993**

[54] HOT AIR POPCORN POPPER

[75] Inventors: **Ed J. Duquaine, Jr.**, West Bend, Wis.; **William C. Cesaroni**, Glenview, Ill.

[73] Assignee: **The West Bend Company**, West Bend, Wis.

[**] Term: **14 Years**

[21] Appl. No.: **818,704**

[22] Filed: **Jan. 9, 1992**

[52] U.S. Cl. **D7/325; D7/323**

[58] Field of Search **D7/323, 325; 99/323.5, 99/442**

[56] References Cited

U.S. PATENT DOCUMENTS

4,748,903 6/1988 Fereshetian 99/323.5 X

OTHER PUBLICATIONS

Best Catalog; 1980; p. 243; #A, B & E Popcorn Poppers top of Page.

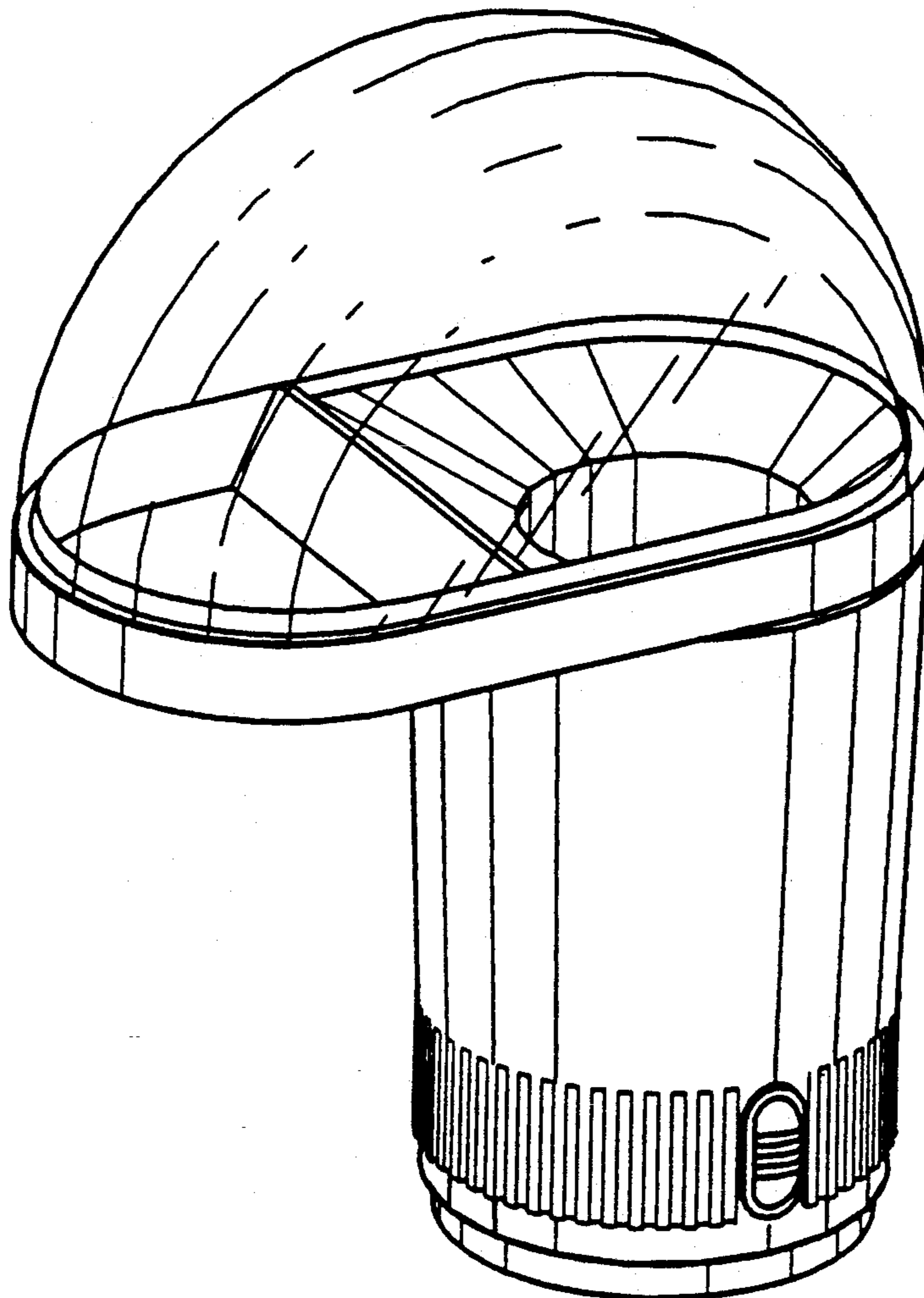
Primary Examiner—Alan P. Douglas
Assistant Examiner—Caron D. Veynar
Attorney, Agent, or Firm—Russell L. McIlwain

[57] CLAIM

The ornamental design for a hot air popcorn popper, as shown.

DESCRIPTION

FIG. 1 is a top perspective view of the hot air popcorn popper showing our new design; FIG. 2 is a right side elevational view thereof; FIG. 3 is a left side elevational view thereof; FIG. 4 is a top plan view thereof; FIG. 5 is a front elevational view thereof; and, FIG. 6 is a rear elevational view thereof.



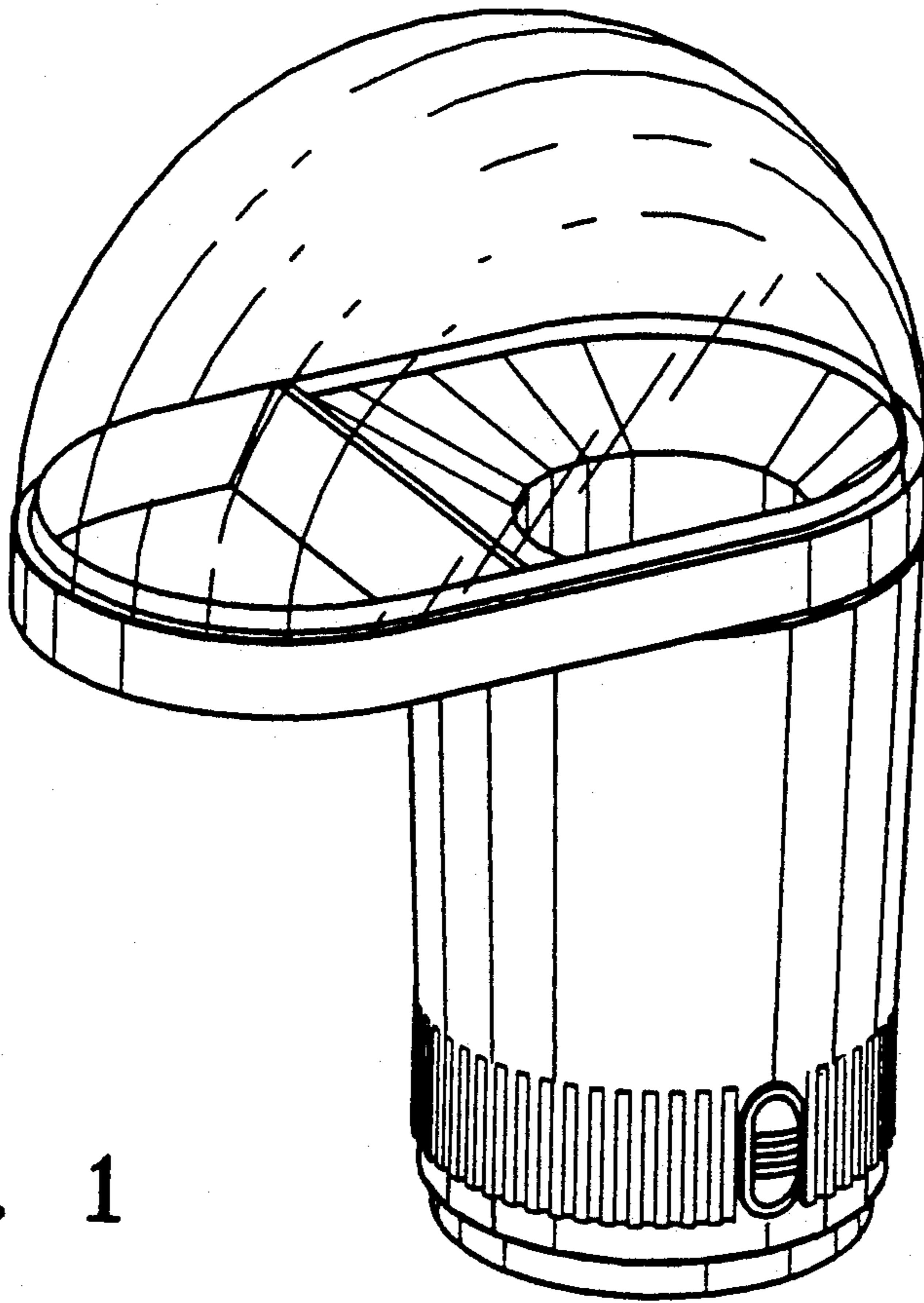


Fig. 1

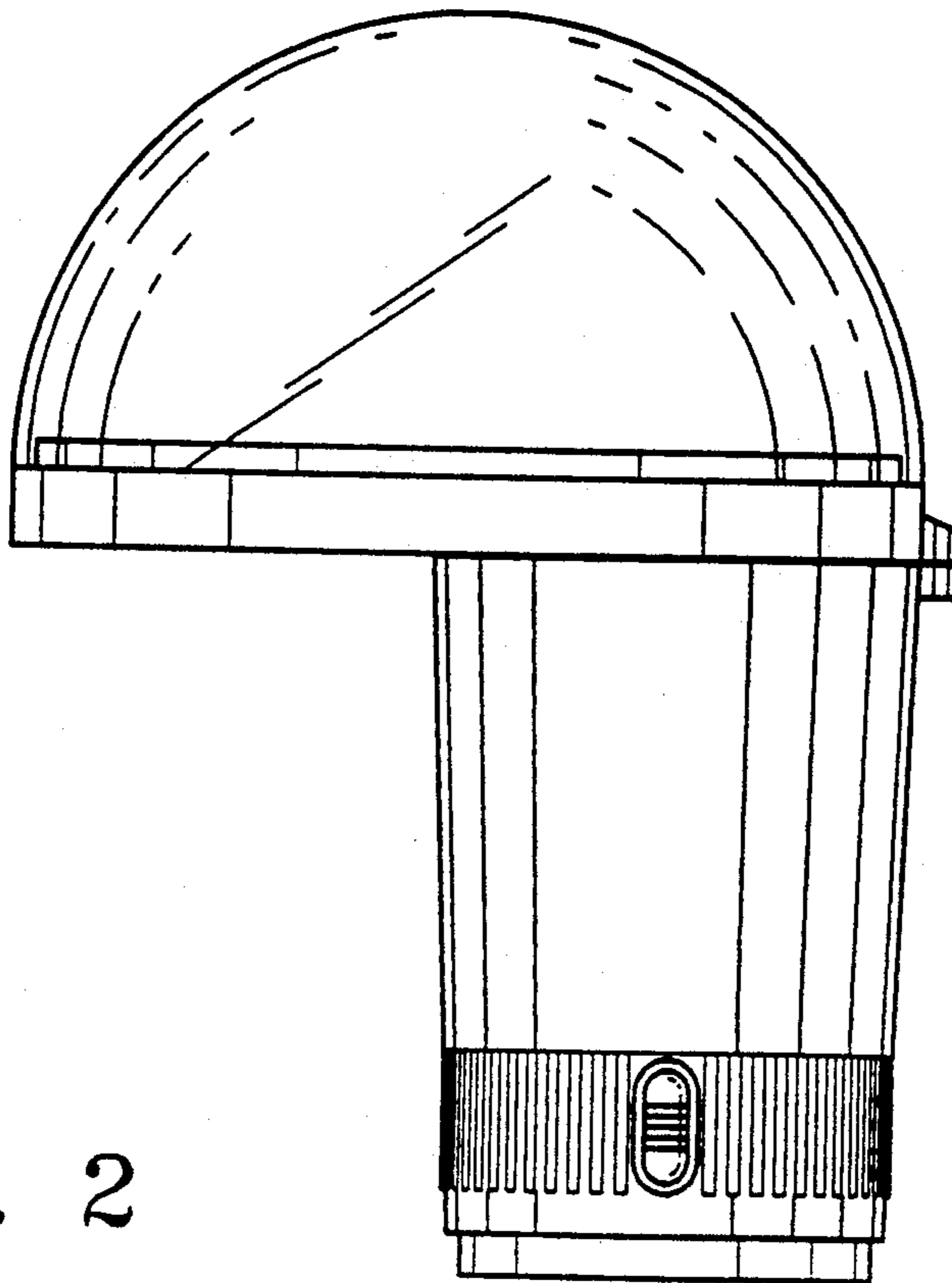


Fig. 2

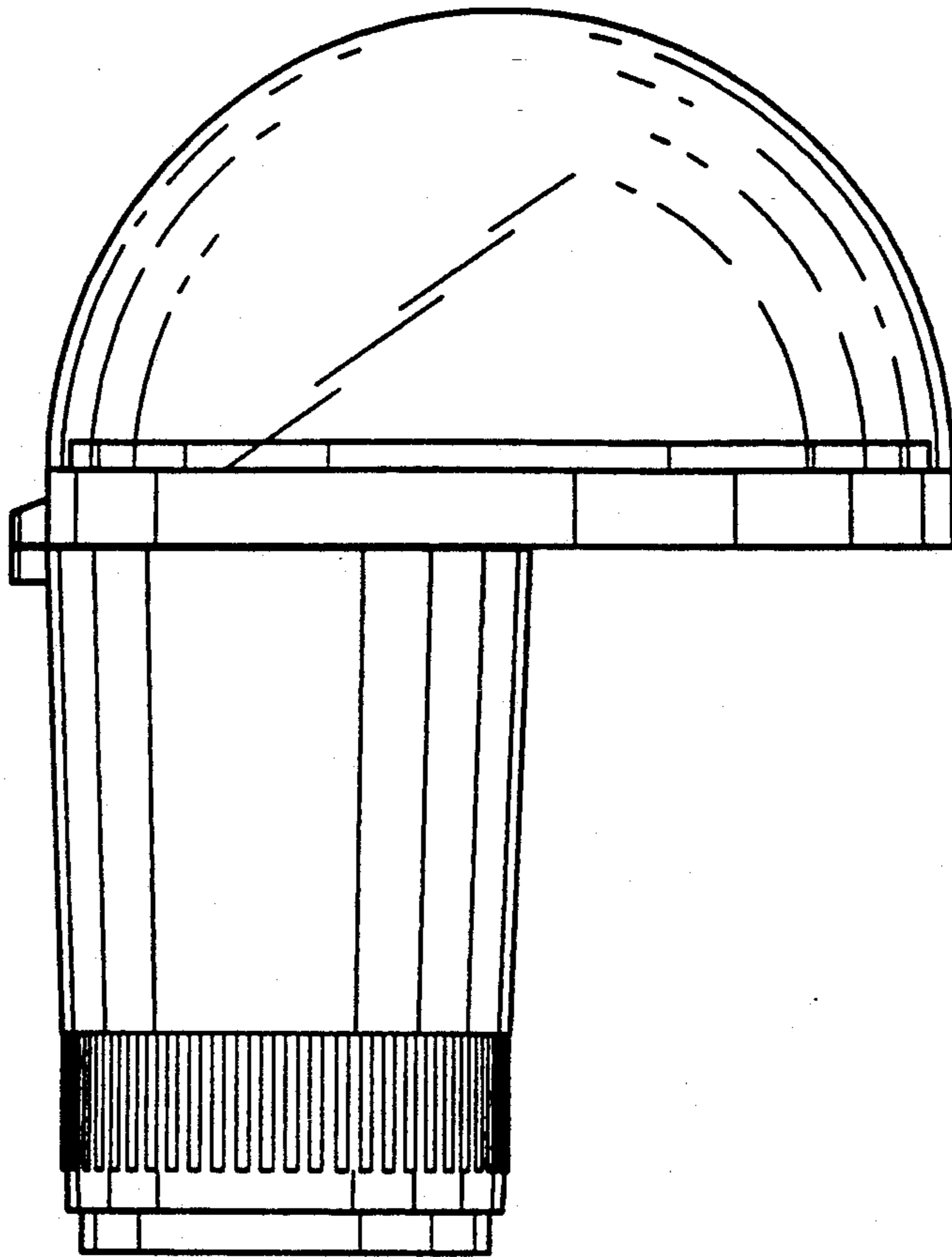


Fig. 3

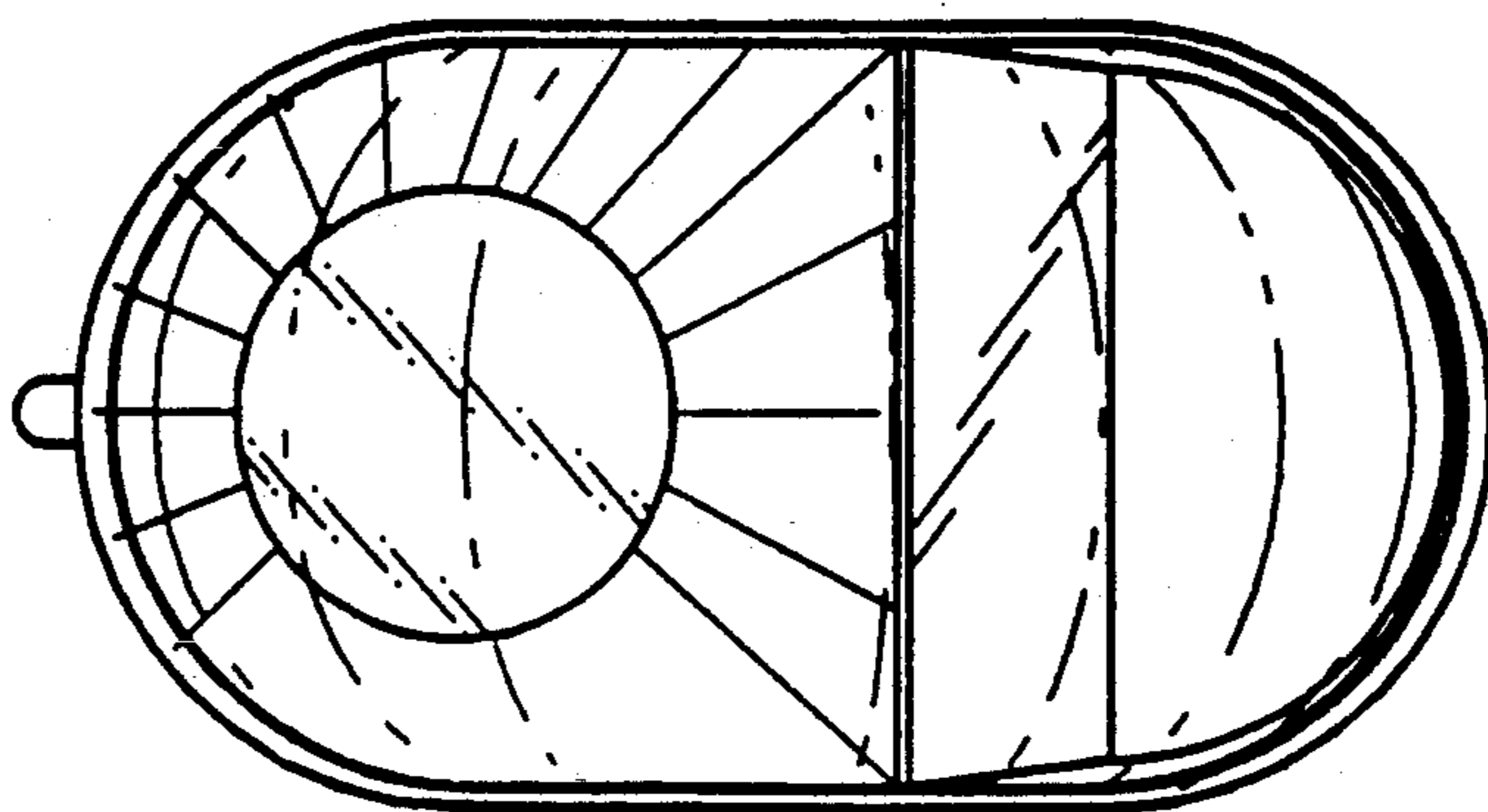


Fig. 4

Fig. 5

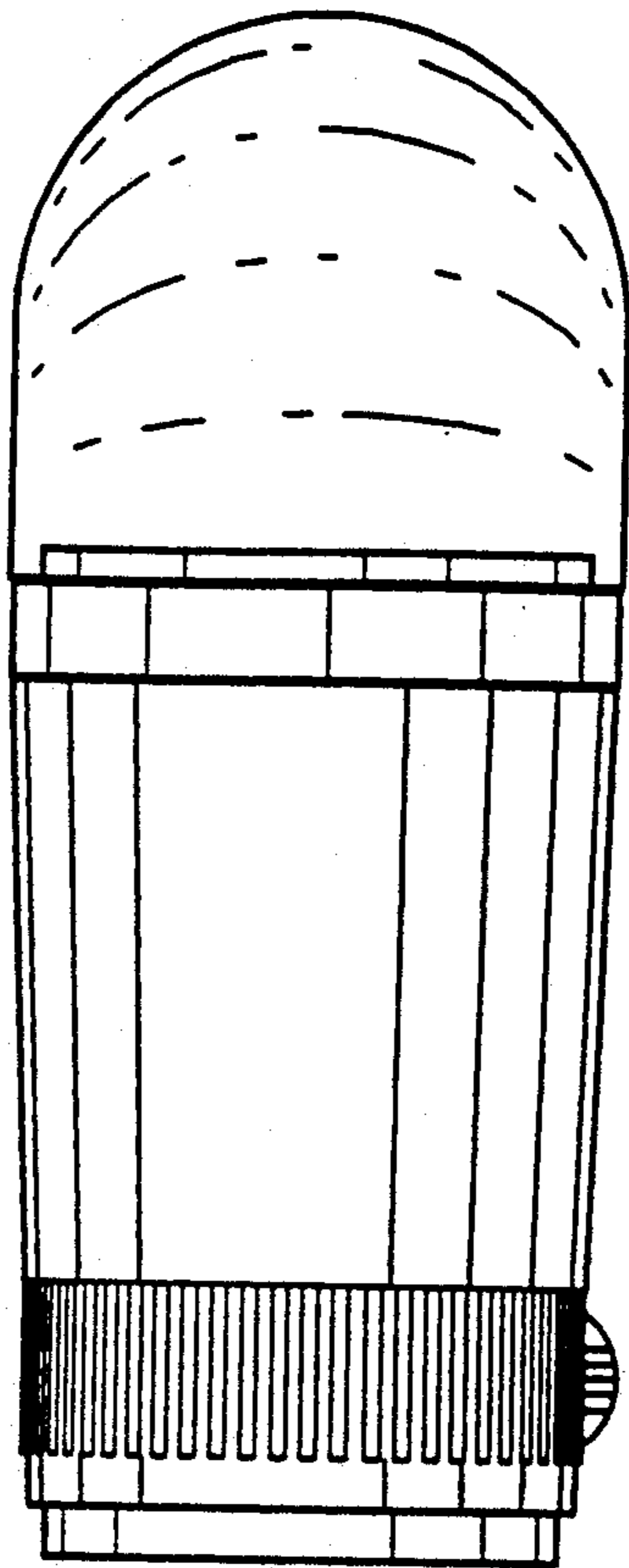


Fig. 6

