



US00D338799S

United States Patent [19]

[11] Patent Number: **Des. 338,799**

Lebowitz

[45] Date of Patent: **** Aug. 31, 1993**

[54] TEA KETTLE

D. 65,983	11/1924	Wagner	D7/320
D. 80,257	1/1930	Cornell	D7/321
D. 192,815	5/1962	Storr	D7/321
D. 288,518	3/1987	Lebowitz	D7/322

[75] Inventor: **Sam Lebowitz, New York, N.Y.**

[73] Assignee: **Wilton Industries, Inc., Woodridge, Ill.**

[**] Term: **14 Years**

*Primary Examiner—Alan P. Douglas
Assistant Examiner—M. N. Pandozzi
Attorney, Agent, or Firm—James P. Ryther*

[21] Appl. No.: **671,307**

[57] **CLAIM**

[22] Filed: **Mar. 18, 1991**

The ornamental design for a tea kettle, as shown.

[52] U.S. Cl. **D7/322; D7/321**

DESCRIPTION

[58] Field of Search **D7/300, 300.1, 301, D7/302, 303, 316, 317, 318, 319, 320, 321, 322, 619, 622; 220/758, 254, 755, 751, 278; 222/470, 471, 475.1, 472, 473; 99/295, 306, 316, 279**

FIG. 1 is a top right perspective view of a tea kettle showing my new design;

FIG. 2 is a side elevational view of the invention shown in FIG. 1;

FIG. 3 is a front elevational view of the invention;

FIG. 4 is a rear elevational view of the invention;

FIG. 5 is a top plan view of the invention shown in FIG. 1; and,

FIG. 6 is a bottom plan view of the invention shown in FIG. 1.

[56] **References Cited**

U.S. PATENT DOCUMENTS

D. 35,759	2/1902	Wagner	D7/320
D. 38,836	9/1907	Rose	D7/319
D. 51,144	8/1917	Luttringhaus	D7/320
D. 59,191	10/1921	Church	D7/320

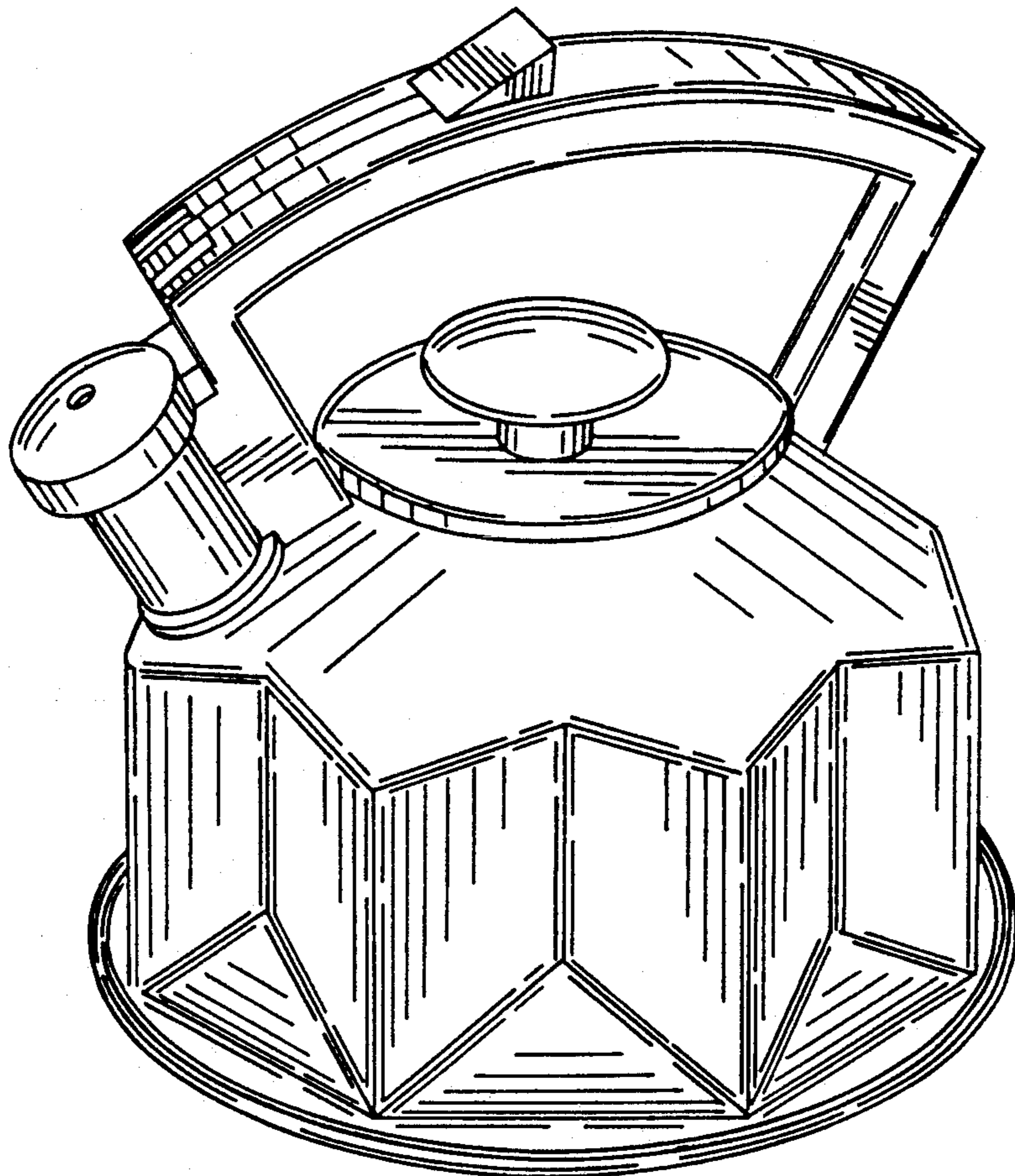


FIG. 1

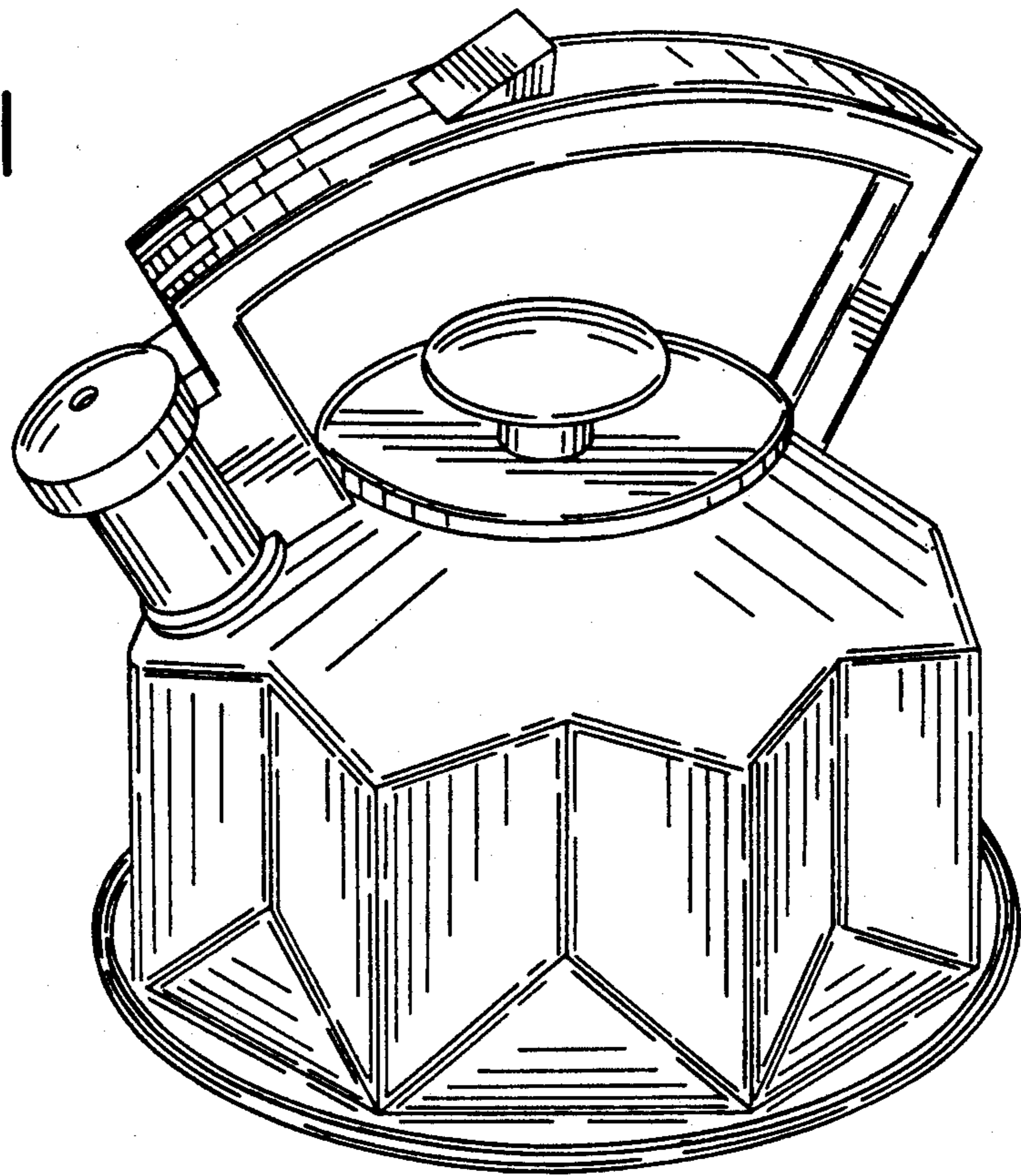


FIG. 2

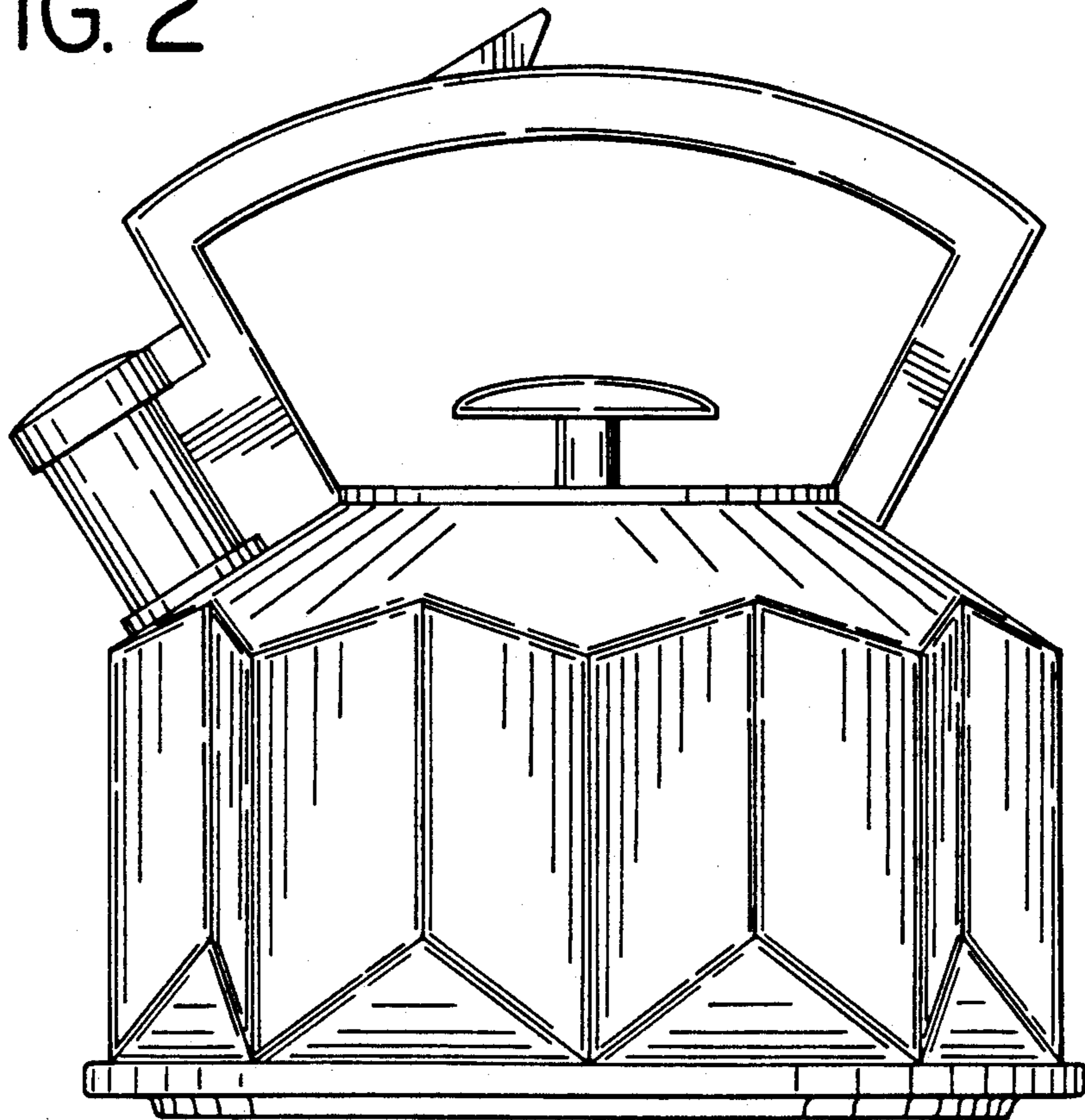


FIG. 3

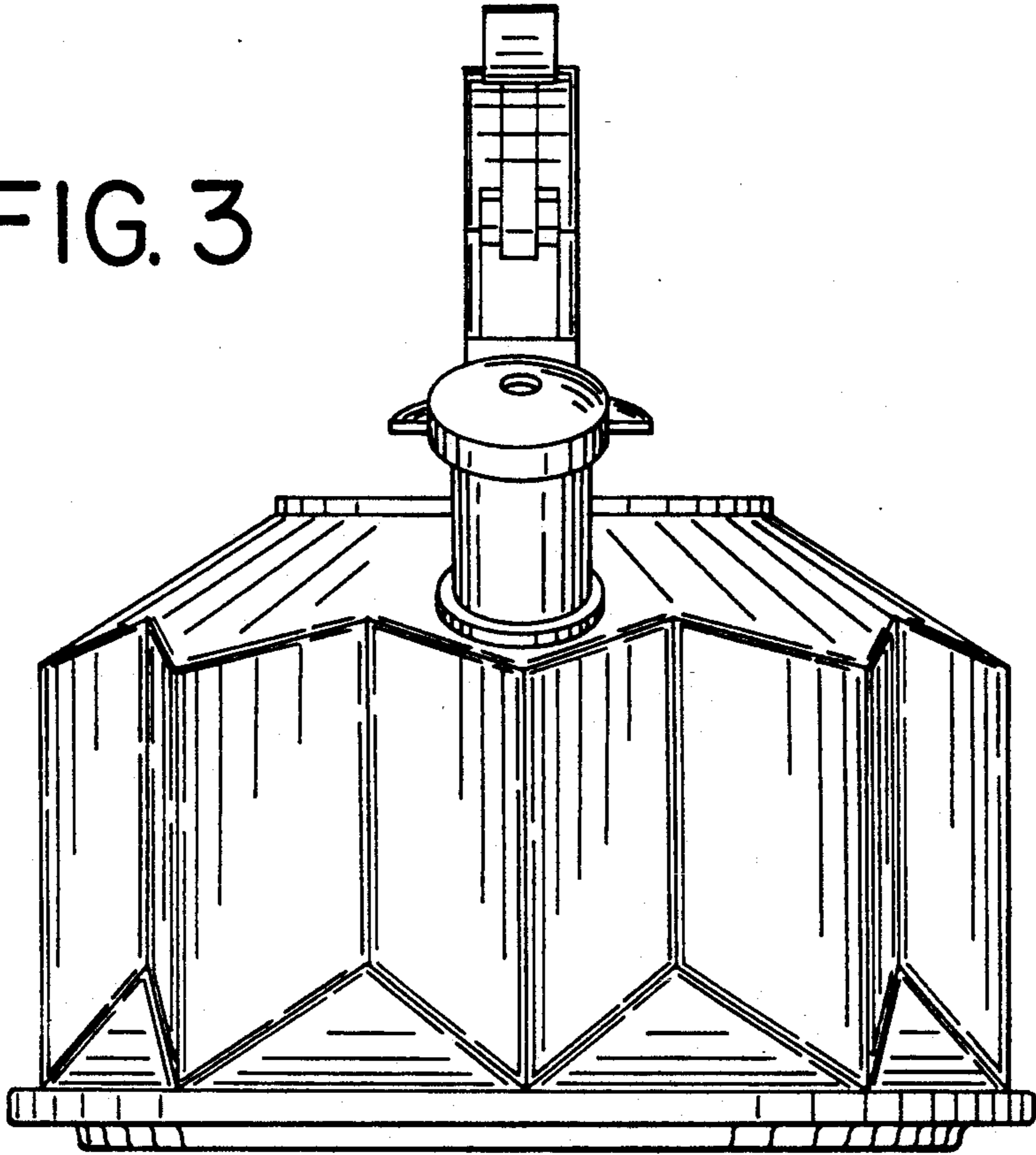


FIG. 4

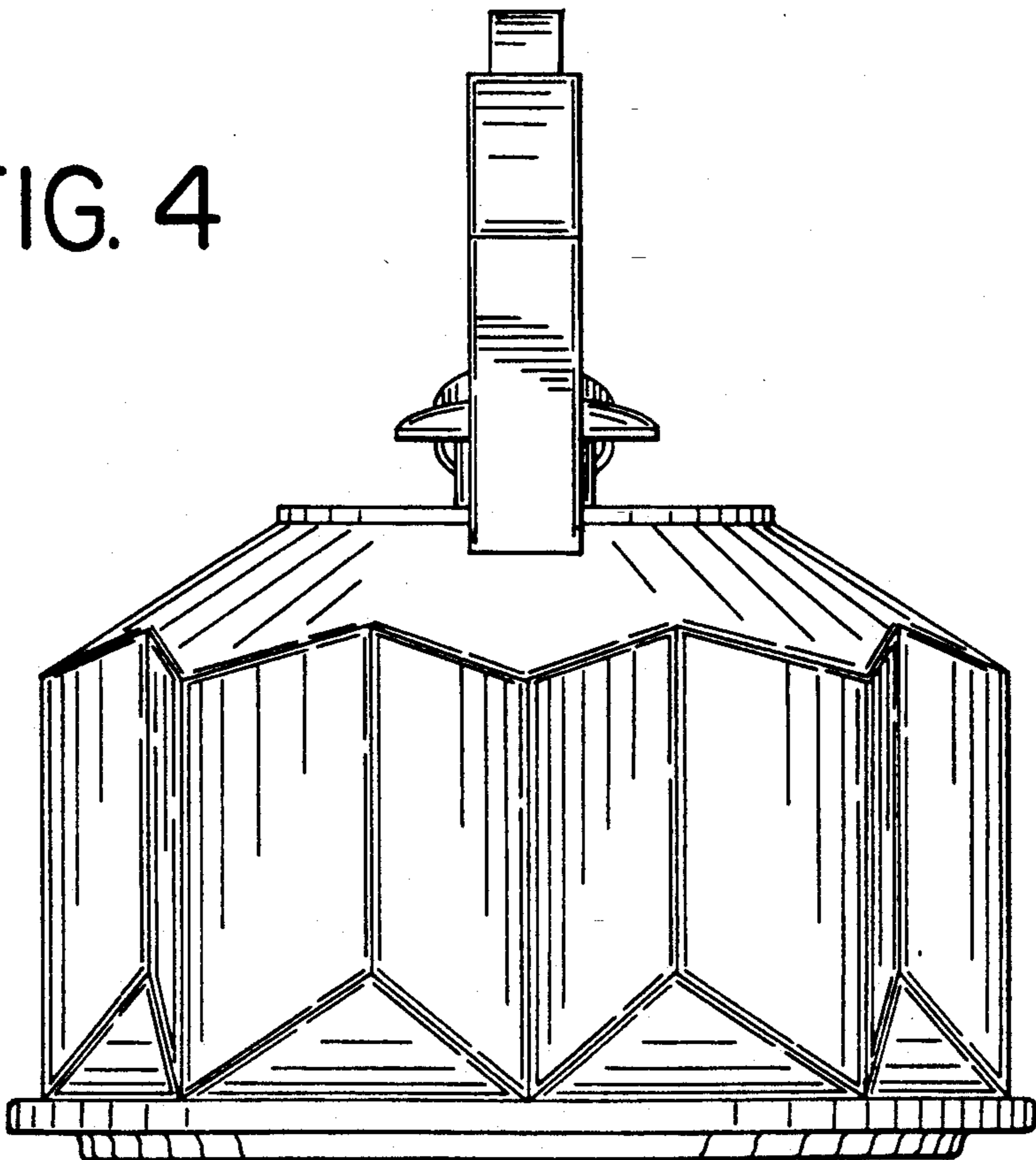


FIG. 5

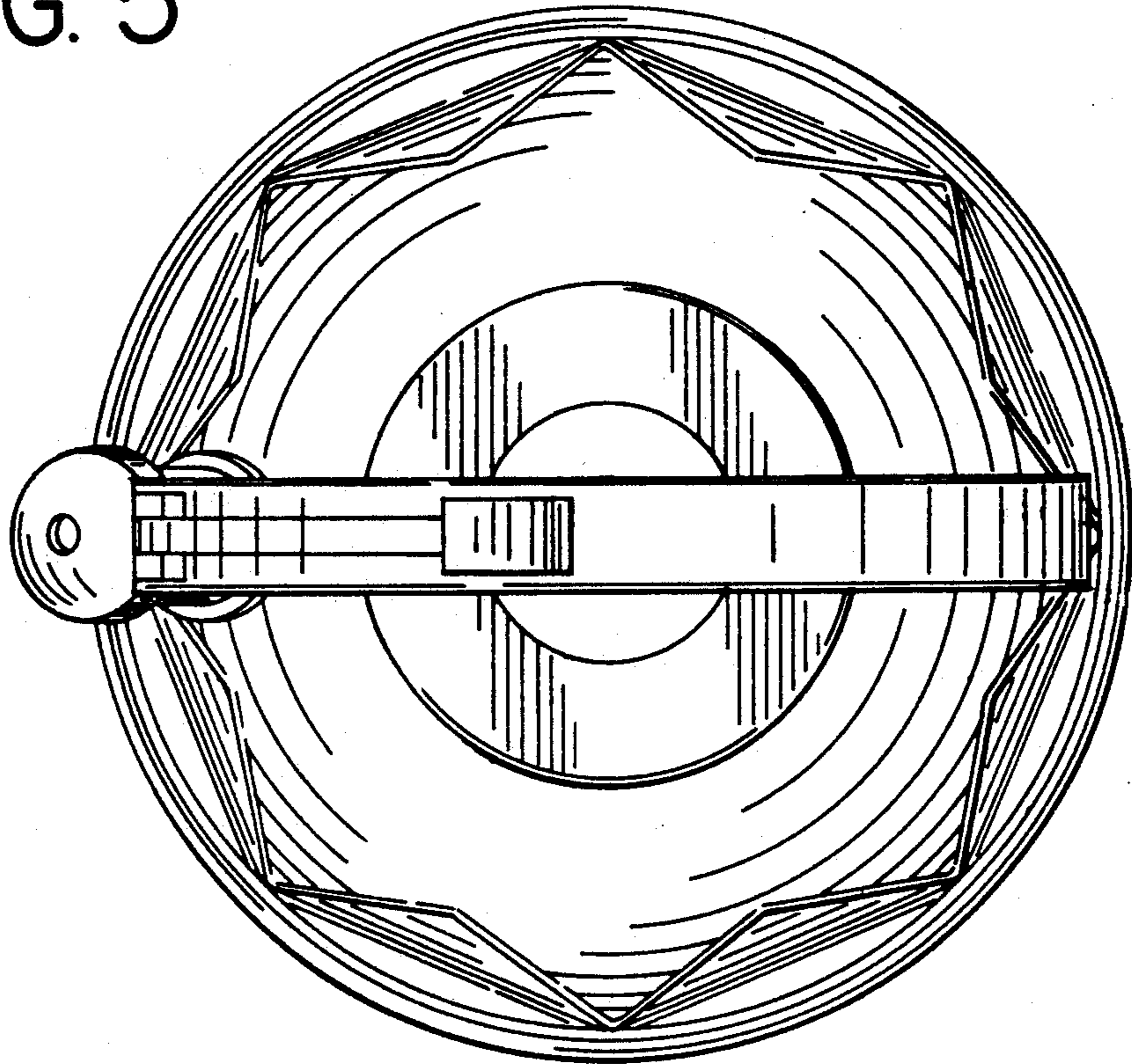


FIG. 6

