



US00D338794S

# United States Patent [19]

[11] Patent Number: Des. 338,794

Wilsker

[45] Date of Patent: \*\* Aug. 31, 1993

[54] TOWEL WARMER

[57] CLAIM

[75] Inventor: Jay M. Wilsker, Englewood Cliffs, N.J.

The ornamental design for a towel warmer, as shown and described.

[73] Assignee: Sussman-Automatic Corporation, Long Island City, N.Y.

### DESCRIPTION

[\*\*] Term: 14 Years

FIG. 1 is a front elevational view of a towel warmer showing my new design;

[21] Appl. No.: 779,581

FIG. 2 is a rear elevational view thereof;

[22] Filed: Oct. 21, 1991

FIG. 3 is a right side elevational view thereof, the left side being a mirror image of that shown;

[52] U.S. Cl. .... D6/549

FIG. 4 is a top plan view thereof;

[58] Field of Search ..... D6/546-550;

FIG. 5 is a bottom plan view thereof;

D23/386, 314, 328; D32/58; 211/13, 16, 26,

FIG. 6 is a top, front, and right side perspective view of a second embodiment thereof, the only difference residing in the appearance of the insert panels on the front elevation;

105.2, 123, 182; 312/37, 236; 219/211-212,

FIG. 7 is a front elevational view of a third embodiment thereof;

385-386, 469

FIG. 8 is a rear elevational view of the third embodiment;

### [56] References Cited

#### U.S. PATENT DOCUMENTS

D. 324,620 3/1992 Chalot ..... D6/548

D. 327,598 7/1992 Emery ..... D6/549

4,757,906 7/1988 Ovitz, III ..... 211/182 X

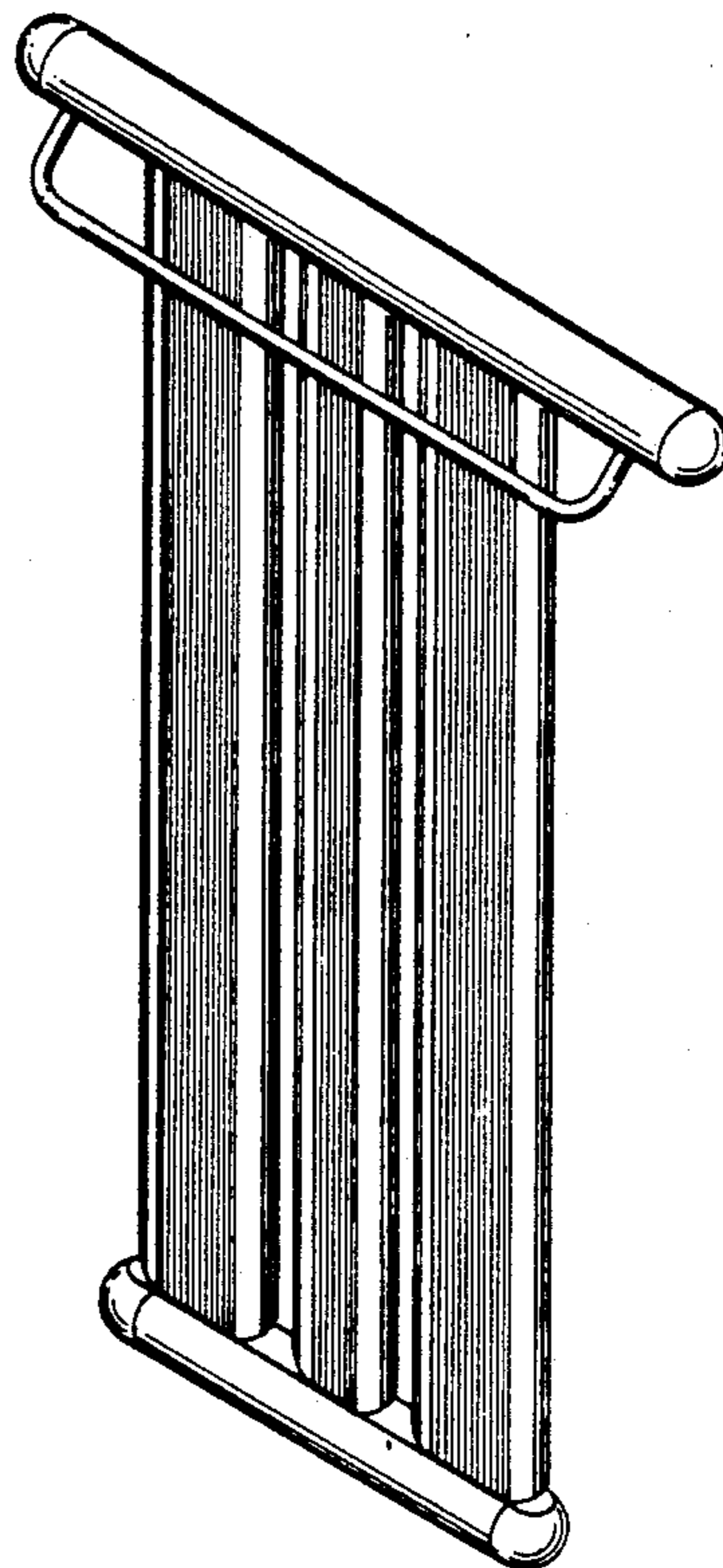
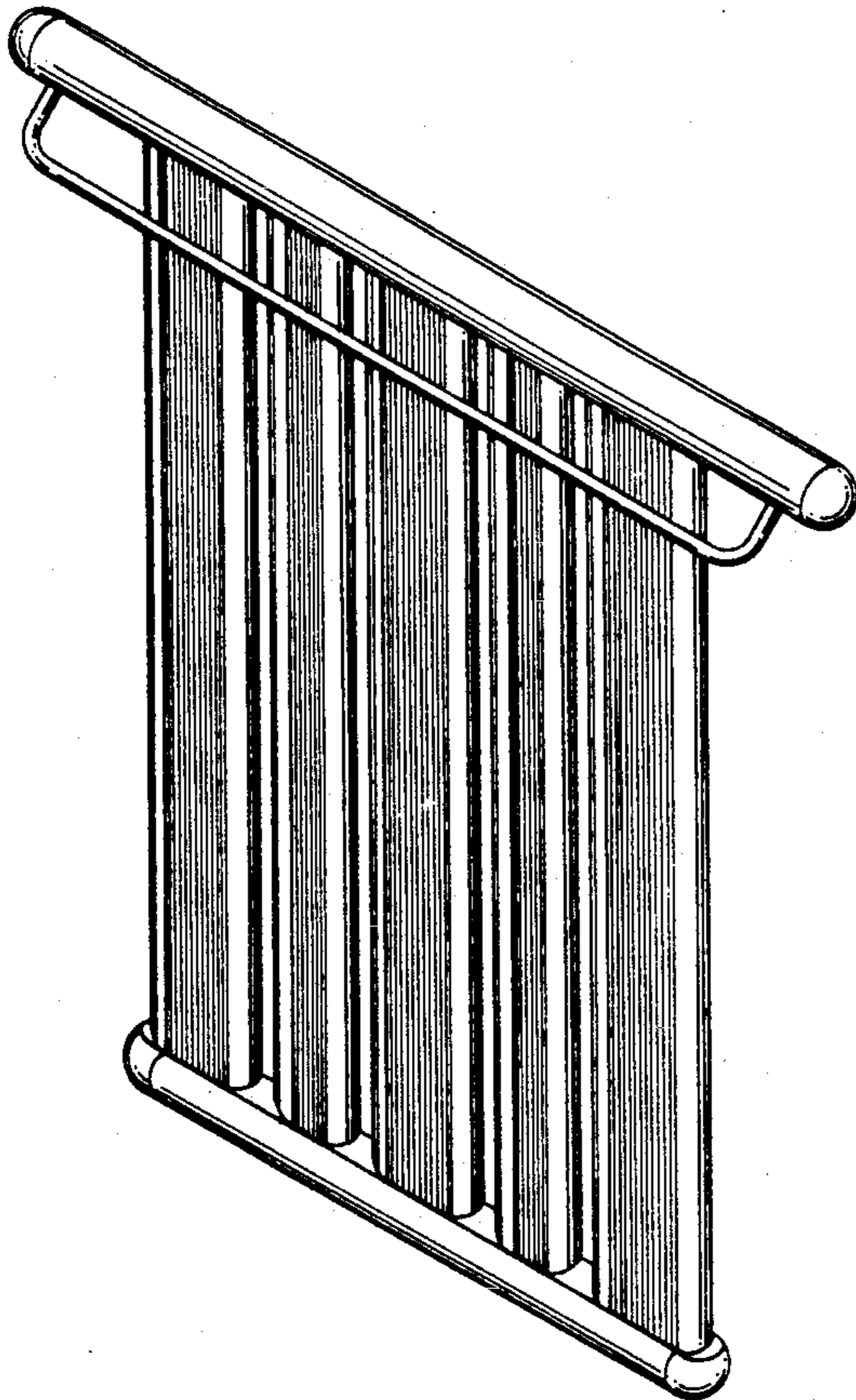
FIG. 9 is a right side elevational view of the third embodiment, the left side being a mirror image of that shown;

FIG. 10 is a top plan view of the third embodiment;

FIG. 11 is a bottom plan view of the third embodiment; and,

FIG. 12 is a top, front, and right side perspective view of a fourth embodiment thereof, the only difference from the third embodiment residing in the appearance of the insert panels on the front elevation.

Primary Examiner—Brian N. Vinson  
Attorney, Agent, or Firm—James & Franklin



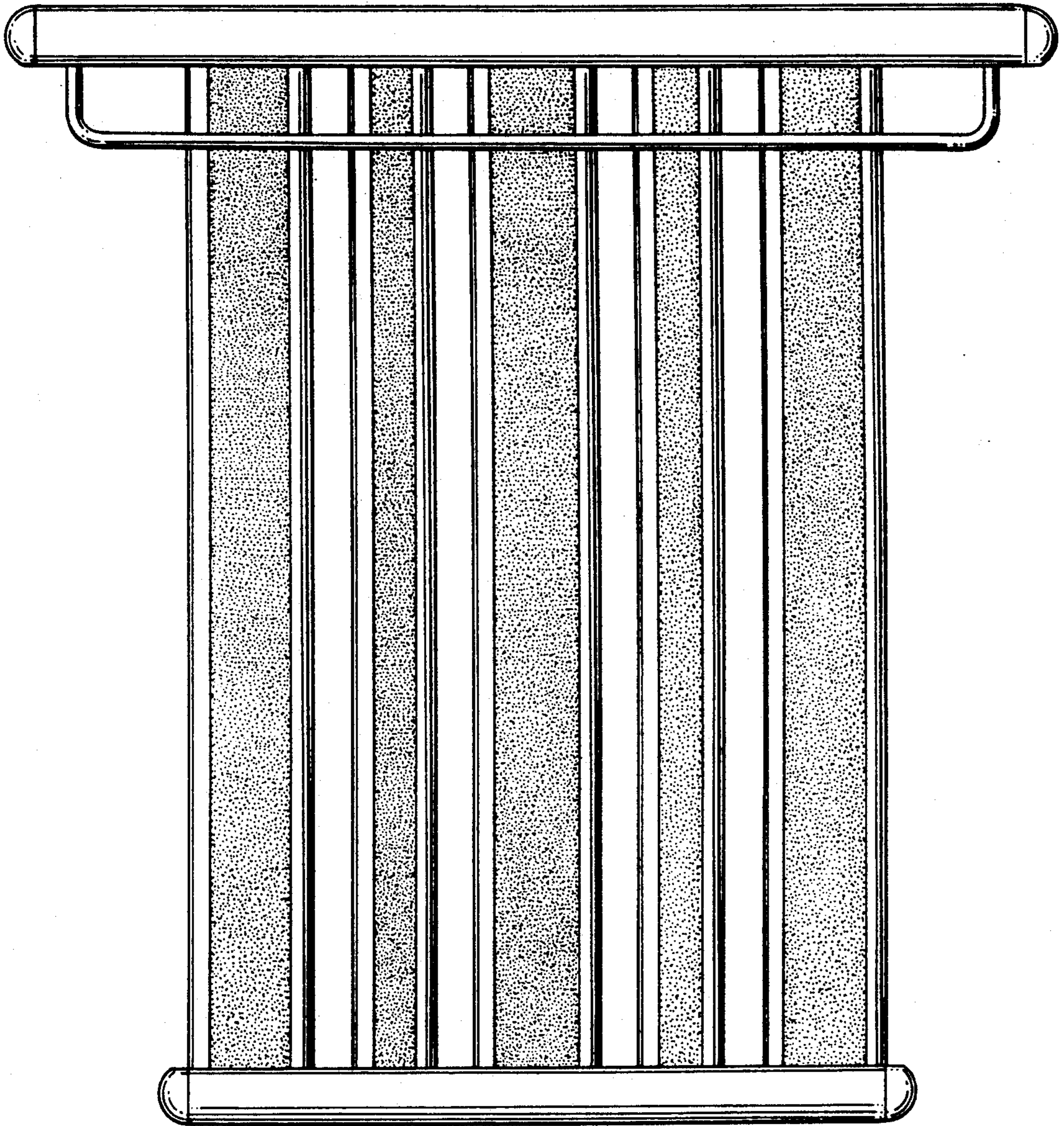


FIG. 1

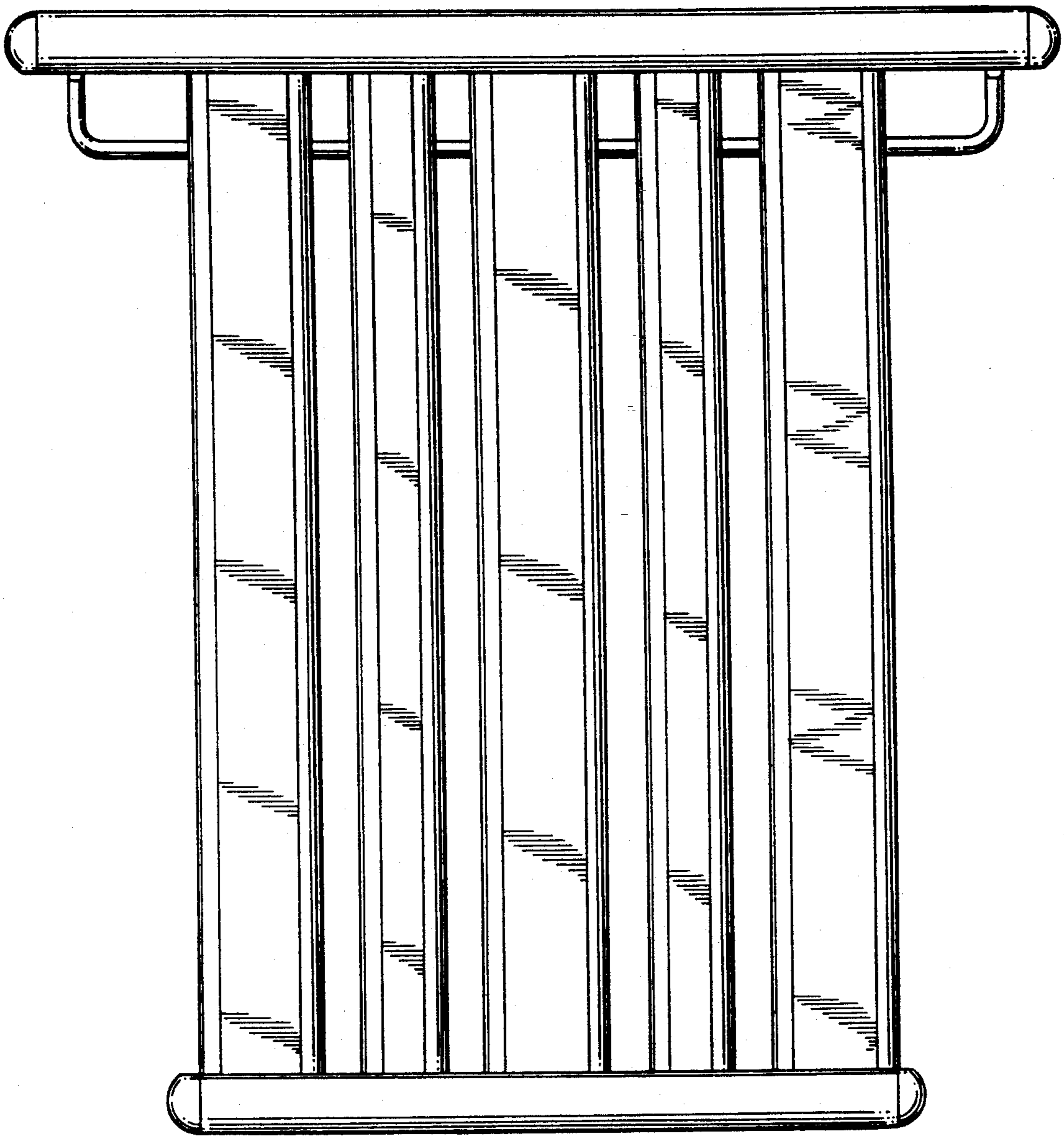


FIG. 2

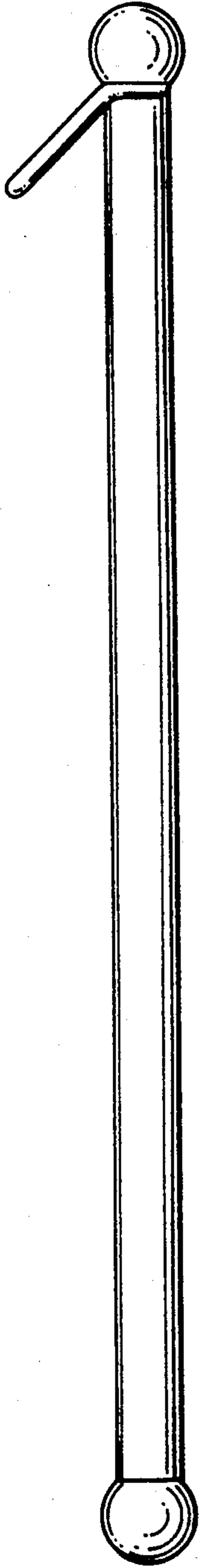


FIG. 3

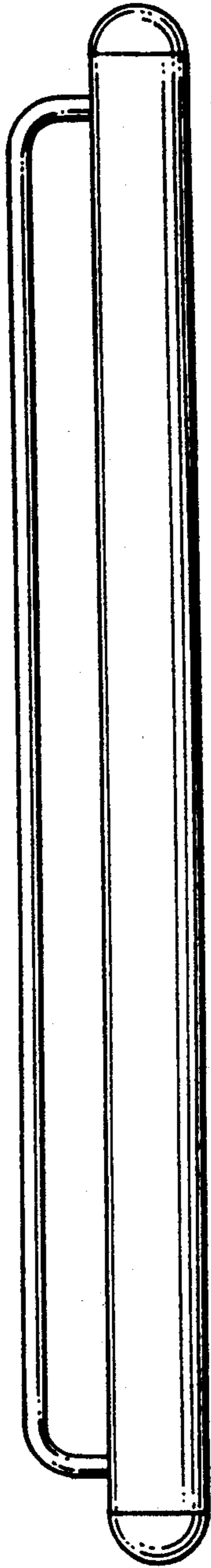


FIG. 4

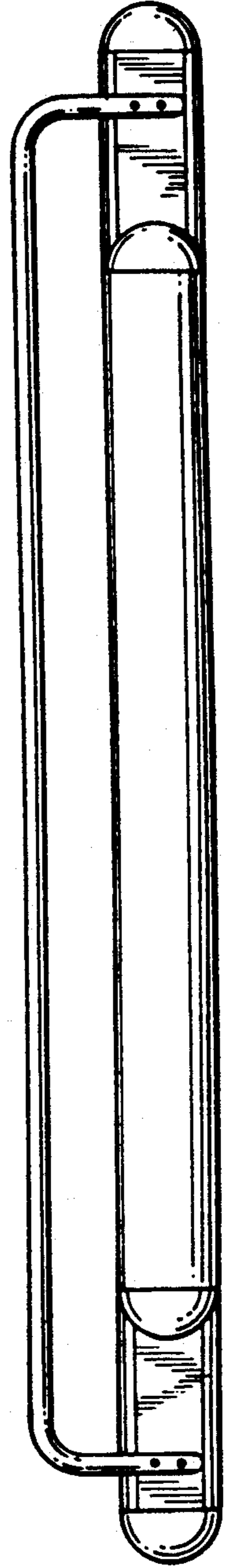


FIG. 5

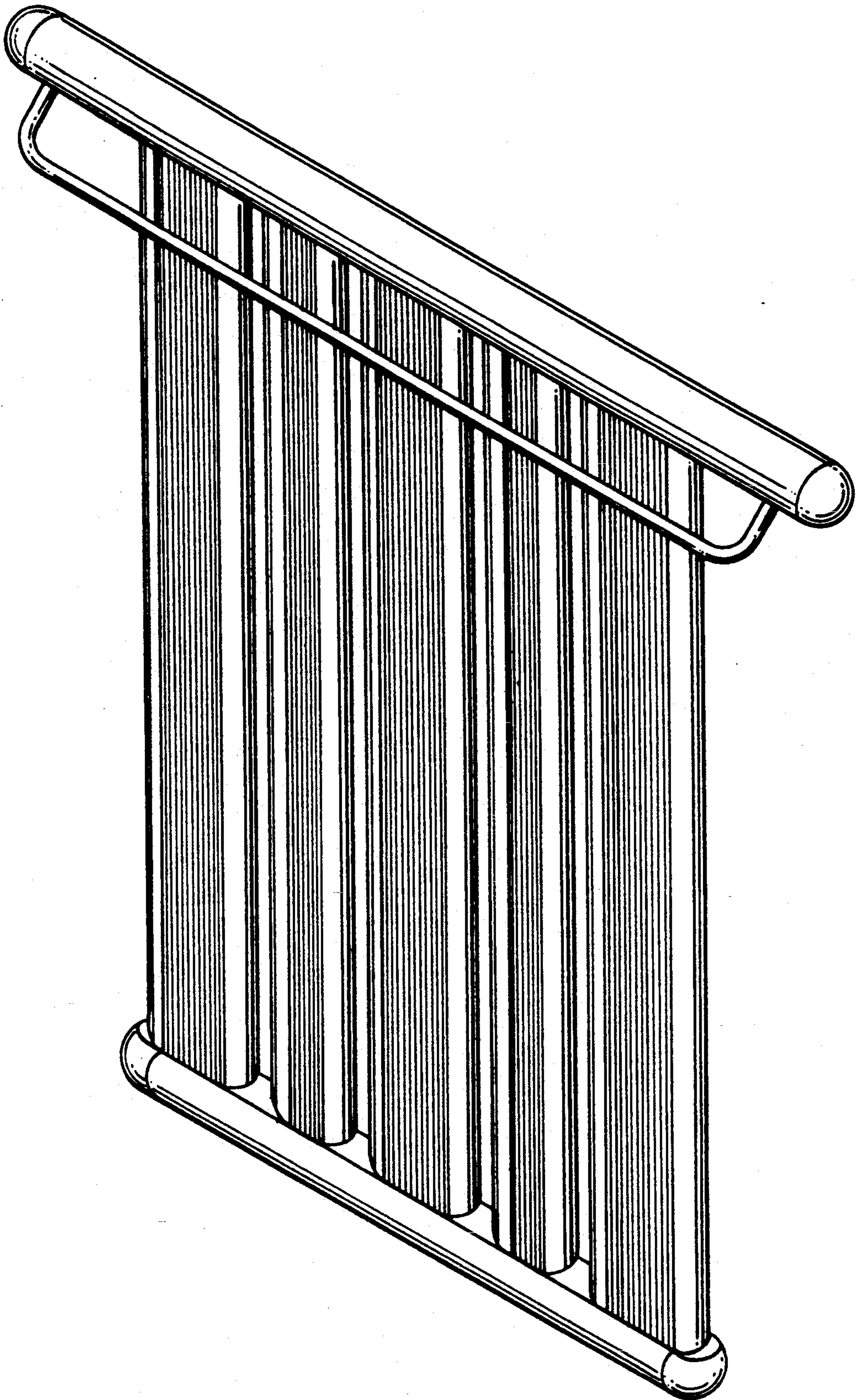


FIG. 6

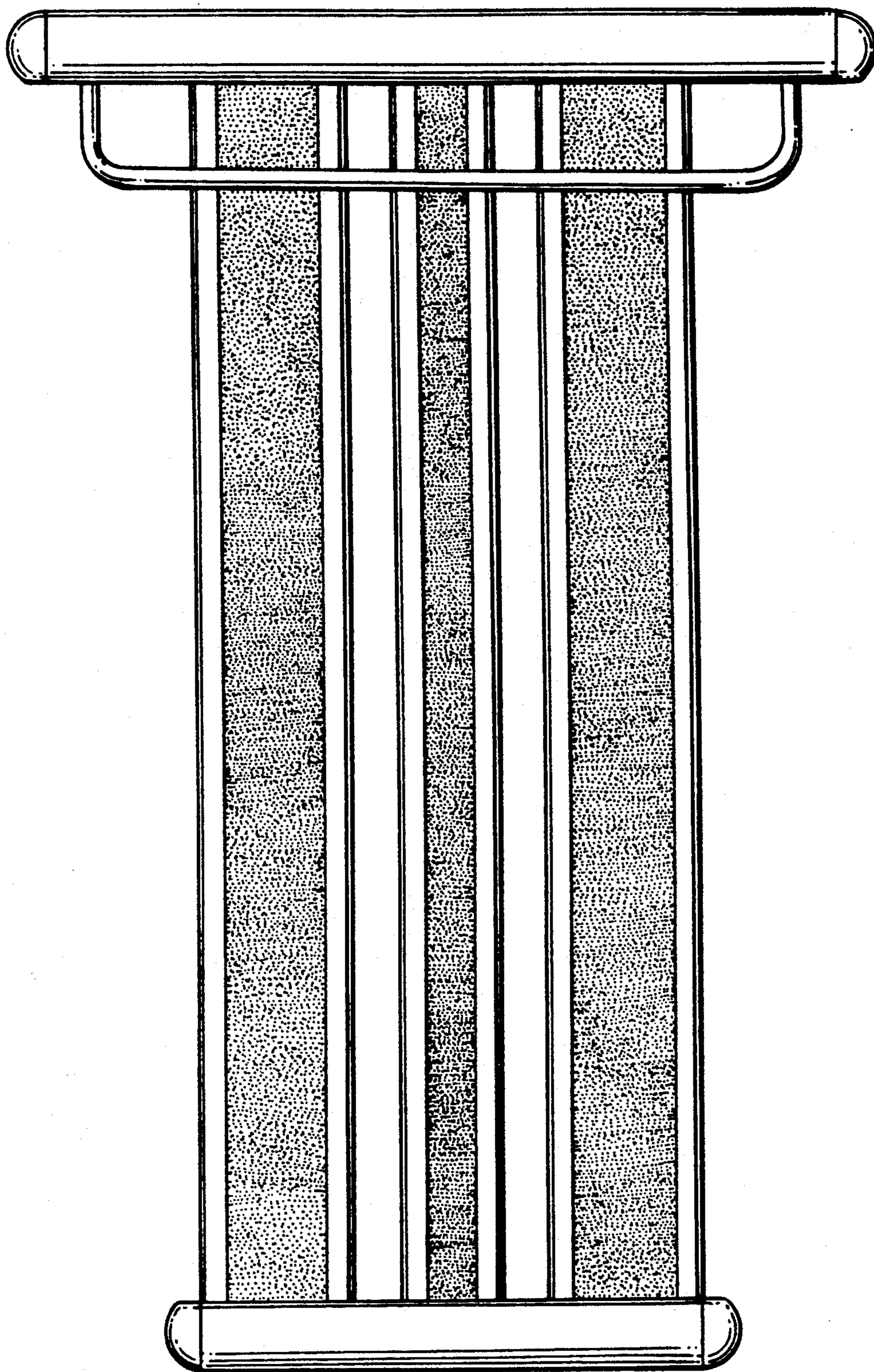


FIG. 7

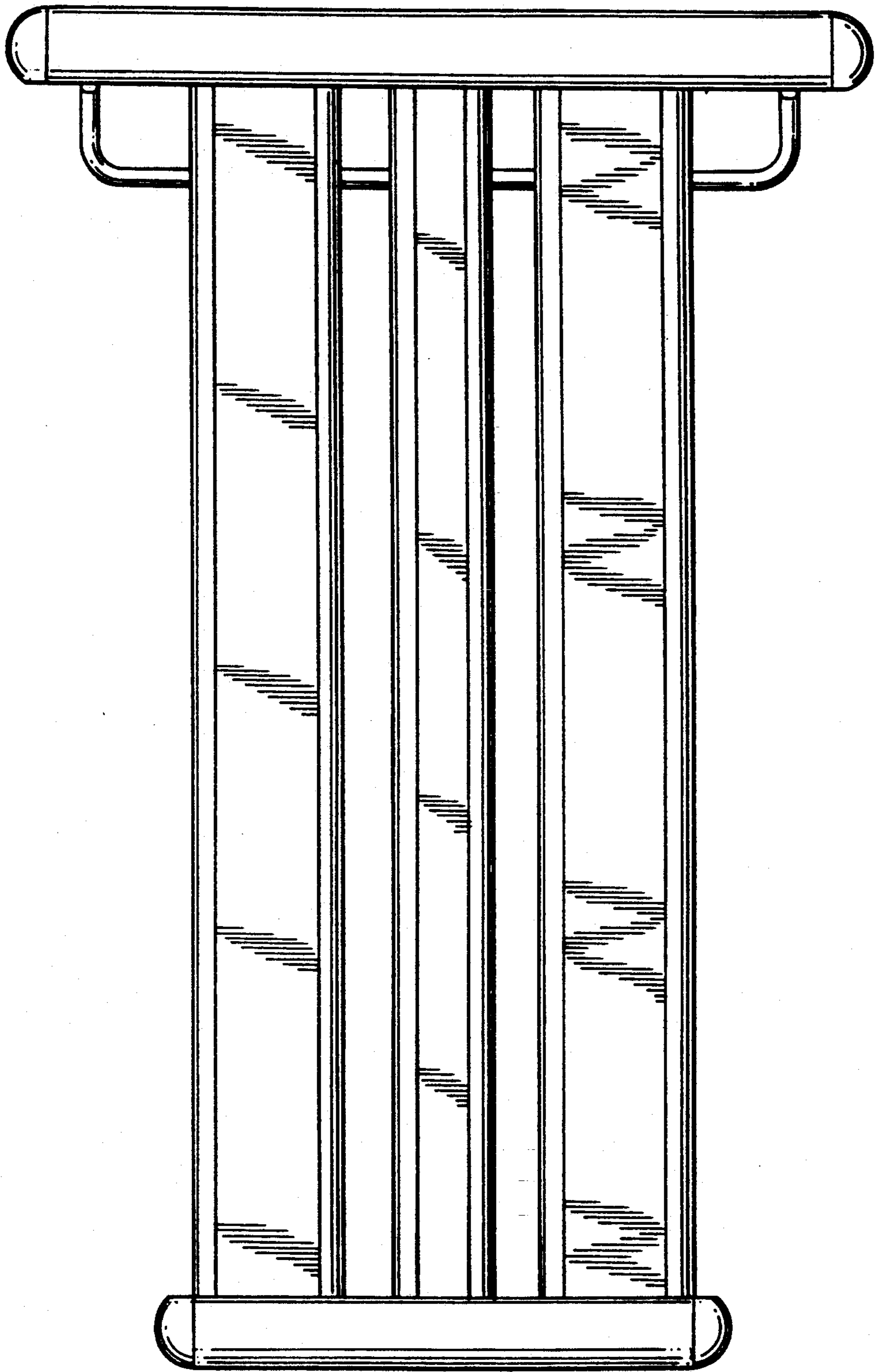


FIG. 8

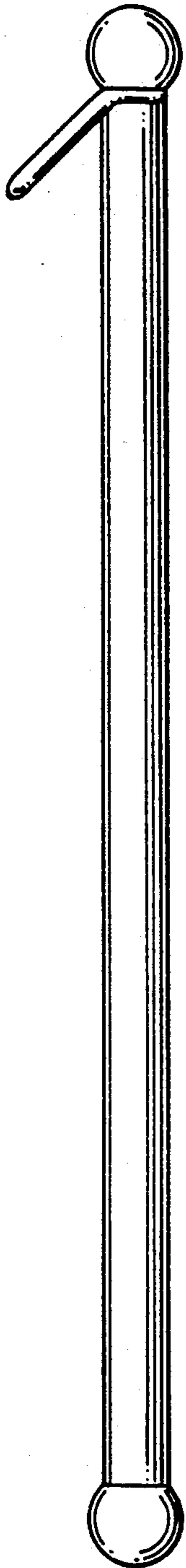


FIG. 9

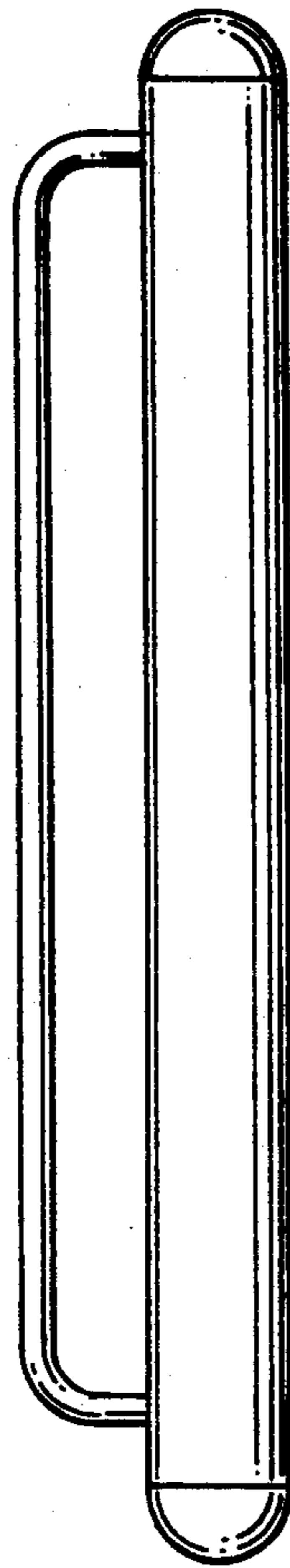


FIG. 10

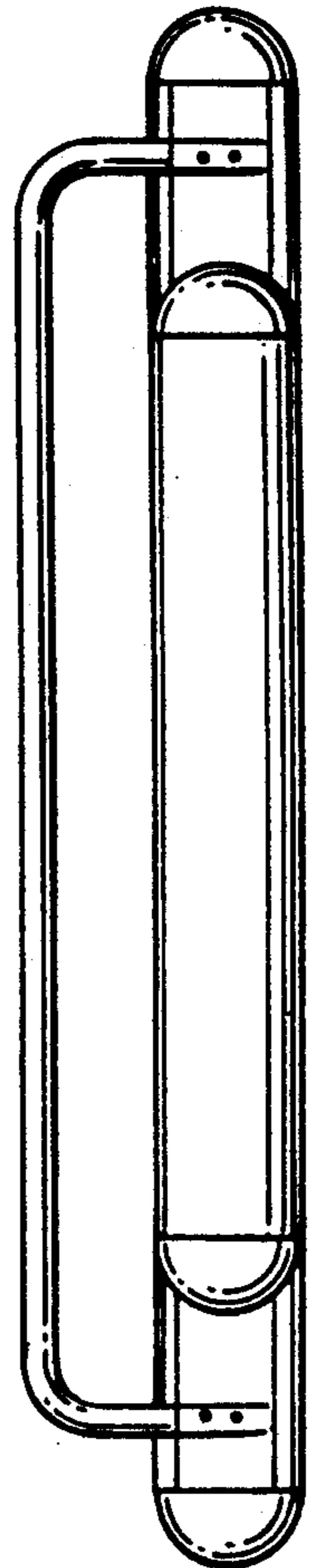


FIG. 11



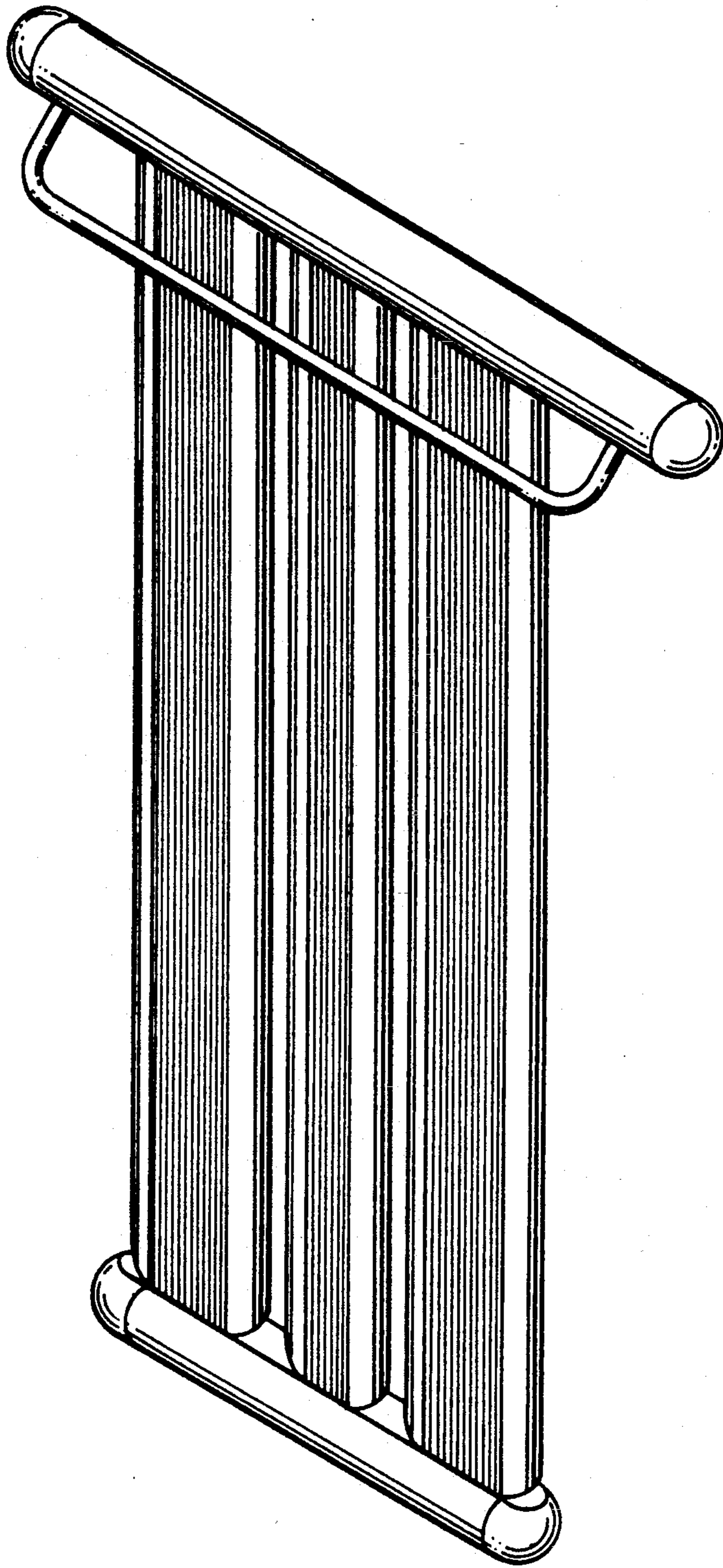


FIG. 12