



US00D338793S

United States Patent [19]

[11] Patent Number: **Des. 338,793**

Primeau

[45] Date of Patent: **** Aug. 31, 1993**

[54] **WALL SUPPORT FOR BATHROOM ACCESSORIES**

D. 312,183 11/1990 Chap et al. D6/531
1,975,691 10/1934 Hibbs D6/531 X

[75] Inventor: **Mario Primeau, Saint-Léonard, Canada**

Primary Examiner—Brian N. Vinson
Attorney, Agent, or Firm—Pierre Lespérance; Francois Martineau

[73] Assignee: **Groupe Sodepro Inc., St-Léonard, Canada**

[57] **CLAIM**

[**] Term: **14 Years**

The ornamental design for a wall support for bathroom accessories, as shown and described.

[21] Appl. No.: **479,991**

DESCRIPTION

[22] Filed: **Feb. 14, 1990**

[52] U.S. Cl. **D6/524; D6/536**

[58] Field of Search **D6/524, 527-535, D6/574; 211/86-88, 90, 126, 134; 4/661; 248/235, 309.1, 310, 311.2**

FIG. 1 is a top, front, and left side perspective view of a wall support for bathroom accessories showing my new design;

FIG. 2 is a vertical cross-sectional view thereof, taken through the center of the support from front to rear;

FIG. 3 is a top plan view thereof;

FIG. 4 is a front elevational view thereof;

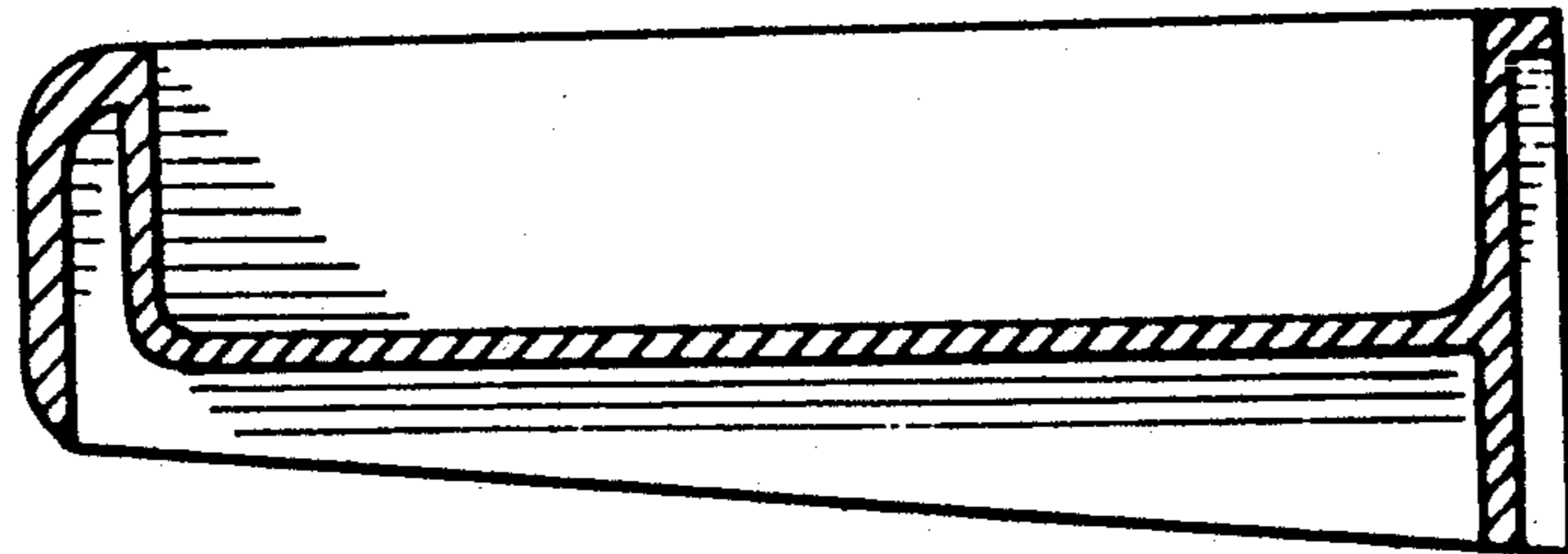
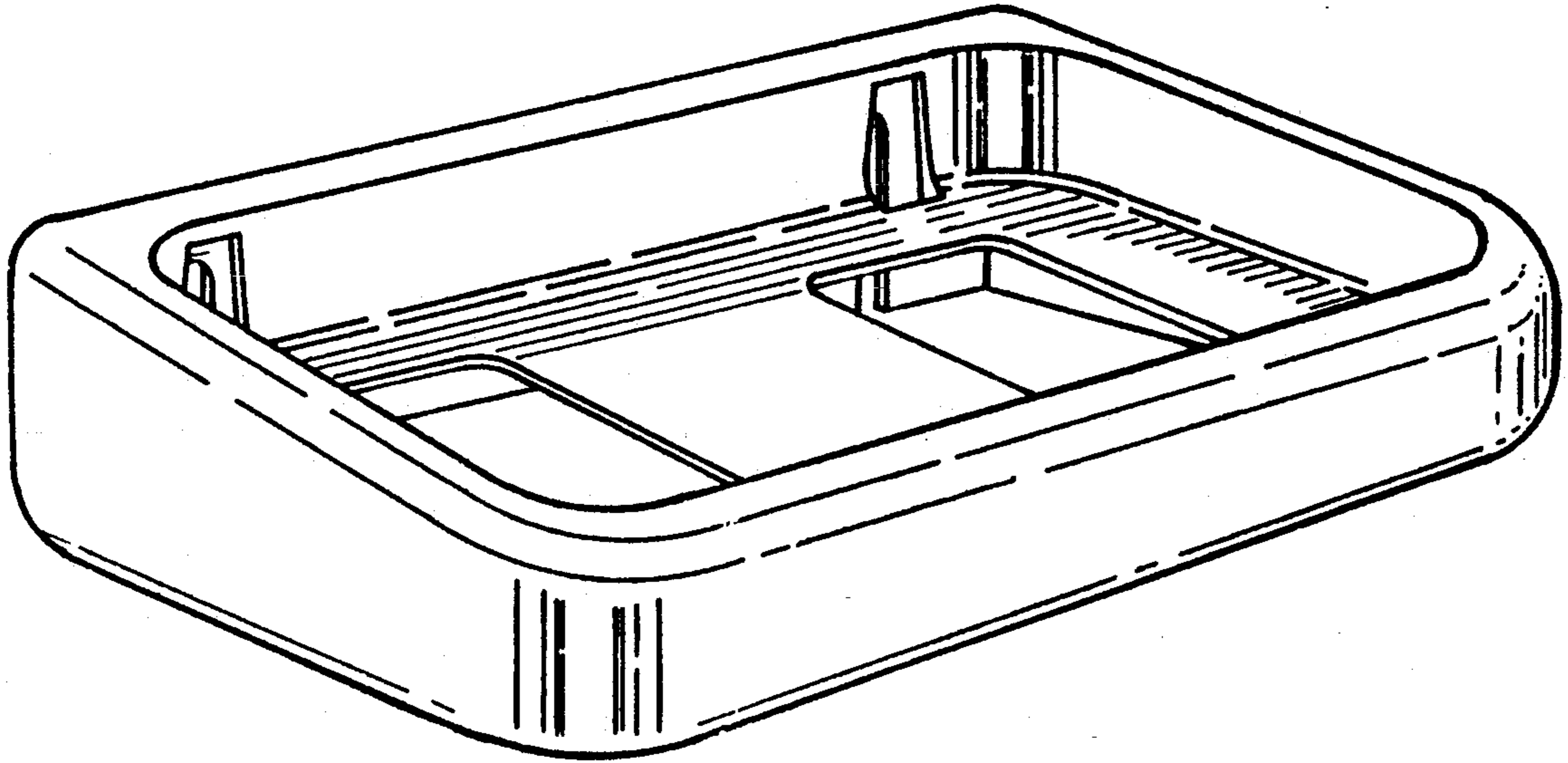
FIG. 5 is a right side elevational view thereof, the left side being a mirror image of that shown; and,

FIGS. 6 and 7 are top, front, and left side perspective views thereof, with the broken-line disclosure of bathroom accessories being for illustrative purposes only and forming no part of the claimed design.

[56] **References Cited**

U.S. PATENT DOCUMENTS

- D. 84,662 7/1931 Smith, Sr. D6/529
- D. 131,504 3/1942 Dreyfuss D6/536
- D. 168,213 11/1952 Coller D6/527 X
- D. 253,504 11/1979 Grosfilley D6/531
- D. 274,486 7/1984 Thompson D6/533 X



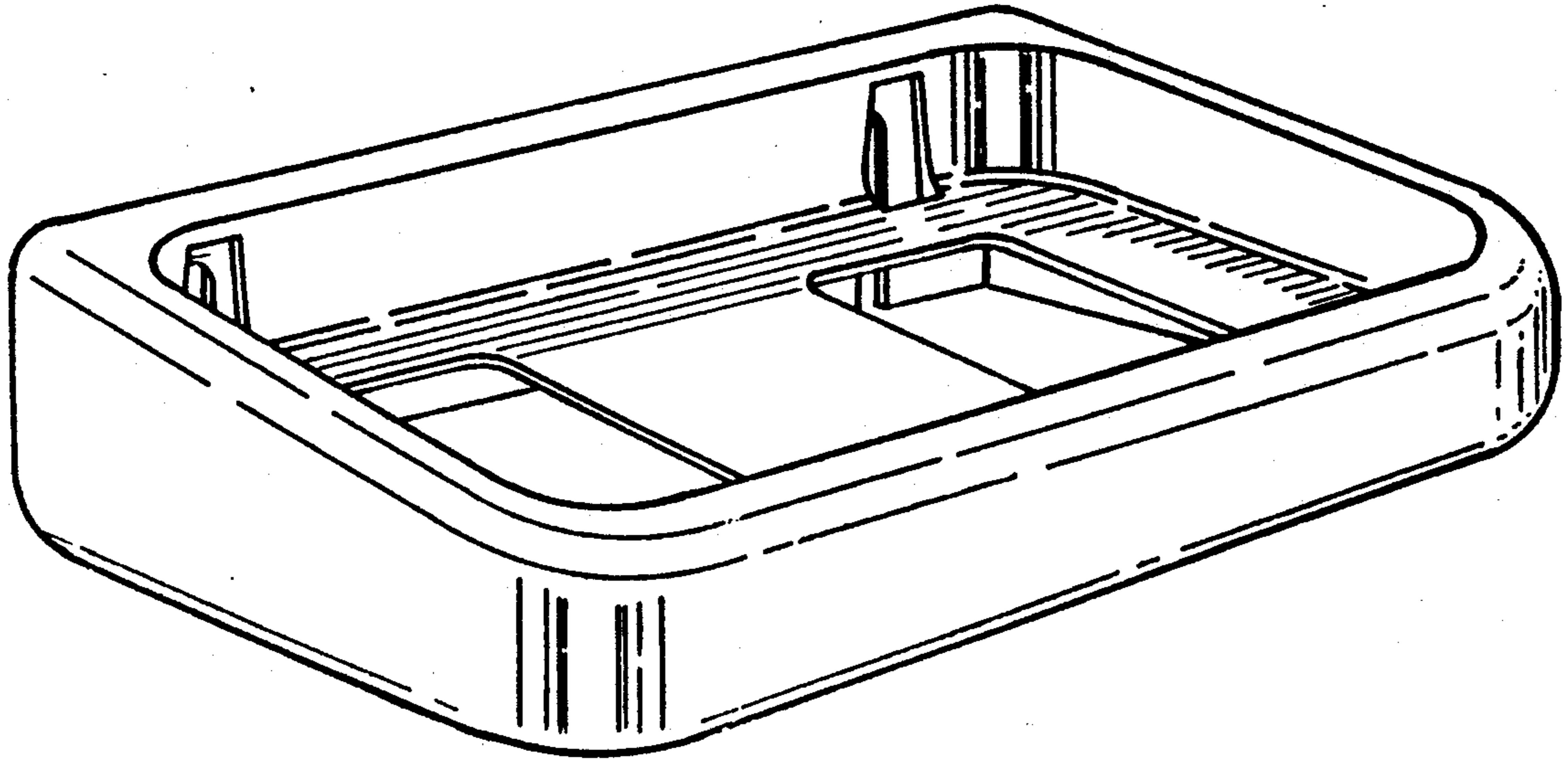
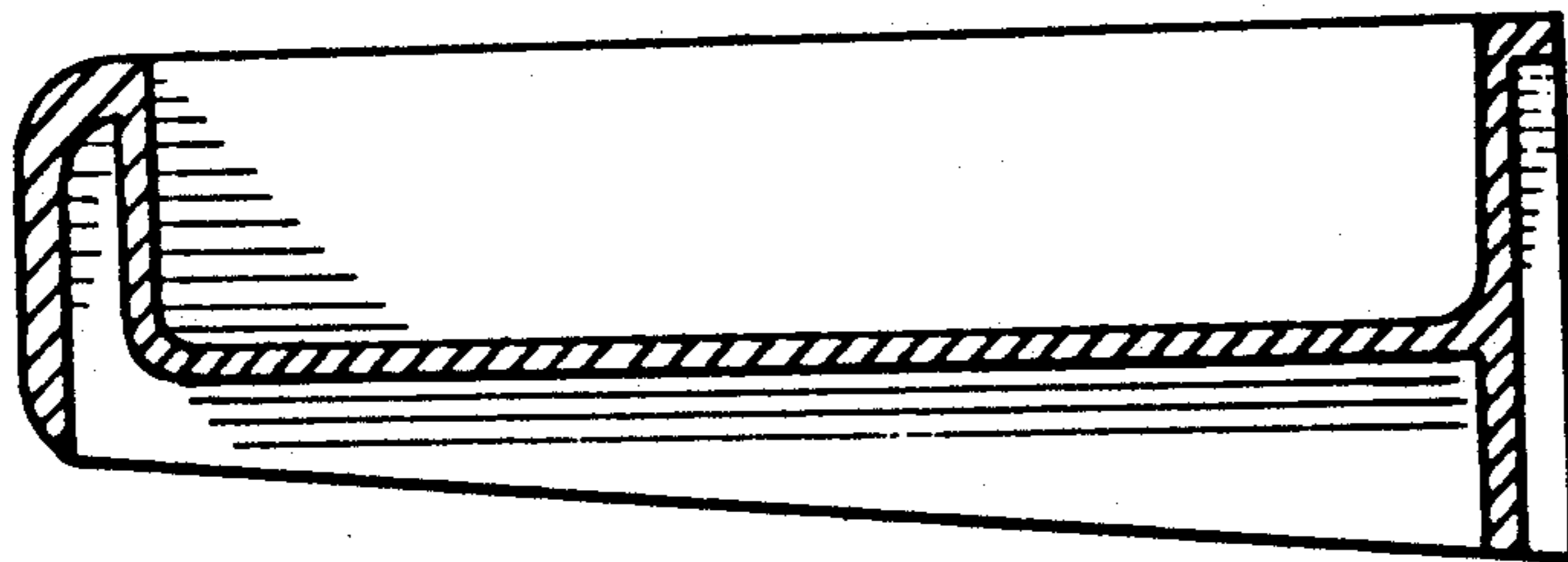


FIG 1

FIG 2



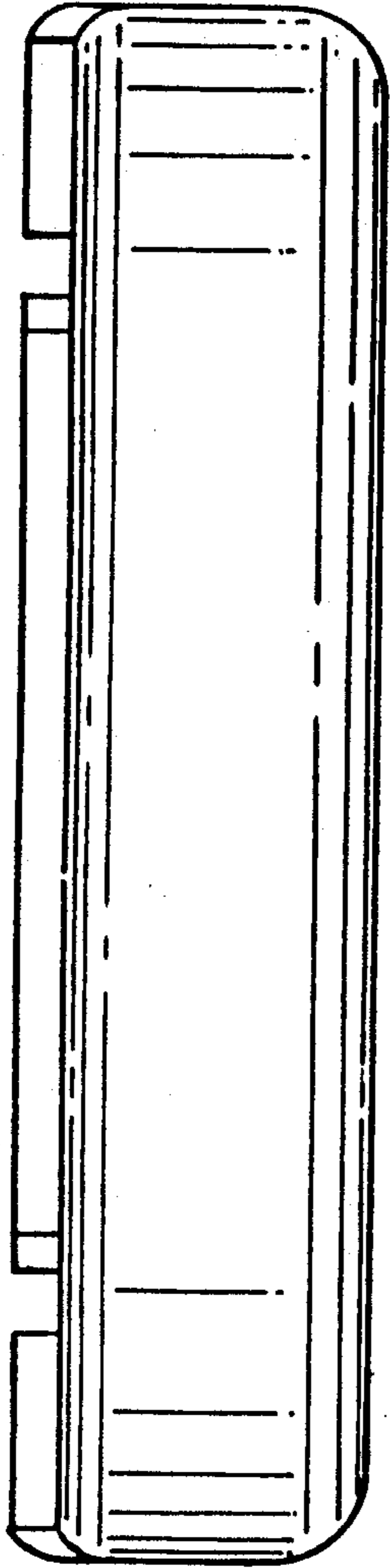


FIG 4

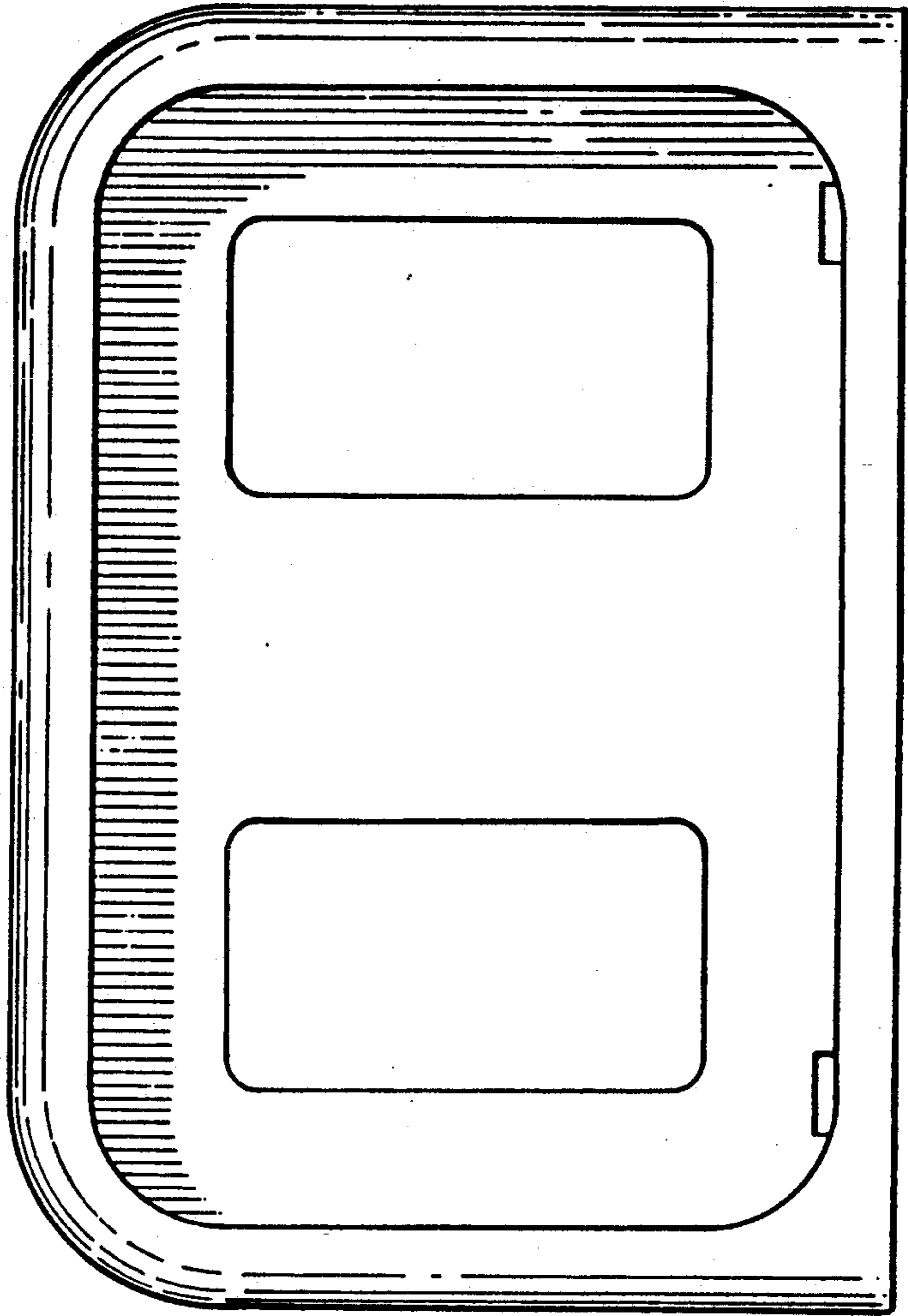
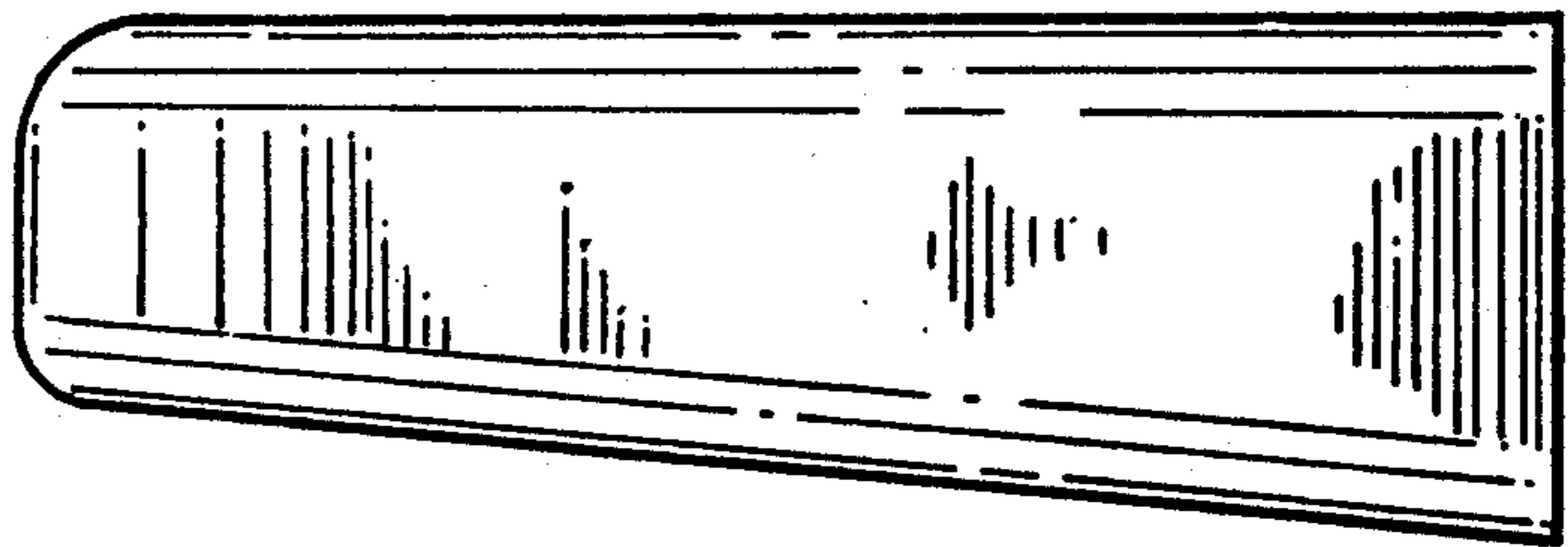


FIG 3

FIG 5



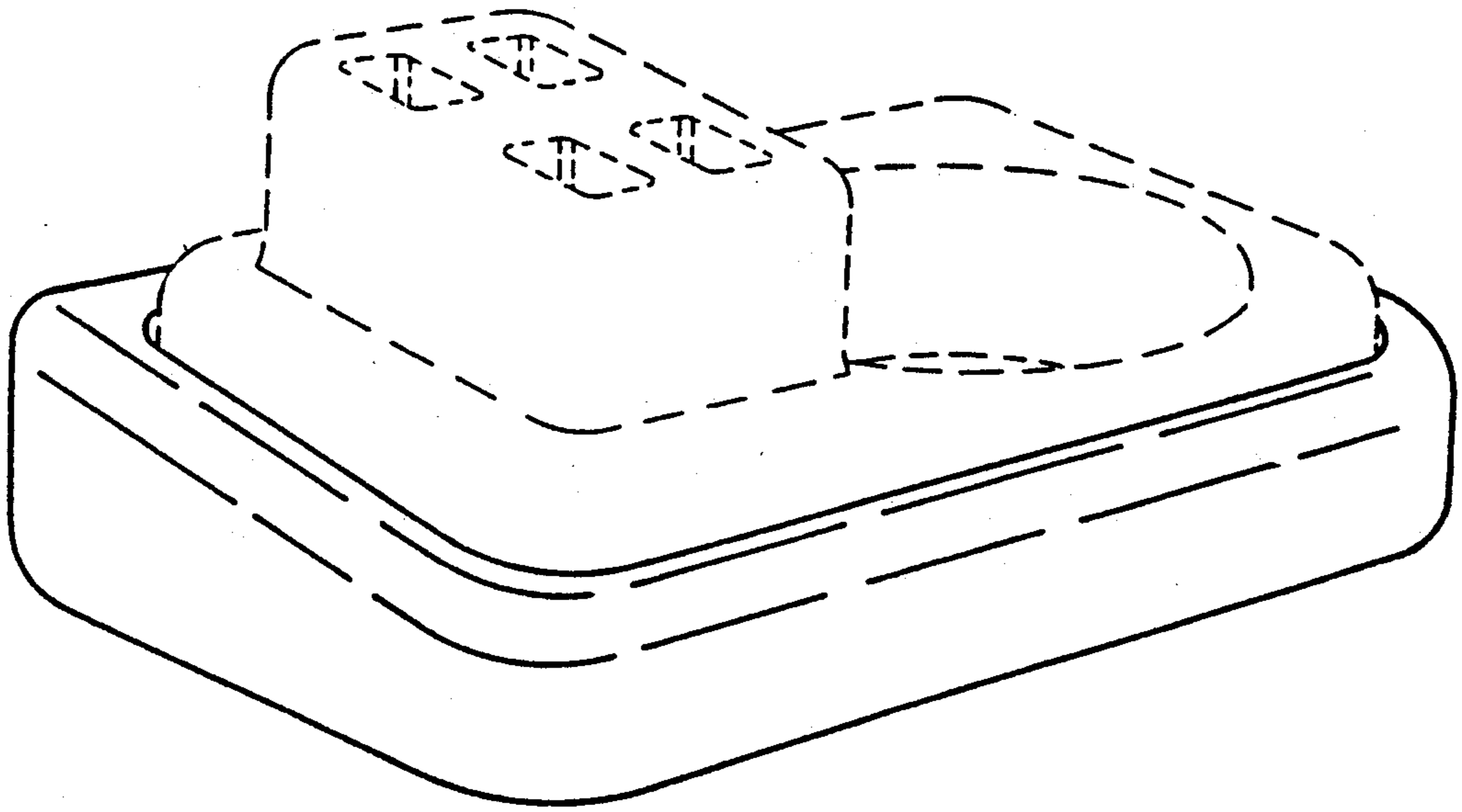


FIG. 6

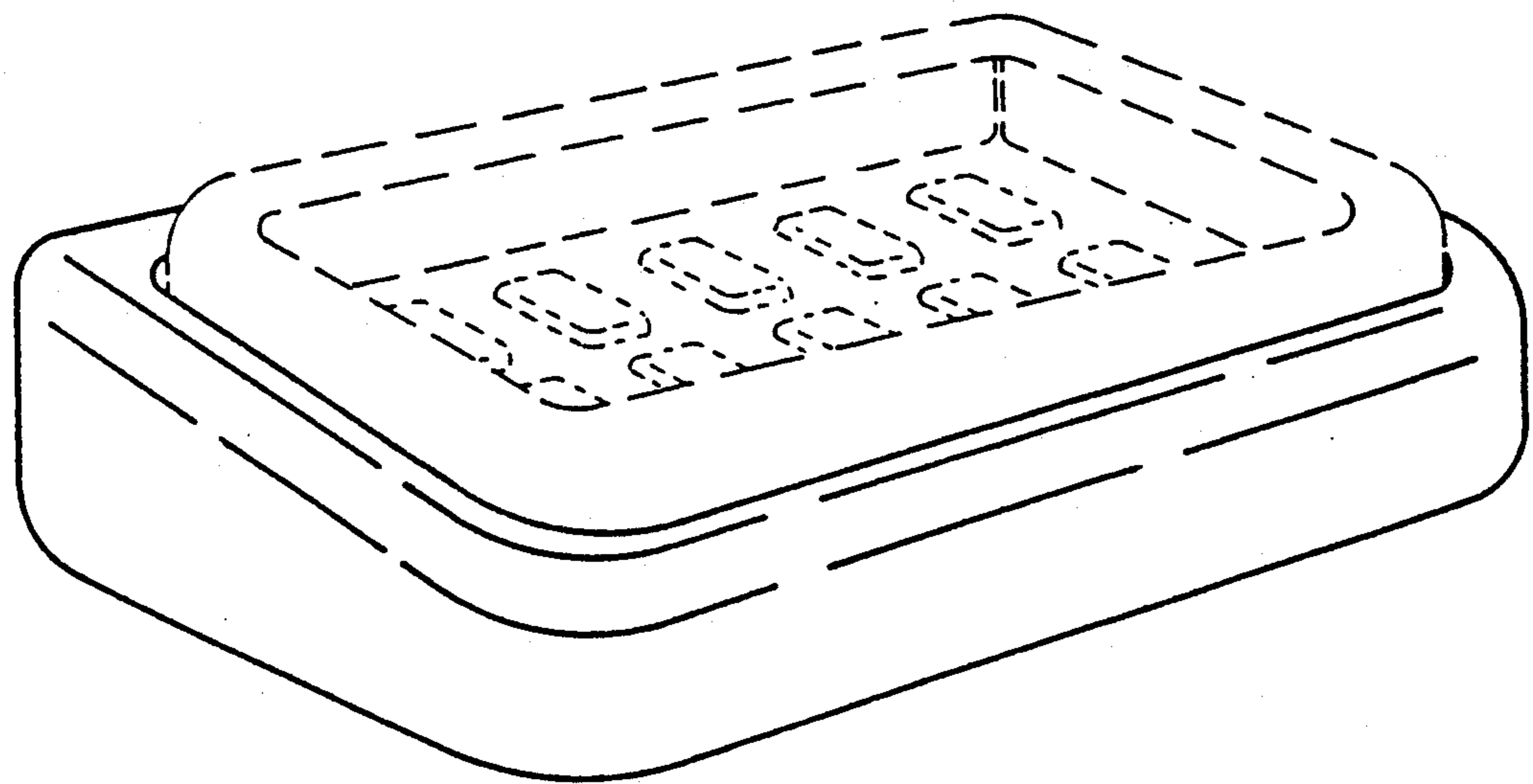


FIG. 7